

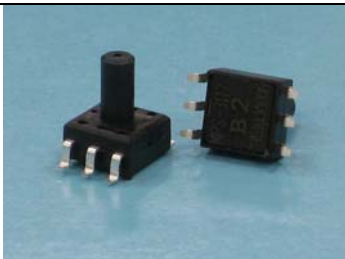
MPS-3110 series Pressure Sensor

■ Features

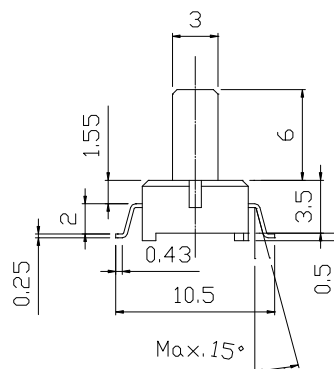
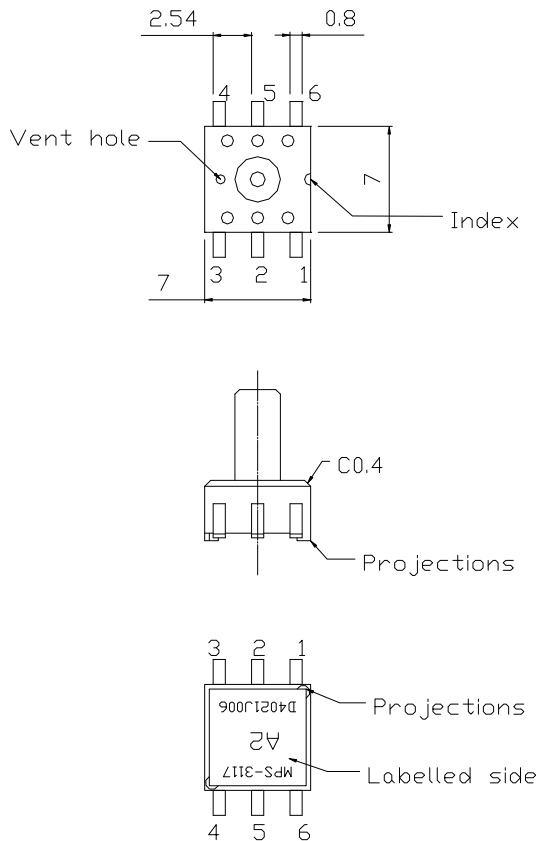
- Competitive price SMD package
- Wide operating temperature range:- 40 to +85°C
- Solid-state reliability
- Easy to Use
- Easily Embedded in OEM Equipment
- Gauge pressure type (1 、 5.8 、 15 、 30 、 100 PSI)

■ Applications

- Digital blood pressure meter
- Digital pressure gauges
- Environmental monitoring
- Consumer & sports
- Medical instrumentation & monitoring
- Disposable blood pressure sensor

Pressure type	Gauge
	MPS-3110 series
Model	

■ Outline dimensions

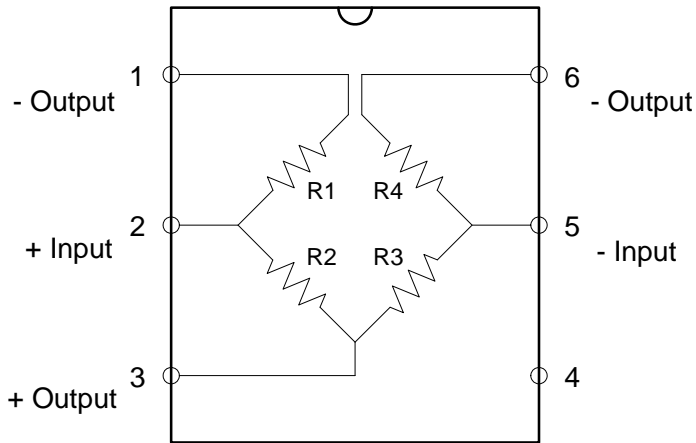


Unit: mm

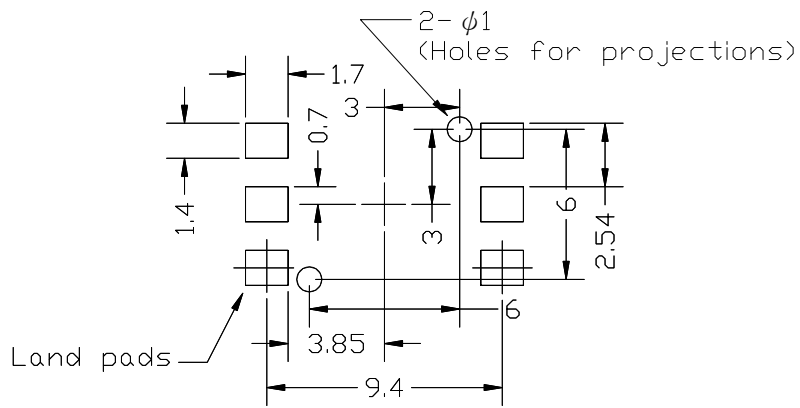
■ Specifications

Parameter	Min	Typ	Max	Units	Notes
General					
Pressure Range	1 · 5.8 · 15 · 30 · 100			PSIG	40 KPaG
Maximum Overpressure			2X		Rated pressure
Operating Temperature Range	-40		85	°C	-40°F ~+185°F
Storage Temperature Range	-40		125	°C	-40°F ~+257°F
Operating humidity	15		85	% RH	No condensation
Media Compatibility	Clean, dry air & noncorrosive gases				
Electrical performance⁽¹⁾					
Excitation voltage	2	5	15	Vdc	
Excitation current					(5)
3.3kOhm (MPS-3113)	0.6	1.5	4.5	mA	
5kOhm (MPS-3117 · MPS-3118)	0.4	1	3		
Bridge resistance					
3.3kOhm (MPS-3113)	2.7	3.3	3.9	kΩ	
5kOhm (MPS-3117 · MPS-3118)	4	5	6		
Offset Voltage	-25		25	mV	
Full Scale Span Voltage					
1 PSI (MPS-3117)	20	30	40	mV	
5.8 PSI (MPS-3117)	50	75	100		
5.8 PSI (MPS-3113 · MPS-3118)	20	45	70		
15 PSI (MPS-3117)	130	170	210		
15 PSI (MPS-3113 · MPS-3118)	70	100	130		
30 PSI (MPS-3118)	80	110	140		
100 PSI (MPS-3118)	70	120	170		
Linearity					
1 PSI	-0.7	0.15	0.7	% Span	(2)
5.8, 15, 30, 100 PSI	-0.3	0.05	0.3		
Temperature Coefficient of Zero Offset					
1 PSI	-0.22		0.22	% Span/°C	(3)
5.8, 15, 30, 100 PSI	-0.08		0.08		
Temperature Coefficient of Span	-0.16	-0.21 ⁽⁴⁾	-0.26	%Span/°C	Const. Voltage excitation (3)
	-0.05	0.025 ⁽⁵⁾	0.05		Const. Current excitation (3)
Temperature Coefficient of Resistance	0.17	0.2	0.23	%/°C	(3)
Notes :					
1. Unless otherwise specified, measurements were taken with a supply voltage of 5 Vdc at a temperature of 25±3°C and humidity ranging from 25% ~85% .					
2. Best fit straight line.					
3. Between 0°C and 50°C. Temperature coefficients are typical values.					
4. Measured only with constant voltage excitation (5V) .					
5. Measured only with constant current excitation (1mA for 5kOhm sensor ; 1.5mA for 3.3kOhm sensor) .					
Metrodyne Microsystem Corp. reserves the right to make changes to the product specification in this publication.					

■ Terminal connection diagram



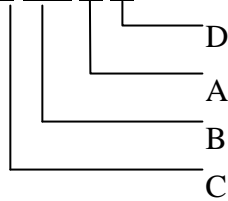
■ Recommended footprint



Unit:mm

■ **Ordering information**

MPS-3 1 1 7-006 G A



A	Pressure type	B	Pressure range
G	Gauge	001	1 PSI
		006	5.8 PSI
		015	15 PSI
		030	30 PSI
		100	100 PSI
C		D	
3	3.3kOhm	C	Plastic cover
7	High sensitivity		
8	Low sensitivity		

Part No.	Pressure type	Pressure range	Feature	Note
MPS-3117-001GC	Gauge	1 PSI	5kOhm	Plastic cover
MPS-3113-006GC	Gauge	5.8 PSI	3.3kOhm	Plastic cover
MPS-3117-006GC	Gauge	5.8 PSI	5kOhm	High sensitivity
MPS-3118-006GC	Gauge	5.8 PSI	5kOhm	Plastic cover
MPS-3113-015GC	Gauge	15 PSI	3.3kOhm	Plastic cover
MPS-3117-015GC	Gauge	15 PSI	5kOhm	High sensitivity
MPS-3118-015GC	Gauge	15 PSI	5kOhm	Plastic cover
MPS-3118-030GC	Gauge	30 PSI	5kOhm	Plastic cover
MPS-3118-100GC	Gauge	100 PSI	5kOhm	Plastic cover

 **Metrodyne Microsystem Corp.**

10, Prosperity Rd. II, Science-Based Industrial Park, Hsin-Chu 300, Taiwan, R.O.C.

Tel:886-3-5632161 Fax:886-3-5632509

E-mail:sales@metrodyne.com.tw <http://www.metrodyne.com.tw>

X-ON Electronics

Largest Supplier of Electrical and Electronic Components

Click to view similar products for [Board Mount Pressure Sensors](#) category:

Click to view products by [Metrodyne](#) manufacturer:

Other Similar products are found below :

[80527-25.0H2-05](#) [80541-B00000150-01](#) [80541-B00000200-05](#) [80554-00700100-05](#) [80568-00300050-01](#) [81618-B00000040-01](#) [81739-B00000900-01](#) [81807-B00000020-01](#) [81808-B00000150-14](#) [82903-B00000020-01](#) [93.631.4253.0](#) [93.731.4353.0](#) [93.932.4553.0](#) [136PC150G2](#) [136PC15A1](#) [142PC95AW71](#) [142PC05DW70](#) [MPXV2202DPT1](#) [15PSI-G-4V](#) [1805-01A-L0N-B](#) [2000317-1](#) [26PCBKT](#) [26PCCFA6D26](#) [26PCCFS2G](#) [26PCCVA6D](#) [93.632.7353.0](#) [93.731.3653.0](#) [93.931.4853.0](#) [93.932.4853.0](#) [SCDA120-XSC05DC](#) [SP370-23-156-0](#) [185PC30DH](#) [192992-0059](#) [20INCH-G-MV-MINI](#) [26PCAFJ3G](#) [26PCAFS2G54](#) [26PCCEP5G24](#) [26PCJEU5G19](#) [30INCH-D1-MV-MINI](#) [ASCX15AN-90](#) [TSCSAAN001PDUCV](#) [DCAL401DN](#) [DCAL401GN](#) [XZ202798SSC](#) [XZ203676HSC](#) [SP370-25-116-0](#) [81717-00000050-05](#) [81794-B00001200-01](#) [HSCDLNN100PGAA5](#) [81618-B00000040-05](#)