

Data Sheet

PR066xxVBBN

Page 1/5

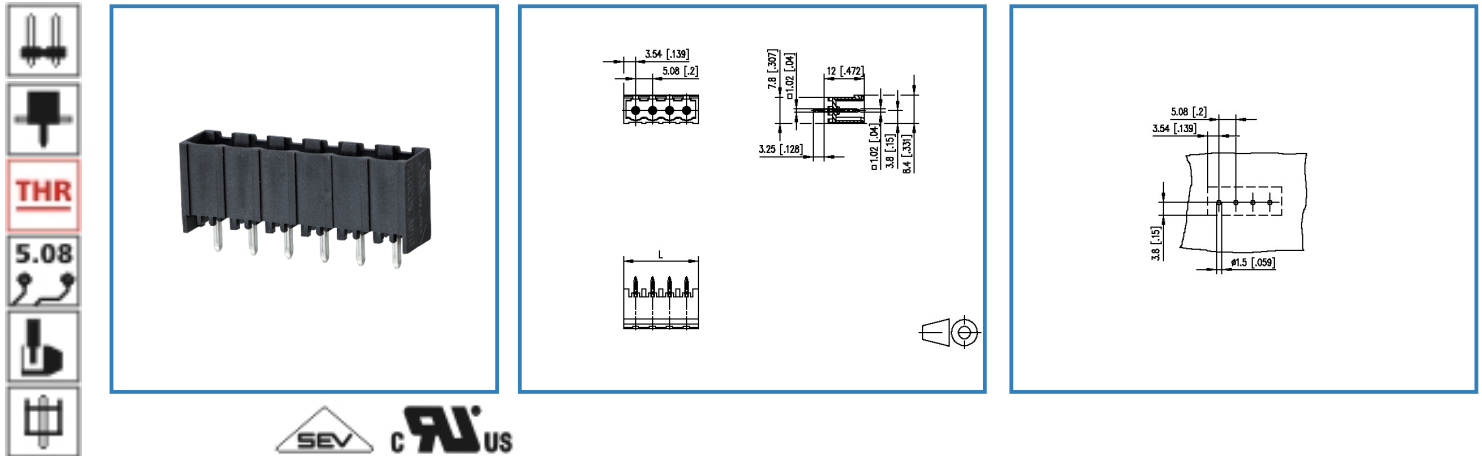
P/N

311791xx

xx=number of poles

2013/12/05

Illustration



see enlarged drawing at the end of the document

Product specification

- pin header, THR solderable
- centerline 5.08 mm, direction of connection vertical 0°
- closed ends
- color black
- Tape & Reel packaging
- codeable
- Connection data

cRUUS V / A 300 / 15

SEV 13.5 A / 320 V / 4 kV / 3 / IEC 61984



Data Sheet

PR066xxVBBN

Page 2/5

P/N

311791xx

xx=number of poles



2013/12/05

Technical Data

General Data

Solder pin length	3.25 mm		
min. number of poles	2		
max. number of poles	12		
Insulating material class	CTI 600		
clearance/creepage dist.	4.08 mm		
protection category	IP 00		
Overvoltage category	III	III	II
Pollution degree	3	2	2
Rated voltage	320 V	800 V	800 V
Rated test voltage	4 kV	4.0 kV	4 kV

Connection data

 V / A	300 / 15		
	13.5 A / 320 V / 4 kV / 3 / IEC 61984		

Material

insulating material	PA66/6T
flammability class	V0
contact pin material	CuMg
contact pin surface	Cu + Sn

Climatic properties

upper limit temperature	105 °C
lower limit temperature	-40 °C

General

solderability	For THR products acc. to IPC/JEDEC J-STD-020D-MSL 1 For THT products max. 260 °C / 10 s
Tolerance	ISO 2768 -mH

Data Sheet

PR066xxVBBN

Page 3/5

P/N

311791xx

xx=number of poles

2013/12/05

Matching Part to

P/N	Product name
312501	RP016xxSBLC Typ 250

Accessories

P/N	Product name
700024-01-9	700024

Data Sheet

PR066xxVBBN

Page 4/5

P/N

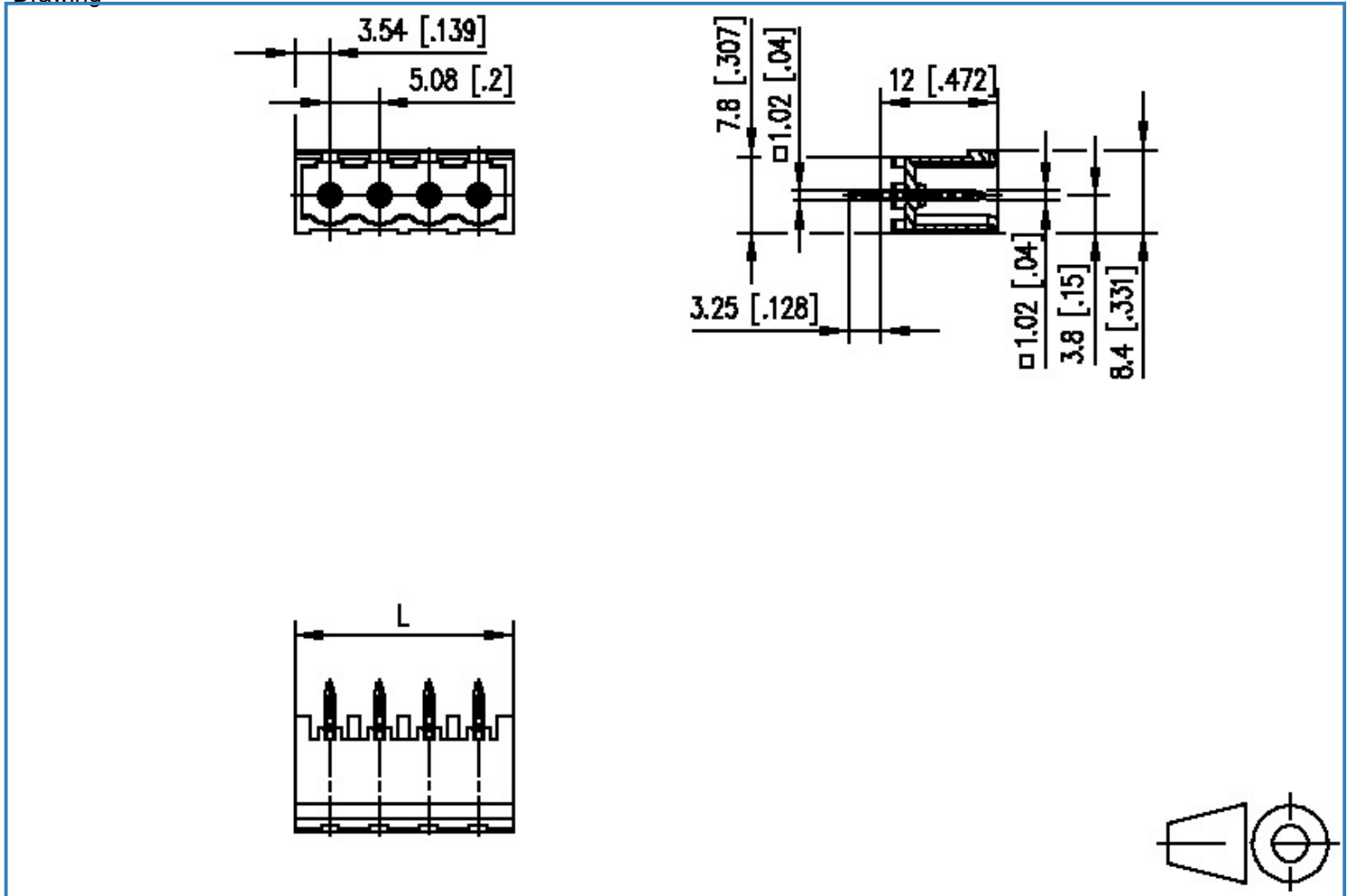
311791xx

xx=number of poles

2013/12/05

Illustration

Drawing



$L = (\text{pole size} - 1) \times \text{centerline} + 7.08 [0.279]$



Data Sheet

PR066xxVBBN

Page 5/5

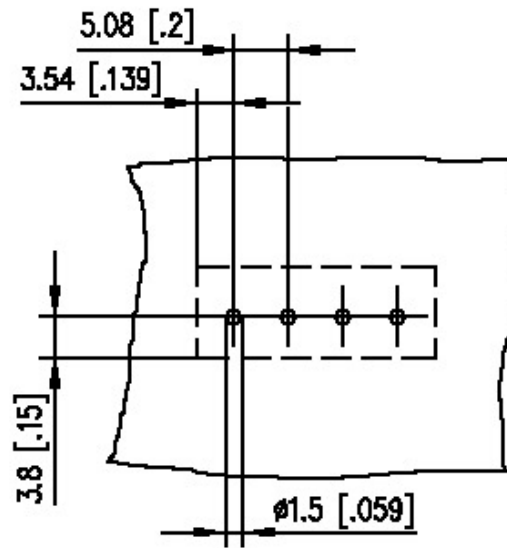
P/N

311791xx

xx=number of poles

2013/12/05

PCB Layout



X-ON Electronics

Largest Supplier of Electrical and Electronic Components

Click to view similar products for [Metz manufacturer](#):

Other Similar products are found below :

[142M4D95050](#) [AST0410604](#) [31249103](#) [ASP0631006](#) [142M2X15020](#) [4897-227G](#) [142M2X19020](#) [142M2X25005](#) [ASP0440222](#) [1108861321](#)
[1108311319](#) [1108501319](#) [11089313](#) [142M2X1C050](#) [832WC-3L](#) [130920-E](#) [150240C30610E](#) [11027605](#) [1108841319](#) [110304412004](#)
[1108831326](#) [15024AD206-E](#) [150240C30310S](#) [135015-SSC-E](#) [1528SBGT19E](#) [1401110012KE](#) [142M2X15010](#) [31189102](#) [11085813](#) [810-500](#)
[31336104](#) [ASP0430922](#) [AST0450504](#) [SP06502VBNF](#) [142M1D11100](#) [142M4D15100](#) [142M1D19020](#) [31213102](#) [31251104](#) [31359104](#)
[AST0820406](#) [834B-375ML](#) [8DG-30-1](#) [841ER-1.17L](#) [31009105](#) [31020205](#) [31024102](#) [31027103](#) [ASP0251204](#) [1308455055-E](#)