

Data Sheet

PR033xxVBHC

Page 1/5

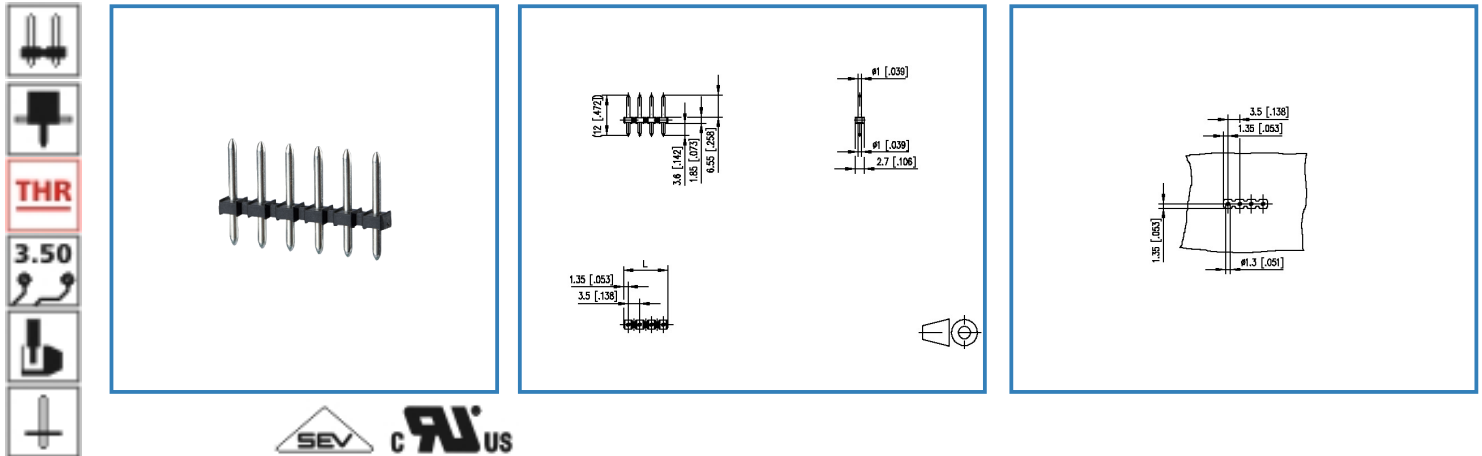
P/N

312241xx

xx=number of poles

2013/12/05

Illustration



see enlarged drawing at the end of the document

Product specification

- pin header, THR solderable
- centerline 3.50 mm, direction of connection vertical 0°
- fittable without loss of poles
- color black
- Tape & Reel packaging
- Connection data

cRUUS V / A 300 / 15

SEV 6 A / 200 V / 2.5 kV / 3 / IEC 61984

Data Sheet



PR033xxVBHC

Technical Data

General Data

| | | | |
|---------------------------|---------|--------|--------|
| Solder pin length | 3.6 mm | | |
| min. number of poles | 2 | | |
| max. number of poles | 24 | | |
| Insulating material class | CTI 600 | | |
| clearance/creepage dist. | 2.5 mm | | |
| protection category | IP 00 | | |
| Overvoltage category | III | III | II |
| Pollution degree | 3 | 2 | 2 |
| Rated voltage | 200 V | 500 V | 500 V |
| Rated test voltage | 2.5 kV | 2.5 kV | 2.5 kV |

Connection data

| | | | |
|---|--------------------------------------|--|--|
|  V / A | 300 / 15 | | |
|  | 6 A / 200 V / 2.5 kV / 3 / IEC 61984 | | |

Material

| | |
|----------------------|---------|
| insulating material | PA46 |
| flammability class | V0 |
| contact pin material | CuZn |
| contact pin surface | Ni + Ag |

Climatic properties

| | |
|-------------------------|--------|
| upper limit temperature | 105 °C |
| lower limit temperature | -40 °C |

General

| | |
|---------------|---|
| solderability | For THR products acc. to IPC/JEDEC J-STD-020D-MSL 1 For THT products max. 260 °C / 10 s |
| Tolerance | ISO 2768 -mH |



Data Sheet

PR033xxVBHC

Page 3/5

P/N

312241xx

xx=number of poles

2013/12/05

Matching Part to

P/N

Product name

311661

RP023xxHBWC Typ 166



METZ CONNECT GmbH

Im Tal 2 | 78176 Blumberg | Germany | www.metz-connect.com

Phone +49 7702 533-0 | Fax +49 7702 533-433

Montageanleitung / Mounting instruction siehe / see www.metz-connect.com

Members of METZ CONNECT



Data Sheet

PR033xxVBHC

Page 4/5

P/N

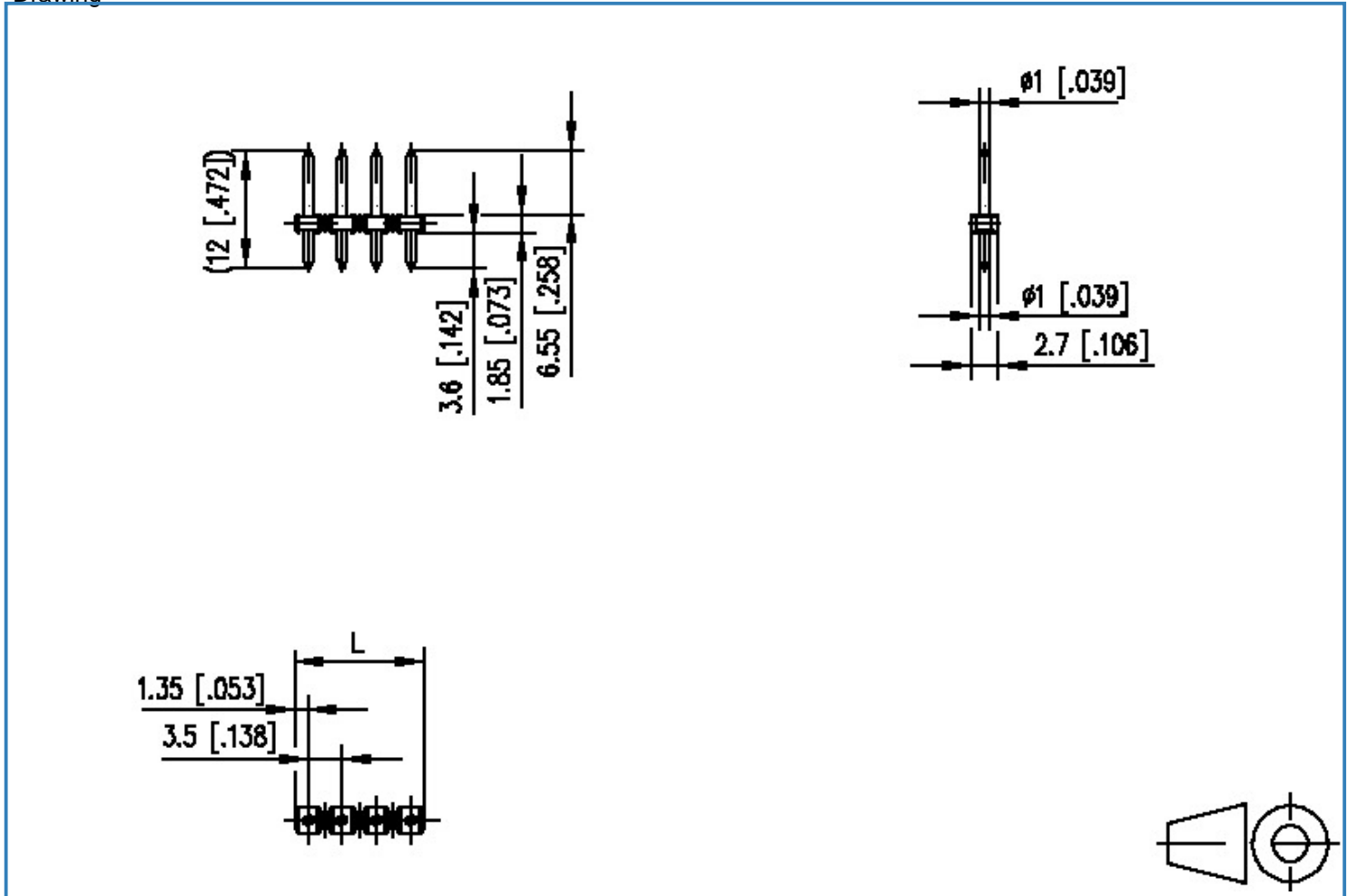
312241xx

xx=number of poles

2013/12/05

Illustration

Drawing



$L = (\text{pole size} - 1) \times \text{centerline} + 2.7 [0.106]$



Data Sheet

PR033xxVBHC

Page 5/5

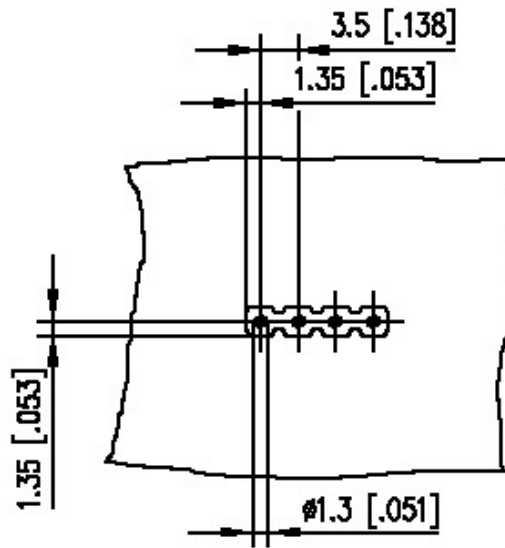
P/N

312241xx

xx=number of poles

2013/12/05

PCB Layout



X-ON Electronics

Largest Supplier of Electrical and Electronic Components

Click to view similar products for [Headers & Wire Housings](#) category:

Click to view products by [Metz](#) manufacturer:

Other Similar products are found below :

[95000-104TRLF](#) [10135584-644402LF](#) [DF62W-EP2022PCA](#) [95000-106TRLF](#) [DF62W-2022SCA](#) [DF62W-EP2022PC](#) [2203348](#) [DF62W-2022SC](#) [1084018](#) [1029039](#) [1084017](#) [802-10-012-10-002000](#) [1112640](#) [1112639](#) [891-007-9SS-BST1T](#) [000-34000](#) [0008550134](#) [0009482033](#) [0009507031](#) [57102-F02-18ULF](#) [57102-S06-03LF](#) [57202-S52-04LF](#) [PCN6-15S-2.5E](#) [0039019024](#) [58102-G61-06LF](#) [582553-1](#) [0009485154](#) [0009508121](#) [0022285053](#) [0050291907](#) [018731A](#) [LY20-4P-DT1-P1E-BR](#) [02.125.8002.8](#) [60101931](#) [60598-1 \(Cut Strip\)](#) [M1625-3R/100](#) [61062-3](#) [61082-181009](#) [CSU011177004](#) [636-1427](#) [638009-1](#) [641938-9](#) [641991-4](#) [644168-1](#) [644827-2](#) [647662-1](#) [65039-019ELF](#) [65692-001LF](#) [65781-018](#) [65781-047](#)