

Data Sheet

PW063xxVBBN

Page 1/5

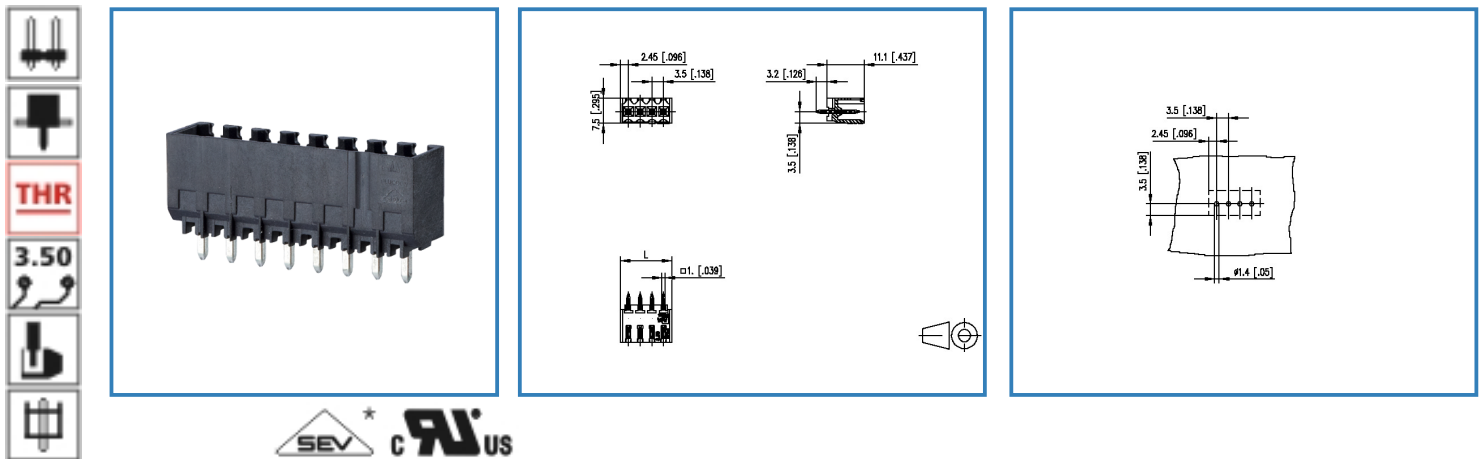
P/N

315241xx

xx=number of poles

2014/01/28

Illustration



see enlarged drawing at the end of the document

Product specification

- pin header, THR solderable
- centerline 3.50 mm, direction of connection vertical 0°
- closed ends
- color black
- Tape & Reel packaging
- with alternative face, codeable
- Connection data

CULUS V / A 300 / 10

SEV 10 A / 130 V / 2.5 kV / 3 / IEC 61984



Data Sheet

PW063xxVBBN

Page 2/5

P/N

315241xx

xx=number of poles



2014/01/28

Technical Data

General Data

Solder pin length	3.2 mm		
min. number of poles	2		
max. number of poles	24		
Insulating material class	CTI 400		
clearance/creepage dist.	2.48 mm		
protection category	IP 10		
Overvoltage category	III	III	II
Pollution degree	3	2	2
Rated voltage	160 V	320 V	320 V
Rated test voltage	2.5 kV	2.5 kV	2.5 kV

Connection data

 V / A	300 / 10
	10 A / 130 V / 2.5 kV / 3 / IEC 61984

Material

insulating material	PA46
flammability class	V0
contact pin material	CuMg
contact pin surface	Cu + Sn

Climatic properties

upper limit temperature	105 °C
lower limit temperature	-40 °C

General

solderability	Acc. to IPC/JEDEC J-STD-020D-MSL 1
Tolerance	ISO 2768 -mH

Data Sheet

PW063xxVBNN

Page 3/5

P/N

315241xx

xx=number of poles

2014/01/28

Matching Part to

P/N	Product name
315131	RW043xxHBLD Typ 513
315141	RW043xxHBLC Typ 514
FW143XXVBFC	FW143xxVBFC
SW063XXVBNN	SW063xxVBNN

Accessories

P/N	Product name
700268-01-0 (on request)	F_Kodier sw
700268-0132 (on request)	F_Kodier sw
700268-0194 (on request)	F_Kodier sw

Data Sheet

PW063xxVBBN

Page 4/5

P/N

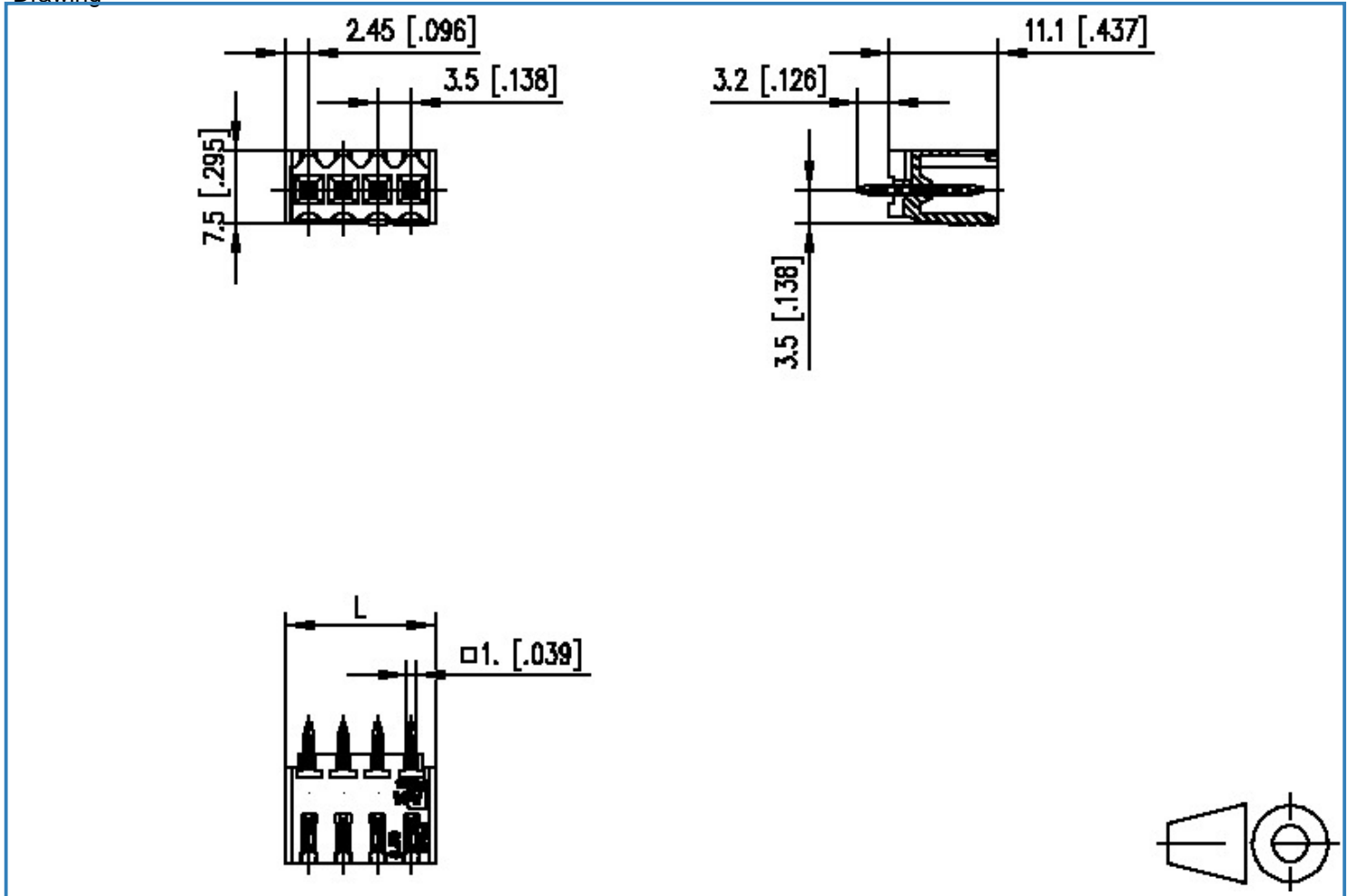
315241xx

xx=number of poles

2014/01/28

Illustration

Drawing



$L = (\text{pole size} - 1) \times \text{centerline} + 4.9 [0.193]$



Data Sheet

PW063xxVBBN

Page 5/5

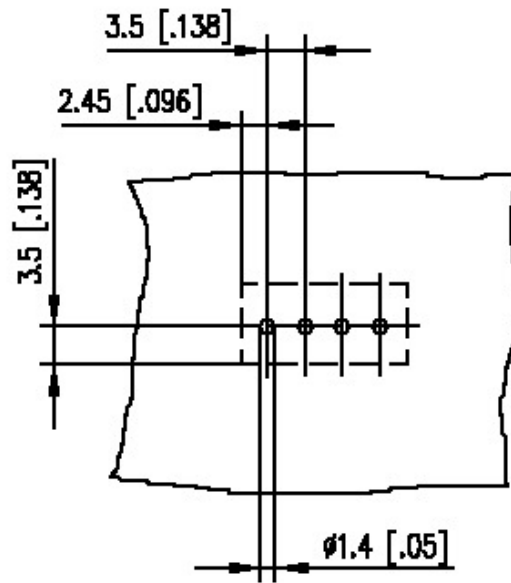
P/N

315241xx

xx=number of poles

2014/01/28

PCB Layout



X-ON Electronics

Largest Supplier of Electrical and Electronic Components

Click to view similar products for [Pluggable Terminal Blocks](#) category:

Click to view products by [Metz](#) manufacturer:

Other Similar products are found below :

[57.510.0053](#) [MC 1.5/ 6-ST-3.5 GY AU](#) [ET02015000J0G](#) [734-104](#) [734-302](#) [860505](#) [860516](#) [860810](#) [GBPACX-12](#) [93.731.4953.0](#) [PV05-5,08-K](#) [PVP03-3,50](#) [PVP04-3,50](#) [PVS02-5,00](#) [1-1986160-3](#) [1377680000](#) [1531000000](#) [1546228-5](#) [ELFP03110](#) [ELFT07250](#) [ELVD12100](#) [ELVF09400](#) [ELVP03100](#) [ELXH071G0E](#) [1700101](#) [1700410](#) [1702246](#) [1705229](#) [1710175](#) [1714537](#) [1717806](#) [1719600](#) [1728941](#) [1734692](#) [1734795](#) [1740291](#) [1740628](#) [1740990](#) [1746952](#) [1750207](#) [1752865](#) [1754115](#) [1754144](#) [1756913](#) [1760051](#) [1760336](#) [1765111](#) [1776388](#) [1777701](#) [1783410](#)