

Data Sheet

SP046xxVBNC

Page 1/4

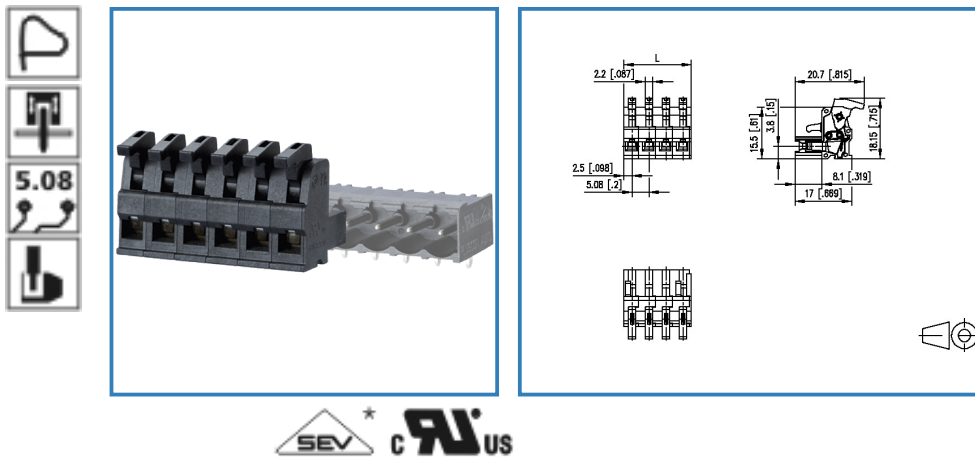
P/N

ASP046xx

xx=number of poles

2014/07/01

Illustration



see enlarged drawing at the end of the document

Product specification

- spring clamp terminal block, pluggable
- centerline 5.08 mm, direction of connection vertical 0°
- fittable without loss of poles
- color black
- eccentric lever, wire entry uncodeable side parallel to plug direction
- Connection data

CRIUS V / A / AWG 300 / 10 / 28 - 16

SEV 10 A / 250 V / 4 kV / 3 / IEC 61984 / 0.08 - 1 mm²

Data Sheet



SP046xxVBNC

Technical Data

General Data

min. number of poles	2		
max. number of poles	24		
Insulating material class	CTI 400		
clearance/creepage dist.	4 mm		
protection category	IP 20		
Overvoltage category	III	III	II
Pollution degree	3	2	2
Rated voltage	250 V	500 V	500 V
Rated test voltage	4.0 kV	4 kV	4.0 kV

Connection data

 V / A / AWG	300 / 10 / 28 - 16
	10 A / 250 V / 4 kV / 3 / IEC 61984 / 0.08 - 1 mm ²

Material

insulating material	PA46
flammability class	V0

Climatic properties

upper limit temperature	105 °C
lower limit temperature	-40 °C

General

Tolerance	ISO 2768 -mH
-----------	--------------



Data Sheet

SP046xxVBNC

Page 3/4

P/N

ASP046xx

xx=number of poles

2014/07/01

Matching Part

P/N	Product name
311781	PR066xxHBBN Typ 178
314781	PR066xxHBEC Typ 478
312921	PT106xxHGDN Typ 292
312901	PT106xxVGDN Typ 290
312881	PT166xxHGDN Typ 288
312861	PT166xxVGDN Typ 286
312301	PT116xxHBBN Typ 230
312291	PT116xxHBEC Typ 229
312201	PT116xxVBBN Typ 220
312191	PT116xxVBEC Typ 219
314791	PR066xxVBEC Typ 479

Matching Part to

P/N	Product name
312861	PT166xxVGDN Typ 286
312881	PT166xxHGDN Typ 288

Accessories

P/N	Product name
700025-01-9	700025



Data Sheet

SP046xxVBNC

Page 4/4

P/N

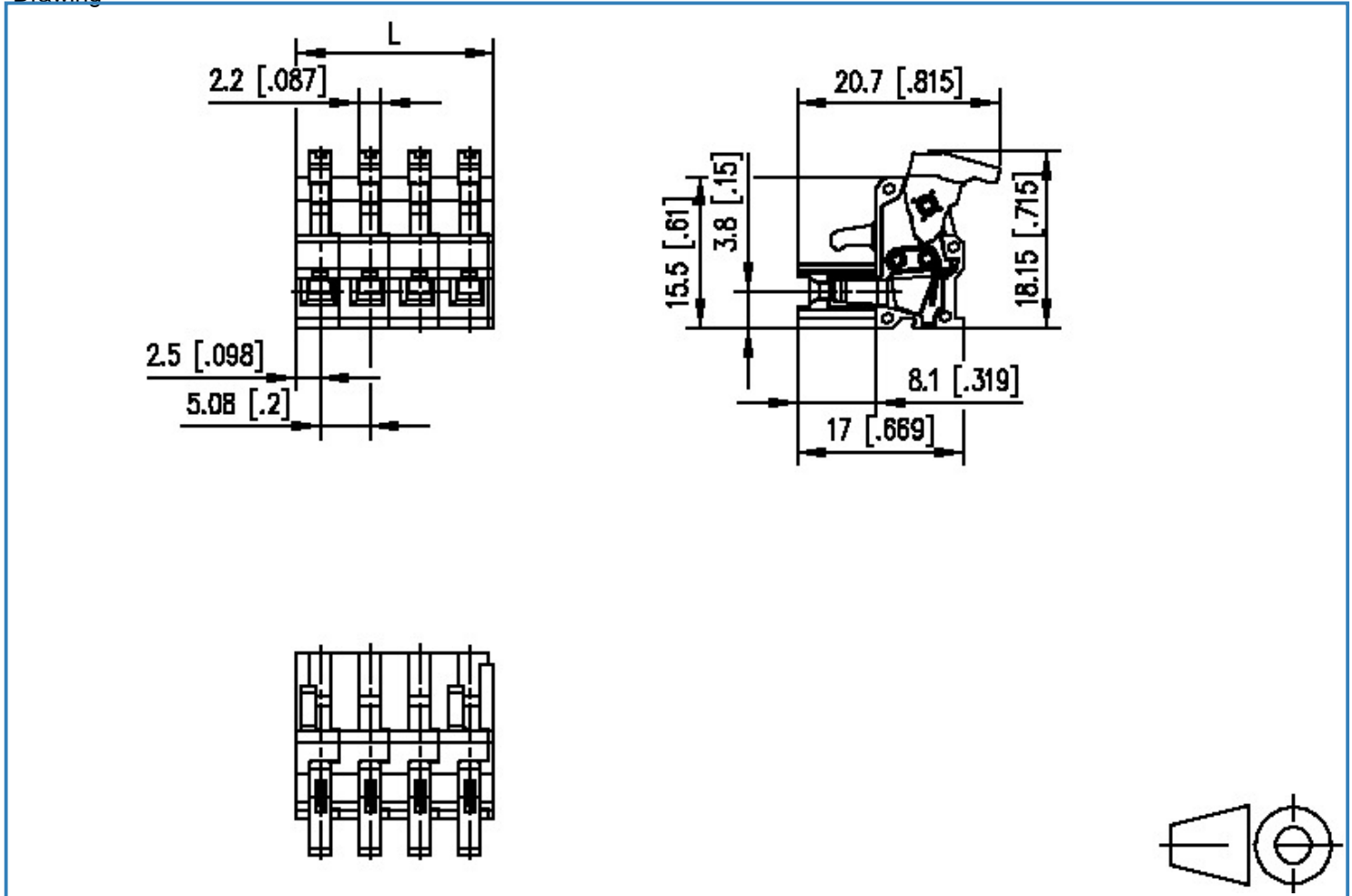
ASP046xx

xx=number of poles

2014/07/01

Illustration

Drawing



$L = (\text{pole size} - 1) \times \text{centerline} + 5 [0.197]$



X-ON Electronics

Largest Supplier of Electrical and Electronic Components

Click to view similar products for [metz manufacturer](#):

Other Similar products are found below :

[ASP0631006](#) [142M1D11100](#) [142M2X19020](#) [142M2X25005](#) [AST0820406](#) [1108861321](#) [1108311319](#) [1108501319](#) [11089313](#)
[142M2X1C050](#) [841ER-1.17L](#) [ASP0450401](#) [PT11608VBBN](#) [130920-E](#) [130924-E](#) [1108841319](#) [110304412004](#) [1108831326](#) [15024AD206-E](#)
[150240C30310S](#) [135015-SSC-E](#) [1528SBGT19E](#) [PR04302VBBN](#) [142M2X15010](#) [31189102](#) [11085813](#) [810-500](#) [31336104](#) [ASP0430922](#)
[AST0450504](#) [AST1350604](#) [SP06502VBNF](#) [31072103](#) [SP02512HDNC](#) [142M1D19020](#) [31251104](#) [31359104](#) [834B-375ML](#) [832WC-3L](#)
[31009105](#) [31020205](#) [31024102](#) [31027103](#) [ASP0251204](#) [PR01503VBVC](#) [PT11504HBBF](#) [RP01505WBWC](#) [130922-03-E](#) [150240C30610E](#)
[11027605](#)