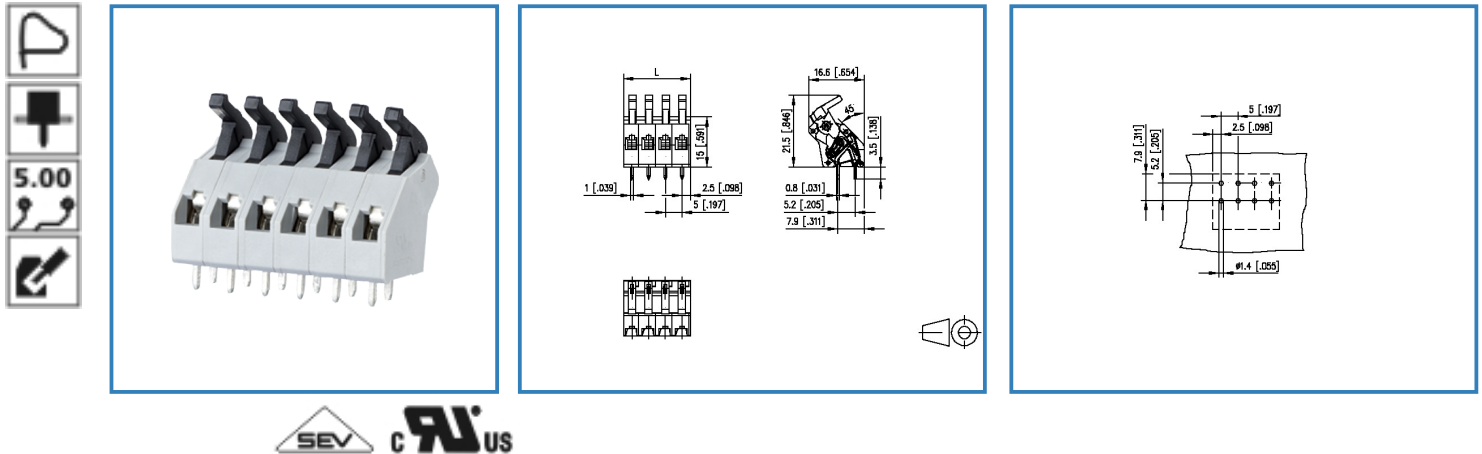


Data Sheet

ST045xxDDNC

Illustration



see enlarged drawing at the end of the document

Product specification

- spring clamp terminal block, solderable, double solder pins
- centerline 5.00 mm, direction of connection 45°
- fittable without loss of poles
- color gray
- eccentric lever
- Connection data

cRUUS V / A / AWG 300 / 13 / 28 - 14

SEV 1 mm² 250 V / 13.5 A / T60

Data Sheet

ST045xxDDNC

Page 2/4

P/N

AST045xx

xx=number of poles



2013/12/05

Technical Data

General Data

Solder pin length	3.5 mm		
min. number of poles	2		
max. number of poles	24		
Insulating material class	CTI 400		
clearance/creepage dist.	4 mm		
protection category	IP 20		
Overvoltage category	III	III	II
Pollution degree	3	2	2
Rated voltage	250 V	500 V	500 V
Rated test voltage	4.0 kV	4 kV	4.0 kV
Min. insul. strip length	6 mm		

Connection data

 V / A / AWG	300 / 13 / 28 - 14		
 1 mm ²	250 V / 13.5 A / T60		

Material

insulating material	PA46
flammability class	V0

Climatic properties

upper limit temperature	105 °C
lower limit temperature	-40 °C

General

solderability	For THR products acc. to IPC/JEDEC J-STD-020D-MSL 1 For THT products max. 260 °C / 10 s
Tolerance	ISO 2768 -mH

Data Sheet

ST045xxDDNC

Page 3/4

P/N

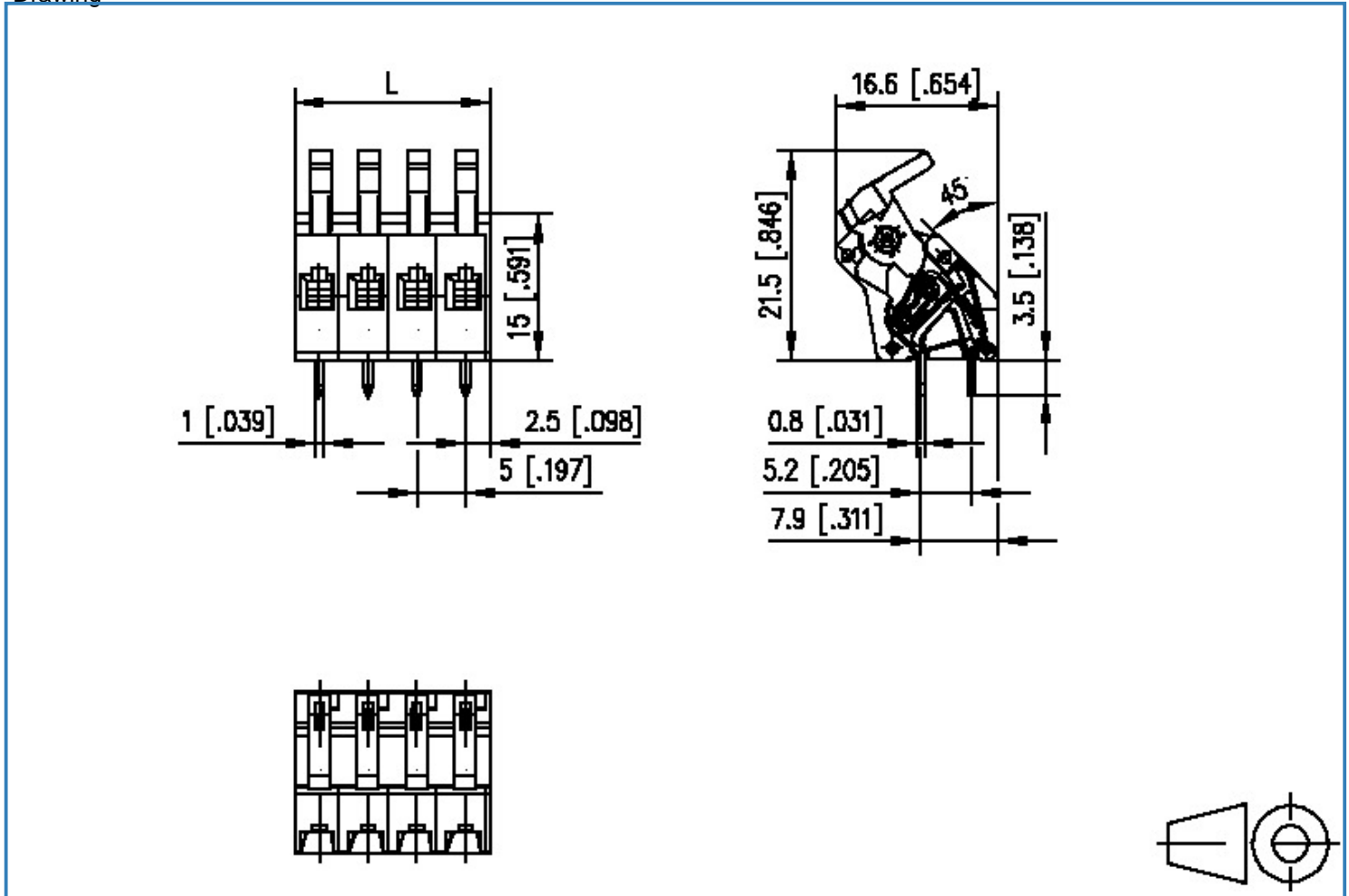
AST045xx

xx=number of poles

2013/12/05

Illustration

Drawing



$L = (\text{pole size} - 1) \times \text{centerline} + 5 [0.197]$

Data Sheet

ST045xxDDNC

Page 4/4

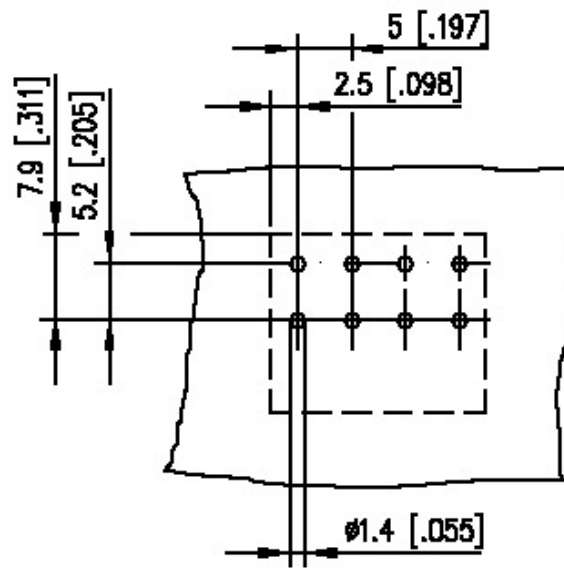
P/N

AST045xx

xx=number of poles

2013/12/05

PCB Layout



X-ON Electronics

Largest Supplier of Electrical and Electronic Components

Click to view similar products for [Metz manufacturer](#):

Other Similar products are found below :

[142M4D95050](#) [AST0410604](#) [31249103](#) [ASP0631006](#) [142M2X15020](#) [4897-227G](#) [142M2X19020](#) [142M2X25005](#) [ASP0440222](#) [1108861321](#)
[1108311319](#) [1108501319](#) [11089313](#) [142M2X1C050](#) [832WC-3L](#) [130920-E](#) [150240C30610E](#) [11027605](#) [110304412004](#) [1108831326](#)
[15024AD206-E](#) [150240C30310S](#) [135015-SSC-E](#) [1528SBGT19E](#) [1401110012KE](#) [142M2X15010](#) [31189102](#) [11085813](#) [810-500](#) [31336104](#)
[ASP0430922](#) [AST0450504](#) [SP06502VBNF](#) [142M1D11100](#) [142M4D15100](#) [142M1D19020](#) [31213102](#) [31251104](#) [31359104](#) [AST0820406](#)
[834B-375ML](#) [8DG-30-1](#) [841ER-1.17L](#) [31009105](#) [31020205](#) [31024102](#) [31027103](#) [ASP0251204](#) [1308455055-E](#) [130922-03-E](#)