

# Data Sheet

## SR99S01VBNN0003 green

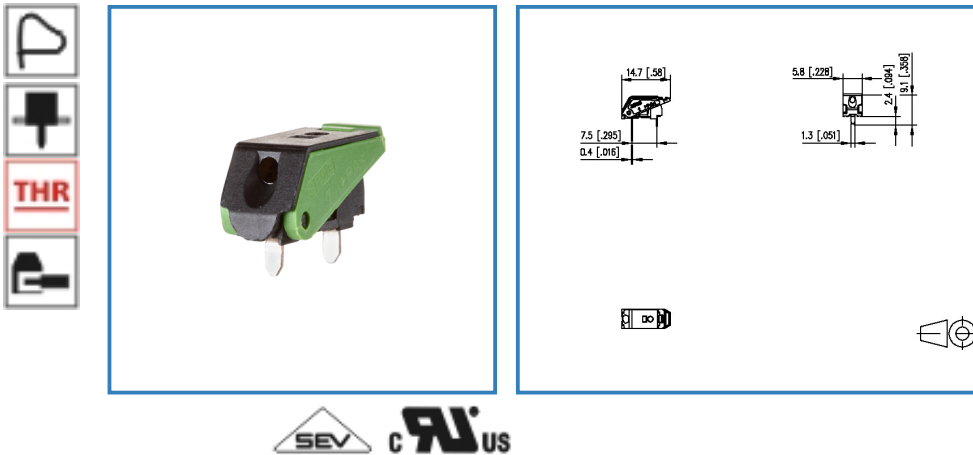
Page 1/4

P/N

SR99S01VBNN0003

2017/07/11

### Illustration



see enlarged drawing at the end of the document

### Product specification

- spring clamp terminal block, THR solderable, double solder pins
- direction of connection 90°
- fittable without loss of poles
- color green
- finger push-button
- test point and wire connection indicator
- Variants: black, creme white, yellow, green, red, blue, orange



# Data Sheet

## SR99S01VBNN0003 green

### Technical Data



#### General Data

Solder pin length	2.4 mm
min. number of poles	1
max. number of poles	1
Insulating material class	CTI 600
protection category	IP 00
Min. insul. strip length	7 mm

#### Connection data

Rated wiring solid wire	0.2 - 1.5 mm <sup>2</sup> / AWG 24 - 16
Rated wiring stranded wire	0.2 - 1.5 mm <sup>2</sup> / AWG 24 - 16

#### Approvals

 V / A / AWG	300 / 9 / 24 - 16
 0,75 mm <sup>2</sup>	T60

#### Material

insulating material	PA66/6T
flammability class	V0
spring material	Spring steel
contact material	CuSn
Glow-Wire Flammability GWFI	960
Glow-Wire Flammability GWIT	775
contact surface	Sn

#### Climatic properties

upper limit temperature	105 °C
lower limit temperature	-40 °C

#### General

solderability	Acc. to IPC/JEDEC J-STD-020D-MSL 1
Tolerance	ISO 2768 -mH

# Data Sheet

## SR99S01VBNN0003 green

Page 3/4

P/N

SR99S01VBNN0003

2017/07/11

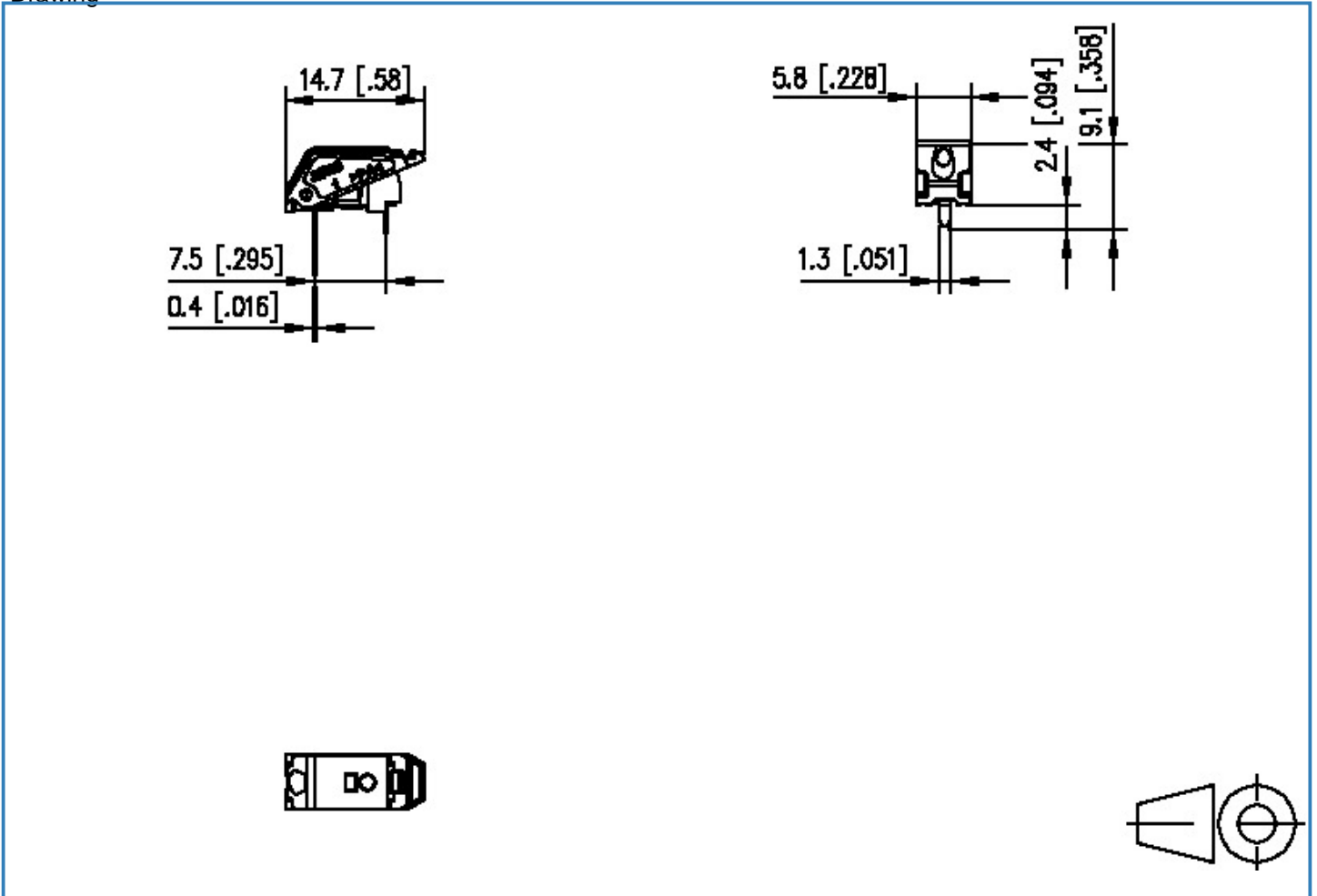


# Data Sheet

## SR99S01VBNN0003 green

### Illustration

Drawing



© 2017 METZ CONNECT - Technische Änderungen vorbehalten! Subject to modifications! Sous réserve de modifications techniques!



## X-ON Electronics

Largest Supplier of Electrical and Electronic Components

*Click to view similar products for [Metz manufacturer](#):*

Other Similar products are found below :

[142M4D95050](#) [AST0410604](#) [31249103](#) [ASP0631006](#) [142M2X15020](#) [4897-227G](#) [142M2X19020](#) [142M2X25005](#) [ASP0440222](#) [1108861321](#)  
[1108311319](#) [1108501319](#) [11089313](#) [142M2X1C050](#) [832WC-3L](#) [130920-E](#) [150240C30610E](#) [11027605](#) [1108841319](#) [110304412004](#)  
[1108831326](#) [15024AD206-E](#) [150240C30310S](#) [135015-SSC-E](#) [1528SBGT19E](#) [1401110012KE](#) [142M2X15010](#) [31189102](#) [11085813](#) [810-500](#)  
[31336104](#) [ASP0430922](#) [AST0450504](#) [SP06502VBNF](#) [142M1D11100](#) [142M4D15100](#) [142M1D19020](#) [31213102](#) [31251104](#) [31359104](#)  
[AST0820406](#) [834B-375ML](#) [8DG-30-1](#) [841ER-1.17L](#) [31009105](#) [31020205](#) [31024102](#) [31027103](#) [ASP0251204](#) [1308455055-E](#)