

Data Sheet

SR99S01VBNN0006 orange

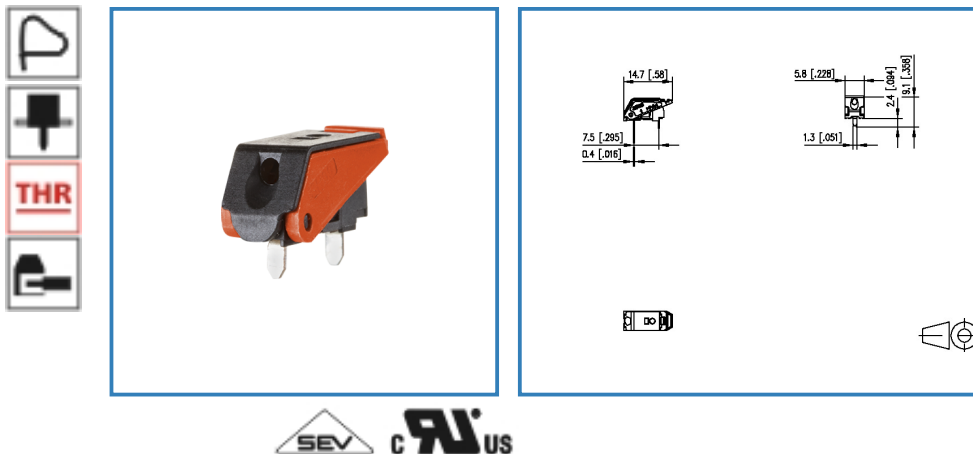
Page 1/4

P/N

SR99S01VBNN0006

2017/07/11

Illustration



see enlarged drawing at the end of the document

Product specification

- spring clamp terminal block, THR solderable, double solder pins
- direction of connection 90°
- fittable without loss of poles
- color orange
- finger push-button
- test point and wire connection indicator
- Variants: black, creme white, yellow, green, red, blue, orange



Data Sheet

SR99S01VBNN0006 orange

Technical Data



General Data

Solder pin length	2.4 mm
min. number of poles	1
max. number of poles	1
Insulating material class	CTI 600
protection category	IP 20
Min. insul. strip length	7 mm

Connection data

Rated wiring solid wire	0.2 - 1.5 mm ² / AWG 24 - 16
Rated wiring stranded wire	0.2 - 1.5 mm ² / AWG 24 - 16

Approvals

 V / A / AWG	300 / 9 / 24 - 16
 0,75 mm ²	T60

Material

insulating material	PA66/6T
flammability class	V0
spring material	Spring steel
contact material	CuSn
Glow-Wire Flammability GWFI	960
Glow-Wire Flammability GWIT	775
contact surface	Sn

Climatic properties

upper limit temperature	105 °C
lower limit temperature	-40 °C

General

solderability	Acc. to IPC/JEDEC J-STD-020D-MSL 1
Tolerance	ISO 2768 -mH



Data Sheet

SR99S01VBNN0006 orange

Page 3/4

P/N

SR99S01VBNN0006

2017/07/11

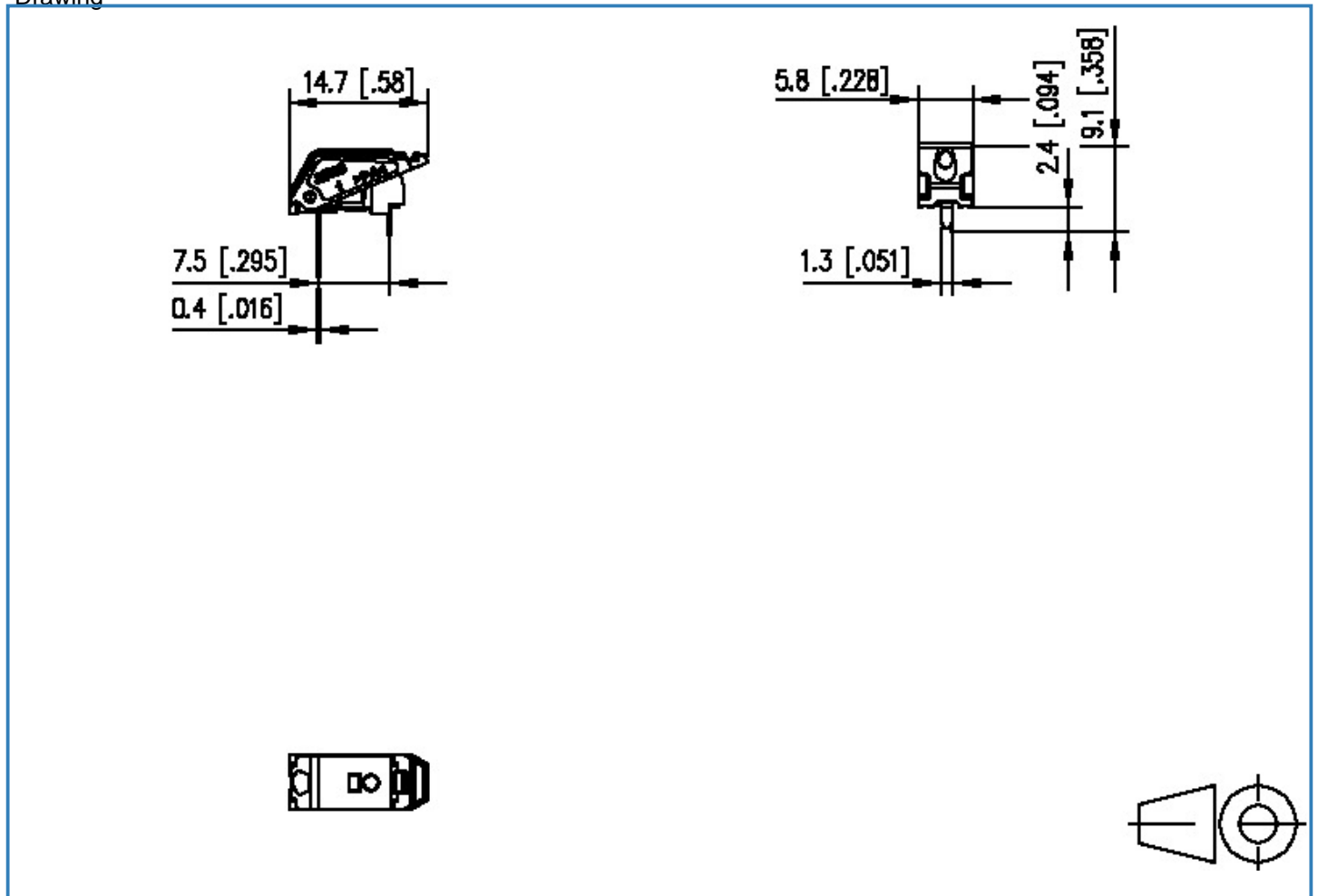


Data Sheet

SR99S01VBNN0006 orange

Illustration

Drawing



X-ON Electronics

Largest Supplier of Electrical and Electronic Components

Click to view similar products for [Metz manufacturer](#):

Other Similar products are found below :

[142M4D95050](#) [AST0410604](#) [31249103](#) [ASP0631006](#) [142M2X15020](#) [4897-227G](#) [142M2X19020](#) [142M2X25005](#) [ASP0440222](#) [1108861321](#)
[1108311319](#) [1108501319](#) [11089313](#) [142M2X1C050](#) [832WC-3L](#) [130920-E](#) [150240C30610E](#) [11027605](#) [1108841319](#) [110304412004](#)
[1108831326](#) [15024AD206-E](#) [150240C30310S](#) [135015-SSC-E](#) [1528SBGT19E](#) [1401110012KE](#) [142M2X15010](#) [31189102](#) [11085813](#) [810-500](#)
[31336104](#) [ASP0430922](#) [AST0450504](#) [SP06502VBNF](#) [142M1D11100](#) [142M4D15100](#) [142M1D19020](#) [31213102](#) [31251104](#) [31359104](#)
[AST0820406](#) [834B-375ML](#) [8DG-30-1](#) [841ER-1.17L](#) [31009105](#) [31020205](#) [31024102](#) [31027103](#) [ASP0251204](#) [1308455055-E](#)