



BRIGHTTEK
BRIGHTTEK (EUROPE) LIMITED

Brighten Up The World With LED!



ISO/TS 16949:2009



BS EN ISO 14001:2004



QC 080000 IECQ HSPM

PRODUCT DATASHEET

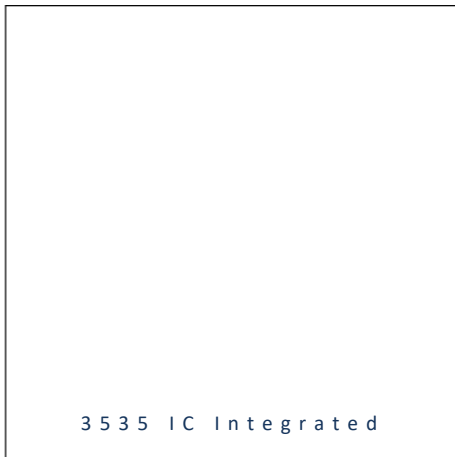


- ▶ PLCC4 SMD with IC
- ▶ 3535 IC 1.95t
- ▶ Red/Green/Blue

NOM59S08IC



Release Date: 18 May 2021 Version: A1.0



3535 IC Integrated

3535 IC-Integrated

RoHS
Compliant



FEATURES:

- **Package:** PLCC4 Top View LED Package with Integrated IC
- **Forward Current:** 12/12/12mA* * in order of Red/Green/Blue
- **Power Supply Voltage (typ.):** +3.7~+5.5V
- **Luminous Intensity (typ.):** 550/1250/300mcd
- **Colour:** Red/Green/Blue
- **Materials:**
 - Resin: Silicone (Water Clear)
 - L/F Finish: Ag Plated
- **IC Feature:** Cascading port transmission signal by single line. Built-in signal reshaping circuit, after wave reshaping to the next driver, ensure wave-form distortion not accumulate. Built-in electric reset circuit and power lost reset circuit. Any two point the distance does not exceed 3m transmission signal without any increase circuit. Send data at speeds of 800Kbps. When the refresh rate is 30fps, cascade number are not less than 1024 points.
- **Pixel:** Each pixel of the three primary colour can achieve 256 brightness display, full colour display, and scan frequency not less than 400Hz/s.
- **Soldering methods:** Reflow soldering
- **Preconditioning:** acc. to JEDEC Level 3
- **Packing:** 12mm tape with Max.1000pcs/reel, ø180mm (7")

APPLICATIONS:

- Telecommunication
- Indicator
- Home Appliance
- Decoration Lighting
- Full Colour LED Strip
- Gaming Device
- Guardrail Tube

CHARACTERISTICS:

 Absolute Maximum Characteristics (Ta=25°C, V_{SS}=0V)

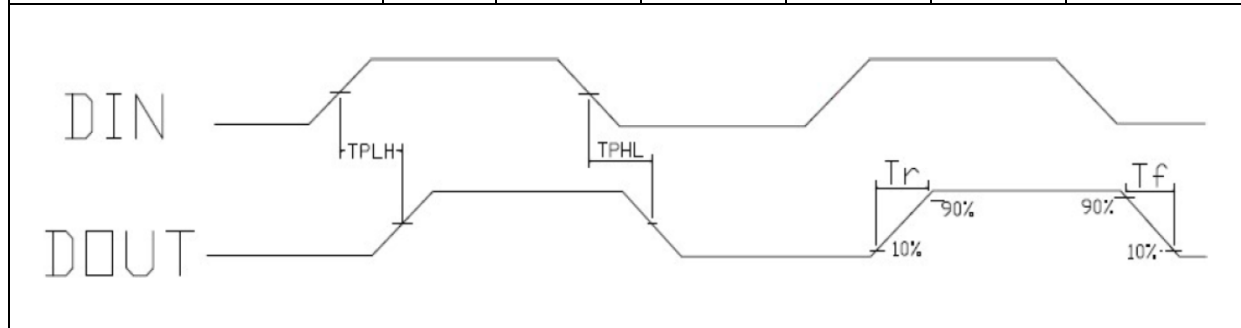
Parameter	Symbol	Ratings	Unit
Power Supply Voltage	V _{DD}	+3.7~+5.5	V
Logic Input Voltage	V _I	-0.5~V _{DD} +5.5	V
Operating Temperature	T _{OPR}	-40~+85	°C
Storage Temperature	T _{STG}	-40~+105	°C
Electrostatic discharge (HBM)	ESD	4000	V

 Electrical & Optical Characteristics (Ta=25°C, V_{DD}=5V, V_{SS}=0V)

Parameter	Symbol	Values			Unit	Test Condition	
		Min.	Typ.	Max.			
Chip Supply Voltage	V _{DD}	---	5.2	---	V	---	
Signal Input Flip Threshold	V _{IH}	0.7 V _{DD}	---	---	V	V _{DD} =5V	
	V _{IL}	---	---	0.3 V _{DD}	V		
The Frequency of PWM	F _{PWM}	---	1.2	---	KHz	---	
Static Power Consumption	I _{DD}	---	1	---	mA	---	
Luminous Intensity	R	I _v	400	---	700	mcd	I _F =12mA
	G		1000	---	1500		
	B		200	---	400		
Dominant Wavelength	R	λ _D	620	---	625	nm	I _F =12mA
	G		520	---	525		
	B		465	---	470		
Forward Voltage	R	V _F	2.0	---	2.4	V	I _F =12mA
	G		3.0	---	3.4		
	B		3.0	---	3.4		
Viewing Angle	2θ _{1/2}	---	120	---	deg	I _F =39mA	

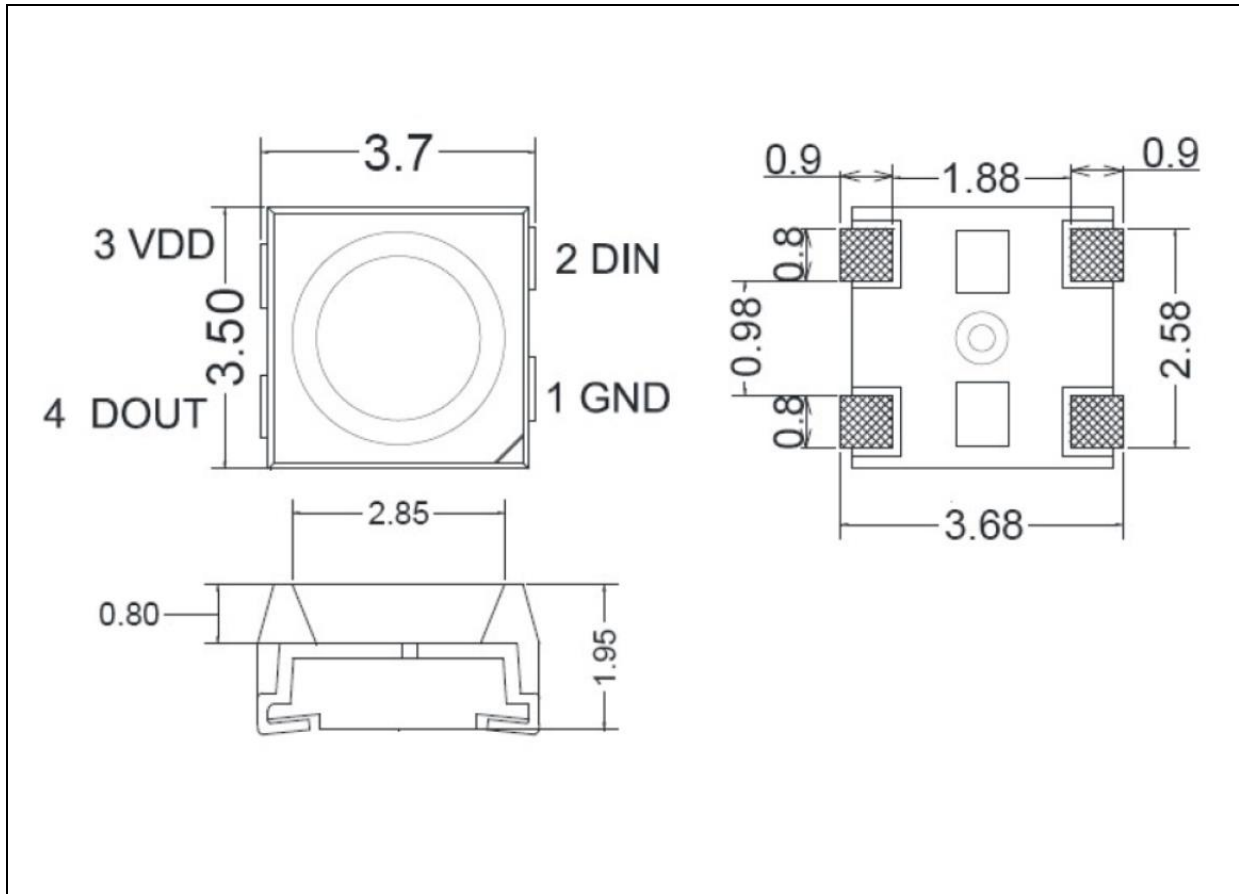
Dynamic Characteristics (Ta=25°C)

Parameter	Symbol	Values			Unit	Test Condition
		Min.	Typ.	Max.		
Speed of Data Transmission	F _{DIN}	---	800	---	KHz	Duty Ration of 67%
DOOUT Transmission Delay	T _{PLH}	---	---	500	ns	DIN→DOOUT
	T _{PHL}	---	---	500	ns	
IOOUT Rise/Drop Time	T _r	---	100	---	ns	V _{DS} =1.5V I _{OOUT} =13mA I _{out} =5mA
	T _f	---	100	---	ns	



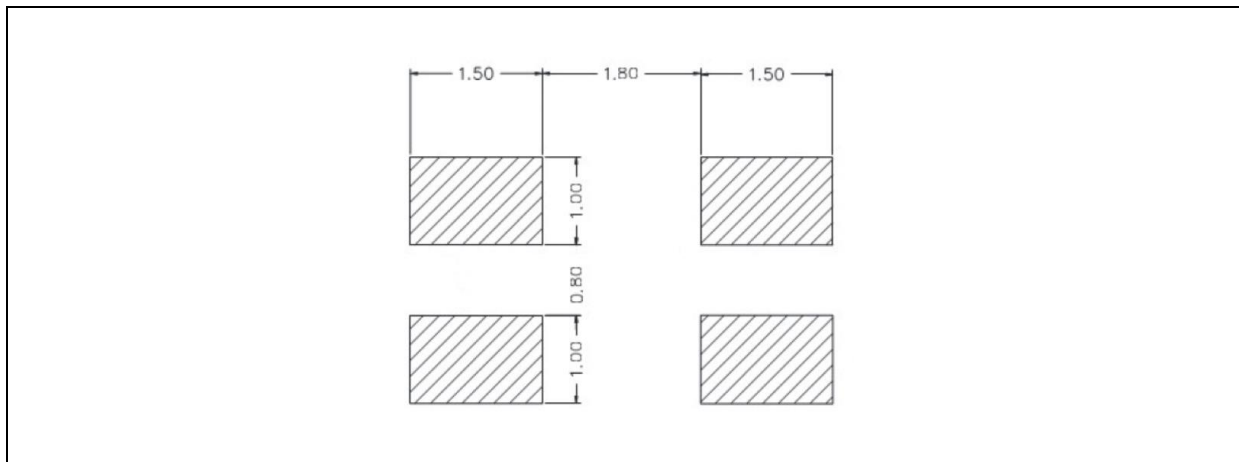
OUTLINE DIMENSION:

Package Dimension:

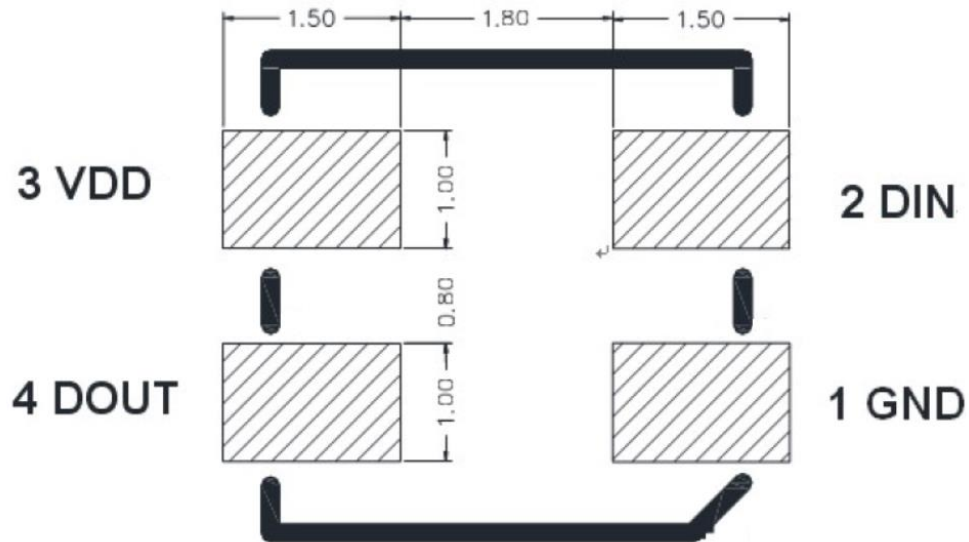


1. All dimensions are in millimetre (mm).
2. Tolerance $\pm 0.2\text{mm}$, unless otherwise noted.

Recommended Soldering Pad Dimension:



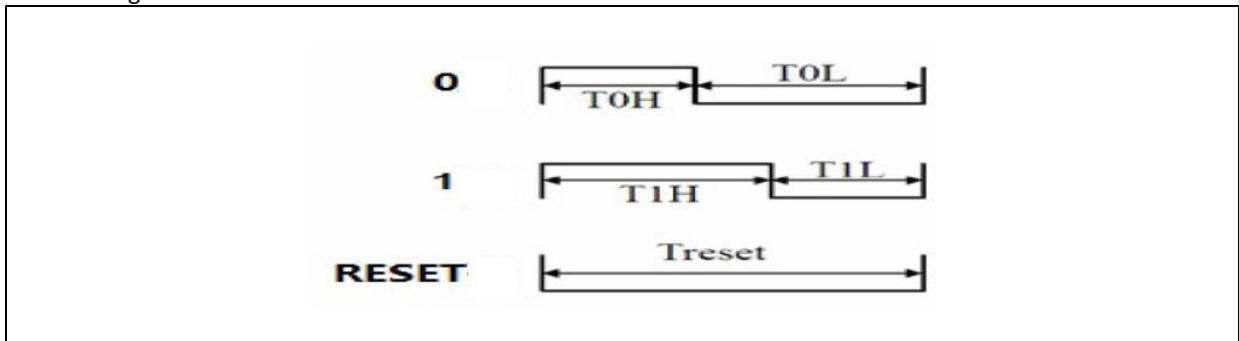
1. Dimensions are in millimetre (mm).
2. Tolerance $\pm 0.1\text{mm}$ with angle tolerance $\pm 0.5^\circ$.

PIN CONFIGURATION:


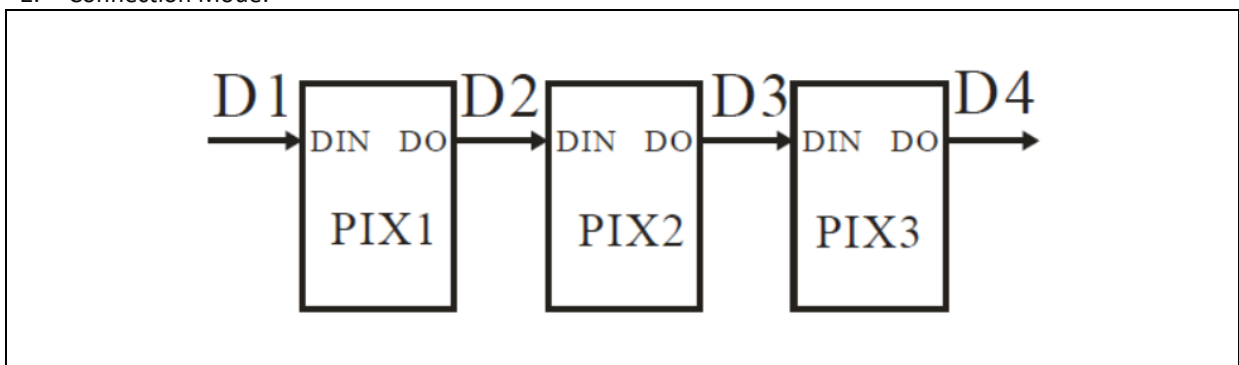
No.	Symbol	Function Description
1	GND	Signal Ground and Power Ground
2	DIN	Control Data Signal Input
3	VDD	Power Supply LED
4	DOU	Control Data Signal Output

Function Description:

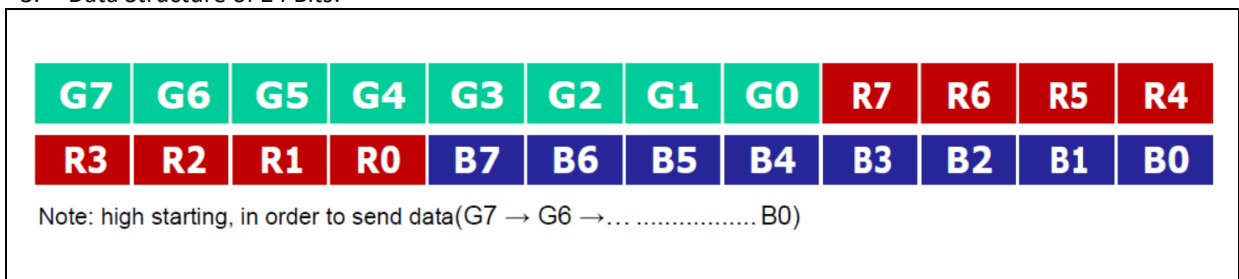
1. Timing Wave Form:



2. Connection Mode:

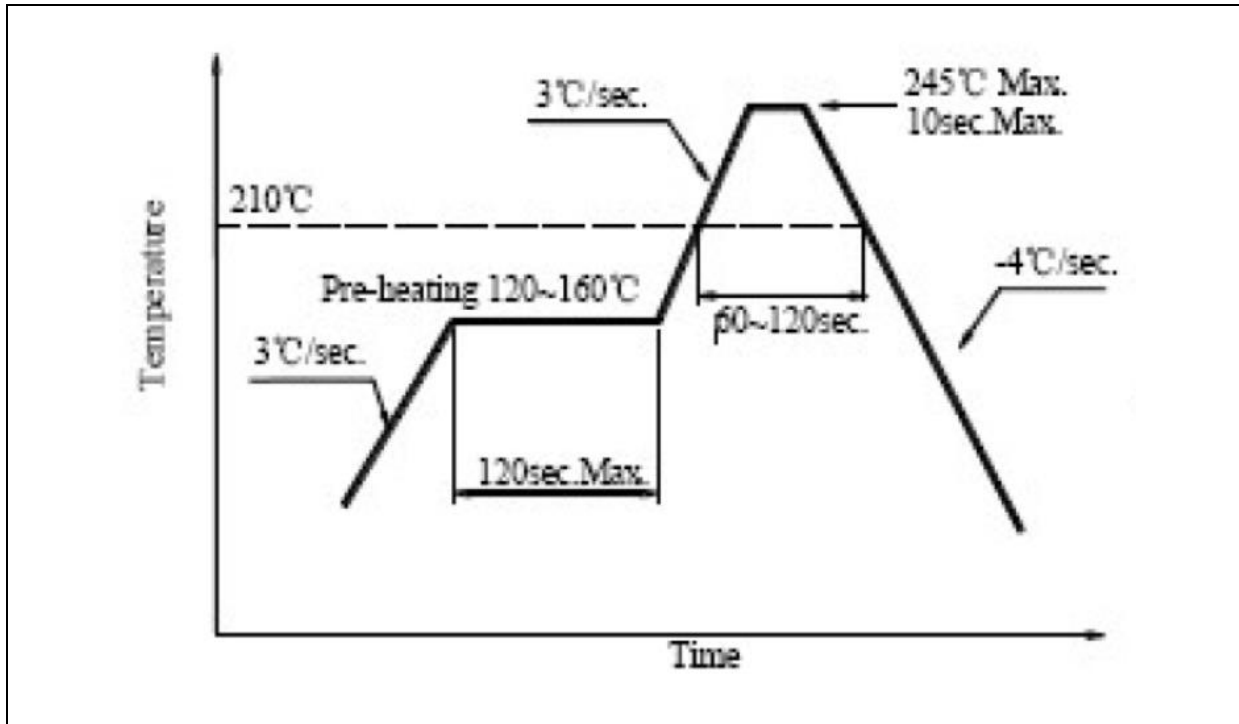


3. Data Structure of 24 Bits:



RECOMMENDED SOLDERING PROFILE:

Lead-free Solder IR Reflow:

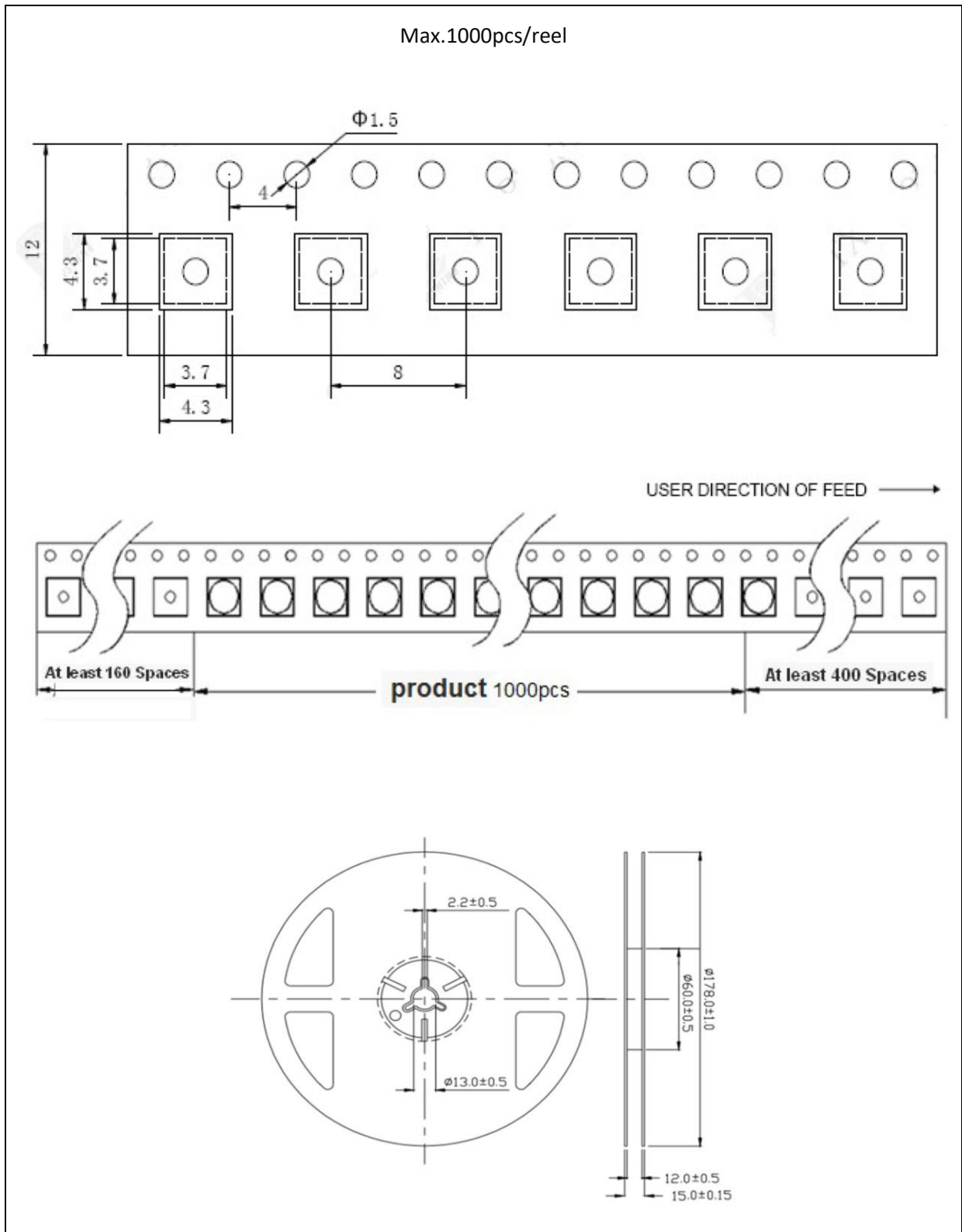


Note:

1. The maximum soldering temperature should be limited to 245°C.
2. Maxima reflow soldering: 2 times.
3. Before, during, and after soldering, should not apply stress on the components and PCB board.

PACKING SPECIFICATION:

Reel Dimension:



PRECAUTIONS OF USE:

Storage:

It is recommended to store the products in the following conditions:

- Humidity: 60% R.H. Max.
- Temperature: 5°C~30°C (41°F ~86°F).

Shelf life in sealed bag: 12 months at 5°C~30°C and <60% R.H.

Once the package is opened, the products should be used within 48 hours. Otherwise, they should be kept in a damp-proof box with desiccating agent stored at R.H.<10% and apply baking before use.

Over-Current Proof:

Must apply resistors for protection otherwise slight voltage shift will cause big current change and burn-out will happen.

Baking:

It is recommended to bake the LED before soldering if the pack has been unsealed for longer than 24hrs. The suggested baking conditions are as followings:

- 60±3°C x 6hrs and <5%RH, taped / reel package.

It's normal to see slight color fading of carrier (light yellow) after baking in process.

Cleaning:

Use alcohol-based cleaning solvents such as isopropyl alcohol to clean the LED carrier / package. Avoid putting any stress force directly on to the LED lens.

ESD (Electrostatic Discharge):

Static Electricity or power surge will damage the LED. Use of a conductive wrist band or anti-electrosatic glove is recommended when handling the LED all time. All devices, equipment, machinery, work tables, and storage racks must be properly grounded.

REVISION RECORD:

Version	Date	Summary of Revision
A1.0	18/05/2021	Datasheet set-up.

X-ON Electronics

Largest Supplier of Electrical and Electronic Components

Click to view similar products for [Standard LEDs - SMD category](#):

Click to view products by [MGT Brightek manufacturer](#):

Other Similar products are found below :

[LTST-C190KYKT](#) [LTST-C19GD2WT](#) [LTW-170ZDC](#) [LTW-M140SZS40](#) [LTW-M140ZVS](#) [598-8110-100F](#) [598-8610-202F](#) [91-21SUBCS400-A6TR7](#) [AAAF5060QBFSEEZGS](#) [APT1608QGW](#) [99-213/R6C-AR2T1B/2C](#) [SML-LX0606SISUGC/A](#) [SML-LXR851SIUPGUBC](#) [LT1ED53A](#) [APFA3010SURKCGKQBDC](#) [APHK1608VGCA](#) [APT2012QGW](#) [LTST-008BGEW](#) [LTW-010DCG](#) [LTW-020ZDCG](#) [LTW-21TS5](#) [LTW-220DS5](#) [598-8330-117F](#) [65-21SYGC/S530-E3/TR8](#) [CMDA20AYAA7D1S](#) [95-21SURCS530-A3TR10](#) [598-8040-100F](#) [598-8070-100F](#) [598-8140-100F](#) [598-8610-200F](#) [SML-LXR851SGSIC-TR](#) [SML-512PWT86A](#) [SMF-2432GYC-TR](#) [EASV3015RGYA0](#) [95-21UYC-S530-A5-TR7](#) [LTST-C190KFKT-5A](#) [LTST-C194TBKT-5A](#) [CLX6E-FKC-CH1M1D1BB7C3D3](#) [SML-LXL0805USBC-TR](#) [SML-LX2835SYSUGCTR](#) [LTW-M670ZVS-M5](#) [APA2106ZGC/G](#) [CLMXB-FKA-CbcfghjnpACBB79463](#) [VFA1101W-5AY3B2-TR](#) [LCB P473-P2R2-3J7L-1-Z](#) [91-21VGC/S556/S68/TR10/S370](#) [LW A67C-S2U1-FK0KM0](#) [LW A673-P1S1-FK0PM0](#) [BL-HE1G033B-TRB](#) [5988B90107F](#)