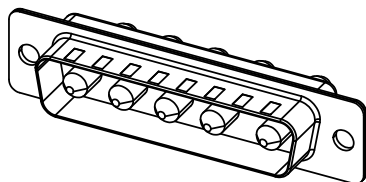


THIS IS A C.A.D. GENERATED DRAWING  
DO NOT MAKE MANUAL REVISIONS TO MASTER.

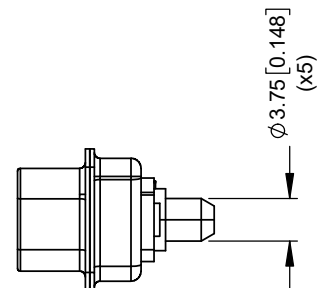
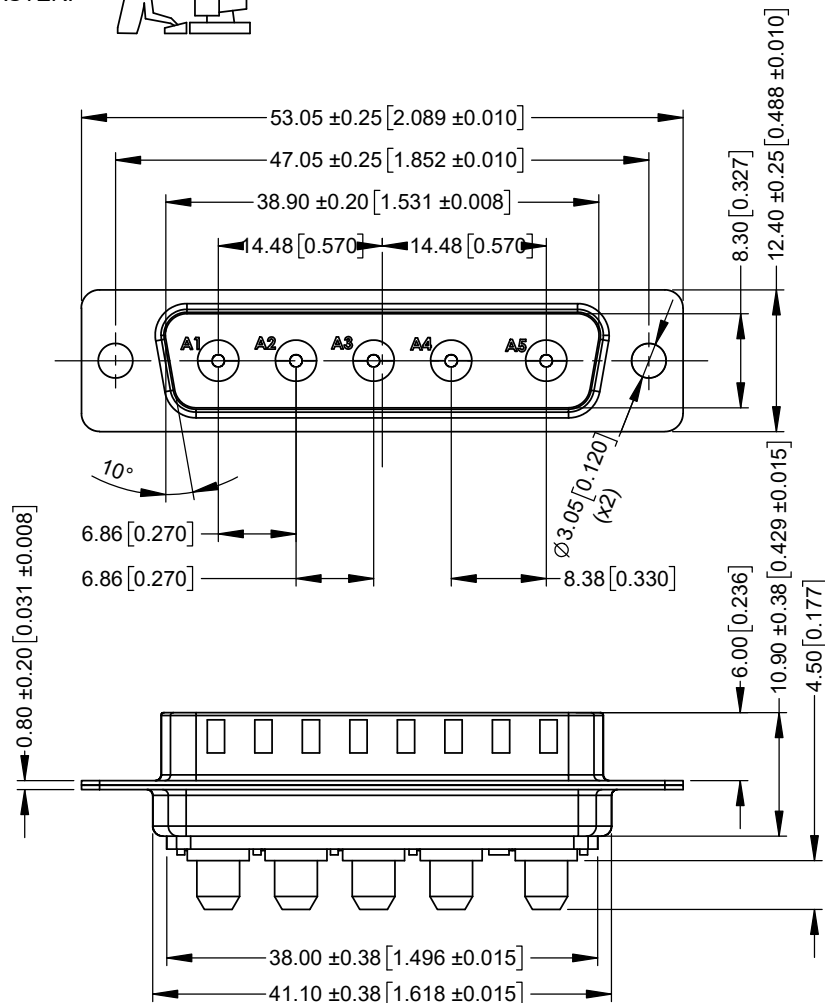


\* UNLESS OTHERWISE SPECIFIED TOLERANCES  
ON DECIMAL IS: UNIT: MM UNIT: INCH  
 X.X ± 0.25 X.X ± 0.010  
 X.XX ± 0.13 X.XX ± 0.005  
 X.XXX ± 0.05 X.XXX ± 0.002  
 X.° ± 1° X.° ± 1°  
 X.X° ± 0.5° X.X° ± 0.5°

ISSUE NUMBER	
ORIGINAL	①



SCALE 1:1



**SPECIFICATIONS:**

**ELECTRICAL:**

INSULATOR RESISTANCE: 5 GΩ  
 DIELEC. WITHSTAND VOLTAGE: 1,000 VAC FOR 1 MIN  
 POWER CONTACT CURRENT: 40A PER CONTACT MAX  
 POWER CONTACT RESISTANCE: 2 mΩ MAX.  
 WORKING VOLTAGE: 250V

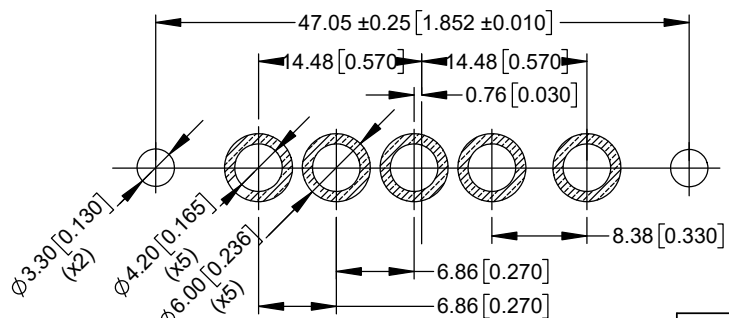
**MATERIAL:**

INSULATOR: PBT UL94 V-0, BLACK  
 SHELL: STEEL, Ni PLATED  
 CONTACTS: COPPER ALLOY, FULL GOLD FLASH

**GENERAL:**

OPERATING TEMPERATURE: -55°C ~ 125°C  
 PROCESS TEMP.: 230°C

**RECOMMENDED PCB LAYOUT**



THESE DRAWINGS AND SPECIFICATIONS ARE THE  
PROPERTY OF MH CONNECTORS AND SHALL NOT BE  
REPRODUCED, COPIED OR USED AS THE BASIS FOR  
THE MANUFACTURE OR SALE OF APPARATUS WITHOUT  
WRITTEN PERMISSION.

DRAWN	E.P	DATE	02-05-23
APPROVED	S.R	DATE	02-05-23
SCALE	SHEET OF	REV:	
NA	1 OF 1	1	
DRAWING No		MHCDD5W5P4	



THIS SERIES FULLY CONFORMS TO THE  
EUROPEAN UNION DIRECTIVES 2015/863/EU  
AND 2011/65/EU FOR RoHS COMPLIANCY.



**MH CONNECTORS ,  
DIVISION OF EDAC**

## X-ON Electronics

Largest Supplier of Electrical and Electronic Components

*Click to view similar products for D-Sub Mixed Contact Connectors category:*

*Click to view products by MH Connectors manufacturer:*

Other Similar products are found below :

[790-025SF-5P5NMN](#) [790-025SJ-7P7NML](#) [121551-0569](#) [280-058P4-13W6MTNG](#) [LCC17A3W3PEAN1](#) [3005W5PXX99A30X](#)  
[3007W2PCR48E20X](#) [3008W8SXX42A10X](#) [3013W3SCM99A10X](#) [3017W2SCT56N40X](#) [3036W4PCM41A10X](#) [212522-7](#)  
[3003W3PXX58N40X](#) [3005W5SXX99E20X](#) [3007W2PAR71E20X](#) [3008W8SXX56N40X](#) [3013W3PCM99A10X](#) [302W2CPXX56N40X](#)  
[3036W4SCM41A30X](#) [321WA4SCT56N40X](#) [DAM7V2PNK87](#) [DBM-17W2S-1A8N-A190-A197-1](#) [DBM21W1P](#) [051523-0014](#) [09691009009](#)  
[5F5SSC28S41A30X](#) [6017W2PCM41B30X](#) [790-061SH-36W2NMNA](#) [790-044SE-7P3MNPB](#) [790-043PE-11P2MPA](#) [790-043PB-2P2MPB](#)  
[790-029SB-2P2MEPA](#) [790-028PK-9P9MPA](#) [790-028PH-54P2MGA](#) [790-028PH-36P2MNA](#) [790-028PB-2P2MPA](#) [790-027SH-5W5MTEP](#)  
[790-026PH-54P2ZNUG](#) [790-026PH-54P2MP](#) [790-026PH-36P2ZNUG](#) [790-026PH-36P2MG](#) [790-026PD-3P3MP](#) [790-025SJ-7P7EMS](#) [790-](#)  
[025SH-36W2NMT](#) [790-025SB-2P2EMS](#) [790-024PJ-17P4MS](#) [790-024PJ-17P4MN](#) [790-024PF-5P5ML](#) [790-024PD-3P3MTT](#) [790-023PH-](#)  
[36W2MBY](#)