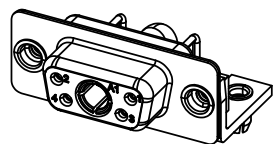


THIS IS A C.A.D. GENERATED DRAWING
DO NOT MAKE MANUAL REVISIONS TO MASTER.

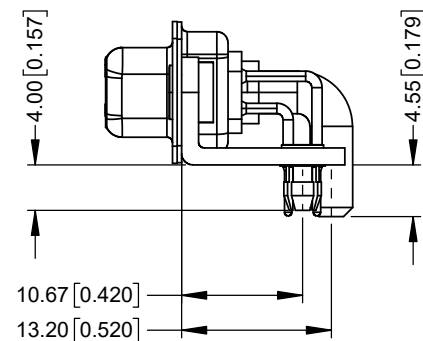
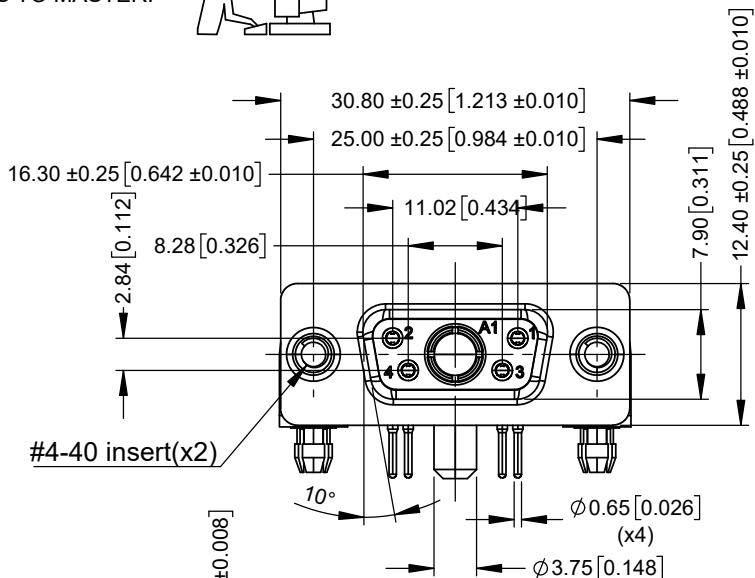


* UNLESS OTHERWISE SPECIFIED TOLERANCES
ON DECIMAL IS: UNIT: MM UNIT: INCH
 X.X ± 0.25 X.X ± 0.010
 X.XX ± 0.13 X.XX ± 0.005
 X.XXX ± 0.05 X.XXX ± 0.002
 X.° ± 1° X.° ± 1°
 X.X° ± 0.5° X.X° ± 0.5°

ISSUE NUMBER	
ORIGINAL	①



SCALE 1:1



SPECIFICATIONS:

ELECTRICAL:

- INSULATOR RESISTANCE: 5 GΩ
- DIELEC. WITHSTAND VOLTAGE: 1,000 VAC R.M.S.
- POWER CONTACT CURRENT: 40A PER CONTACT MAX
- POWER CONTACT RESISTANCE: 2 mΩ MAX.
- SIGNAL CONTACT CURRENT: 5A PER CONTACT MAX.
- SIGNAL CONTACT RESISTANCE: 10 mΩ MAX.
- WORKING VOLTAGE: 250V

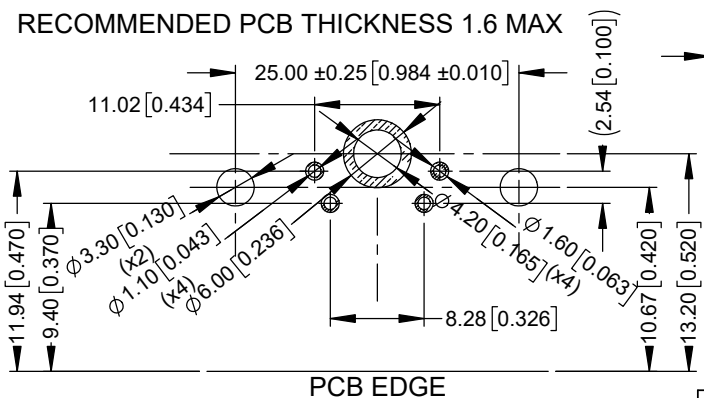
MATERIAL:

- INSULATOR: PBT UL94 V-0, BLACK
- SHELL: STEEL, Ni PLATED
- CONTACTS: COPPER ALLOY, FULL GOLD FLASH

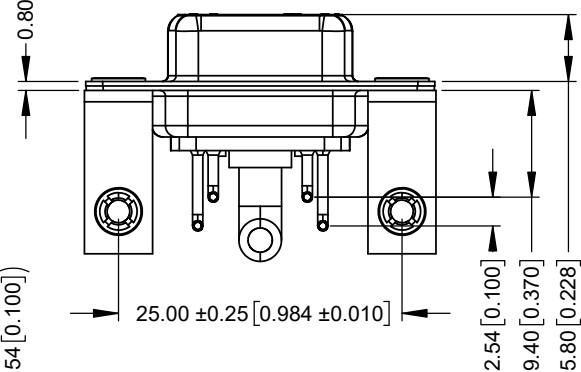
GENERAL:

- OPERATING TEMPERATURE: -55°C ~ 125°C
- PROCESS TEMP.: 230°C

RECOMMENDED PCB LAYOUT
RECOMMENDED PCB THICKNESS 1.6 MAX



PCB EDGE



THESE DRAWINGS AND SPECIFICATIONS ARE THE PROPERTY OF MH CONNECTORS AND SHALL NOT BE REPRODUCED, COPIED OR USED AS THE BASIS FOR THE MANUFACTURE OR SALE OF APPARATUS WITHOUT WRITTEN PERMISSION.

DRAWN	E.P	DATE	02-05-23
APPROVED	S.R	DATE	02-05-23
SCALE	SHEET	OF	REV:
NA	1	OF 1	1
DRAWING No		MHCDR5W1S4	



THIS SERIES FULLY CONFORMS TO THE EUROPEAN UNION DIRECTIVES 2015/863/EU AND 2011/65/EU FOR RoHS COMPLIANCY.



MH CONNECTORS,
DIVISION OF EDAC

X-ON Electronics

Largest Supplier of Electrical and Electronic Components

Click to view similar products for D-Sub Mixed Contact Connectors category:

Click to view products by MH Connectors manufacturer:

Other Similar products are found below :

[790-025SF-5P5NMN](#) [790-025SJ-7P7NML](#) [121551-0569](#) [280-058P4-13W6MTNG](#) [LCC17A3W3PEAN1](#) [3005W5PXX99A30X](#)
[3007W2PCR48E20X](#) [3008W8SXX42A10X](#) [3013W3SCM99A10X](#) [3017W2SCT56N40X](#) [3036W4PCM41A10X](#) [212522-7](#)
[3003W3PXX58N40X](#) [3005W5SXX99E20X](#) [3007W2PAR71E20X](#) [3008W8SXX56N40X](#) [3013W3PCM99A10X](#) [302W2CPXX56N40X](#)
[3036W4SCM41A30X](#) [321WA4SCT56N40X](#) [DAM7V2PNK87](#) [DBM-17W2S-1A8N-A190-A197-1](#) [DBM21W1P](#) [051523-0014](#) [09691009009](#)
[5F5SSC28S41A30X](#) [6017W2PCM41B30X](#) [790-061SH-36W2NMNA](#) [790-044SE-7P3MNPB](#) [790-043PE-11P2MPA](#) [790-043PB-2P2MPB](#)
[790-029SB-2P2MEPA](#) [790-028PK-9P9MPA](#) [790-028PH-54P2MGA](#) [790-028PH-36P2MNA](#) [790-028PB-2P2MPA](#) [790-027SH-5W5MTEP](#)
[790-026PH-54P2ZNUG](#) [790-026PH-54P2MP](#) [790-026PH-36P2ZNUG](#) [790-026PH-36P2MG](#) [790-026PD-3P3MP](#) [790-025SJ-7P7EMS](#) [790-](#)
[025SH-36W2NMT](#) [790-025SB-2P2EMS](#) [790-024PJ-17P4MS](#) [790-024PJ-17P4MN](#) [790-024PF-5P5ML](#) [790-024PD-3P3MTT](#) [790-023PH-](#)
[36W2MBY](#)