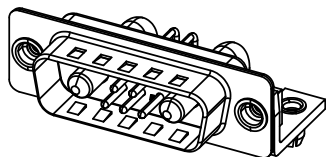


THIS IS A C.A.D. GENERATED DRAWING  
DO NOT MAKE MANUAL REVISIONS TO MASTER.

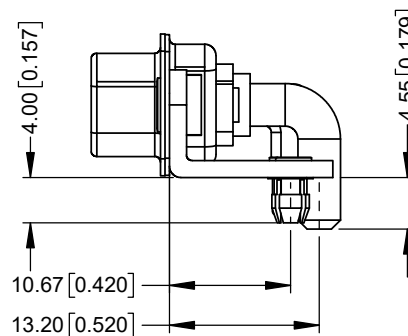
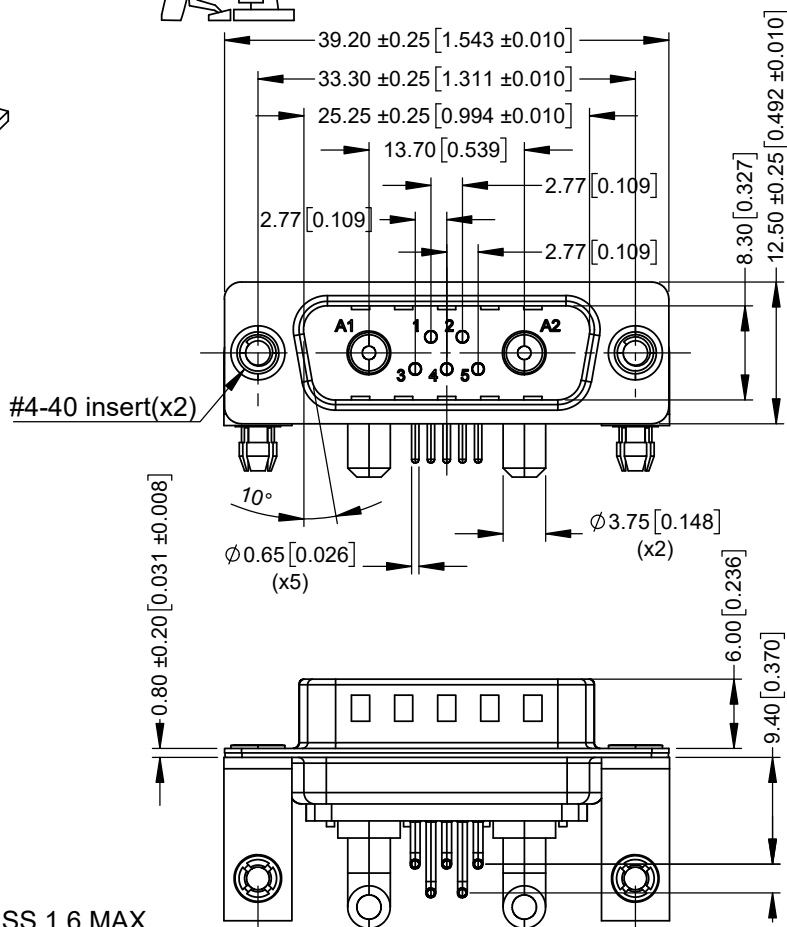


\* UNLESS OTHERWISE SPECIFIED TOLERANCES  
ON DECIMAL IS: UNIT: MM UNIT: INCH  
 X.X ± 0.25 X.X ± 0.010  
 X.XX ± 0.13 X.XX ± 0.005  
 X.XXX ± 0.05 X.XXX ± 0.002  
 X.° ± 1° X.° ± 1°  
 X.X° ± 0.5° X.X° ± 0.5°

ISSUE NUMBER	
ORIGINAL	①



SCALE 1:1



SPECIFICATIONS:

ELECTRICAL:

- INSULATOR RESISTANCE: 5 GΩ
- DIELEC. WITHSTAND VOLTAGE: 1,000 VAC R.M.S.
- POWER CONTACT CURRENT: 40A PER CONTACT MAX
- POWER CONTACT RESISTANCE: 2 mΩ MAX.
- SIGNAL CONTACT CURRENT: 5A PER CONTACT MAX.
- SIGNAL CONTACT RESISTANCE: 10 mΩ MAX.
- WORKING VOLTAGE: 250V

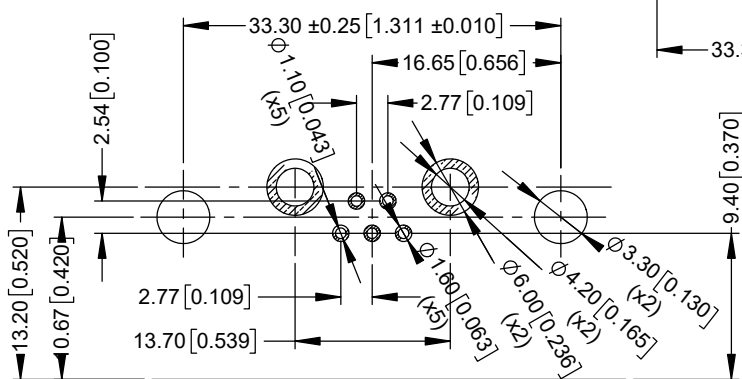
MATERIAL:

- INSULATOR: PBT UL94 V-0, BLACK
- SHELL: STEEL, Ni PLATED
- CONTACTS: COPPER ALLOY, FULL GOLD FLASH

GENERAL:

- OPERATING TEMPERATURE: -55°C ~ 125°C
- PROCESS TEMP.: 230°C

RECOMMENDED PCB LAYOUT  
RECOMMENDED PCB THICKNESS 1.6 MAX



PCB EDGE

THESE DRAWINGS AND SPECIFICATIONS ARE THE  
PROPERTY OF MH CONNECTORS AND SHALL NOT BE  
REPRODUCED, COPIED OR USED AS THE BASIS FOR  
THE MANUFACTURE OR SALE OF APPARATUS WITHOUT  
WRITTEN PERMISSION.

DRAWN	E.P	DATE
		02-05-23

APPROVED	S.R	DATE
		02-05-23

SCALE	SHEET OF	REV:
NA	1 OF 1	1

DRAWING No  
MHCDR7W2P4



THIS SERIES FULLY CONFORMS TO THE  
EUROPEAN UNION DIRECTIVES 2015/863/EU  
AND 2011/65/EU FOR RoHS COMPLIANCY.



MH CONNECTORS,  
DIVISION OF EDAC

## X-ON Electronics

Largest Supplier of Electrical and Electronic Components

*Click to view similar products for D-Sub Mixed Contact Connectors category:*

*Click to view products by MH Connectors manufacturer:*

Other Similar products are found below :

[790-025SF-5P5NMN](#) [790-025SJ-7P7NML](#) [121551-0569](#) [280-058P4-13W6MTNG](#) [LCC17A3W3PEAN1](#) [3005W5PXX99A30X](#)  
[3007W2PCR48E20X](#) [3008W8SXX42A10X](#) [3013W3SCM99A10X](#) [3017W2SCT56N40X](#) [3036W4PCM41A10X](#) [212522-7](#)  
[3003W3PXX58N40X](#) [3005W5SXX99E20X](#) [3007W2PAR71E20X](#) [3008W8SXX56N40X](#) [3013W3PCM99A10X](#) [302W2CPXX56N40X](#)  
[3036W4SCM41A30X](#) [321WA4SCT56N40X](#) [DAM7V2PNK87](#) [DBM-17W2S-1A8N-A190-A197-1](#) [DBM21W1P](#) [051523-0014](#) [09691009009](#)  
[5F5SSC28S41A30X](#) [6017W2PCM41B30X](#) [790-061SH-36W2NMNA](#) [790-044SE-7P3MNPB](#) [790-043PE-11P2MPA](#) [790-043PB-2P2MPB](#)  
[790-029SB-2P2MEPA](#) [790-028PK-9P9MPA](#) [790-028PH-54P2MGA](#) [790-028PH-36P2MNA](#) [790-028PB-2P2MPA](#) [790-027SH-5W5MTEP](#)  
[790-026PH-54P2ZNUG](#) [790-026PH-54P2MP](#) [790-026PH-36P2ZNUG](#) [790-026PH-36P2MG](#) [790-026PD-3P3MP](#) [790-025SJ-7P7EMS](#) [790-](#)  
[025SH-36W2NMT](#) [790-025SB-2P2EMS](#) [790-024PJ-17P4MS](#) [790-024PJ-17P4MN](#) [790-024PF-5P5ML](#) [790-024PD-3P3MTT](#) [790-023PH-](#)  
[36W2MBY](#)