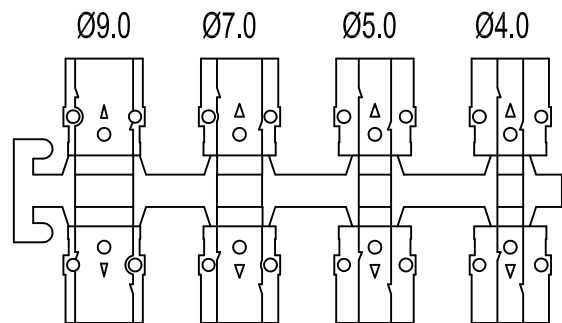
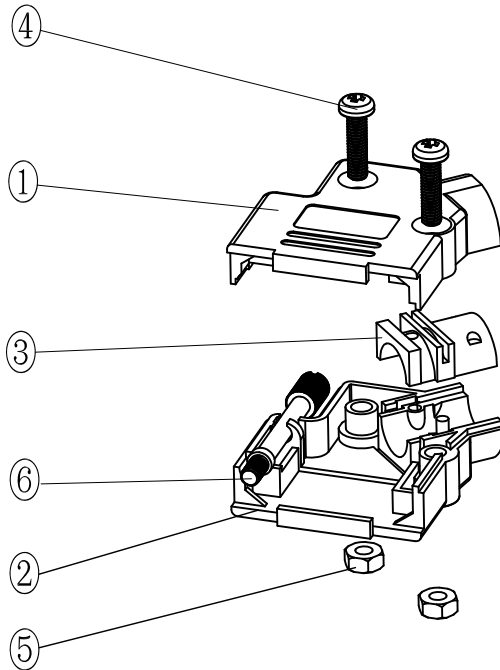
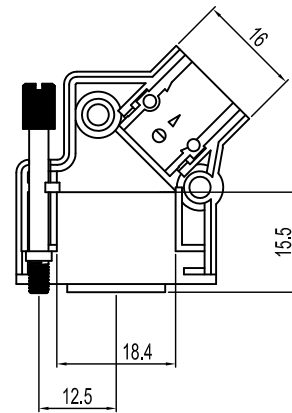
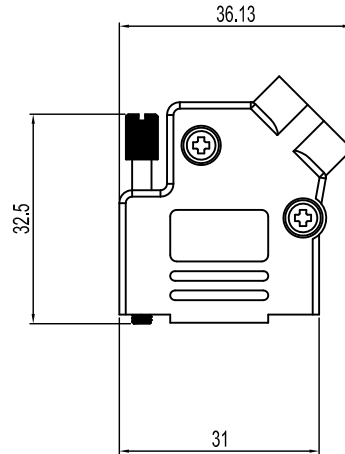
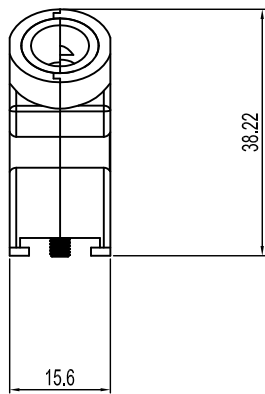


No.	Changes and/or Note No.	Date	Intr	No	Changes and/or Note No.	Date	Intr



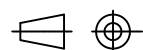
Part Number:	Description:	Pack:	1	1	Top-D45PK-9	Cover
6560-0146-11	MHD45PK-09-K	Kit	2	1	Bottom-D45PK-9	Cover
6561-0146-11	MHD45PK-09	Bulk	3	1	D45ZK-D1	Grommet
			4	2	M3X11.5	Screw
			5	2	M3	NUT
			6	1	UNC 4-40X32.5	Jack screw
			Item	QTY	Part Number	Description

DATE: 2008-09-25	DRAWN: YGY	SCALE:	MATERIAL TYPE:
Auditing:	APPROVED: MRR		REPLACES:

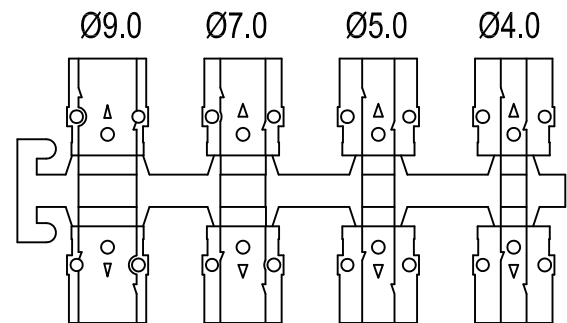
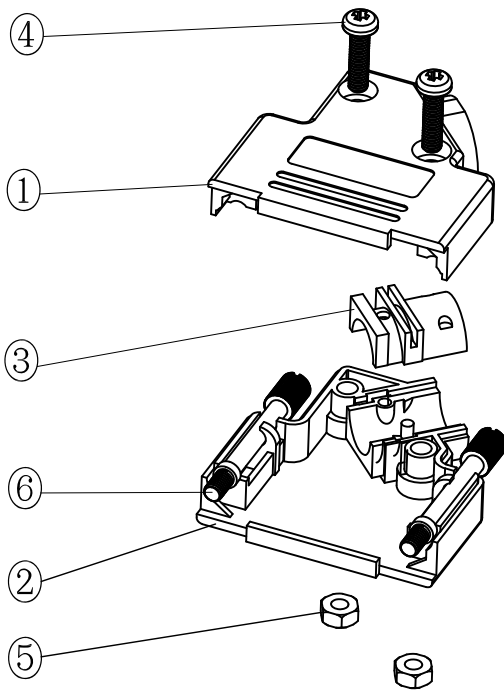
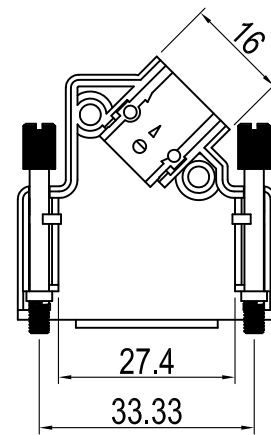
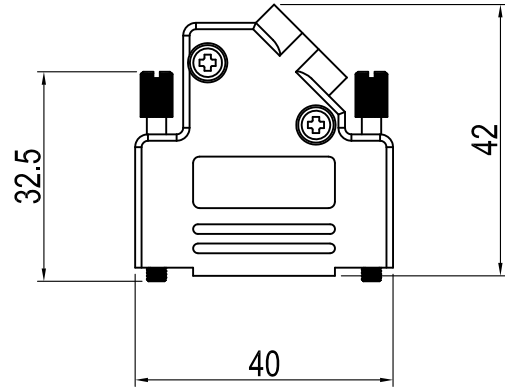
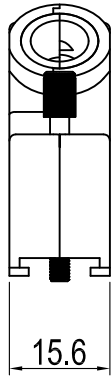


MHD45PK-SERIES

DRAWING No:



No.	Changes and/or Note No.	Date	Intr	No	Changes and/or Note No.	Date	Intr



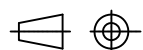
Part Number:	Description:	Pack:	1	1	Top-D45PK-15	Cover
6560-0146-12	MHD45PK-15-K	Kit	2	1	Bottom-D45PK-15	Cover
6561-0146-12	MHD45PK-15	Bulk	3	1	D45ZK-D1	Grommet
			4	2	M3X11.5	Screw
			5	2	M3	NUT
			6	2	UNC 4-40X32.5	Jack screw
			Item	QTY	Part Number	Description

DATE: 2008-09-25	DRAWN: YGY	SCALE:	MATERIAL TYPE:
Auditing:	APPROVED: MRR		REPLACES:

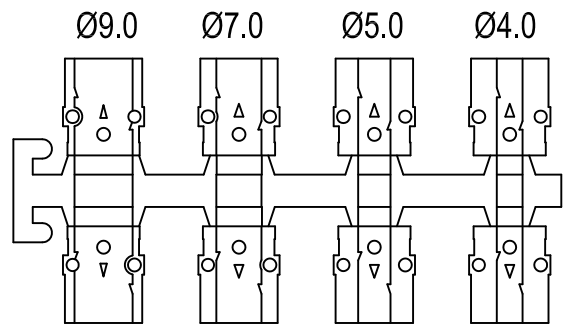
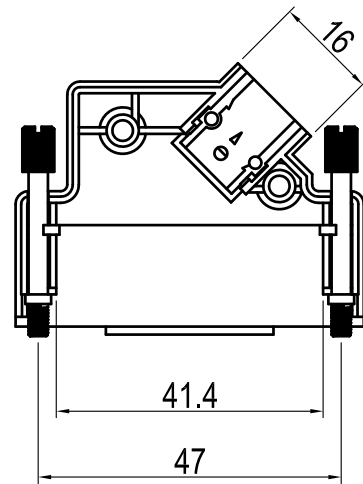
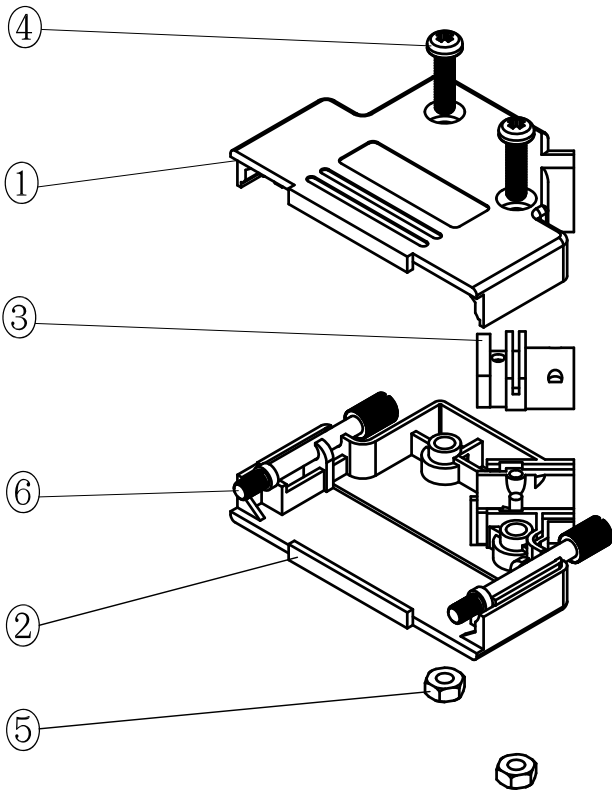
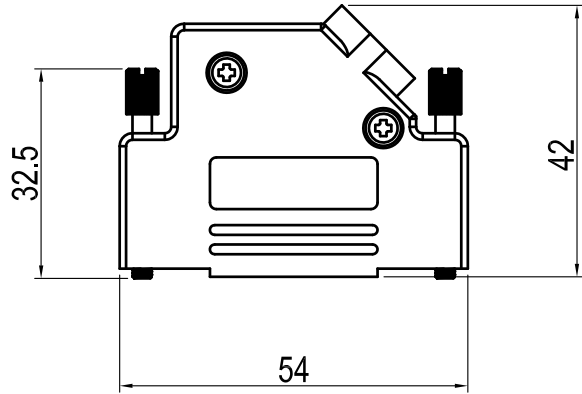
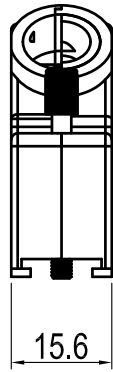


MHD45PK-SERIES

DRAWING No:



No.	Changes and/or Note No.	Date	Intr	No	Changes and/or Note No.	Date	Intr

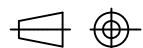


Part Number:	Description:	Pack:	1	1	Top-D45PK-25	Cover
6560-0146-13	MHD45PK-25-K	Kit	2	1	Bottom-D45PK-25	Cover
6561-0146-13	MHD45PK-25	Bulk	3	1	D45ZK-D1	Grommet
			4	2	M3X11.5	Screw
			5	2	M3	NUT
			6	2	UNC 4-40X32.5	Jack screw
			Item	QTY	Part Number	Description

DATE: 2008-09-25	DRAWN: YGY	SCALE:	MATERIAL TYPE:
Auditing:	APPROVED: MRR	REPLACES:	

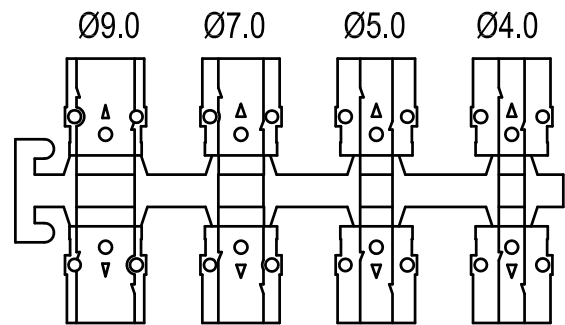
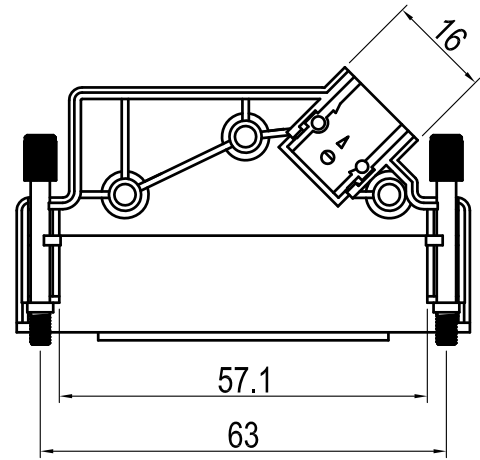
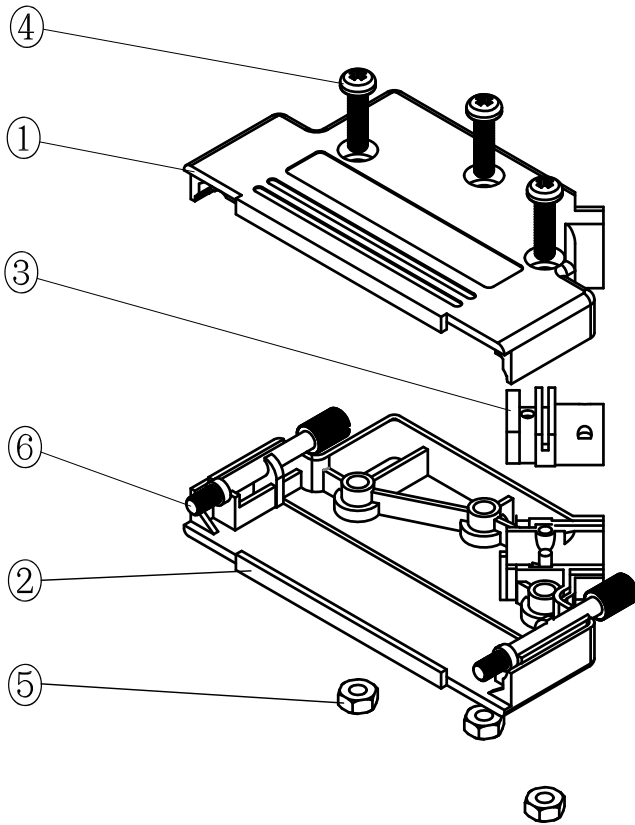
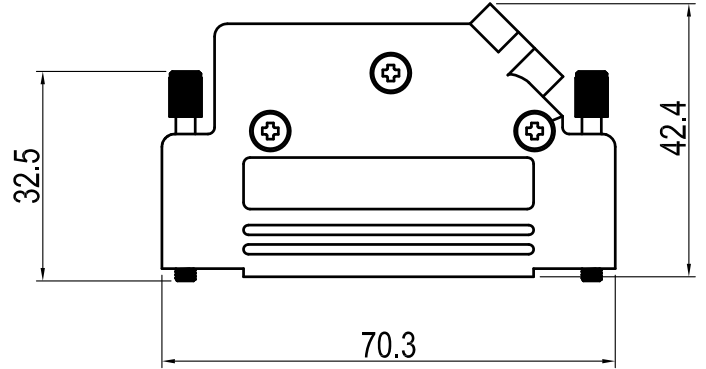
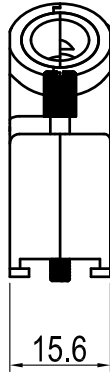


MHD45PK-SERIES



DRAWING No:

No.	Changes and/or Note No.	Date	Intr	No	Changes and/or Note No.	Date	Intr



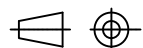
Part Number:	Description:	Pack:	Item	QTY	Part Number	Description
			1	1	Top-D45PK-37	Cover
			2	1	Bottom-D45PK-37	Cover
			3	1	D45ZK-D1	Grommet
6560-0146-14	MHD45PK-37-K	Kit	4	3	M3X11.5	Screw
			5	3	M3	NUT
6561-0146-14	MHD45PK-37	Bulk	6	2	UNC 4-40X32.5	Jack screw
			Item	QTY	Part Number	Description

DATE: 2008-09-25	DRAWN: YGY	SCALE:	MATERIAL TYPE:
Auditing:	APPROVED: MRR	REPLACES:	



MHD45PK-SERIES

DRAWING No:



## X-ON Electronics

Largest Supplier of Electrical and Electronic Components

*Click to view similar products for [D-Sub High Density Connectors](#) category:*

*Click to view products by [MH Connectors](#) manufacturer:*

Other Similar products are found below :

[1484349-1](#) [163A16769X](#) [163A16809X](#) [163A17089X](#) [164A17199X](#) [164A17209X](#) [164A17479X](#) [164A18209X](#) [17BH-044S-AA110](#) [K86X-AD-26S](#) [KF66X-A26P-NJ](#) [KF66X-E15P-N](#) [241A17320X](#) [242A18390X](#) [242A25740X](#) [L717HDB44POL2R210](#) [L717HDCH62POL2RM5](#) [L717HDEH15POL2](#) [L777HDE15P](#) [L77HDC62S](#) [L77HDE15SC309](#) [163A16779X](#) [163A16839X](#) [163A17049X](#) [163A17079X](#) [164A17309X](#) [164A17329X](#) [164A18219X](#) [241A16440X](#) [241A16550X](#) [241A16680X](#) [241A17390X](#) [241A20810X](#) [241A25740X](#) [CT25-44P](#) [K66X-E15S-N30](#) [K86X-BA-44S](#) [K86X-ED-15S-BR15](#) [K86X-ED-15SK](#) [L177HDE15SOL2RM23](#) [L177HRC62S](#) [L177HRC62SVFM](#) [L177HRCG62S](#) [L717HDBH44POL2RM5](#) [L717HDEG15POL2RM5](#) [L77HDA26SVF](#) [L77HDE15SD1CO](#) [L77HDEH15SOL2RM832](#) [DAMA-15S-WS](#)  
[443895-3](#)