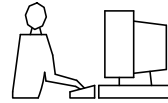


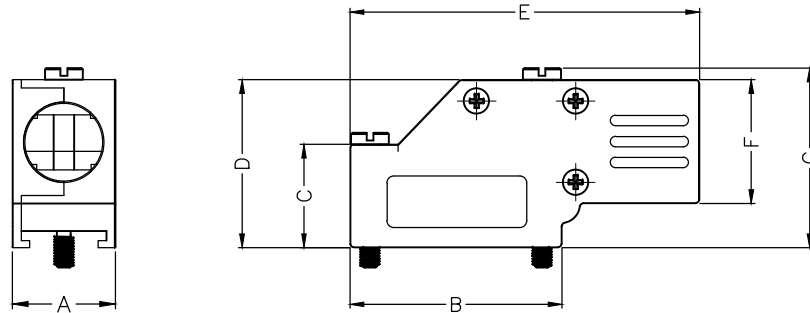
THIS IS A C.A.D. GENERATED DRAWING
DO NOT MAKE MANUAL REVISIONS TO MASTER.



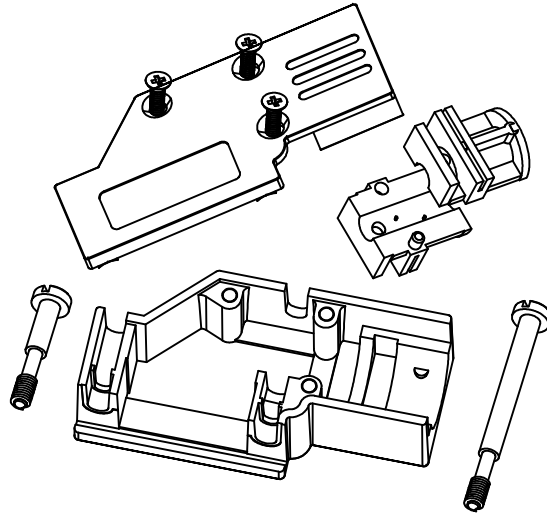
BACKSHELL KIT INCLUDES:

- (2) BACKSHELL HALVES
- (3) HOUSING SCREWS
- (1) 4-40 LONG THUMBSCREWS
- (1) 4-40 SHORT THUMBSCREWS
- (1) SET OF COMPRESSION INSERTS-VARIOUS SIZES
DIAMETERS 4mm(.157"), 5mm(.167"), 7mm(.276"), 9mm(.354")

* UNLESS OTHERWISE SPECIFIED TOLERANCES
ON DECIMAL IS: ANGLE $\pm 1^\circ$
UNIT: MM .XX ± 0.35



DIMENSIONS(mm/in)							
SIZE	A ± 1.20 ± 0.047	B ± 1.20 ± 0.047	C ± 0.80 ± 0.031	D ± 0.80 ± 0.031	E ± 0.80 ± 0.031	F ± 0.80 ± 0.031	G ± 0.80 ± 0.031
9	15.0	30.8	15.0	24.4	50.8	18.0	26.2
	0.59	1.21	0.59	0.96	2.0	0.71	1.03
25	15.8	53.3	23.1	34.5	72.4	24.3	36.6
	0.62	2.10	0.91	1.36	2.85	0.96	1.44



ORDERING INFORMATION:

SIZE	P/N - KITTED	PRODUCT CODE
9-WAY	6560-0501-01	MHDCMR-09-RA-K
25-WAY	6560-0501-03	MHDCMR-25-RA-K

SIZE	P/N - KITTED	PRODUCT CODE
9-WAY	6561-0501-01	MHDCMR-09-RA
25-WAY	6561-0501-03	MHDCMR-25-RA

BACKSHELL: MATERIAL: DIE CAST ZINC ALLOY
PLATING: NICKEL PLATED
4-40 THUMBSCREWS: STEEL-Zn PLATED
HOUSING SCREWS: STEEL-Zn PLATED
COMPRESSION INSERT: ABS,UL RECOGNIZED
OPERATING TEMP: -40°C TO+120°C

THESE DRAWINGS AND SPECIFICATIONS ARE THE PROPERTY OF MH CONNECTORS LTD. AND SHALL NOT BE REPRODUCED, COPIED OR USED AS THE BASIS FOR THE MANUFACTURE OR SALE OF APPARATUS WITHOUT WRITTEN PERMISSION.

DRAWN: JOHNNY
DATE: 02-24-13

APPROVED: DAMIEN
DATE: 03-10-14

SCALE: 1:1
SHEET OF: 1 OF 1
REV: 3.0

DRAWING No: MHDCMR-XX-RA-K

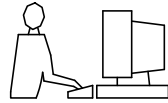


THIS SERIES FULLY CONFORMS TO THE EUROPEAN UNION DIRECTIVES 2002/95/EC AND 2002/96/EC FOR RoHS COMPLIANCY.

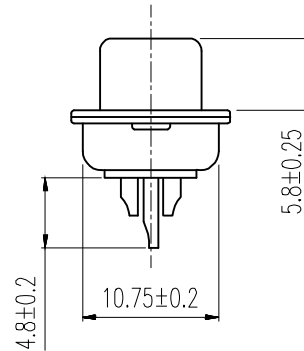
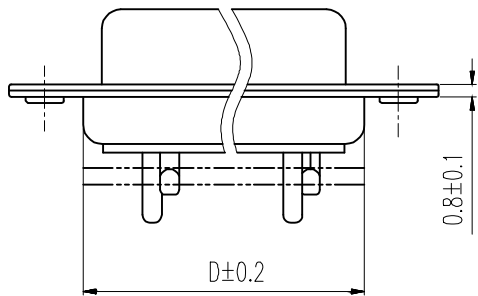
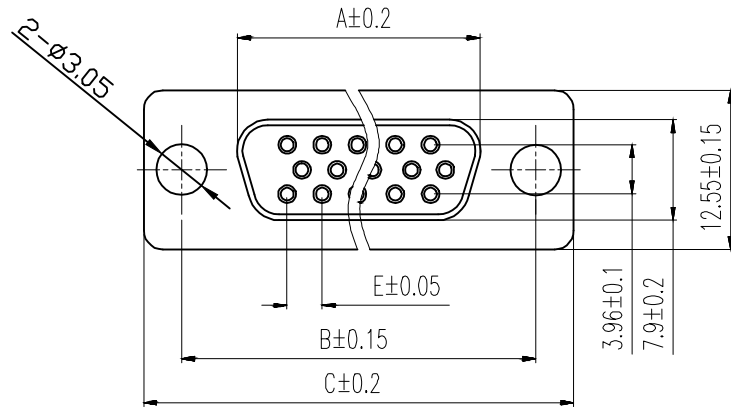


MH CONNECTORS LTD.

THIS IS A C.A.D. GENERATED DRAWING
DO NOT MAKE MANUAL REVISIONS TO MASTER.



* UNLESS OTHERWISE SPECIFIED TOLERANCES
ON DECIMAL IS: ANGLE $\pm 1^\circ$
.X ± 0.20
.XX ± 0.15
.XXX ± 0.05



Order Codes:

Socket Connector

Stamped & Formed

15-WAY	MHHDS-15-F-N-B-S
26-WAY	MHHDS-26-F-N-B-S
44-WAY	MHHDS-44-F-N-B-S
62-WAY	MHHDS-62-F-N-B-S

POS.	A	B	C	D	E
15	16.33	24.99	30.80	19.28	2.29
26	24.85	33.32	39.10	27.75	2.29
44	38.38	47.04	53.00	41.30	2.29
62	54.86	63.50	69.30	57.40	2.41

Remark:

1.MATERIAL:

Plastic:PBT+30% G.F (UL94V-0) BLACK

Spcc shell:Spcc front shell is nickel plated back shell is nickel plated

THESE DRAWINGS AND SPECIFICATIONS ARE THE PROPERTY OF MH CONNECTORS AND SHALL NOT BE REPRODUCED, COPIED OR USED AS THE BASIS FOR THE MANUFACTURE OR SALE OF APPARATUS WITHOUT WRITTEN PERMISSION.

DRAWN
IVEN Ou
DATE
08-18-22

APPROVED
DATE

SCALE
1 : 1
SHEET OF
1 OF 1
REV:
2.0

DRAWING No
MHHDS-XX-F-N-B-S



THIS SERIES FULLY CONFORMS TO THE EUROPEAN UNION DIRECTIVES 2002/95/EC AND 2002/96/EC FOR RoHS COMPLIANCY.



MH CONNECTORS,
DIVISION OF EDAC

X-ON Electronics

Largest Supplier of Electrical and Electronic Components

Click to view similar products for [MH Connectors](#) manufacturer:

Other Similar products are found below :

[2801-0102-01](#) [2801-0102-02](#) [2801-0102-03](#) [2801-0102-04](#) [2801-0102-11-8](#) [2801-0102-12-8](#) [2801-0102-13-8](#) [6560-0139-12](#) [6560-0139-13](#)
[6560-0139-14](#) [CCOV-37SC-BLACK](#) [CCOV-9SC-MP](#) [DA25-PMJ8-R-K](#) [DA25-PMJ8-Y-K](#) [DA25-SMJ6-K](#) [DA25-SMJ8-B-K](#) [DA25-SMJ8-](#)
[G-K](#) [DA25-SMJ8-R-K](#) [DA25-SMJ8-Y-K](#) [DA9-PMJ8-B-K](#) [DA9-SMJ8-B-K](#) [DA9-SMJ8-R-K](#) [DSSKM15L-DB15P-K](#) [DSSKM15L-DB15S-K](#)
[DSSKM25L-DB25P-K](#) [DSSKM25L-DB25S-K](#) [DSSKM9L-DB9S-K](#) [DSSKP15L-DB15S-K](#) [DSSKP25L-DB25S-K](#) [DSSKP9L-DB9P-K](#)
[DSSKP9L-DB9S-K](#) [DTZK15BKRAPCBK-K](#) [DTZK25BKRAPCBK-K](#) [DTZK9BKRAPCBK-K](#) [GA0909FFLGK-RC](#) [GA0909MFLGK-RC](#)
[GA1515MFLGK-RC](#) [GA1515MMLGK-RC](#) [GA2525FFLGK-RC](#) [GA2525MFLGK-RC](#) [GA2525MMLGK-RC](#) [MDS15S](#) [MDS25S](#) [MH3101-](#)
[8821](#) [MH3101-CAT5E](#) [MH3101S-8821](#) [MH3101S-CAT5E](#) [MH3101S-CAT6](#) [MH3101S-CAT6A](#) [MHCDD3W3P4](#)