

# ROHS COMPLIANT



## MH CONNECTORS LTD.

DRAWING No		MHD35 SERIES	
SCALE	NTS	SHEET	OF
REV:	1	1	A
DATE	03-14-12	APPROVED	D. CRDFT
DATE	03-14-12	DRAWN	P. JENKINS

THESE DRAWINGS AND SPECIFICATIONS ARE THE PROPERTY OF MH CONNECTORS LTD. AND SHALL NOT BE REPRODUCED, COPIED OR USED AS THE BASIS FOR THE MANUFACTURE OR SALE OF APPARATUS WITHOUT WRITTEN PERMISSION.

**SPECIFICATION:**  
 BACKSHELL MATERIAL: DIE CAST ZINC ALLOY  
 NICKEL PLATED  
 STRAIN RELIEF CLAMPS: STEEL - NICKEL PLATED  
 STRAIN RELIEF SCREWS: STEEL - ZN PLATED  
 HOUSING SCREWS: STEEL - ZN PLATED  
 COMPRESSION INSERT: ABS - UL RECOGNIZED  
 4-40 THUMBSCREWS: STEEL/HDPE - ZN PLATED  
 OPERATING TEMP: -40°C TO +120°C

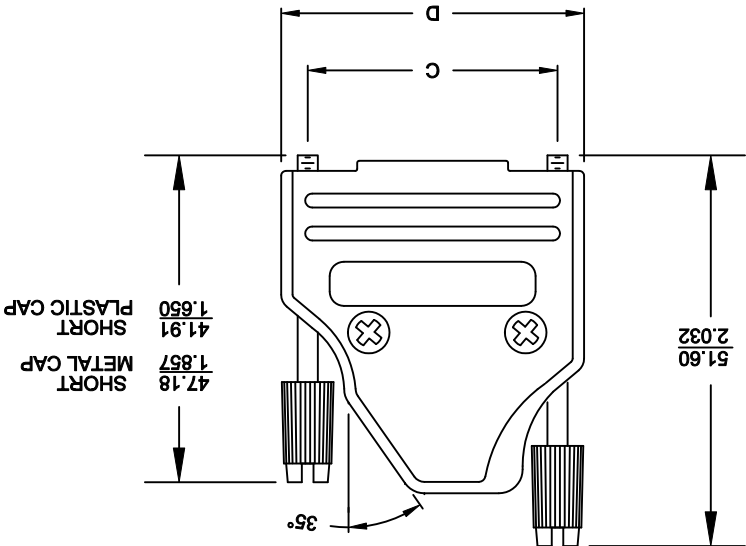
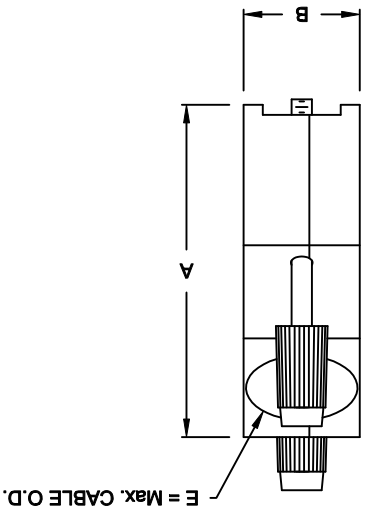
SIZE:	P/N - BULK:	PRODUCT CODE:
9-WAY	6561-0139-11	MHDM35-9
15-WAY	6561-0139-12	MHDM35-15
25-WAY	6561-0139-13	MHDM35-25
37-WAY	6561-0139-14	MHDM35-37

SIZE:	P/N - KITTED:	PRODUCT CODE:
9-WAY	6560-0139-11	MHDM35-9-K
15-WAY	6560-0139-12	MHDM35-15-K
25-WAY	6560-0139-13	MHDM35-25-K
37-WAY	6560-0139-14	MHDM35-37-K

**ORDERING INFORMATION:**

9-POSITION - 1 LONG THUMBSCREW WITH PLASTIC CAP  
 15-POSITION - 1 LONG THUMBSCREW WITH PLASTIC CAP  
 1 SHORT THUMBSCREW WITH METAL CAP  
 1 SHORT THUMBSCREW WITH PLASTIC CAP  
 25-POSITION - 1 LONG THUMBSCREW WITH PLASTIC CAP  
 1 SHORT THUMBSCREW WITH PLASTIC CAP  
 37-POSITION - 1 LONG THUMBSCREW WITH PLASTIC CAP  
 1 SHORT THUMBSCREW WITH PLASTIC CAP

**NOTE:**



**BACKSHELL KIT INCLUDES:**  
 (2) BACKSHELL HALVES  
 (2) STRAIN RELIEF CLAMPS  
 (2) MOUNTING SCREWS  
 (2) THUMBSCREWS \*\*\* (SEE NOTE)\*\*\*  
 (1-SET) METALIZED PLASTIC INSERTS - VARIOUS SIZES  
 DIAMETER: 6.2mm (0.244"), 8.2mm (0.323"), 10.2mm (0.402")

DIMENSIONS (mm/in.)					
SIZE	A ±.25	B ±.25	C ±.13	D ±.010	E
09	43.00	15.49	24.99	32.00	13.00
	1.693	0.610	0.984	1.260	0.512
15	43.00	15.49	33.32	40.41	13.00
	1.693	0.610	1.312	1.591	0.512
	48.00	15.49	47.04	54.00	13.00
	1.890	0.610	1.852	2.126	0.512
25	53.00	15.49	63.50	70.51	13.00
	2.087	0.610	2.500	2.776	0.512
37					

## X-ON Electronics

Largest Supplier of Electrical and Electronic Components

*Click to view similar products for [Heavy Duty Power Connectors](#) category:*

*Click to view products by [MH Connectors](#) manufacturer:*

Other Similar products are found below :

[1424439](#) [1424438](#) [09330062652](#) [2-8675P1](#) [580129-2](#) [605601-1](#) [6340G1](#) [6341G1](#) [6360G1](#) [6373G1](#) [6374g2](#) [6396G1](#) [647757-1](#) [66394-4](#)  
[6643411-1](#) [6646058-2](#) [6646137-1](#) [6646138-1](#) [6646348-1](#) [6646479-1](#) [6646608-1](#) [6646786-1](#) [6646940-1](#) [6651091-1](#) [6651525-1](#) [6651529-1](#)  
[6651778-1](#) [6651788-1](#) [696465-1](#) [696475-1](#) [73000005059](#) [73000005349](#) [73000005642](#) [73080255059](#) [73080965046](#) [765-15-0080A](#)  
[765-16-0080B](#) [789.700-44](#) [789.700-54](#) [80-1010](#) [80-9](#) [827381-1](#) [829992-1](#) [902-77-02113](#) [PL00U-301-10D10](#) [PM103MOOLOO](#)  
[PM16S1620S32-50](#) [PM212MOOLOO](#) [PM309FOOLOO](#) [PM324FOOLCH](#)