

MHDM Series

Diecast Hood & D-Sub Connector Kit | S&F



Description

- Stamped & Formed contacts, selective Gold plated contacts, Tin plated solder buckets
- Strong Nickel plated, diecast Zinc hood
- Straight cable entry
- Compression inserts to accommodate 6.2, 8.2 & 10.2mm cable diameter
- Will accommodate 6.2mm to 13.0mm diameter cable
- 4-40 UNC jackscrews

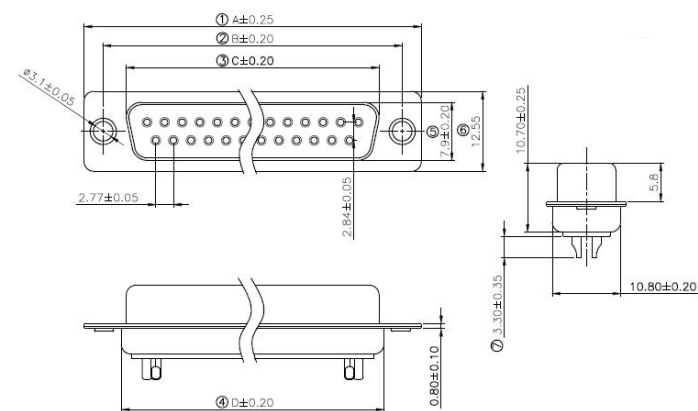
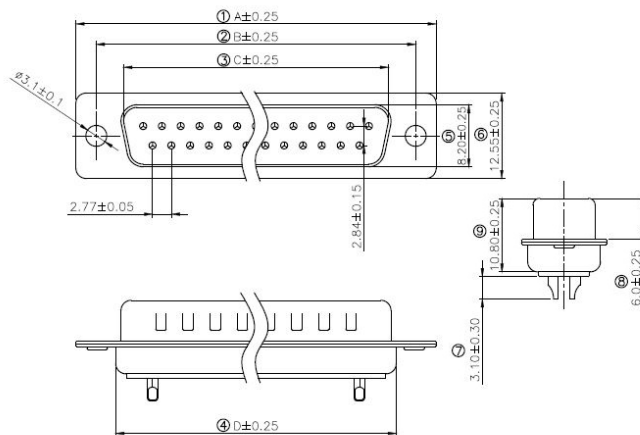
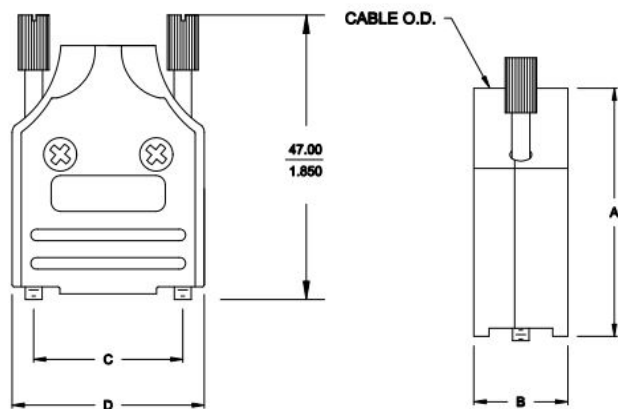
Specification

D-Sub	
Voltage Rating	250V
Current Rating	5 Amps
Contact Resistance	25mΩ Max
Insulation Resistance	1000MΩ
Operating Temperature	-55°C to 105°C
Shell	Tin plated Steel
Insulator Material	Glass filled Polyester
Contact Material	Copper alloy
Contact Plating	Gold over Nickel



Hood	
No. Contacts	9, 15 & 25
Kit Type	D-Sub connector kit
Housing Material	Nickel plated Zinc
Cable Entry	Straight
Cable OD	Up to 13.0mm

The Kit Contains		
Backshell Halves		x 2
D-Sub connector		x 1
Strain relief screws		x 2
Housing screws		x 2
4-40 UNC jackscrews		x 2
Metallised plastic compression inserts		x 1



Hood Dimensions

Size	A	B	C	D
09	31.5mm	40.0mm	15.00mm	24.99mm
	1.240"	1.575"	0.591"	0.984"
15	40.00mm	40.0mm	15.00mm	33.32mm
	1.575"	1.575"	0.591"	1.312"
25	53.5mm	43.0mm	15.00mm	47.04mm
	2.106"	1.693"	0.591"	1.852"

Male Dimensions

	09	15	25
A	30.81mm	39.25mm	53.03mm
B	24.99mm	33.32mm	38.96mm
C	19.28mm	27.75mm	41.30mm
D	19.23mm	27.56mm	41.30mm

Female Dimensions

	09	15	25
A	30.88mm	39.20mm	53.02mm
B	24.88mm	33.30mm	47.04mm
C	19.28mm	27.75mm	41.30mm
D	18.94mm	27.50mm	41.20mm

Part No.	Norcomp Part No.	Positions	Male/Female	Contact Type	Hood Part No.	Norcomp Part No.	D-Sub Part No.	Norcomp Part No.
MHDM9-DB9P-K	999-009-B30S102	9 Pin	Male	Stamped & Formed	MHDM-9-K	952-009-030R121	MHDB9SP	171-009-102L001
MHDM15-DB15P-K	999-015-B30S102	15 Pin	Male	Stamped & Formed	MHDM-15-K	952-015-030R121	MHDB15SP	171-015-102L001
MHDM25-DB25P-K	999-025-B30S102	25 Pin	Male	Stamped & Formed	MHDM-25-K	952-025-030R121	MHDB25SP	171-025-102L001
MHDM9-DB9S-K	999-009-B30S202	9 Pin	Female	Stamped & Formed	MHDM-9-K	952-009-030R121	MHDB9SS	171-009-202L001
MHDM15-DB15S-K	999-015-B30S202	15 Pin	Female	Stamped & Formed	MHDM-15-K	952-015-030R121	MHDB15SS	171-015-202L001
MHDM25-DB25S-K	999-025-B30S202	25 Pin	Female	Stamped & Formed	MHDM-25-K	952-025-030R121	MHDB25SS	171-025-202L001

X-ON Electronics

Largest Supplier of Electrical and Electronic Components

Click to view similar products for [D-Sub Standard Connectors](#) category:

Click to view products by [MH Connectors](#) manufacturer:

Other Similar products are found below :

[56F711-015](#) [012-9507-004](#) [LV242999-142T12](#) [015-0341-000](#) [015-0372-005](#) [015-0372-008](#) [015-8755-001](#) [020419-0104](#) [012-0467-000](#) [012-0515-000](#) [012-9507-034](#) [012-9507-114](#) [020745-0008](#) [609-25P](#) [CT2-14S-2PCA34](#) [CT2-18-11PCAU](#) [CT6-10SL-3SC](#) [CT6-10SL-4SC](#) [CT6-14S-2SC](#) [CT6E14SA7SC](#) [M83513/01-FC](#) [M83723/76W24619 L/C](#) [M85049/48-3-2F](#) [6STD09PCM99B70X](#) [6STD09SCM99B30X](#) [6STD09SCT99S40X](#) [6STD15PCT99S40X](#) [6STD15SCM99B30X](#) [6STD15SCT99S40X](#) [6STF09PCM05B70X](#) [7-135760-9](#) [MC11E-10-6SN](#) [747552-3](#) [MD1-21PS](#) [MDM-15SCBRM7-F222](#) [MDM96517-699](#) [MDM96521-744](#) [MDVB1-21SL1](#) [MIK0-1-7SH003](#) [MIKQ6-7SH076](#) [MIKQ7-7PH077](#) [MIKQ7-7PH11](#) [MIKQ7-7PH32](#) [MJSV-28SL61](#) [MKJ4A1F14-55S](#) [8-135760-3](#) [8STD09PCM99B30X](#) [PG-KV/PV-16-GROM-SEALING](#) [GDA15P](#) [GDAY15PB](#)