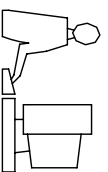
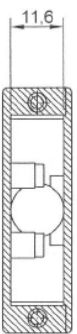
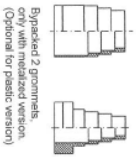


THIS IS A C.A.D. GENERATED DRAWING
DO NOT MAKE MANUAL REVISIONS TO MASTER.

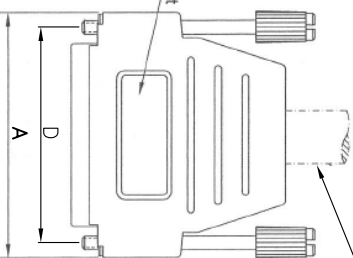
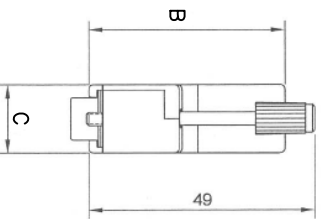


BACKSHELL KIT INCLUDES:

- (2) BACKSHELL HALVES
- (3)-4-40 THUMBSCREWS
- (2) CLAMP SCREWS
- (2) CLAMP SCREWS
- (1) BLANKING PLUG
- (1) SET OF COMPRESSION INSERTS-VARIOUS SIZES FOR 9-37

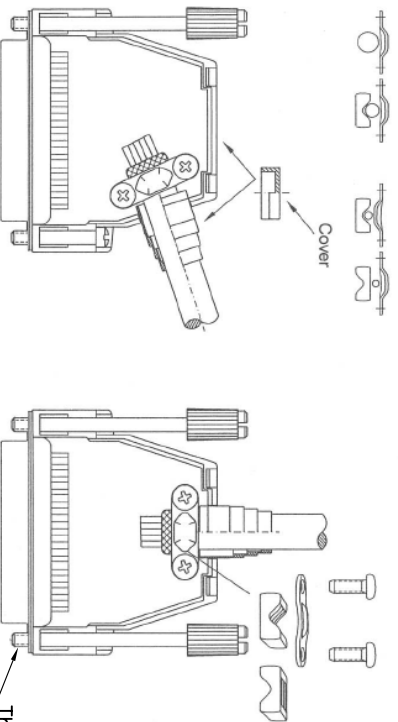


Blanking plug
49mm diameter
(Optional for plastic version)



Logo upon request

max O.D 11,5mm



Thread UNC4-40

BACKSHELL MATERIAL: ABS,UL RECOGNIZED BLACK
JACKSCREWS: STEEL:ZN PLATED WITH PLASTIC KNOB
COMPRESSION INSERT: ABS,UL RECOGNIZED
CLAMP SCREW: STEEL:ZN PLATED
OPERATING TEMP: -55°C TO+110°C



THIS SERIES FULLY CONFORMS TO THE
EUROPEAN UNION DIRECTIVES 2002/95/EC
AND 2002/96/EC FOR ROHS COMPLIANCY.

* UNLESS OTHERWISE SPECIFIED TOLERANCES
ON DECIMAL IS: ANGLE ± 1°
UNIT: MM .XX ± 0.35

DIMENSIONS(mm/in)

| SIZE | A ±.25 ±0.10 | | B ±.25 ±0.10 | | C ±.25 ±0.10 | | D ±.13 ±.05 | |
|------|-----------------|-------|-----------------|-------|-----------------|-------|----------------|-------|
| | mm | in | mm | in | mm | in | mm | in |
| 9 | 31.5 | 1.240 | 40.0 | 1.575 | 15.00 | 0.591 | 24.99 | 0.984 |
| 15 | 40.0 | 1.575 | 40.0 | 1.575 | 15.00 | 0.591 | 33.32 | 1.312 |
| 25 | 53.5 | 2.106 | 43.0 | 1.693 | 15.00 | 0.591 | 47.04 | 1.852 |
| 37 | 71.3 | 2.807 | 40.0 | 1.575 | 15.00 | 0.591 | 63.50 | 2.500 |

ORDERING INFORMATION:

| SIZE | P/N - KITTED | PRODUCT CODE |
|--------|--------------|----------------|
| 9-WAY | 6260-0107-01 | MHDSK-P-09-L-K |
| 15-WAY | 6260-0107-02 | MHDSK-P-15-L-K |
| 25-WAY | 6260-0107-03 | MHDSK-P-25-L-K |
| 37-WAY | 6260-0107-14 | MHDSK-P-37-S-K |

| SIZE | P/N - BULK | PRODUCT CODE |
|--------|--------------|--------------|
| 9-WAY | 6261-0107-01 | MHDSK-P-09-L |
| 15-WAY | 6261-0107-02 | MHDSK-P-15-L |
| 25-WAY | 6261-0107-03 | MHDSK-P-25-L |
| 37-WAY | 6261-0107-14 | MHDSK-P-37-S |

THESE DRAWINGS AND SPECIFICATIONS ARE THE
PROPERTY OF MH CONNECTORS LTD. AND SHALL NOT
BE REPRODUCED, COPIED OR USED AS THE BASIS FOR
THE MANUFACTURE OR SALE OF APPARATUS WITHOUT
WRITTEN PERMISSION.

DRAWN

Johnny

DATE

12-04-12

APPROVED

DATE

SCALE

1:1

SHEET OF

1 DF 1

REV:

1.0

MH CONNECTORS LTD.



DRAWING No
MHDSK-P-XX-L/S

X-ON Electronics

Largest Supplier of Electrical and Electronic Components

Click to view similar products for [D-Sub Standard Connectors](#) category:

Click to view products by [MH Connectors](#) manufacturer:

Other Similar products are found below :

[DCM37S732N](#) [DAM15P500](#) [DEV09S364GTLF](#) [DEM09P032N](#) [DDM50P732N](#) [DAM15S332N](#) [173109-2218](#) [173109-2466](#) [173109-2436](#)
[173109-2435](#) [56F706-005-LI](#) [56F711-015](#) [015-0341-000](#) [015-0372-008](#) [015-8544-011](#) [017041-0005](#) [020419-0104](#) [012-0515-000](#) [012-9507-](#)
[034](#) [012-9507-114](#) [012-9534-001](#) [020745-0008](#) [609-25P](#) [M24308/2-23Z](#) [M243082310F](#) [M243082410F](#) [M243082411F](#) [M24308/4-21](#)
[CT1A18-11PSA206](#) [CT1N36-5SC](#) [CT2-16S-17PS](#) [CT2-20-15PCAU](#) [CT2-24-12PS](#) [CT2-24-28PSF127A206](#) [CT2-32-9PC](#) [CT6F9767-14-4-](#)
[14S-5PC](#) [CT6FA10SL-4PS](#) [CT7-18-10SC](#) [CT7-18-10SCAU](#) [CT7-18-12SCAU](#) [CT7-18-1PC](#) [CT7-18-1PCAU](#) [CT7-18-21SCAU](#) [M83513/01-](#)
[FC](#) [M83723/76W24619 L/C](#) [M85049/48-3-2F](#) [69001-865](#) [6STD09PCM99B70X](#) [6STD09SCM99B30X](#) [6STD09SCT99S40X](#)