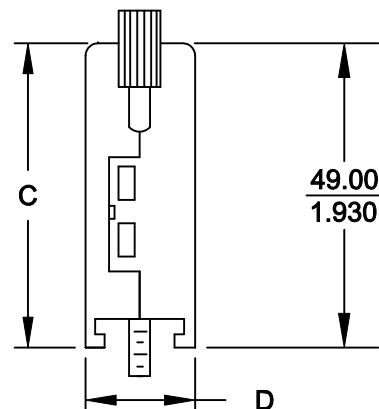
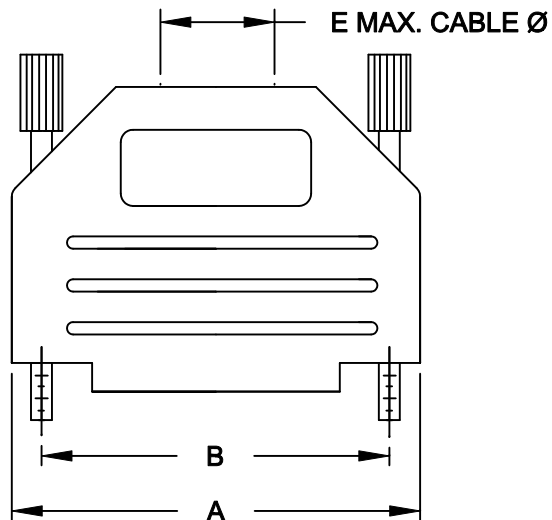


BACKSHELL KIT INCLUDES:

- (1) BACKSHELL
 - (2) 4-40 THUMBSCREWS
 - (1) PLASTIC STRAIN RELIEF
 - (1) METAL STRAIN RELIEF CLAMP
 - (2) STRAIN RELIEF SCREWS
- TORQUE VALUE ON PLASTIC FOR STRAIN RELIEF SCREWS = 4 INCH POUNDS MAX.

DIMENSIONS (mm/in)					
SIZE	A $\pm .38$ $\pm .015$	B $\pm .25$ $\pm .010$	C $\pm .38$ $\pm .015$	D $\pm .38$ $\pm .015$	E
9	31.50	24.99	34.00	15.00	8.00
	1.240	0.984	1.339	0.591	0.315
15	40.00	33.32	34.00	15.00	11.50
	1.575	1.312	1.339	0.591	0.453
25	53.50	47.04	40.00	15.00	11.50
	2.106	1.852	1.575	0.591	0.453
37	71.00	63.50	40.00	15.00	11.50
	2.795	2.500	1.575	0.591	0.453
50	67.50	61.11	40.00	19.00	14.00
	2.657	2.406	1.575	0.748	0.551



ORDERING INFORMATION: (YY = COLOR)

SIZE	P/N- KITTED:	P/N - BULK:
9-WAY	MHDPPK9-YY-K	MHDPPK9-YY
15-WAY	MHDPPK15-YY-K	MHDPPK15-YY
25-WAY	MHDPPK25-YY-K	MHDPPK25-YY
37-WAY	MHDPPK37-YY-K	MHDPPK37-YY
50-WAY	MHDPPK50-YY-K	MHDPPK50-YY

COLOR CODE CHART:

- BLACK = BK
- LIGHT GREY = LG
- DEC GREY = DE
- RED = R
- BLUE = B
- YELLOW = Y
- GREEN = G
- WHITE = W

MATERIAL: POLYAMIDE PA66 - UL RECOGNIZED MATERIAL
SEE COLOR CODE CHART

THUMBSCREWS: STEEL, BLACK OXIDE (FOR BLACK HOODS)
STEEL, Zn PLATED (FOR COLORED HOODS)

OPERATING TEMP: -55°C TO +110°C

THESE DRAWINGS AND SPECIFICATIONS ARE THE PROPERTY OF MH CONNECTORS LTD. AND SHALL NOT BE REPRODUCED, COPIED OR USED AS THE BASIS FOR THE MANUFACTURE OR SALE OF APPARATUS WITHOUT WRITTEN PERMISSION.

DRAWN	DATE
P. JENKINS	03-14-12

APPROVED	DATE
D. CROFT	03-14-12

SCALE	SHEET	OF	REV:
NTS	1	1	B

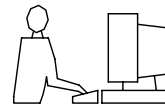
DRAWING No
MHDPPK-SLIM SERIES

RoHS COMPLIANT



MH CONNECTORS LTD.

THIS IS A C.A.D. GENERATED DRAWING
DO NOT MAKE MANUAL REVISIONS TO MASTER.



* UNLESS OTHERWISE SPECIFIED TOLERANCES
ON DECIMAL IS: ANGLE $\pm 1^\circ$
.X ± 0.15
.XX ± 0.05

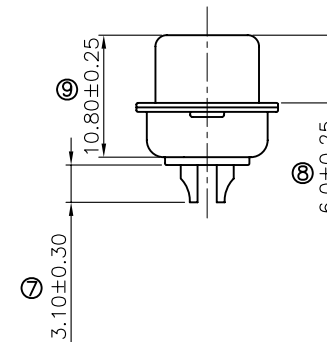
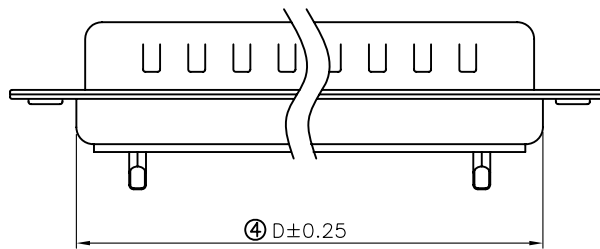
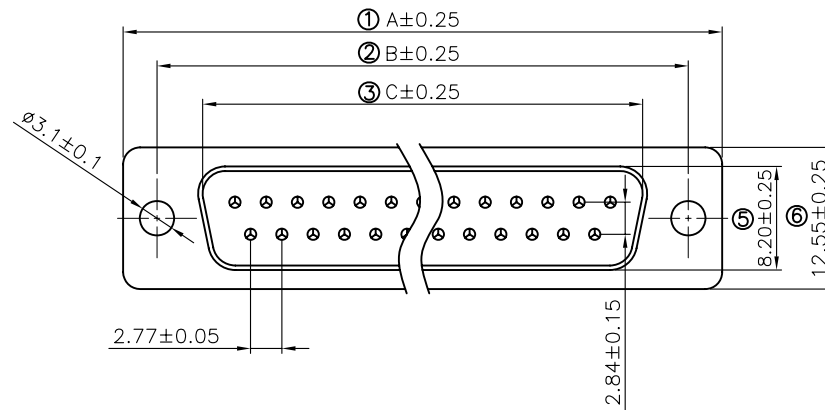
Remark:

1.SPECIFICATION:

Rated voltage:250V
Rates current:5AMP
Contact resistance:20MΩ MAX
Insulation resistance:1000MΩ MIN.at 500V DC
Withstand voltage:500V Per mintute
Temperature range:-55 -105°C

2.MATERIAL:

Plastic:PBT+30% G.F (UL94V-0) BLACK
Terminal:brass ,tin-gold plated
Spcc shell:Spcc front shell is ni plated back shell is tin plated



PN	PIN	A	B	C	D
MHDB9SP	09	30.81	24.99	16.92	19.28
MHDB15SP	15	39.25	33.32	25.25	27.75
MHDB25SP	25	53.03	47.04	38.96	41.30
MHDB37SP	37	69.50	63.50	55.42	57.40

THESE DRAWINGS AND SPECIFICATIONS ARE THE PROPERTY OF MH CONNECTORS LTD. AND SHALL NOT BE REPRODUCED, COPIED OR USED AS THE BASIS FOR THE MANUFACTURE OR SALE OF APPARATUS WITHOUT WRITTEN PERMISSION.

DRAWN Johnny	DATE 07-16-12
APPROVED	DATE

SCALE 1:1	SHEET OF 1 OF 1	REV: 1
--------------	--------------------	-----------

DRAWING No
MHDB SP



THIS SERIES FULLY CONFORMS TO THE EUROPEAN UNION DIRECTIVES 2002/95/EC AND 2002/96/EC FOR RoHS COMPLIANCY.



MH CONNECTORS LTD.

X-ON Electronics

Largest Supplier of Electrical and Electronic Components

Click to view similar products for [D-Sub Standard Connectors](#) category:

Click to view products by [MH Connectors](#) manufacturer:

Other Similar products are found below :

[LV242999-142T12](#) [015-0341-000](#) [015-0349-000](#) [015-0350-000](#) [015-8544-011](#) [015-8755-001](#) [017041-0005](#) [020419-0104](#) [020745-0008](#) [609-25P](#) [609-9P](#) [CT0-24-10SC](#) [CT0E20-8PS](#) [CT0F16S-1PS](#) [CT0F16S-1SC](#) [CT0TA16-11SXCA232](#) [CT0U22-14PSA206F127](#) [CT1F22-14PC-G9](#) [CT1FC22-2PC](#) [CT2-10SL-3SC](#) [CT2-14S-2PCA34](#) [CT2-18-11PCAU](#) [CT2-22-19SC](#) [CT2-24-28PSF127A206](#) [CT2-28-12SC](#) [CT2-28-12SCA232](#) [CT2-28-12SSA232](#) [CT6-10SL-3SC](#) [CT6-10SL-4SC](#) [CT6-14S-2SC](#) [CT6-16-12SC](#) [CT6-18-10SSF127A206](#) [CT6A16S-5PC](#) [CT6E14S-5SC](#) [CT6E14SA7SC](#) [CT6E22-14PC](#) [CT6E22-14PS](#) [CT6E22-19PS](#) [CT6E22-22PS](#) [CT6E24-10SC](#) [CT6F14S-5SC](#) [CT6F16-10SWC](#) [CT6F16S-1SC](#) [CT6FA10SL-4PS](#) [CT6M16S-5PS](#) [CT6M20-19SS](#) [6STD15PCM99B70X](#) [6STD15SCT99S40X](#) [6STF09PCM05B70X](#) [7-135760-9](#)