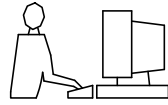


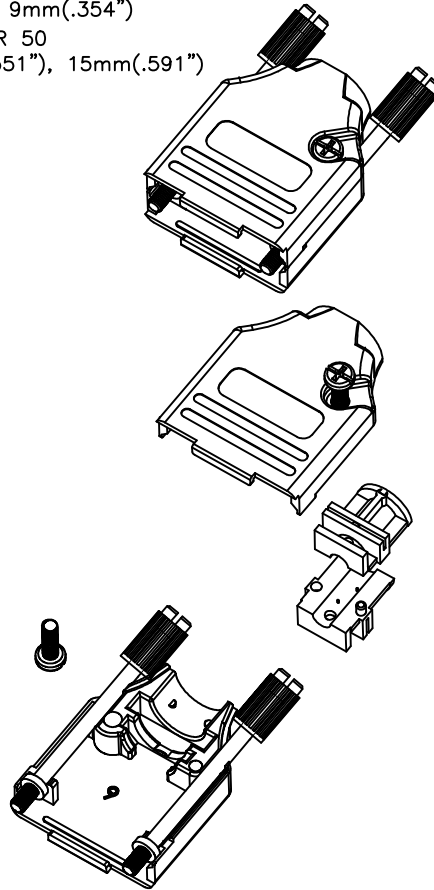
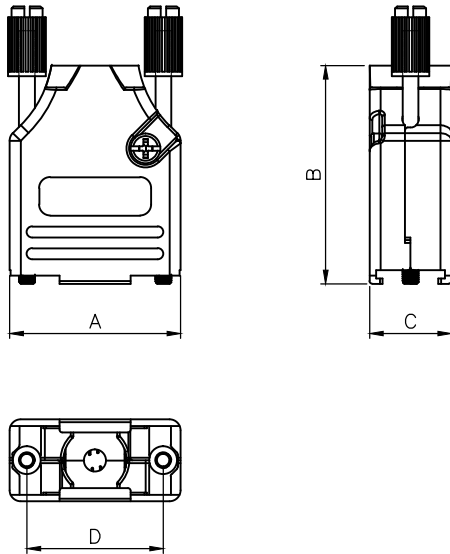
THIS IS A C.A.D. GENERATED DRAWING
DO NOT MAKE MANUAL REVISIONS TO MASTER.



* UNLESS OTHERWISE SPECIFIED TOLERANCES
ON DECIMAL IS: ANGLE $\pm 1^\circ$
UNIT: MM .XX ± 0.35

BACKSHELL KIT INCLUDES:

- (2)BACKSHELL HALVES
- (2)4-40 THUMBSCREWS
- (2)HOUSING SCREWS
- (1)SET OF COMPRESSION INSERTS-VARIOUS SIZES FOR 9-37
DIAMETERS 4mm(.157"), 5mm(.167"), 7mm(.276"), 9mm(.354")
- (1)SET OF COMPRESSION INSERTS-VARIOUS SIZES FOR 50
DIAMETERS 11mm(.433"), 12.5mm(.492"), 14mm(.551"), 15mm(.591")



DIMENSIONS(mm/in)				
SIZE	A ± 0.50 ± 0.02	B ± 0.50 ± 0.02	C ± 0.50 ± 0.02	D ± 0.25 ± 0.01
9	31.20	39.90	15.00	24.99
	1.228	1.571	0.591	0.984
15	39.50	41.50	15.00	33.32
	1.555	1.634	0.591	1.312
25	53.40	48.60	15.00	47.04
	2.102	1.913	0.591	1.852
37	69.70	53.60	15.00	63.50
	2.744	2.110	0.591	2.500
50	67.50	54.00	18.70	61.00
	2.657	2.126	0.736	2.402

BACKSHELL MATERIAL: DIE-CAST ZINC ALLOY
 PLATING: CLEAR CHROMATE FOLLOWED BY BLACK ENAMEL
 JACKSCREWS: STEEL:ZN PLATED WITH PLASTIC KNOB BLACK
 M3 HOODSCREWS: STEEL:BLACK OXIDE FINISH
 COMPRESSION INSERT: ABS,BLACK COLOR,UL RECOGNIZED
 OPERATING TEMP: -40°C TO+120°C

THESE DRAWINGS AND SPECIFICATIONS ARE THE PROPERTY OF MH CONNECTORS AND SHALL NOT BE REPRODUCED, COPIED OR USED AS THE BASIS FOR THE MANUFACTURE OR SALE OF APPARATUS WITHOUT WRITTEN PERMISSION.

DRAWN: Johnny
DATE: 12-14-20

APPROVED: Victor Lin
DATE: 12-14-20

SCALE: 1 : 1
SHEET OF: 1 OF 1
REV: 1.0

DRAWING No: MHDTZK-BK-RA-PC-BK



THIS SERIES FULLY CONFORMS TO THE EUROPEAN UNION DIRECTIVES 2002/95/EC AND 2002/96/EC FOR RoHS COMPLIANCY.



**MH CONNECTORS ,
DIVISION OF EDAC**

X-ON Electronics

Largest Supplier of Electrical and Electronic Components

Click to view similar products for [D-Sub Backshells](#) category:

Click to view products by [MH Connectors](#) manufacturer:

Other Similar products are found below :

[600X54009X](#) [600X56025X](#) [M85049/48-1-2](#) [M85049/6-38N](#) [M85049/86-12N03](#) [70.350.0636.4](#) [72.350.1035.2](#) [73.359.4035.3](#) [747534-2](#)
[829472-1](#) [PCS-E20W](#) [970-015-040R011](#) [971-009-040R011](#) [DD-C4-J13-S1](#) [DPH-B-003](#) [165X02659X](#) [165X10899X](#) [165X11689X](#)
[165X13169X](#) [L171373](#) [971-037-040R011](#) [300X11139X](#) [165X00809X](#) [165X11629XE](#) [165X17189X](#) [165X17449X](#) [300X10179X](#) [500-](#)
[047M37H](#) [500T010J21H08](#) [557-083B1](#) [557B316M535TB8](#) [557E316M536TB6](#) [557S283NF1A05](#) [557T071NF131SB](#) [557T113M232B](#)
[400FS001M2410F2](#) [DA-C8-J10-F1-1R](#) [DB-C2-J9R](#) [DB-C8-J10-F5-1R](#) [419-2080-502](#) [DC-C8-J13-B1-1R](#) [DMHE001](#) [500-016NF09EN](#) [500-](#)
[017M51FN](#) [500T010M15E08](#) [500T010M15H06](#) [500T010NF15B08](#) [500T010NF15H08](#) [500T012M21E](#) [507-146M31EC](#)