

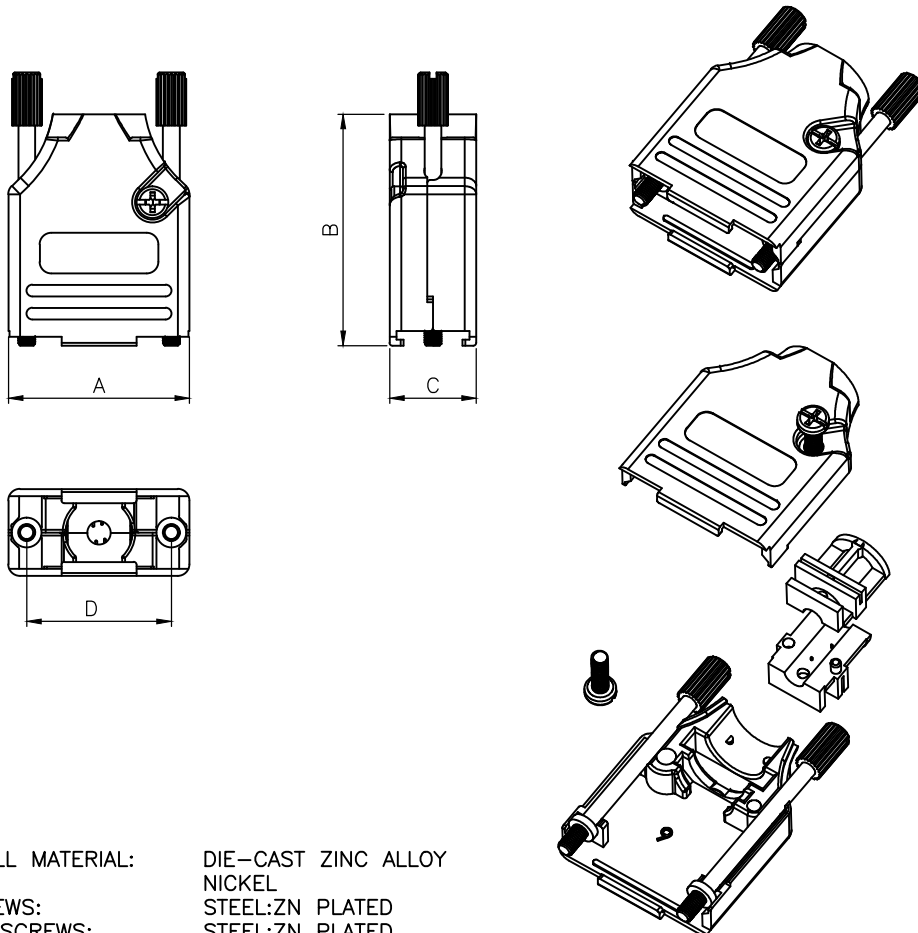
THIS IS A C.A.D. GENERATED DRAWING
DO NOT MAKE MANUAL REVISIONS TO MASTER.



* UNLESS OTHERWISE SPECIFIED TOLERANCES
ON DECIMAL IS: ANGLE $\pm 1^\circ$
UNIT: MM .XX ± 0.35

BACKSHELL KIT INCLUDES:

- (2)BACKSHELL HALVES
- (2)4-40 THUMBSCREWS
- (2)HOUSING SCREWS
- (1)SET OF COMPRESSION INSERTS-VARIOUS SIZES
DIAMETERS 4mm(.157"), 5mm(.167"), 7mm(.276"), 9mm(.354")



DIMENSIONS(mm/in)				
SIZE	A ± 0.50 ± 0.02	B ± 0.50 ± 0.02	C ± 0.50 ± 0.02	D ± 0.25 ± 0.01
9	31.20	39.90	15.00	24.99
	1.228	1.571	0.591	0.984
15	39.50	41.50	15.00	33.32
	1.555	1.634	0.591	1.312
25	53.40	48.60	15.00	47.04
	2.102	1.913	0.591	1.852
37	69.70	53.60	15.00	63.50
	2.744	2.110	0.591	2.500

ORDERING INFORMATION:

SIZE	P/N - KITTED	PRODUCT CODE
9-WAY	6560-0605-01	MHDTZK-9-RA-K
15-WAY	6560-0605-02	MHDTZK-15-RA-K
25-WAY	6560-0605-03	MHDTZK-25-RA-K
37-WAY	6560-0605-04	MHDTZK-37-RA-K

SIZE	P/N - BULK	PRODUCT CODE
9-WAY	6561-0605-01	MHDTZK-9-RA
15-WAY	6561-0605-02	MHDTZK-15-RA
25-WAY	6561-0605-03	MHDTZK-25-RA
37-WAY	6561-0605-04	MHDTZK-37-RA

BACKSHELL MATERIAL: DIE-CAST ZINC ALLOY
PLATING: NICKEL
JACKSCREWS: STEEL:ZN PLATED
M3 HOODSCREWS: STEEL:ZN PLATED
COMPRESSION INSERT: ABS,UL RECOGNIZED
OPERATING TEMP: -40°C TO+120°C

THESE DRAWINGS AND SPECIFICATIONS ARE THE PROPERTY OF MH CONNECTORS LTD. AND SHALL NOT BE REPRODUCED, COPIED OR USED AS THE BASIS FOR THE MANUFACTURE OR SALE OF APPARATUS WITHOUT WRITTEN PERMISSION.

DRAWN: JOHNNY
DATE: 06-24-15

APPROVED: DAMIEN
DATE: 06-30-15

SCALE: 1:1
SHEET OF: 1 OF 1
REV: 5.0



THIS SERIES FULLY CONFORMS TO THE EUROPEAN UNION DIRECTIVES 2002/95/EC AND 2002/96/EC FOR RoHS COMPLIANCY.



MH CONNECTORS LTD.

DRAWING No
MHDTZK-RA

X-ON Electronics

Largest Supplier of Electrical and Electronic Components

Click to view similar products for [mh connectors manufacturer](#):

Other Similar products are found below :

[MHDCMR37-ULP](#) [CCOV-37SC-BLACK](#) [C88E310000](#) [DSSKP15L-DB15S-K](#) [MHD45ZK25-DM25P-K](#) [MHHDS26-F-T-B-S](#) [MHCCOV-25SC-BK](#) [MHDTZK15-RA-K](#) [DSSKM15L-DB15S-K](#) [MHDM25-DM25P-K](#) [BNC4MML1MRG58](#) [RJ45SRB-RET-O](#) [MHDPPK25-Y-K](#) [MHDM9-DB9P-K](#) [MHCCOV-9ME](#) [BNCL2.0MRG58](#) [MHDD15-F-T-B-M](#) [MHDTZK25-K](#) [MHRJ126P6CR](#) [RJ45SRB-LGREY](#) [MHED-DS25S](#) [BNCL1.0MRG58](#) [MHDM25-K](#) [RG58SRB-G](#) [MHD45PK37-K](#) [MHDTPPK25-DB25SK](#) [MHDU45ZK09-K](#) [DA9-PMJ8-B-K](#) [MHD45ZK50-K](#) [MHDD25-M-T-B-S](#) [RG58SRB-R](#) [MHDB50SP](#) [MH3101S-8821](#) [RJ45SRB-RED](#) [MHRJ116P4CR](#) [MHTRI-M-9-K](#) [MHDM35-9-K](#) [DSSKM25L-DB25P-K](#) [MHDPPK-M-37-K](#) [MHDTPPK37-K](#) [MHRJJ44NFV](#) [GA0909FFLGK-RC](#) [DA9-SMJ8-R-K](#) [RG58SRB-BE](#) [MHDM25-DB25P-K](#) [MHCCOV-15SN-LG](#) [MHDTZK9-RA-K](#) [MHDVSL25-K](#) [MHCCOV-25SC-LG](#) [DJF-14](#)