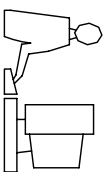
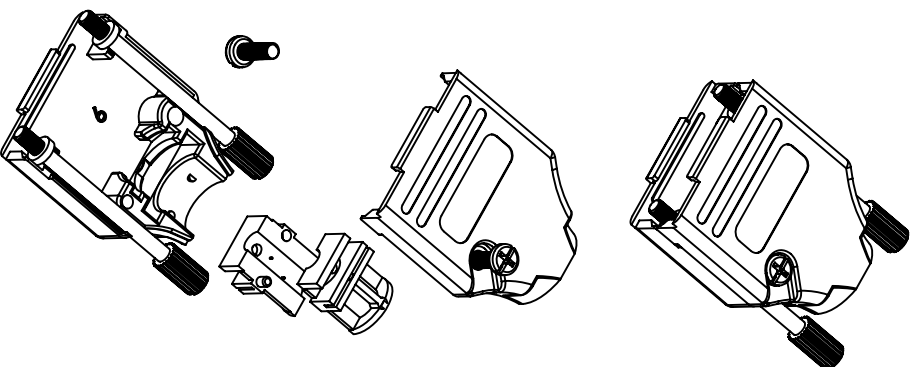
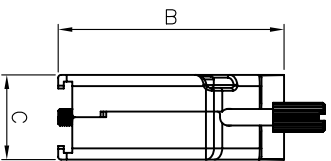
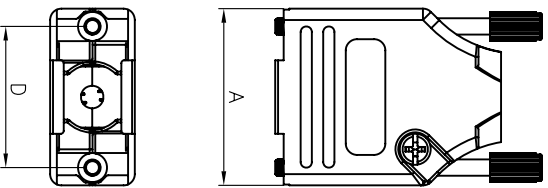


THIS IS A C.A.D. GENERATED DRAWING  
DO NOT MAKE MANUAL REVISIONS TO MASTER.



**BACKSHELL KIT INCLUDES:**

- (2) BACKSHELL HALVES
  - (2) 4-40 THUMBSCREWS
  - (2) HOUSING SCREWS
  - (1) SET OF COMPRESSION INSERTS-VARIOUS SIZES
- DIAMETERS 4mm(.157"), 5mm(.167"), 7mm(.276"), 9mm(.354")



DIMENSIONS(mm/in)				
SIZE	A $\pm .25$ A $\pm .010$	B $\pm .25$ B $\pm .010$	C $\pm .25$ C $\pm .010$	D $\pm .13$ D $\pm .005$
9	31.20	39.90	15.00	24.99
	1.228	1.571	0.591	0.984
15	39.50	41.50	15.00	33.32
	1.555	1.634	0.591	1.312
25	53.40	48.60	15.00	47.04
	2.102	1.913	0.591	1.852
37	69.70	53.60	15.00	63.50
	2.744	2.110	0.591	2.500

**ORDERING INFORMATION:**

SIZE	P/N - KITTED	PRODUCT CODE
9-WAY	6560-0605-01	MHDTZK-9-RA-K
15-WAY	6560-0605-02	MHDTZK-15-RA-K
25-WAY	6560-0605-03	MHDTZK-25-RA-K
37-WAY	6560-0605-04	MHDTZK-37-RA-K

SIZE	P/N - BULK	PRODUCT CODE
9-WAY	6561-0605-01	MHDTZK-9-RA
15-WAY	6561-0605-02	MHDTZK-15-RA
25-WAY	6561-0605-03	MHDTZK-25-RA
37-WAY	6561-0605-04	MHDTZK-37-RA

BACKSHELL MATERIAL:  
PLATING:  
JACKSCREWS:  
M3 HOODSCREWS:  
COMPRESSION INSERT:  
OPERATING TEMP:

DIE-CAST ZINC ALLOY  
NICKEL  
STEEL-ZN PLATED  
STEEL-ZN PLATED  
ABS, UL RECOGNIZED  
-40°C TO+120°C



THIS SERIES FULLY CONFORMS TO THE  
EUROPEAN UNION DIRECTIVES 2002/95/EC  
AND 2002/96/EC FOR ROHS COMPLIANCY.



THESE DRAWINGS AND SPECIFICATIONS ARE THE  
PROPERTY OF MH CONNECTORS LTD. AND SHALL NOT  
BE REPRODUCED, COPIED OR USED AS THE BASIS FOR  
THE MANUFACTURE OR SALE OF APPARATUS WITHOUT  
WRITTEN PERMISSION.

DRAWN	DATE
JDHNNY	09-06-12
APPROVED	DATE

**MH CONNECTORS LTD.**

SCALE	SHEET	OF	REV.:
1:1	1	DF 1	2.0
DRAWING No		MHDTZK-RA	

\* UNLESS OTHERWISE SPECIFIED TOLERANCES  
ON DECIMAL IS: ANGLE  $\pm .1^\circ$   
UNIT: MM .XX  $\pm$  0.35

## X-ON Electronics

Largest Supplier of Electrical and Electronic Components

*Click to view similar products for [mh connectors manufacturer](#):*

Other Similar products are found below :

[MHDCMR37-ULP](#) [CCOV-37SC-BLACK](#) [C88E310000](#) [DSSKP15L-DB15S-K](#) [MHD45ZK25-DM25P-K](#) [MHHDS26-F-T-B-S](#) [MHCCOV-25SC-BK](#) [MHDTZK15-RA-K](#) [DSSKM15L-DB15S-K](#) [MHDM25-DM25P-K](#) [BNC4MML1MRG58](#) [RJ45SRB-RET-O](#) [MHDPPK25-Y-K](#) [MHDM9-DB9P-K](#) [MHCCOV-9ME](#) [BNCL2.0MRG58](#) [MHDD15-F-T-B-M](#) [MHDTZK25-K](#) [MHRJ126P6CR](#) [RJ45SRB-LGREY](#) [MHED-DS25S](#) [BNCL1.0MRG58](#) [MHDM25-K](#) [RG58SRB-G](#) [MHD45PK37-K](#) [MHDTPPK25-DB25SK](#) [MHDU45ZK09-K](#) [DA9-PMJ8-B-K](#) [MHD45ZK50-K](#) [MHDD25-M-T-B-S](#) [RG58SRB-R](#) [MHDB50SP](#) [MH3101S-8821](#) [RJ45SRB-RED](#) [MHRJ116P4CR](#) [MHTRI-M-9-K](#) [MHDM35-9-K](#) [DSSKM25L-DB25P-K](#) [MHDPPK-M-37-K](#) [MHDTPPK37-K](#) [MHRJJ44NFV](#) [GA0909FFLGK-RC](#) [DA9-SMJ8-R-K](#) [RG58SRB-BE](#) [MHDM25-DB25P-K](#) [MHCCOV-15SN-LG](#) [MHDTZK9-RA-K](#) [MHDVSL25-K](#) [MHCCOV-25SC-LG](#) [DJF-14](#)