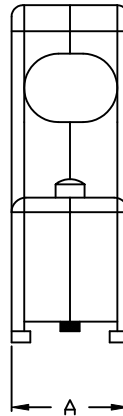
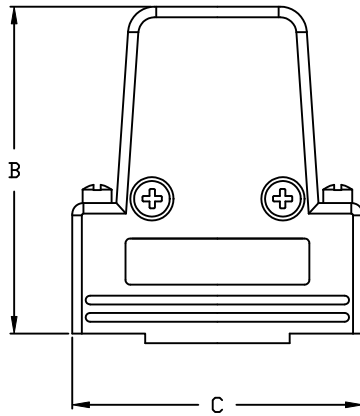


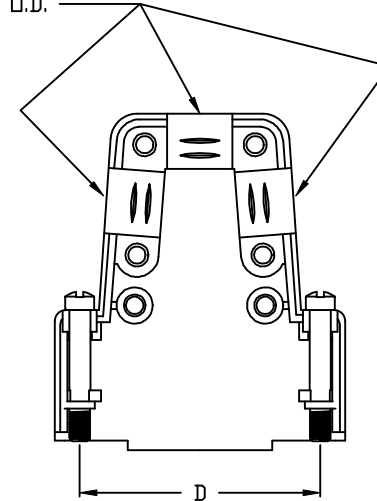
# BACKSHELL KIT INCLUDES:

- (2) BACKSHELL HAVLES
- (2) 4-40 JACKSCREWS
- (2) HOUSING SCREWS (self-tapping)
- (2) STRAIN RELIEF CLAMP
- (4) STRAIN RELIEF SCREWS (self-tapping)
- (2) CABLE SLOT SHUT-OFFS

| DIMENSIONS (mm/in) |   |   |   |   |       |
|--------------------|---|---|---|---|-------|
| SIZE               | A $\pm \begin{smallmatrix} .38 \\ .015 \end{smallmatrix}$ | B $\pm \begin{smallmatrix} .25 \\ .010 \end{smallmatrix}$ | C $\pm \begin{smallmatrix} .38 \\ .015 \end{smallmatrix}$ | D $\pm \begin{smallmatrix} .38 \\ .015 \end{smallmatrix}$ | E     |
| 9                  | 15.00   | 45.20   | 31.00   | 24.99   | 5.84  |
|                    | 0.590   | 1.780   | 1.220   | 0.984   | 0.230 |
| 15                 | 15.00   | 45.20   | 40.30   | 33.32   | 8.63  |
|                    | 0.590   | 1.780   | 1.587   | 1.312   | 0.340 |
| 25                 | 15.00   | 45.20   | 53.50   | 47.04   | 10.16 |
|                    | 0.590   | 1.780   | 2.106   | 1.852   | 0.400 |
| 37                 | 15.00   | 45.20   | 70.00   | 63.50   | 10.54 |
|                    | 0.590   | 1.780   | 2.756   | 2.500   | 0.415 |



E = MAX CABLE D.D.



## MATERIAL:

BACKSHELL PLASTIC: ABS - UL RECOGNIZED  
 PLATING: NICKEL  
 4-40 JACKSCREWS: STEEL - STEEL - Zn PLATED  
 HOUSING SCREWS: STEEL - STEEL - Zn PLATED  
 STRAIN RELIEF CLAMP: STEEL - Zn PLATED  
 STRAIN RELIEF SCREWS: STEEL - Zn PLATED  
 CABLE SLOT SHUTOFFS: ABS - UL RECOGNIZED - NICKEL PLATED  
 OPERATING TEMP: -55°C TO +110°C

## ORDERING INFORMATON:

| SIZE   | P/N KITTED:  | PRODUCT CODE: |
|--------|--------------|---------------|
| 9-WAY  | 6550-0100-01 | MHTRI-M-09-K  |
| 15-WAY | 6550-0100-02 | MHTRI-M-15-K  |
| 25-WAY | 6550-0100-03 | MHTRI-M-25-K  |
| 37-WAY | 6550-0100-04 | MHTRI-M-37-K  |

THESE DRAWINGS AND SPECIFICATIONS ARE THE PROPERTY OF MH CONNECTORS LTD. AND SHALL NOT BE REPRODUCED, COPIED OR USED AS THE BASIS FOR THE MANUFACTURE OR SALE OF APPARATUS WITHOUT WRITTEN PERMISSION.

|                |       |          |      |
|----------------|-------|----------|------|
| DRAWN          |       | DATE     |      |
| P. JENKINS     |       | 03-14-12 |      |
| APPROVED       |       | DATE     |      |
| D. CROFT       |       | 03-14-12 |      |
| SCALE          | SHEET | OF       | REV: |
| NTS            | 1     | 1        | A    |
| DRAWING No     |       |          |      |
| MHTRI-M SERIES |       |          |      |

RoHS COMPLIANT



MH CONNECTORS LTD.

## X-ON Electronics

Largest Supplier of Electrical and Electronic Components

*Click to view similar products for [mh connectors](#) manufacturer:*

Other Similar products are found below :

[MHDCMR37-ULP](#) [C88E310000](#) [MHD45ZK25-DM25P-K](#) [MHCCOV-25SC-BK](#) [MHDTZK15-RA-K](#) [DSSKP15L-DB15S-K](#) [DSSKM15L-DB15S-K](#) [MHDM25-DM25P-K](#) [MHRJ126P4CR](#) [BNC4MML1MRG58](#) [RJ45SRB-RET-O](#) [MHDPPK25-Y-K](#) [MHCCOV-9ME](#) [BNCL2.0MRG58](#) [MHDD15-F-T-B-M](#) [MHDD9-M-T-B-M](#) [MHDM15-K](#) [MHDTZK25-K](#) [MHRJ126P6CR](#) [MHDM9-DB9P-K](#) [RJ45SRB-LGREY](#) [MHED-DS25S](#) [BNCL1.0MRG58](#) [MHDM25-K](#) [RG58SRB-G](#) [MHD45PK37-K](#) [MHDTPPK25-DB25SK](#) [MHDU45ZK09-K](#) [DA9-PMJ8-B-K](#) [MHD45ZK50-K](#) [MHDD25-M-T-B-S](#) [MHDB50SP](#) [MH3101S-8821](#) [RG58SRB-R](#) [MHRJ116P4CR](#) [MHTRI-M-9-K](#) [MHDD25-F-T-B-M](#) [MHDM9-DB9S-K](#) [MHDPPK-M-37-K](#) [MHDTPPK37-K](#) [DA9-SMJ8-R-K](#) [RG58SRB-BE](#) [MHDM25-DB25P-K](#) [GA0909FFLGK-RC](#) [MHCCOV-15SN-LG](#) [MHDTZK9-RA-K](#) [DSSKM25L-DB25P-K](#) [MHD45ZK9-DM9P-K](#) [MHDVSL25-K](#) [MHCCOV-25SC-LG](#)