

## SAW Resonator

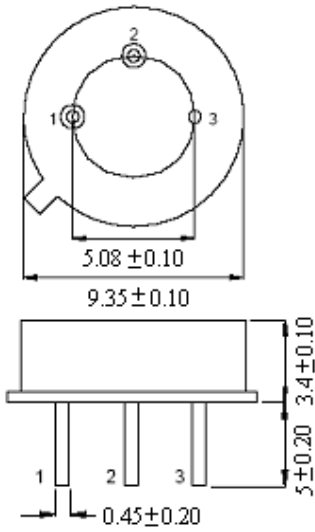
## NDR Series

### SAW Resonator - Remote Control Products

Frequency	Type	Tolerance/Bandwidth	Package
300.000MHz	One-port	±75kHz / ±250kHz	TO - 39
303.825MHz	One-port	±75kHz / ±250kHz	TO - 39
303.875MHz	One-port	±75kHz / ±250kHz	TO - 39
303.875MHz	One-port	±75kHz / ±250kHz	TO - 39
304.300MHz	One-port	±75kHz / ±250kHz	TO - 39
310.000MHz	One-port	±75kHz / ±250kHz	TO - 39
311.600MHz	One-port	±75kHz / ±250kHz	TO - 39
312.000MHz	One-port	±75kHz / ±250kHz	TO - 39
314.500MHz	One-port	±75kHz / ±250kHz	TO - 39
315.000MHz	One-port	±75kHz / ±250kHz	SMD 5X3.5
315.000MHz	One-port	±75kHz / ±250kHz	F-11-SMD
315.000MHz	One-port	±75kHz / ±250kHz	TO - 39
315.000MHz	One-port	±75kHz / ±250kHz	F-11
315.000MHz	One-port	±75kHz / ±250kHz	SMD 5X5
315.000MHz	One-port	±75kHz / ±250kHz	TO - 39
315.500MHz	One-port	±75kHz / ±250kHz	SMD 5X3.5
316.800MHz	One-port	±75kHz / ±250kHz	TO - 39
318.000MHz	One-port	±75kHz / ±250kHz	TO - 39
319.500MHz	One-port	±75kHz / ±250kHz	TO - 39
333.000MHz	One-port	±75kHz / ±250kHz	TO - 39
333.000MHz	One-port	±75kHz / ±250kHz	F-11
340.000MHz	One-port	±75kHz / ±250kHz	TO - 39
345.000MHz	One-port	±75kHz / ±250kHz	SMD 5X3.5
345.000MHz	One-port	±75kHz / ±250kHz	TO - 39
350.000MHz	One-port	±75kHz / ±250kHz	TO - 39
360.000MHz	One-port	±75kHz / ±250kHz	TO - 39
372.500MHz	One-port	±75kHz / ±250kHz	SMD 5X3.5
390.000MHz	One-port	±75kHz / ±250kHz	TO - 39
395.000MHz	One-port	±75kHz / ±250kHz	TO - 39
395.500MHz	One-port	±75kHz / ±250kHz	TO - 39
403.550MHz	One-port	±75kHz / ±250kHz	SMD 5X5
418.000MHz	One-port	±75kHz / ±250kHz	TO - 39
422.000MHz	One-port	±75kHz / ±250kHz	TO - 39
423.220MHz	One-port	±75kHz / ±250kHz	TO - 39

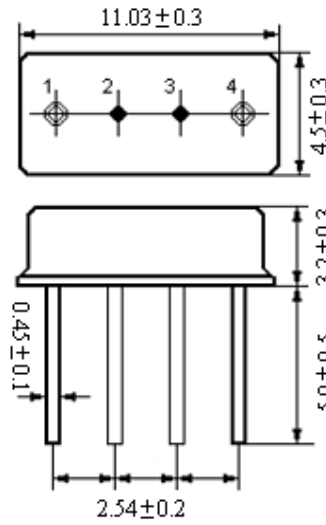
### SAW Resonator - Communications

Frequency	Type	Package
350.000MHz	One-port	TO-39
433.920MHz	One-port	TO-39
669.500MHz	Two-port	TO-39
677.500MHz	Two-port	TO-39



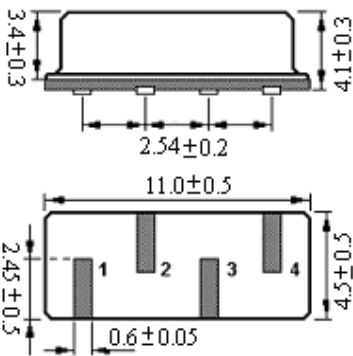
TO 39

Pin Function  
 1 Input/Output  
 2 Output/Input  
 3 Case Ground



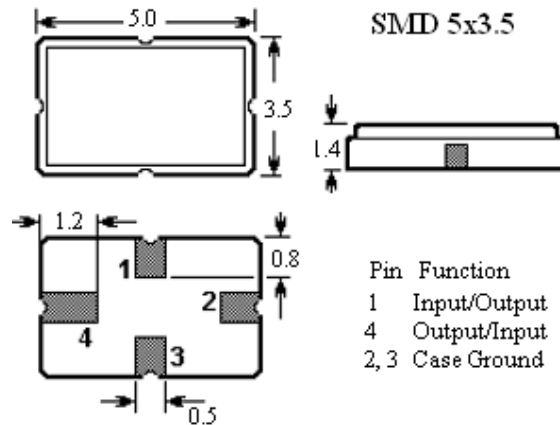
F11

Pin Function  
 1 Input/Output  
 4 Output/Input  
 2, 3 Case Ground



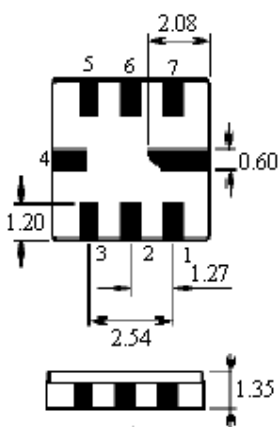
F11-SMD

Pin Function  
 1 Input/Output  
 4 Output/Input  
 2, 3 Case Ground



SMD 5x3.5

Pin Function  
 1 Input/Output  
 4 Output/Input  
 2, 3 Case Ground



SMD 5x5

Pin Function  
 2 Input / Output  
 6 Output / Input  
 4, 8 Case Ground  
 1, 3, 5, 7 Empty

## X-ON Electronics

Largest Supplier of Electrical and Electronic Components

*Click to view similar products for [Resonators](#) category:*

*Click to view products by [MIC](#) manufacturer:*

Other Similar products are found below :

[B39431R820H210](#) [CSAC2.00MGCM-TC](#) [ECS-HFR-40.00-B-TR](#) [CSTLS4M00G53Z-A0](#) [ZTB455E](#) [ECS-CR2-16.00-A-TR](#) [ECS-HFR-20.00-B-TR](#) [ECS-CR2-20.00-A-TR](#) [RO3164E-3](#) [ASR418S2-T](#) [CSTNE10M0G520000R0](#) [CSTLS8M00G53093-A0](#) [CSTNE12M0G52A000R0](#) [CSTLS18M4X54-A0](#) [CSTLS16M9X53Z-B0](#) [CSTLS24M0X51-A0](#) [CSTLS25M0X51-B0](#) [CSTLS18M0X51-B0](#) [CSTLS4M00G53093-A0](#) [CSTLS18M4X53-A0](#) [CSTNE16M0V510000R0](#) [CSTLS30M0X53-B0](#) [CSTLS33M8X53-B0](#) [CSTLS16M9X53-A0](#) [CSTLS6M40G56-B0](#) [CSTLS6M25G56-A0](#) [CSTNE14M7V510000R0](#) [CSTLS18M4X53-B0](#) [CSTLS33M0X51-B0](#) [CSTLS5M50G56-B0](#) [7B008000I01](#) [7D038400I01](#) [TAXM24M2ILDBET2T](#) [TAXM26M2IHDBET2T](#) [146-32.768-12.5-20-20/A](#) [3225-24.00-12-10-10/A](#) [7B009843M01](#) [CF4016M00009T8188042](#) [S32400001B0730D1JB](#) [X252016MLB4SI](#) [Q24FA20H00389](#) [CSTLS16M0X54-B0](#) [CSTLS4M19G56-B0](#) [9AC04194152080D2JB](#) [CST3.58MGW](#) [CSTCR4M91G55B-R0](#) [CSTLS3M68G56-B0](#) [S2100327072090](#) [FC-12M32.768KHZ9PF20PPM](#) [ASR315S2](#)