

## Low Voltage 1.2V/1.8V/2.5V CML 2:1 MUX 6.4 Gbps with Equalization

### Features

- 1.2V/1.8V/2.5V CML 2:1 MUX
- Equalizes 9, 18, 27 inches of FR4
- Guaranteed AC Performance over Temperature and Voltage:
  - DC-to >6.4 Gbps Throughput
  - DC-to >4.5 GHz Clock Throughput
  - <280 ps Propagation Delay (IN-to-Q)
  - <20 ps Input Skew
  - <80 ps Rise/Fall Times
- Ultra-Low Jitter Design
  - 1 ps<sub>RMS</sub> Cycle-to-Cycle Jitter
- High-Speed CML Outputs
- 2.5V ±5% V<sub>CC</sub>, 1.2/1.8V/2.5V ±5% V<sub>CCO</sub> Power Supply Operation
- Industrial Temperature Range: -40°C to +85°C
- Available In 16-Lead (3 mm x 3 mm) QFN Package

### Applications

- Data Distribution
- SONET Clock and Data Distribution
- Fibre Channel Clock and Data Distribution
- Gigabit Ethernet Clock And Data Distribution

### Markets

- Storage
- ATE
- Test and Measurement
- Enterprise Networking Equipment
- High-End Servers
- Metro Area Network Equipment

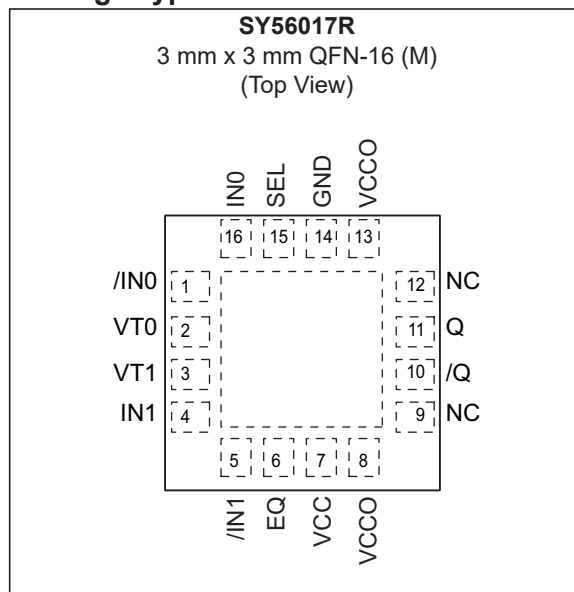
### General Description

The SY56017R is a fully differential, low voltage 1.2V/1.8V/2.5V CML 2:1 MUX with input equalization. The SY56017R can process clock signals as fast as 4.5 GHz or data patterns up to 6.4 Gbps.

The differential input includes Microchip's unique, 3-pin input termination architecture that interfaces to CML differential signals, without any level-shifting or termination resistor networks in the signal path. The differential input can also accept AC-coupled LVPECL and LVDS signals. Input voltages as small as 200 mV (400 mV<sub>PP</sub>) are applied before the 9", 18", or 27" FR4 transmission line. For AC-coupled input interface applications, an internal voltage reference is provided to bias the VT pin. The outputs are CML, with extremely fast rise/fall times guaranteed to be less than 80 ps.

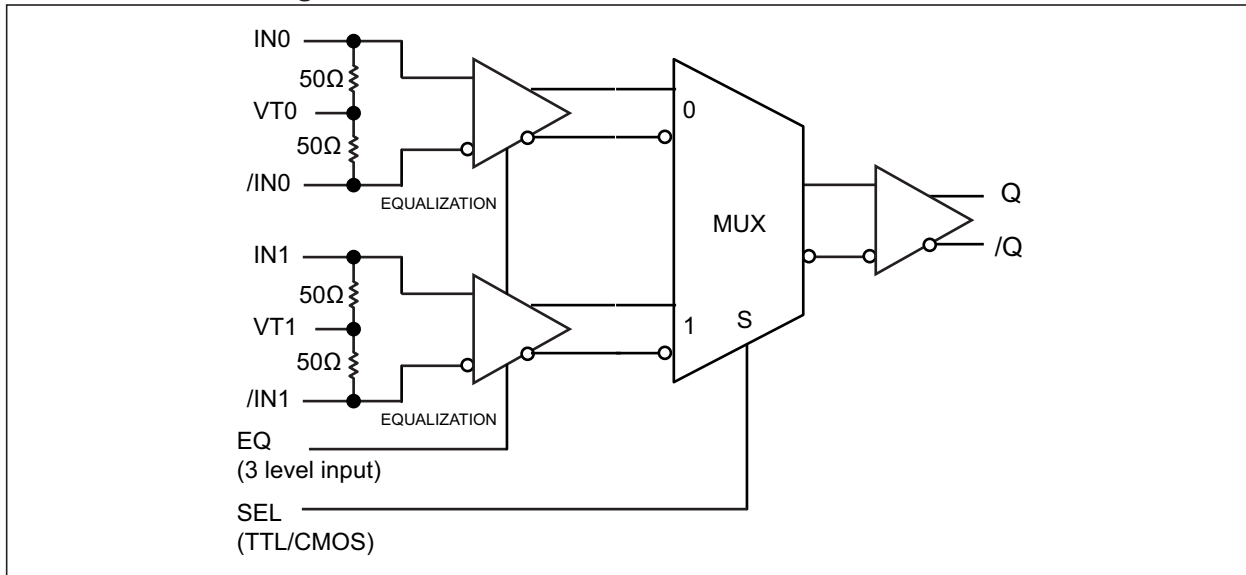
The SY56017R operates from a 2.5V ±5% core supply and a 1.2V, 1.8V, or 2.5V ±5% output supply and is guaranteed over the full industrial temperature range (-40°C to +85°C). The SY56017R is part of Microchip's high-speed, Precision Edge<sup>®</sup> product line.

### Package Type



# SY56017R

## Functional Block Diagram



## 1.0 ELECTRICAL CHARACTERISTICS

### Absolute Maximum Ratings †

Supply Voltage ( $V_{CC}$ )	.....	-0.5V to +3.0V
Supply Voltage ( $V_{CCO}$ )	.....	-0.5V to +3.0V
$V_{CC} - V_{CCO}$	.....	<1.8V
$V_{CCO} - V_{CC}$	.....	<0.5V
Input Voltage ( $V_{IN}$ )	.....	-0.5V to $V_{CC}$
CML Output Voltage ( $V_{OUT}$ )	.....	+0.6V to +3.0V
Current ( $I_T$ )		
Source or Sink on VT Pin	.....	±100 mA
Input Current		
Source or Sink Current on, IN, /IN	.....	±50 mA

### Operating Ratings ††

Supply Voltage ( $V_{CC}$ )	.....	+2.375V to +2.625V
Supply Voltage ( $V_{CCO}$ )	.....	+1.14V to +2.625V

† **Notice:** Permanent device damage may occur if absolute maximum ratings are exceeded. This is a stress rating only and functional operation is not implied at conditions other than those detailed in the operational sections of this data sheet. Exposure to absolute maximum ratings conditions for extended periods may affect device reliability.

†† **Notice:** The data sheet limits are not guaranteed if the device is operated beyond the operating ratings.

# SY56017R

## DC ELECTRICAL CHARACTERISTICS

**Electrical Characteristics:**  $T_A = -40^{\circ}\text{C}$  to  $+85^{\circ}\text{C}$ , unless otherwise stated. [Note 1](#)

Parameters	Sym.	Min.	Typ.	Max.	Units	Conditions
Power Supply Voltage Range	$V_{CC}$	2.375	2.5	2.625	V	$V_{CC}$
		1.14	1.2	1.26		$V_{CCO}$
		1.7	1.8	1.9		$V_{CCO}$
		2.375	2.5	2.625		$V_{CCO}$
Power Supply Current	$I_{CC}$	—	55	80	mA	Max. $V_{CC}$
Power Supply Current	$I_{CCO}$	—	16	21	mA	No load, $V_{CCO}$
Input Resistance (IN-to-VT, /IN-to-VT)	$R_{IN}$	45	50	55	$\Omega$	—
Differential Input Resistance (IN-to-/IN)	$R_{DIFF\_IN}$	90	100	110	$\Omega$	—
Input HIGH Voltage (IN, /IN)	$V_{IH}$	1.42	—	$V_{CC}$	V	IN, /IN
Input LOW Voltage (IN, /IN)	$V_{IL}$	1.22	—	$V_{IH} - 0.2$	V	IN, /IN, $1.22\text{V} = 1.7 - 0.475$
Input Voltage Swing (IN, /IN)	$V_{IN}$	0.2	—	1.0	V	See <a href="#">Figure 3-4</a> , ( <a href="#">Note 2</a> ) applied to input of transmission line.
Differential Input Voltage Swing ( IN - /IN )	$V_{DIFF\_IN}$	0.4	—	2.0	V	See <a href="#">Figure 3-5</a> , ( <a href="#">Note 2</a> ) applied to input of transmission line.
Voltage from Input to VT	$V_{T-IN}$	—	—	1.28	V	—

**Note 1:** The circuit is designed to meet the DC specifications shown in the above table after thermal equilibrium has been established.

**2:**  $V_{IN(MAX)}$  is specified when VT is floating.

## CML OUTPUTS DC ELECTRICAL CHARACTERISTICS

**Electrical Characteristics:**  $V_{CCO} = 1.14\text{V}$  to  $1.26\text{V}$   $R_L = 50\Omega$  to  $V_{CCO}$ ,  $V_{CCO} = 1.7\text{V}$  to  $1.9\text{V}$ ,  $2.375\text{V}$  to  $2.625\text{V}$ ,  $R_L = 50\Omega$  to  $V_{CCO}$  or  $100\Omega$  across the outputs,  $V_{CC} = 2.375\text{V}$  to  $2.625\text{V}$ ;  $T_A = -40^{\circ}\text{C}$  to  $+85^{\circ}\text{C}$ , unless otherwise stated. ([Note 1](#))

Parameter	Symbol	Min.	Typ.	Max.	Units	Condition
Output High Voltage	$V_{OH}$	$V_{CC} - 0.02$	$V_{CC} - 0.01$	$V_{CC}$	V	$R_L = 50\Omega$ to $V_{CCO}$
Output Voltage Swing	$V_{OUT}$	300	390	475	mV	See <a href="#">Figure 3-4</a>
Differential Output Voltage Swing	$V_{DIFF\_OUT}$	600	780	950	mV	See <a href="#">Figure 3-5</a>
Output Source Impedance	$R_{OUT}$	45	50	55	$\Omega$	—

**Note 1:** The circuit is designed to meet the DC specifications shown in the above table after thermal equilibrium has been established.

## LVTTTL/CMOS DC ELECTRICAL CHARACTERISTICS

**Electrical Characteristics:**  $V_{CC} = 2.375V$  to  $2.625V$ ;  $T_A = -40^{\circ}C$  to  $+85^{\circ}C$ , unless otherwise stated. (Note 1)

Parameter	Symbol	Min.	Typ.	Max.	Units	Condition
Input HIGH Voltage	$V_{IH}$	2.0	—	$V_{CC}$	V	—
Input LOW Voltage	$V_{IL}$	—	—	0.8	V	—
Input HIGH Current	$I_{IH}$	-125	—	30	$\mu A$	—
Input LOW Current	$I_{IL}$	-300	—	—	$\mu A$	—

**Note 1:** The circuit is designed to meet the DC specifications shown in the above table after thermal equilibrium has been established.

## THREE LEVEL EQ INPUT DC ELECTRICAL CHARACTERISTICS

**Electrical Characteristics:**  $V_{CC} = 2.375V$  to  $2.625V$ ;  $T_A = -40^{\circ}C$  to  $+85^{\circ}C$ , unless otherwise stated. (Note 1)

Parameter	Symbol	Min.	Typ.	Max.	Units	Condition
Input HIGH Voltage	$V_{IH}$	$V_{CC} - 0.3$	—	$V_{CC}$	V	—
Input LOW Voltage	$V_{IL}$	0	—	$V_{EE} + 0.3$	V	—
Input HIGH Current	$I_{IH}$	—	—	400	$\mu A$	$V_{IH} = V_{CC}$
Input LOW Current	$I_{IL}$	-480	—	—	$\mu A$	$V_{IL} = GND$

**Note 1:** The circuit is designed to meet the DC specifications shown in the above table after thermal equilibrium has been established.

## AC ELECTRICAL CHARACTERISTICS

**Electrical Characteristics:**  $V_{CCO} = 1.14V$  to  $1.26V$   $R_L = 50\Omega$  to  $V_{CCO}$ ,  $V_{CCO} = 1.7V$  to  $1.9V$ ,  $2.375V$  to  $2.625V$ ,  $R_L = 50\Omega$  to  $V_{CCO}$  or  $100\Omega$  across the outputs,  $V_{CC} = 2.375V$  to  $2.625V$ ;  $T_A = -40^{\circ}C$  to  $+85^{\circ}C$ , unless otherwise stated.

Parameter	Symbol	Min.	Typ.	Max.	Units	Condition
Maximum Frequency	$f_{MAX}$	6.4	—	—	Gbps	NRZ (Data)
		4.5	—	—	GHz	$V_{OUT} \geq 200$ mV (Clock)
Propagation Delay IN-to-Q	$t_{PD}$	100	180	280	ps	Note 1, Figure 3-1
Propagation Delay SEL-to-Q		90	210	350	ps	Figure 3-1
Input-to-Input Skew	$t_{SKEW}$	—	—	20	ps	Note 2
Part-to-Part Skew		—	—	100	ps	Note 3
Random Jitter	$t_{JITTER}$	—	—	1	ps <sub>RMS</sub>	Note 4
Crosstalk Induced Jitter		—	—	0.7	ps <sub>PP</sub>	Note 5
Output Rise/Fall Time (20% to 80%)	$t_r, t_f$	20	50	80	ps	At full output swing

**Note 1:** Propagation delay is measured with no attenuating transmission line connected to the input.

**2:** Input-to-Input skew is the difference in time between both inputs and the output for the same temperature, voltage and transition.

**3:** Part-to-part skew is defined for two parts with identical power supply voltages at the same temperature and no skew at the edges at the respective inputs.

**4:** Random jitter is measured with a K28.7 pattern, measured at  $\leq f_{MAX}$ .

**5:** Crosstalk induced jitter is defined as the added jitter that results from signals applied to the adjacent channel. It is measured at the output while applying a similar, differential clock frequencies that are asynchronous with respect to each other at the adjacent input.

# SY56017R

## TEMPERATURE SPECIFICATIONS

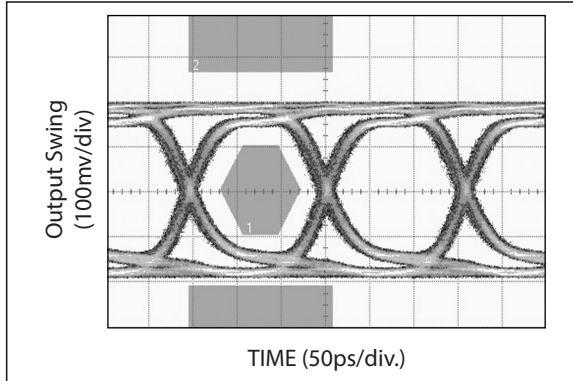
Parameters	Sym.	Min.	Typ.	Max.	Units	Conditions
<b>Temperature Ranges</b>						
Operating Ambient Temperature Range	$T_A$	-40	—	+85	°C	—
Maximum Operating Junction Temperature	$T_J$	—	—	+125	°C	—
Lead Temperature	—	—	—	+260	°C	Soldering, 20 sec.
Storage Temperature Range	$T_S$	-65	—	+150	°C	—
<b>Package Thermal Resistances (Note 1)</b>						
Thermal Resistance, 3x3 QFN-16Ld	$\theta_{JA}$	—	75	—	°C/W	Still-air
	$\psi_{JB}$	—	33	—	°C/W	Junction-to-board

**Note 1:** Package thermal resistance assumes exposed pad is soldered (or equivalent) to the device's most negative potential on the PCB.  $\psi_{JB}$  and  $\theta_{JA}$  values are determined for a 4-layer board in still-air number, unless otherwise stated.

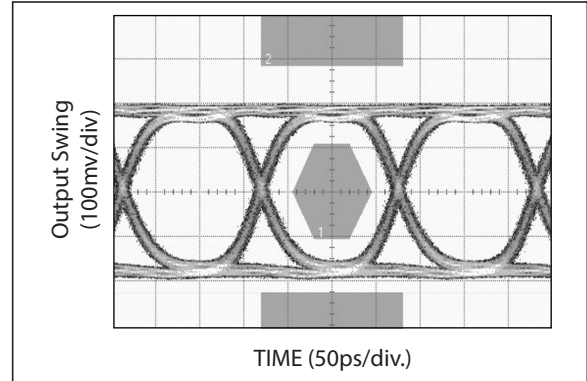
## 2.0 TYPICAL PERFORMANCE CURVES

**Note:** The graphs and tables provided following this note are a statistical summary based on a limited number of samples and are provided for informational purposes only. The performance characteristics listed herein are not tested or guaranteed. In some graphs or tables, the data presented may be outside the specified operating range (e.g., outside specified power supply range) and therefore outside the warranted range.

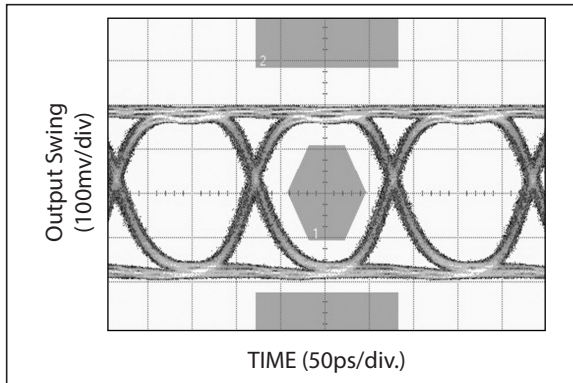
$V_{CC} = 2.5V$ ,  $V_{CCO} = 1.2V$ ,  $GND = 0V$ ,  $V_{IN} = 400\text{ mV}$ ,  $R_L = 50\Omega$  to  $1.2V$ , Data Pattern:  $2^{23}-1$ ,  $T_A = +25^\circ C$ , unless otherwise stated.



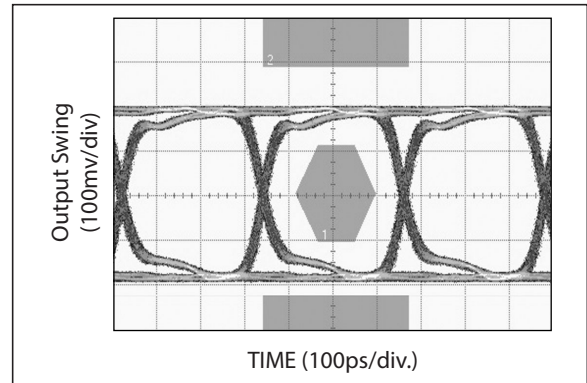
**FIGURE 2-1:** 6.4 Gbps, 24 inch FR4.



**FIGURE 2-3:** 6.4 Gbps, 9 inch FR4.



**FIGURE 2-2:** 6.4 Gbps, 18 inch FR4.



**FIGURE 2-4:** 3.2 Gbps, 24 inch FR4.

# SY56017R

## 3.0 PIN DESCRIPTIONS

The descriptions of the pins are listed in [Table 3-1](#).

**TABLE 3-1: PIN FUNCTION TABLE**

Pin Number	Pin Name	Description
16, 1 4, 5	IN0, /IN0 IN1, /IN1	Differential Inputs: Signals as small as 200 mV $V_{PK}$ (400 mV <sub>PP</sub> ) applied to the input of 9, 18, or 27 inches 6 mm FR4 stripline transmission line are then terminated with the differential input. Each input pin internally terminates with 50Ω to the VT pin.
2, 3	VT0, VT1	Input Termination Center-Tap: Each side of the differential input pair terminates to a VT pin. This pin provides a center-tap to a termination network for maximum interface flexibility. An internal high impedance resistor divider biases VT to allow input AC-coupling. For AC-coupling, bypass VT with 0.1 μF low ESR capacitor to VCC. See the <a href="#">Interface Applications</a> section.
6	EQ	Three level input for equalization control. High, float, low. EQ pin applies the same EQ setting to both inputs.
15	SEL	This single-ended TTL/CMOS-compatible input selects the inputs to the multiplexer. Note that this input is internally connected to a 25 kΩ pull-up resistor and will default to a logic HIGH state if left open.
7	VCC	Positive Power Supply: Bypass with a 0.1 μF//0.01 μF low-ESR capacitor as close to the VCC pin as possible. Supplies input and core circuitry.
8, 13	VCCO	Output Supply: Bypass with 0.1 μF//0.01 μF low-ESR capacitors as close to the VCCO pins as possible. Supplies the output buffers.
14	GND, Exposed Pad	Ground: Exposed pad must be connected to a ground plane that is the same potential as the ground pins.
11, 10	Q, /Q	CML Differential Output Pair: Differential buffered copy of the input signal. The output swing is typically 390 mV. See the <a href="#">Interface Applications</a> section for termination information.

**TABLE 3-2: TRUTH TABLE**

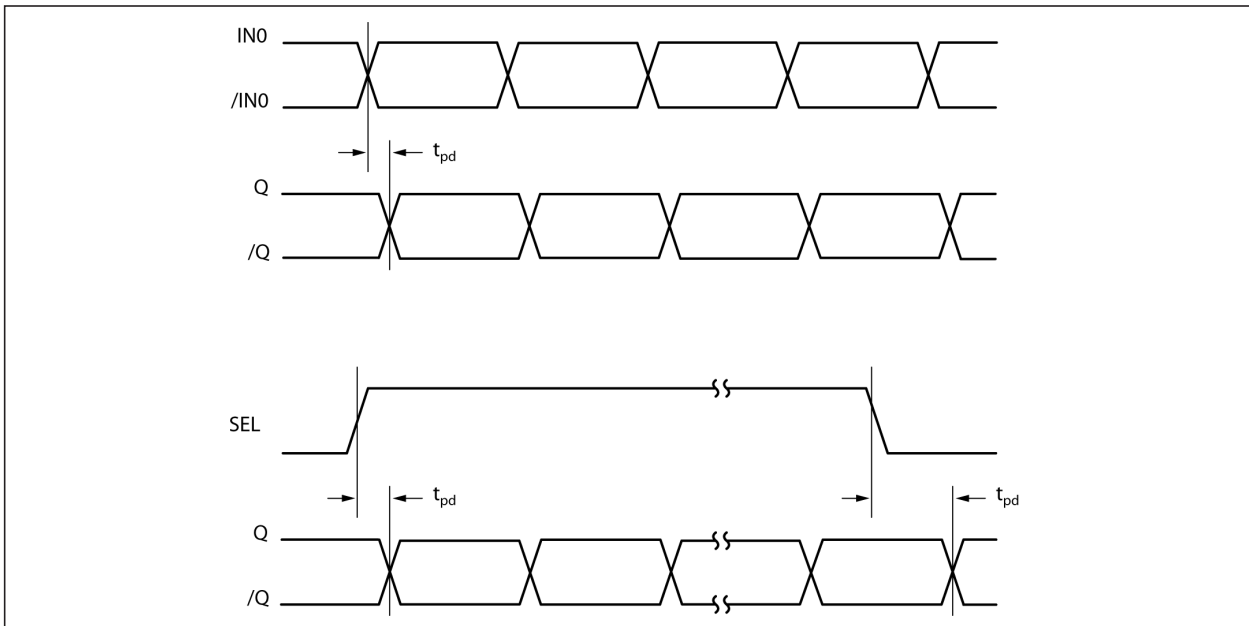
SEL	Output
0	IN0 Input Selected
1	IN1 Input Selected

**TABLE 3-3: TRUTH TABLE**

EQ	Equalization
LOW	27"
FLOAT	18"
HIGH	9"

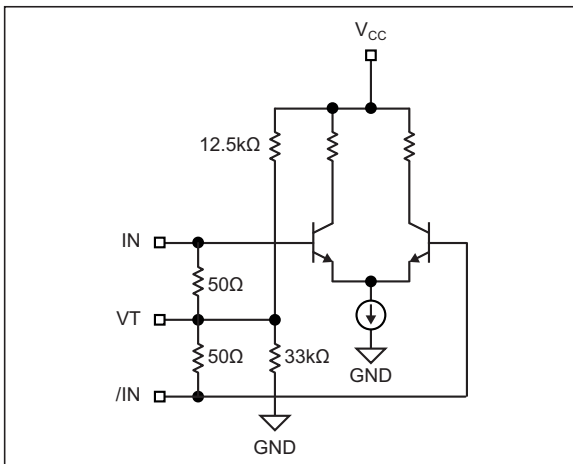


## Timing Diagrams

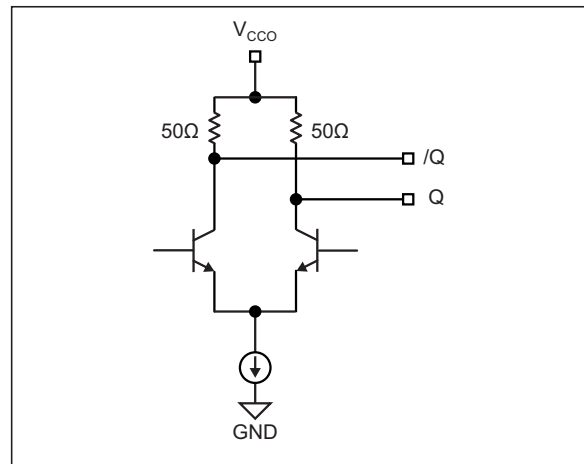


**FIGURE 3-1:** Propagation Delay.

## Input and Output Stage

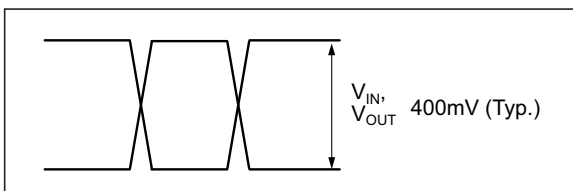


**FIGURE 3-2:** Simplified Differential Input Buffer.

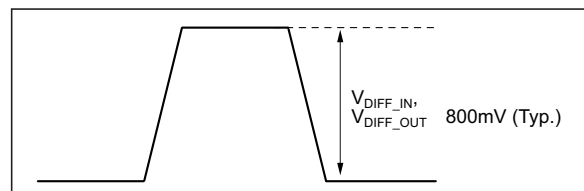


**FIGURE 3-3:** Simplified CML Output Buffer.

## Single-Ended and Differential Swings



**FIGURE 3-4:** Single-Ended Swing.



**FIGURE 3-5:** Differential Swing.

# SY56017R

## 4.0 INTERFACE APPLICATIONS

For Input Interface Applications see [Figure 4-1](#) through [Figure 4-5](#) and for CML Output Termination see [Figure 4-6](#) through [Figure 4-9](#).

### 4.1 Input Termination

1.8V CML driver: Terminate input with VT tied to 1.8V. Don't terminate 100Ω differentially.

2.5V CML driver: Terminate input with either VT tied to 2.5V or 100Ω differentially.

The input cannot be DC coupled from a 1.2V CML driver.

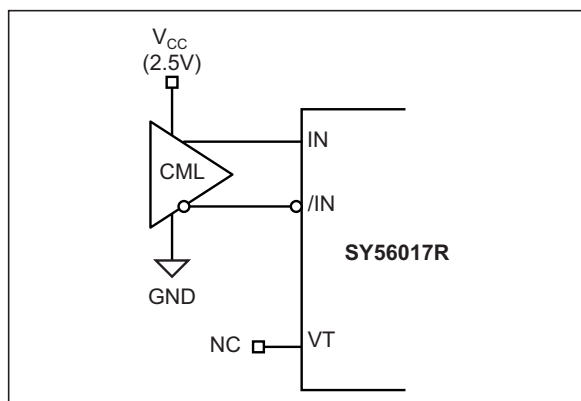
### 4.2 CML Output Termination with V<sub>CCO</sub> 1.2V

For V<sub>CCO</sub> of 1.2V, [Figure 4-6](#), terminate the output with 50Ω to 1.2V, not 100Ω differentially across the outputs. If AC-coupling is used, [Figure 4-9](#), terminate into 50Ω to 1.2V before the coupling capacitor and then connect to a high value resistor to a reference voltage. Any unused output pair needs to be terminated, do not leave floating.

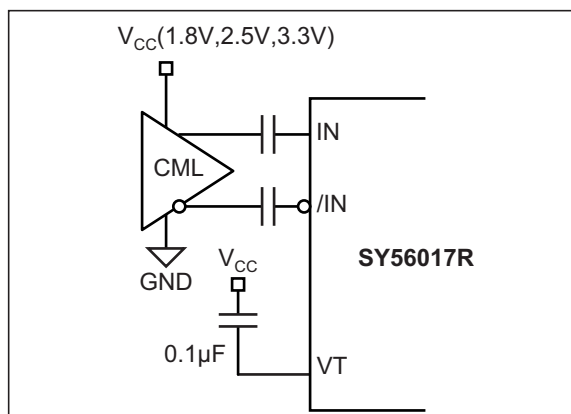
### 4.3 CML Output Termination with V<sub>CCO</sub> 1.8V

For V<sub>CCO</sub> of 1.8V or 2.5V, [Figure 4-6](#) and [Figure 4-7](#), terminate with either 50Ω to 1.8V or 2.5V or 100Ω differentially across the outputs. AC- or DC-coupling is fine.

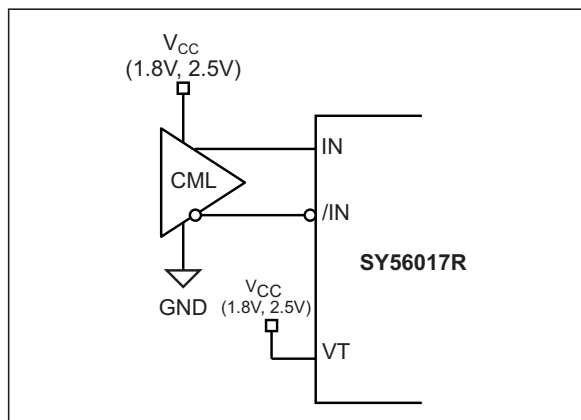
### Input Interface Applications



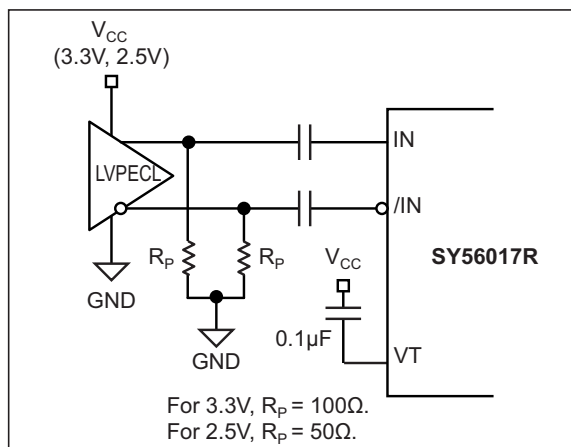
**FIGURE 4-1:** CML Interface (DC-Coupled, 2.5V, 100Ω Differential).



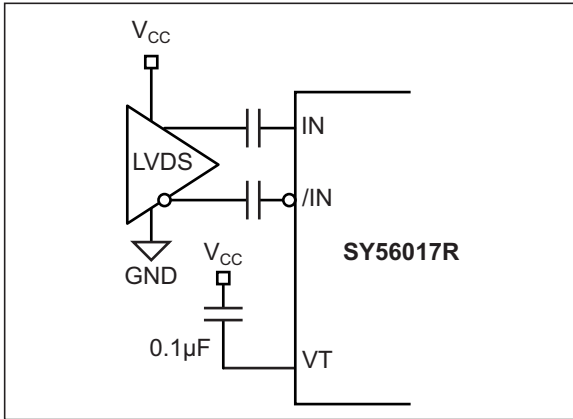
**FIGURE 4-3:** CML Interface (AC-Coupled).



**FIGURE 4-2:** CML Interface (DC-Coupled, 1.8V, 2.5V, 50Ω to V<sub>CC</sub>).

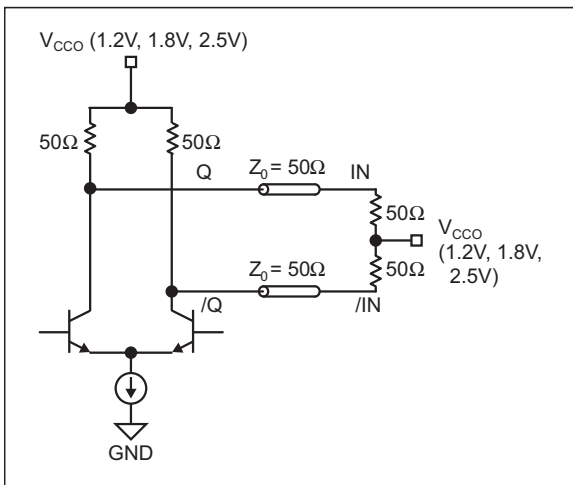


**FIGURE 4-4:** LVPECL Interface (AC-Coupled).

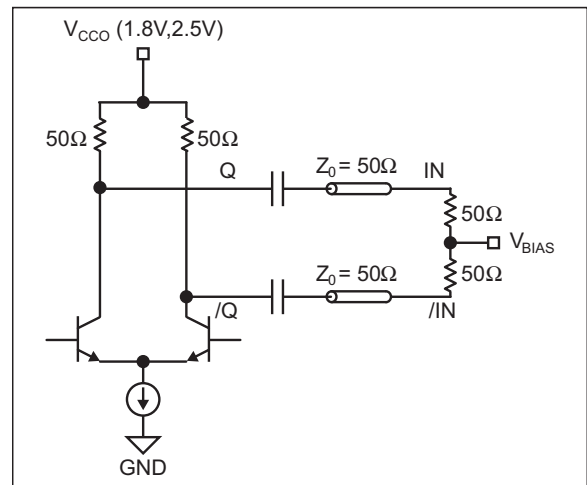


**FIGURE 4-5:** LVDS Interface (AC-Coupled).

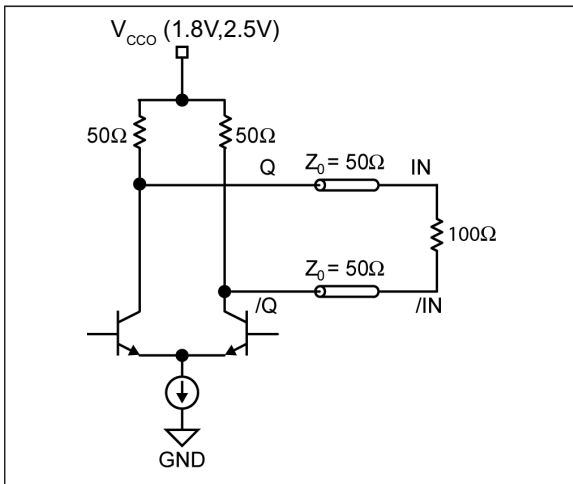
## CML Output Termination



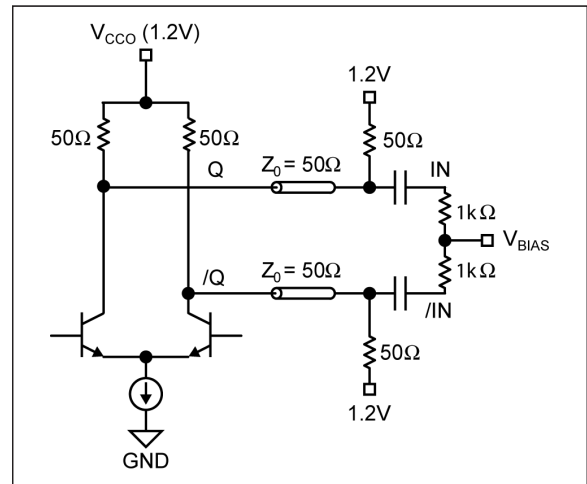
**FIGURE 4-6:** 1.2V, 1.8V, or 2.5V CML DC-Coupled Termination.



**FIGURE 4-8:** CML AC-Coupled Termination  $V_{CCO}$  1.8V or 2.5V Only.



**FIGURE 4-7:** 1.8V or 2.5V CML DC-Coupled Termination.



**FIGURE 4-9:** CML AC-Coupled Termination  $V_{CCO}$  1.2V Only.

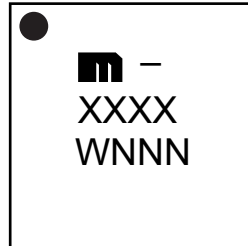
# SY56017R

---

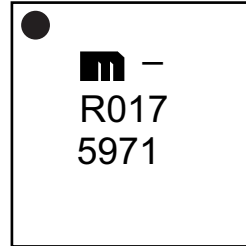
## 5.0 PACKAGING INFORMATION

### 5.1 Package Marking Information

16-Lead QFN\*

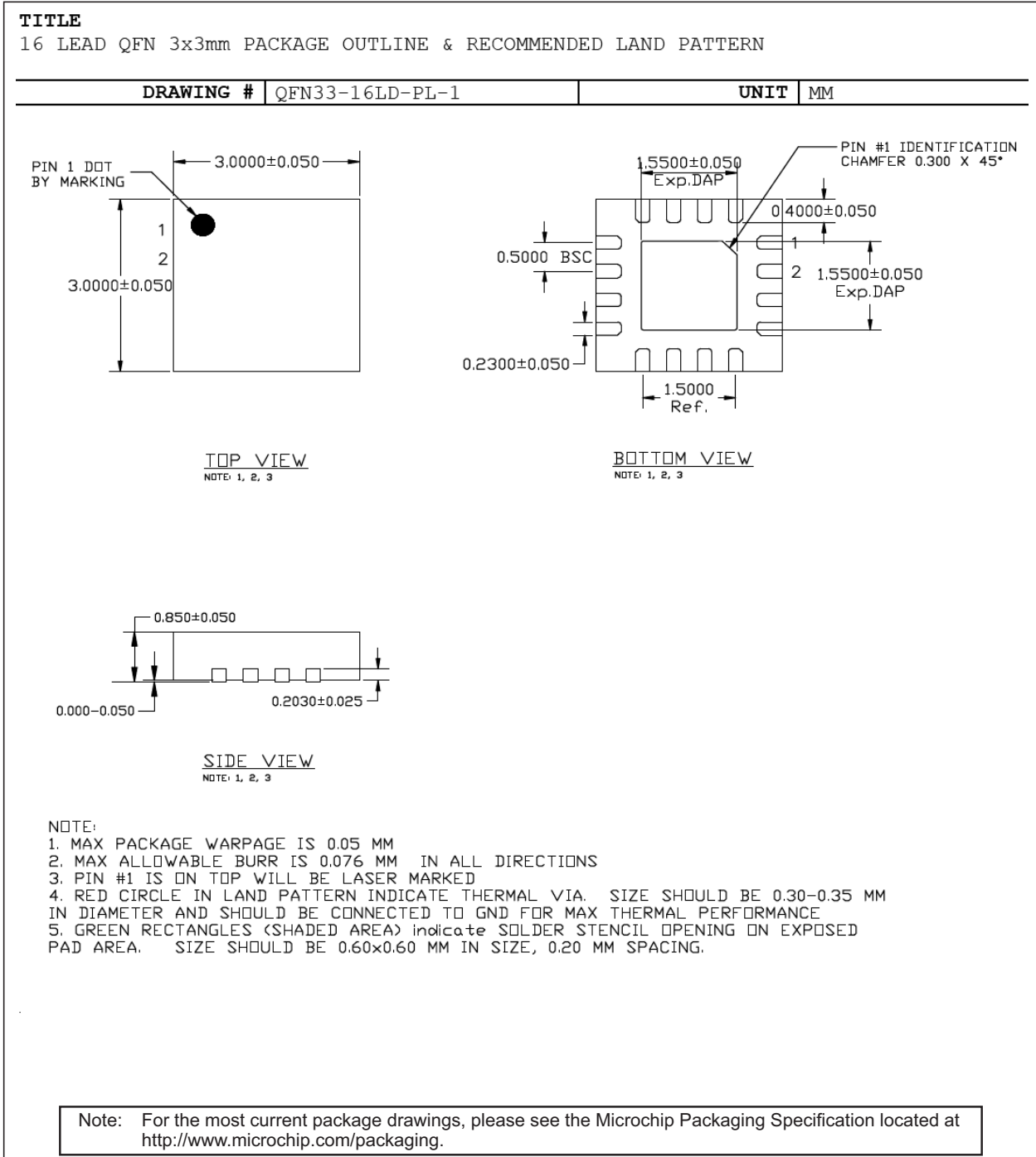


Example



<p><b>Legend:</b> XX...X Product code or customer-specific information Y Year code (last digit of calendar year) YY Year code (last 2 digits of calendar year) WW Week code (week of January 1 is week '01') NNN Alphanumeric traceability code Ⓔ3 Pb-free JEDEC<sup>®</sup> designator for Matte Tin (Sn) * This package is Pb-free. The Pb-free JEDEC designator (Ⓔ3) can be found on the outer packaging for this package.</p> <p>•, ▲, ▼ Pin one index is identified by a dot, delta up, or delta down (triangle mark).</p>
<p><b>Note:</b> In the event the full Microchip part number cannot be marked on one line, it will be carried over to the next line, thus limiting the number of available characters for customer-specific information. Package may or may not include the corporate logo.</p> <p>Underbar (¯) and/or Overbar (˘) symbol may not be to scale.</p>

## 16-Lead QFN 3 mm x 3 mm Package Outline and Recommended Land Pattern

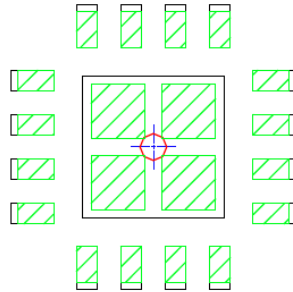


# SY56017R

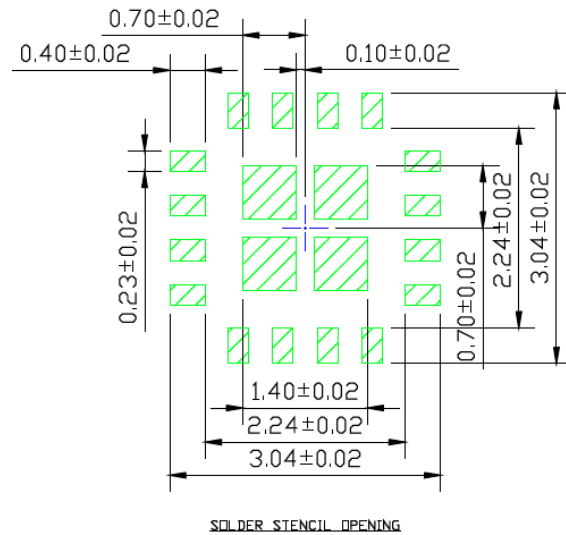
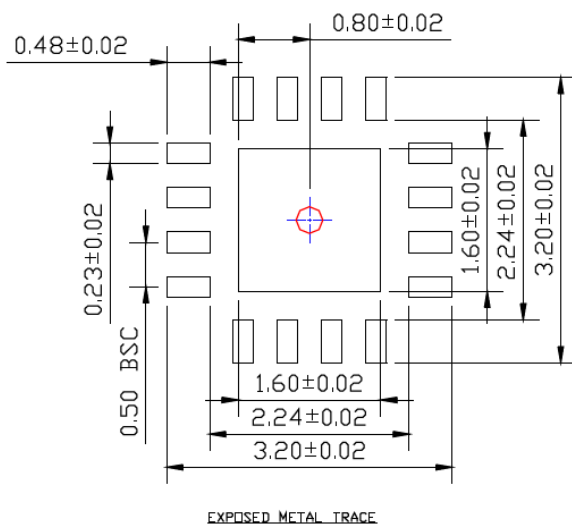
POD-Land Pattern drawing # QFN33-16LD-PL-1

## RECOMMENDED LAND PATTERN

NOTE: 4, 5



STACKED-UP



Note: For the most current package drawings, please see the Microchip Packaging Specification located at <http://www.microchip.com/packaging>.

## APPENDIX A: REVISION HISTORY

### Revision A (March 2020)

- Converted Micrel document SY56017R to Microchip data sheet template DS20006320A.
- Minor text changes throughout.

# SY56017R

---

NOTES:



## PRODUCT IDENTIFICATION SYSTEM

To order or obtain information, e.g., on pricing or delivery, contact your local Microchip representative or sales office.

<u>PART NO.</u>	<u>X</u>	<u>X</u>	<u>X</u>	<u>XX</u>
Device	Supply Voltage	Package	Temperature Range	Tape and Reel
<b>Device:</b>	SY56017:	Low Voltage 1.2V/1.8V/2.5V	CML 2:1 MUX	
			6.4 Gbps with Equalization	
<b>Supply Voltage:</b>	R	=	2.5V	
<b>Package:</b>	M	=	3 mm x 3 mm QFN-16	
<b>Temperature Range:</b>	G	=	-40°C to 85°C (NiPdAu Lead-Free)	
<b>Special Processing:</b>	<blank>	=	100/Tube	
	TR	=	1,000/Reel	

### Examples:

- a) SY56017RMG: SY56017, 2.5V Supply Voltage, 3 mm x 3 mm 16-Lead QFN, -40°C to +85°C Temperature Range, 100/Tube
- b) SY56017RMG-TR: SY56017, 2.5V Supply Voltage, 3 mm x 3 mm 16-Lead QFN, -40°C to +85°C Temperature Range, 1,000/Reel

**Note 1:** Tape and Reel identifier only appears in the catalog part number description. This identifier is used for ordering purposes and is not printed on the device package. Check with your Microchip Sales Office for package availability with the Tape and Reel option.

# SY56017R

---

NOTES:

---

**Note the following details of the code protection feature on Microchip devices:**

- Microchip products meet the specification contained in their particular Microchip Data Sheet.
- Microchip believes that its family of products is one of the most secure families of its kind on the market today, when used in the intended manner and under normal conditions.
- There are dishonest and possibly illegal methods used to breach the code protection feature. All of these methods, to our knowledge, require using the Microchip products in a manner outside the operating specifications contained in Microchip's Data Sheets. Most likely, the person doing so is engaged in theft of intellectual property.
- Microchip is willing to work with the customer who is concerned about the integrity of their code.
- Neither Microchip nor any other semiconductor manufacturer can guarantee the security of their code. Code protection does not mean that we are guaranteeing the product as “unbreakable.”

Code protection is constantly evolving. We at Microchip are committed to continuously improving the code protection features of our products. Attempts to break Microchip's code protection feature may be a violation of the Digital Millennium Copyright Act. If such acts allow unauthorized access to your software or other copyrighted work, you may have a right to sue for relief under that Act.

---

Information contained in this publication regarding device applications and the like is provided only for your convenience and may be superseded by updates. It is your responsibility to ensure that your application meets with your specifications. MICROCHIP MAKES NO REPRESENTATIONS OR WARRANTIES OF ANY KIND WHETHER EXPRESS OR IMPLIED, WRITTEN OR ORAL, STATUTORY OR OTHERWISE, RELATED TO THE INFORMATION, INCLUDING BUT NOT LIMITED TO ITS CONDITION, QUALITY, PERFORMANCE, MERCHANTABILITY OR FITNESS FOR PURPOSE. Microchip disclaims all liability arising from this information and its use. Use of Microchip devices in life support and/or safety applications is entirely at the buyer's risk, and the buyer agrees to defend, indemnify and hold harmless Microchip from any and all damages, claims, suits, or expenses resulting from such use. No licenses are conveyed, implicitly or otherwise, under any Microchip intellectual property rights unless otherwise stated.

### Trademarks

The Microchip name and logo, the Microchip logo, Adaptec, AnyRate, AVR, AVR logo, AVR Freaks, BesTime, BitCloud, chipKIT, chipKIT logo, CryptoMemory, CryptoRF, dsPIC, FlashFlex, flexPWR, HELDO, IGLOO, JukeBlox, KeeLoq, Klear, LANCheck, LinkMD, maXStylus, maXTouch, MediaLB, megaAVR, Microsemi, Microsemi logo, MOST, MOST logo, MPLAB, OptoLyzer, PackeTime, PIC, picoPower, PICSTART, PIC32 logo, PolarFire, Prochip Designer, QTouch, SAM-BA, SenGenuity, SpyNIC, SST, SST Logo, SuperFlash, Symmetricom, SyncServer, Tachyon, TempTrackr, TimeSource, tinyAVR, UNI/O, Vectron, and XMEGA are registered trademarks of Microchip Technology Incorporated in the U.S.A. and other countries.

APT, ClockWorks, The Embedded Control Solutions Company, EtherSynch, FlashTec, Hyper Speed Control, HyperLight Load, IntelliMOS, Libero, motorBench, mTouch, Powermite 3, Precision Edge, ProASIC, ProASIC Plus, ProASIC Plus logo, Quiet-Wire, SmartFusion, SyncWorld, Temux, TimeCesium, TimeHub, TimePictra, TimeProvider, Vite, WinPath, and ZL are registered trademarks of Microchip Technology Incorporated in the U.S.A.

Adjacent Key Suppression, AKS, Analog-for-the-Digital Age, Any Capacitor, AnyIn, AnyOut, BlueSky, BodyCom, CodeGuard, CryptoAuthentication, CryptoAutomotive, CryptoCompanion, CryptoController, dsPICDEM, dsPICDEM.net, Dynamic Average Matching, DAM, ECAN, EtherGREEN, In-Circuit Serial Programming, ICSP, INICnet, Inter-Chip Connectivity, JitterBlocker, KlearNet, KlearNet logo, memBrain, Mindi, MiWi, MPASM, MPF, MPLAB Certified logo, MPLIB, MPLINK, MultiTRAK, NetDetach, Omniscient Code Generation, PICDEM, PICDEM.net, PICKit, PICtail, PowerSmart, PureSilicon, QMatrix, REAL ICE, Ripple Blocker, SAM-ICE, Serial Quad I/O, SMART-I.S., SQI, SuperSwitcher, SuperSwitcher II, Total Endurance, TSHARC, USBCheck, VariSense, ViewSpan, WiperLock, Wireless DNA, and ZENA are trademarks of Microchip Technology Incorporated in the U.S.A. and other countries.

SQTP is a service mark of Microchip Technology Incorporated in the U.S.A.

The Adaptec logo, Frequency on Demand, Silicon Storage Technology, and Symmcom are registered trademarks of Microchip Technology Inc. in other countries.

GestIC is a registered trademark of Microchip Technology Germany II GmbH & Co. KG, a subsidiary of Microchip Technology Inc., in other countries.

All other trademarks mentioned herein are property of their respective companies.

© 2020, Microchip Technology Incorporated, All Rights Reserved.

ISBN: 978-1-5224-5816-6

For information regarding Microchip's Quality Management Systems, please visit [www.microchip.com/quality](http://www.microchip.com/quality).



# MICROCHIP

## Worldwide Sales and Service

### AMERICAS

**Corporate Office**  
2355 West Chandler Blvd.  
Chandler, AZ 85224-6199  
Tel: 480-792-7200  
Fax: 480-792-7277  
Technical Support:  
<http://www.microchip.com/support>  
Web Address:  
[www.microchip.com](http://www.microchip.com)

**Atlanta**  
Duluth, GA  
Tel: 678-957-9614  
Fax: 678-957-1455

**Austin, TX**  
Tel: 512-257-3370

**Boston**  
Westborough, MA  
Tel: 774-760-0087  
Fax: 774-760-0088

**Chicago**  
Itasca, IL  
Tel: 630-285-0071  
Fax: 630-285-0075

**Dallas**  
Addison, TX  
Tel: 972-818-7423  
Fax: 972-818-2924

**Detroit**  
Novi, MI  
Tel: 248-848-4000

**Houston, TX**  
Tel: 281-894-5983

**Indianapolis**  
Noblesville, IN  
Tel: 317-773-8323  
Fax: 317-773-5453  
Tel: 317-536-2380

**Los Angeles**  
Mission Viejo, CA  
Tel: 949-462-9523  
Fax: 949-462-9608  
Tel: 951-273-7800

**Raleigh, NC**  
Tel: 919-844-7510

**New York, NY**  
Tel: 631-435-6000

**San Jose, CA**  
Tel: 408-735-9110  
Tel: 408-436-4270

**Canada - Toronto**  
Tel: 905-695-1980  
Fax: 905-695-2078

### ASIA/PACIFIC

**Australia - Sydney**  
Tel: 61-2-9868-6733

**China - Beijing**  
Tel: 86-10-8569-7000

**China - Chengdu**  
Tel: 86-28-8665-5511

**China - Chongqing**  
Tel: 86-23-8980-9588

**China - Dongguan**  
Tel: 86-769-8702-9880

**China - Guangzhou**  
Tel: 86-20-8755-8029

**China - Hangzhou**  
Tel: 86-571-8792-8115

**China - Hong Kong SAR**  
Tel: 852-2943-5100

**China - Nanjing**  
Tel: 86-25-8473-2460

**China - Qingdao**  
Tel: 86-532-8502-7355

**China - Shanghai**  
Tel: 86-21-3326-8000

**China - Shenyang**  
Tel: 86-24-2334-2829

**China - Shenzhen**  
Tel: 86-755-8864-2200

**China - Suzhou**  
Tel: 86-186-6233-1526

**China - Wuhan**  
Tel: 86-27-5980-5300

**China - Xian**  
Tel: 86-29-8833-7252

**China - Xiamen**  
Tel: 86-592-2388138

**China - Zhuhai**  
Tel: 86-756-3210040

### ASIA/PACIFIC

**India - Bangalore**  
Tel: 91-80-3090-4444

**India - New Delhi**  
Tel: 91-11-4160-8631

**India - Pune**  
Tel: 91-20-4121-0141

**Japan - Osaka**  
Tel: 81-6-6152-7160

**Japan - Tokyo**  
Tel: 81-3-6880-3770

**Korea - Daegu**  
Tel: 82-53-744-4301

**Korea - Seoul**  
Tel: 82-2-554-7200

**Malaysia - Kuala Lumpur**  
Tel: 60-3-7651-7906

**Malaysia - Penang**  
Tel: 60-4-227-8870

**Philippines - Manila**  
Tel: 63-2-634-9065

**Singapore**  
Tel: 65-6334-8870

**Taiwan - Hsin Chu**  
Tel: 886-3-577-8366

**Taiwan - Kaohsiung**  
Tel: 886-7-213-7830

**Taiwan - Taipei**  
Tel: 886-2-2508-8600

**Thailand - Bangkok**  
Tel: 66-2-694-1351

**Vietnam - Ho Chi Minh**  
Tel: 84-28-5448-2100

### EUROPE

**Austria - Wels**  
Tel: 43-7242-2244-39  
Fax: 43-7242-2244-393

**Denmark - Copenhagen**  
Tel: 45-4485-5910  
Fax: 45-4485-2829

**Finland - Espoo**  
Tel: 358-9-4520-820

**France - Paris**  
Tel: 33-1-69-53-63-20  
Fax: 33-1-69-30-90-79

**Germany - Garching**  
Tel: 49-8931-9700

**Germany - Haan**  
Tel: 49-2129-3766400

**Germany - Heilbronn**  
Tel: 49-7131-72400

**Germany - Karlsruhe**  
Tel: 49-721-625370

**Germany - Munich**  
Tel: 49-89-627-144-0  
Fax: 49-89-627-144-44

**Germany - Rosenheim**  
Tel: 49-8031-354-560

**Israel - Ra'anana**  
Tel: 972-9-744-7705

**Italy - Milan**  
Tel: 39-0331-742611  
Fax: 39-0331-466781

**Italy - Padova**  
Tel: 39-049-7625286

**Netherlands - Drunen**  
Tel: 31-416-690399  
Fax: 31-416-690340

**Norway - Trondheim**  
Tel: 47-7288-4388

**Poland - Warsaw**  
Tel: 48-22-3325737

**Romania - Bucharest**  
Tel: 40-21-407-87-50

**Spain - Madrid**  
Tel: 34-91-708-08-90  
Fax: 34-91-708-08-91

**Sweden - Gothenberg**  
Tel: 46-31-704-60-40

**Sweden - Stockholm**  
Tel: 46-8-5090-4654

**UK - Wokingham**  
Tel: 44-118-921-5800  
Fax: 44-118-921-5820

## X-ON Electronics

Largest Supplier of Electrical and Electronic Components

*Click to view similar products for* [Encoders, Decoders, Multiplexers & Demultiplexers](#) *category:*

*Click to view products by* [Micrel](#) *manufacturer:*

Other Similar products are found below :

[MC74HC163ADTG](#) [74HC253N](#) [NLV74VHC1G01DFT1G](#) [TC74AC138P\(F\)](#) [NLV14051BDR2G](#) [NLV74HC238ADTR2G](#) [COMX-CAR-210](#)  
[5962-8607001EA](#) [NTE74LS247](#) [5962-8756601EA](#) [8CA3052APGGI8](#) [TC74VHC138F\(EL,K,F\)](#) [PI3B3251LE](#) [PI3B3251QE](#) [NTE4028B](#)  
[NTE4514B](#) [NTE4515B](#) [NTE4543B](#) [NTE4547B](#) [NTE74LS249](#) [NLV74HC4851AMNTWG](#) [MC74LVX257DG](#) [M74HCT4851ADWR2G](#)  
[AP4373AW5-7-01](#) [MC74LVX257DTR2G](#) [74VHC4066AFT\(BJ\)](#) [74VHCT138AFT\(BJ\)](#) [74HC158D.652](#) [74HC4052D\(BJ\)](#) [74VHC138MTC](#)  
[COMX-CAR-P1](#) [JM38510/65852BEA](#) [JM38510/30702BEA](#) [74VHC138MTCX](#) [74HC138D\(BJ\)](#) [NL7SZ19DFT2G](#) [74AHCT138T16-13](#)  
[74LCX138FT\(AJ\)](#) [74LCX157FT\(AJ\)](#) [NL7SZ18MUR2G](#) [PCA9540BD,118](#) [QS3VH16233PAG8](#) [SNJ54HC251J](#) [SN54LS139AJ](#)  
[SN74CBTLV3257PWG4](#) [SN74ALS156DR](#) [SN74AHCT139PWR](#) [74HC251D.652](#) [74HC257D.652](#) [74HCT153D.652](#)