

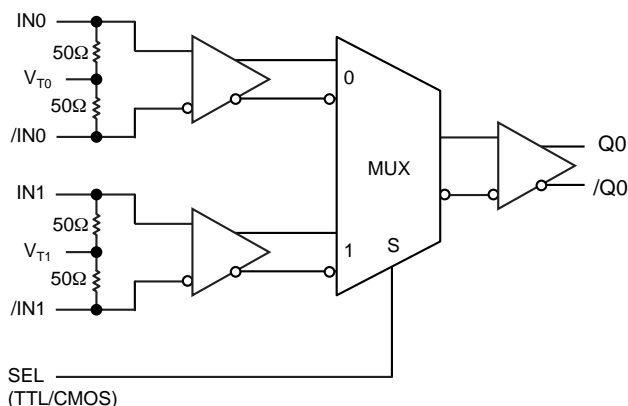
## FEATURES

- **Guaranteed AC performance over temperature and voltage:**
  - DC to 10.7Gbps data throughput
  - DC to > 7GHz  $f_{MAX}$  (clock)
  - < 240ps propagation delay
  - < 70ps  $t_r / t_f$  times
- **Ultra-low crosstalk-induced jitter: 0.7ps<sub>RMS</sub>**
- **Ultra-low jitter design:**
  - < 1ps<sub>RMS</sub> random jitter
  - < 10ps<sub>PP</sub> deterministic jitter
  - < 10ps<sub>PP</sub> total jitter (clock)
- **Unique input termination and  $V_T$  pin accepts DC-coupled and AC-coupled inputs (CML, PECL, LVDS)**
- **400mV (100k) LVPECL output swing**
- **Power supply 2.5V  $\pm$ 5% or 3.3V  $\pm$ 10%**
- **-40°C to +85°C temperature range**
- **Available in 16-pin (3mm x 3mm) MLF® package**

## APPLICATIONS

- **Redundant clock distribution**
- **OC-3 to OC-192 SONET/SDH clock/data distribution**
- **Loopback**
- **Fibre Channel distribution**

## FUNCTIONAL BLOCK DIAGRAM



Precision Edge is a registered trademark of Micrel, Inc.  
AnyGate is a registered trademark of Micrel, Inc.  
MicroLeadFrame and MLF are registered trademarks of Amkor Technology, Inc.



Precision Edge®

## DESCRIPTION

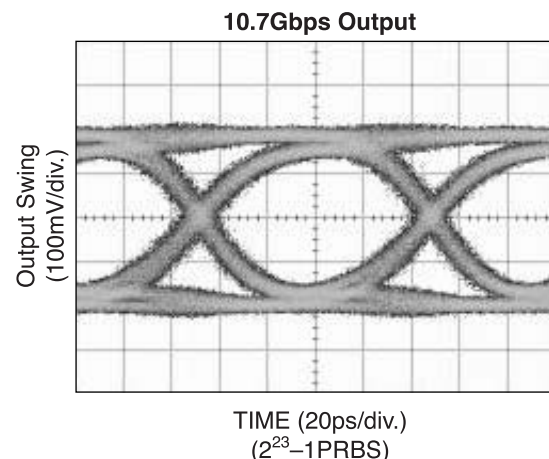
The SY58019U is a 2.5V/3.3V precision, high-speed, 2:1 differential MUX capable of handling clocks up to 7GHz and data up to 10.7Gbps.

The differential input includes Micrel's unique, 3-pin input termination architecture that allows customers to interface to any differential signal (AC- or DC-coupled) as small as 100mV without any level shifting or termination resistor networks in the signal path. The outputs are 400mV, 100k compatible, LVPECL, with extremely fast rise/fall times guaranteed to be less than 70ps.

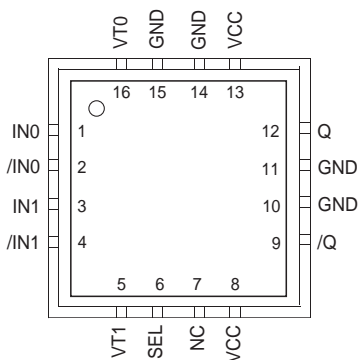
The SY58019U operates from a 2.5V  $\pm$ 5% supply or a 3.3V  $\pm$ 10% supply and is guaranteed over the full industrial temperature range of -40°C to +85°C. For applications that require CML outputs, consider the SY58017U or for 800mV LVPECL outputs the SY58018U. The SY58019U is part of Micrel's high-speed, Precision Edge® product line.

All support documentation can be found on Micrel's web site at [www.micrel.com](http://www.micrel.com).

## TYPICAL PERFORMANCE



**PACKAGE/ORDERING INFORMATION**



**16-Pin MLF®**

**Ordering Information<sup>(1)</sup>**

Part Number	Package Type	Operating Range	Package Marking	Lead Finish
SY58019UMI	MLF-16	Industrial	019U	Sn-Pb
SY58019UMITR <sup>(2)</sup>	MLF-16	Industrial	019U	Sn-Pb
SY58019UMG <sup>(3)</sup>	MLF-16	Industrial	019U with Pb-Free bar-line indicator	Pb-Free NiPdAu
SY58019UMGTR <sup>(2, 3)</sup>	MLF-16	Industrial	019U with Pb-Free bar-line indicator	Pb-Free NiPdAu

**Notes:**

1. Contact factory for die availability. Dice are guaranteed at  $T_A = 25^\circ\text{C}$ , DC electricals only.
2. Tape and Reel.
3. Pb-Free package recommended for new designs.

**PIN DESCRIPTION**

Pin Number	Pin Name	Pin Function
1, 2 3, 4	IN0, /INO IN1, /IN1	Differential Input: These input pairs are the differential signal inputs to the device. They accept differential AC- or DC-coupled signals as small as 100mV. Each pin of a pair internally terminates to a $V_T$ pin through $50\Omega$ . Note that these inputs will default to an indeterminate state if left open. Please refer to the <i>“Input Interface Applications”</i> section for more details.
16, 5	VT0, VT1	Input Termination Center-Tap: Each side of the differential input pair terminates to a $V_T$ pin. The $V_{T0}$ and $V_{T1}$ pins provide a center-tap to a termination network for maximum interface flexibility. See <i>“Input Interface Applications”</i> section for more details.
6	SEL	This single-ended TTL/CMOS compatible input selects the inputs to the multiplexer. Note that this input is internally connected to a $25k\Omega$ pull-up resistor and will default to a logic HIGH state if left open.
7	NC	No connect.
8, 13	VCC	Positive Power Supply: Bypass with $0.1\mu\text{F} \parallel 0.01\mu\text{F}$ low ESR capacitors. $0.01\mu\text{F}$ capacitor should be as close to $V_{CC}$ pin as possible.
12, 9	Q, /Q	Differential Outputs: This 100k compatible LVPECL output pair is the output of the device. Terminate through $50\Omega$ to $V_{CC} - 2V$ . See <i>“Output Interface Applications”</i> section. It is a logic function of the IN0, IN1, and SEL inputs. Please refer to the <i>“Truth Table”</i> for details.
10, 11, 14, 15	GND, Exposed Pad	Ground. Ground pins and exposed pad must be connected to the same ground plane.

**TRUTH TABLE**

SEL	Output
0	CH0 Input Selected
1	CH1 Input Selected

### Absolute Maximum Ratings(1)

Power Supply Voltage ( $V_{CC}$ ) ..... -0.5V to +4.0V  
 Input Voltage ( $V_{IN}$ ) ..... -0.5V to  $V_{CC}$   
 LVPECL Output Current ( $I_{OUT}$ )  
     Continuous ..... 50mA  
     Surge ..... 100mA  
 Termination Current(3)  
     Source or Sink Current on  $V_T$  pin .....  $\pm 100$ mA  
 Input Current  
     Source or Sink Current on IN, /IN pin .....  $\pm 50$ mA  
 Lead Temperature (soldering, 20 sec.) ..... 260°C  
 Storage Temperature Range ( $T_S$ ) ..... -65°C to +150°C

### Operating Ratings(2)

Power Supply Voltage ( $V_{CC}$ ) ..... +2.375V to +2.625V  
     ..... +3.0V to +3.6V  
 Ambient Temperature Range ( $T_A$ ) ..... -40°C to +85°C  
 Package Thermal Resistance(4)  
     MLF® ( $\theta_{JA}$ )  
         Still-Air ..... 60°C/W  
     MLF® ( $\psi_{JB}$ )  
         Junction-to-Board ..... 38°C/W

## DC ELECTRICAL CHARACTERISTICS(5)

$T_A = -40^\circ\text{C}$  to  $+85^\circ\text{C}$ , unless otherwise stated.

Symbol	Parameter	Condition	Min	Typ	Max	Units
$V_{CC}$	Power Supply Voltage	$V_{CC} = 2.5\text{V}$ $V_{CC} = 3.3\text{V}$	2.375 3.0	2.5 3.3	2.625 3.6	V
$I_{CC}$	Power Supply Current	No load, max. $V_{CC}$		55	70	mA
$R_{DIFF\_IN}$	Differential Input Resistance (IN0-to-/IN0, IN1-to-/IN1)		80	100	120	$\Omega$
$R_{IN}$	Input Resistance (IN0-to- $V_{T0}$ , /IN0-to- $V_{T0}$ , IN1-to- $V_{T1}$ , /IN1-to- $V_{T1}$ )		40	50	60	$\Omega$
$V_{IH}$	Input HIGH Voltage (IN0, /IN0, IN1, /IN1)	<b>Note 6</b>	$V_{CC} - 1.6$		$V_{CC}$	V
$V_{IL}$	Input LOW Voltage (IN0, /IN0, IN1, /IN1)		0		$V_{IH} - 0.1$	V
$V_{IN}$	Input Voltage Swing (IN0, /IN0, IN1, /IN1)	See Figure 1a	0.1		1.7	V
$V_{DIFF\_IN}$	Differential Input Voltage Swing  IN0, /IN0 ,  IN1, /IN1	See Figure 1b	0.2			V
$V_{TIN}$	IN to $V_T$ (IN0, /IN0, IN1, /IN1)				1.28	V

**Notes:**

1. Permanent device damage may occur if "Absolute Maximum Ratings" are exceeded. This is a stress rating only and functional operation is not implied at conditions other than those detailed in the operational sections of this data sheet. Exposure to "Absolute Maximum Ratings" conditions for extended periods may affect device reliability.
2. The data sheet limits are not guaranteed if the device is operated beyond the operating ratings.
3. Due to the limited drive capability, use for input of the same package only.
4. Package thermal resistance assumes exposed pad is soldered (or equivalent) to the device's most negative potential (GND) on the PCB.  $\psi_{JB}$  uses 4-layer  $\theta_{JA}$  in still-air measurement, unless otherwise stated.
5. The circuit is designed to meet the DC specifications shown in the above table after thermal equilibrium has been established.
6.  $V_{IH}$  (min) not lower than 1.2V.

**LVPECL OUTPUT DC ELECTRICAL CHARACTERISTICS<sup>(7)</sup>**

$V_{CC} = 2.5V \pm 5\%$  or  $3.3V \pm 10\%$ ;  $T_A = -40^\circ C$  to  $+85^\circ C$ ;  $R_L = 50\Omega$  to  $V_{CC} - 2V$ , unless otherwise stated.

Symbol	Parameter	Condition	Min	Typ	Max	Units
$V_{OH}$	Output HIGH Voltage Q, /Q		$V_{CC} - 1.145$		$V_{CC} - 0.895$	V
$V_{OL}$	Output LOW Voltage Q, /Q		$V_{CC} - 1.545$		$V_{CC} - 1.295$	V
$V_{OUT}$	Output Differential Swing Q, /Q	See Figure 1a	150	400		mV
$V_{DIFF\_OUT}$	Differential Output Voltage Swing Q, /Q	See Figure 1b	300	800		mV

**LVTTTL/CMOS DC ELECTRICAL CHARACTERISTICS<sup>(7)</sup>**

$V_{CC} = 2.5V \pm 5\%$  or  $3.3V \pm 10\%$ ;  $T_A = -40^\circ C$  to  $+85^\circ C$

Symbol	Parameter	Condition	Min	Typ	Max	Units
$V_{IH}$	Input HIGH Voltage		2.0			V
$V_{IL}$	Input LOW Voltage				0.8	V
$I_{IH}$	Input HIGH Current				40	$\mu A$
$I_{IL}$	Input LOW Current		-300			$\mu A$

**Note:**

7. The circuit is designed to meet the DC specifications shown in the above table after thermal equilibrium has been established.

**AC ELECTRICAL CHARACTERISTICS<sup>(8)</sup>**

V<sub>CC</sub> = 2.5V ±5% or 3.3V ±10%; T<sub>A</sub> = -40°C to +85°C, R<sub>L</sub> = 50Ω to V<sub>CC</sub>-2V, unless otherwise stated.

Symbol	Parameter	Condition	Min	Typ	Max	Units
f <sub>MAX</sub>	Maximum Operating Frequency	NRZ Data	10.7			Gbps
		V <sub>OUT</sub> ≥ 200mV Clock		7		GHz
t <sub>pd</sub>	Differential Propagation Delay	IN-to-Q	90	160	240	ps
		SEL-to-Q	50	160	350	ps
t <sub>pd</sub> Tempco	Differential Propagation Delay Temperature Coefficient			75		fs/°C
t <sub>SKEW</sub>	Input-to-Input Skew	<b>Note 9</b>		3	15	ps
	Part-to-Part Skew	<b>Note 10</b>			100	ps
t <sub>JITTER</sub>	Data Random Jitter	<b>Note 11</b>			1	ps <sub>RMS</sub>
	Deterministic Jitter	<b>Note 12</b>			10	ps <sub>PP</sub>
	Clock Cycle-to-Cycle Jitter	<b>Note 13</b>			1	ps <sub>RMS</sub>
	Total Jitter	<b>Note 14</b>			10	ps <sub>PP</sub>
	Crosstalk-Induced Jitter	<b>Note 15</b>			0.7	ps <sub>RMS</sub>
t <sub>r</sub> , t <sub>f</sub>	Output Rise/Fall Time	20% to 80%, at full swing	20	40	70	ps

**Notes:**

8. High frequency AC parameters are guaranteed by design and characterization.
9. Input-to-input skew is the difference in time from an input-to-output in comparison to any other input-to-output. In addition, the input-to-input skew does not include the output skew.
10. Part-to-part skew is defined for two parts with identical power supply voltages at the same temperature and with no skew of the edges at the respective inputs.
11. RJ is measured with a K28.7 comma detect character pattern, measured at 2.5Gbps/3.2Gbps.
12. DJ is measured at 2.5Gbps/3.2Gbps, with both K28.5 and 2<sup>23</sup>-1 PRBS pattern.
13. Cycle-to-cycle jitter definition: the variation of periods between adjacent cycles, T<sub>n</sub>-T<sub>n-1</sub> where T is the time between rising edges of the output signal.
14. Total jitter definition: with an ideal clock input of frequency ≤ f<sub>MAX</sub>, no more than one output edge in 10<sup>12</sup> output edges will deviate by more than the specified peak-to-peak jitter value.
15. Crosstalk is measured at the output while applying two similar frequencies that are asynchronous with respect to each other at the inputs.

**SINGLE-ENDED AND DIFFERENTIAL SWINGS**

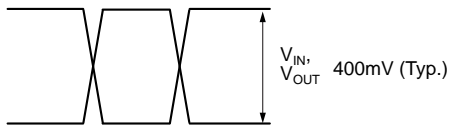


Figure 1a. Single-Ended Voltage Swing

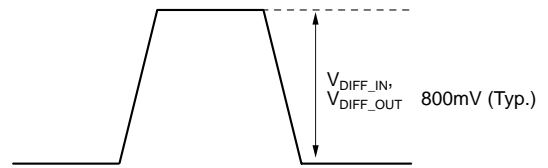
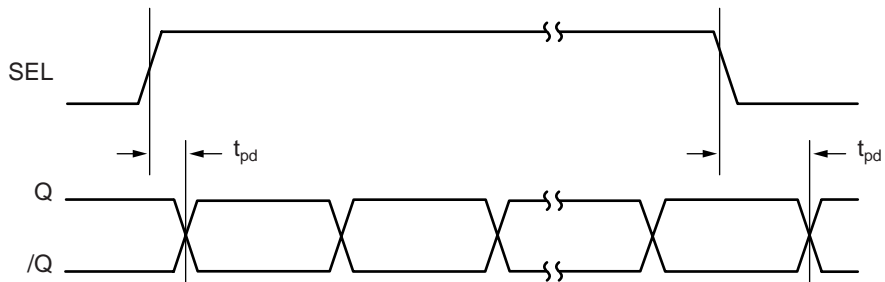
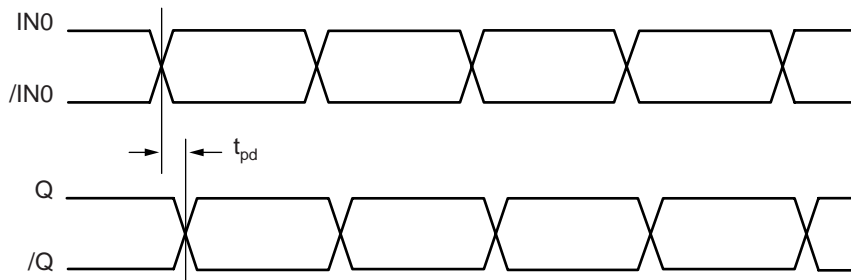


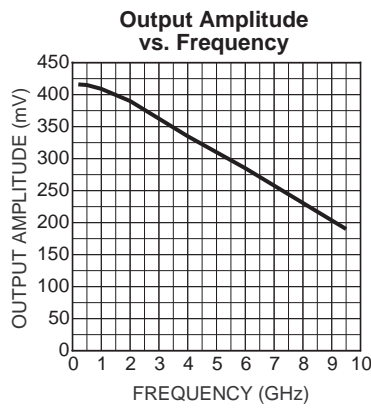
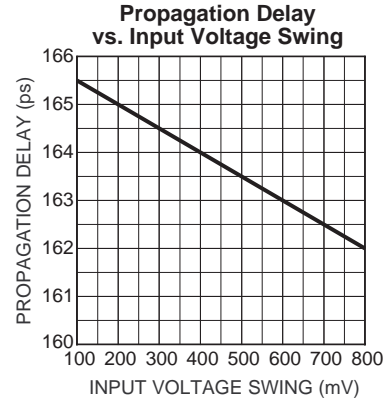
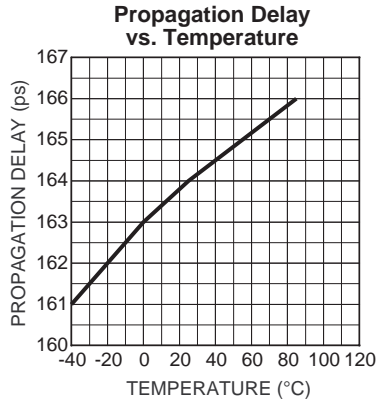
Figure 1b. Differential Voltage Swing

**TIMING DIAGRAMS**



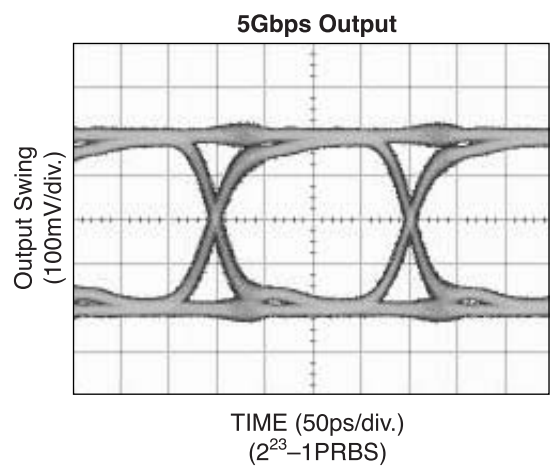
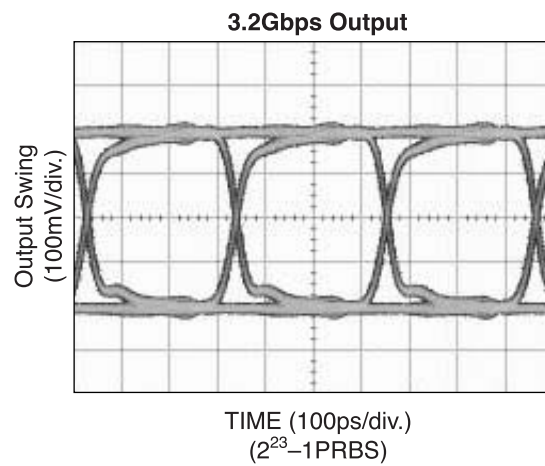
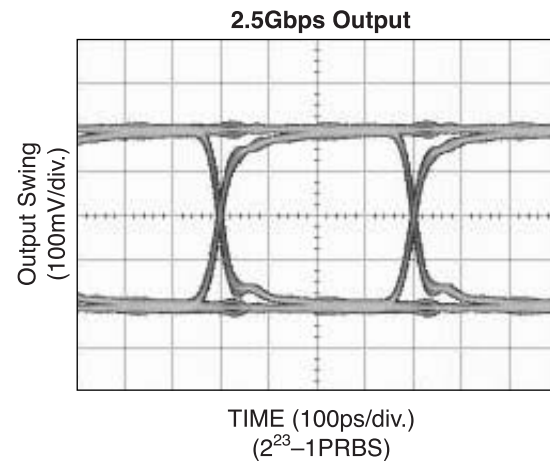
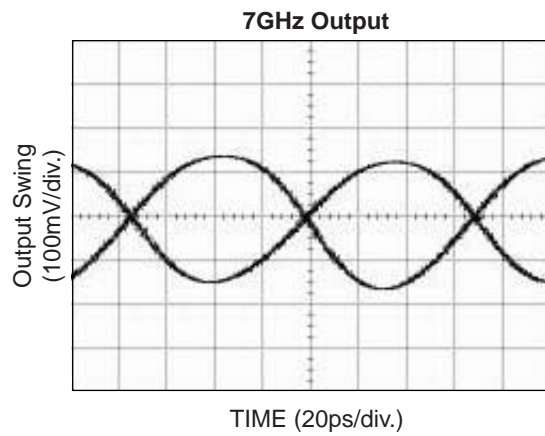
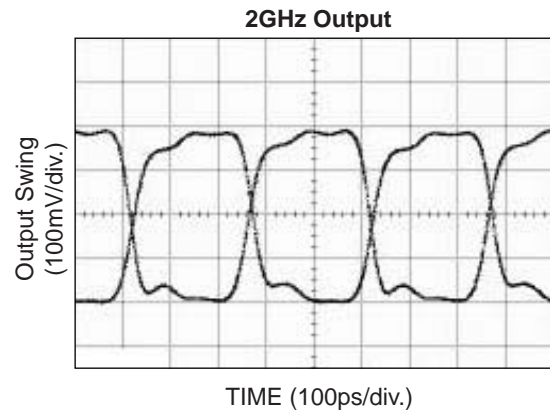
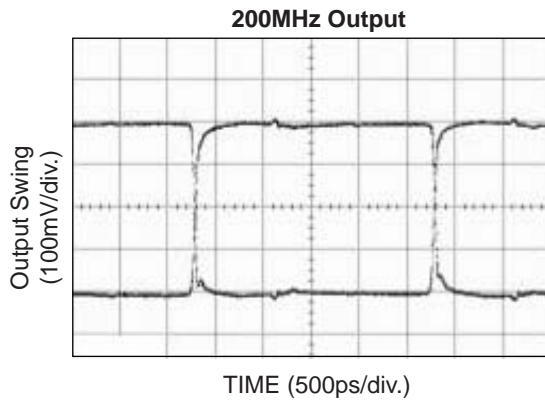
**TYPICAL OPERATING CHARACTERISTICS**

$V_{CC} = 3.3V$ ,  $V_{IN} = 100mV$ ,  $T_A = 25^\circ C$ , unless otherwise stated.

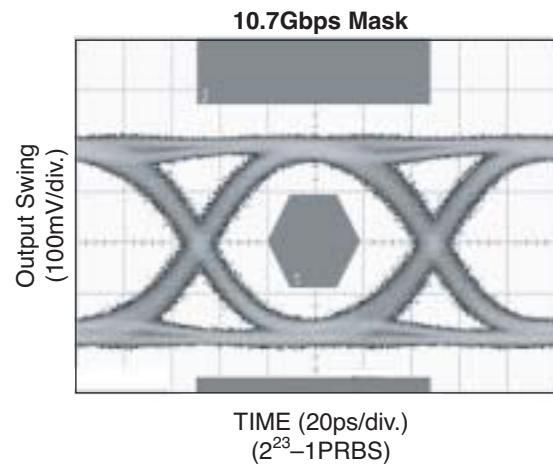
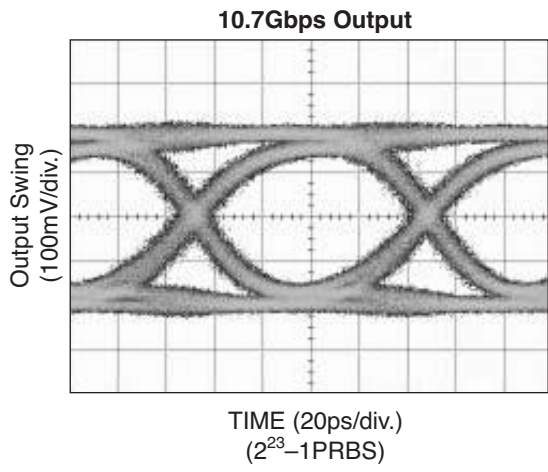


**TYPICAL OPERATING CHARACTERISTICS**

$V_{CC} = 3.3V$ ,  $V_{IN} = 100mV$ ,  $T_A = 25^\circ C$ , unless otherwise stated.







**INPUT AND OUTPUT STAGES**

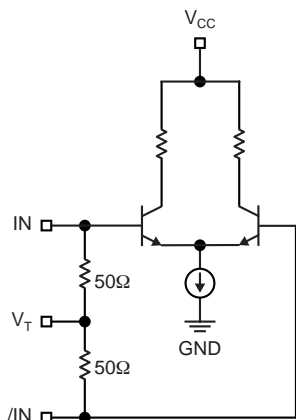


Figure 2a. Simplified Differential Input Stage

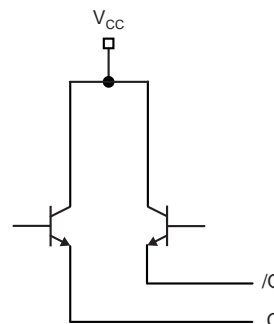


Figure 2b. Simplified LVPECL Output Stage

**INPUT INTERFACE APPLICATIONS**

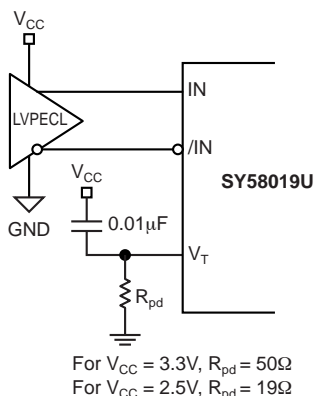


Figure 3a. LVPECL Interface (DC-Coupled)

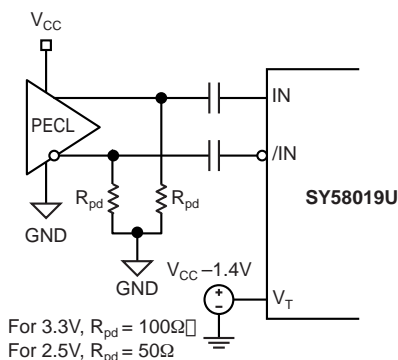


Figure 3b. LVPECL Interface (AC-Coupled)

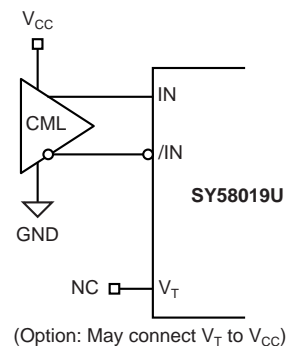


Figure 3c. CML Interface (DC-Coupled)

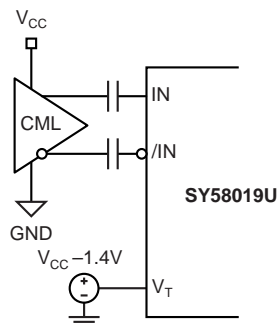


Figure 3d. CML Interface (AC-Coupled)

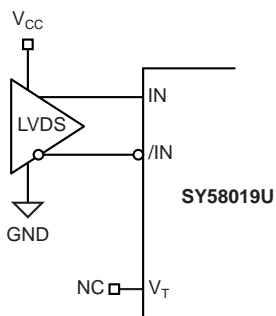
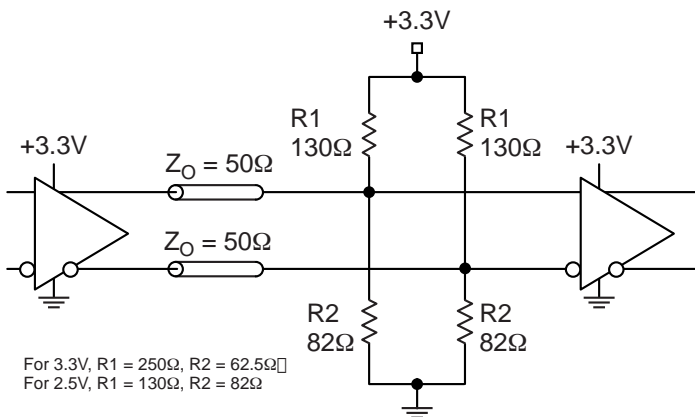
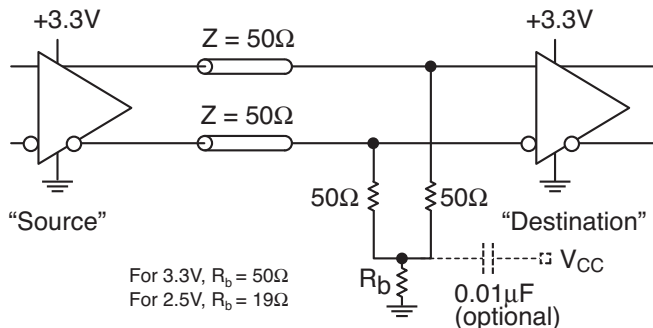


Figure 3e. LVDS Interface

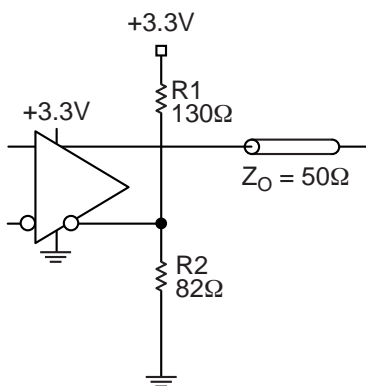
**OUTPUT INTERFACE APPLICATIONS**



**Figure 4a. Parallel Thevenin-Equivalent Termination**



**Figure 4b. Three-Resistor “Y” Termination**

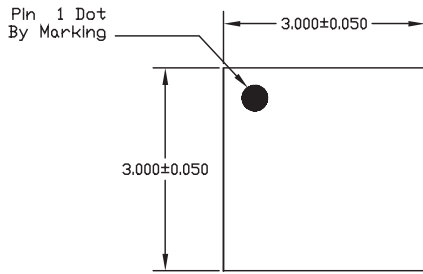


**Figure 4c. Terminating Unused I/O**

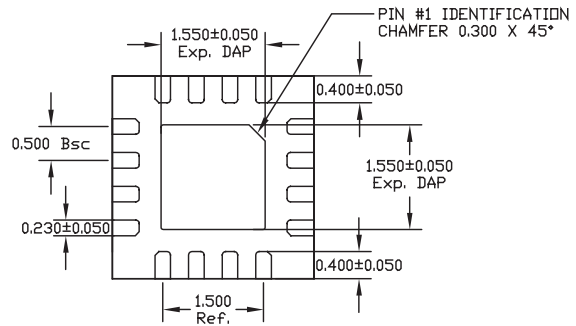
**RELATED MICREL PRODUCTS AND SUPPORT DOCUMENTATION**

Part Number	Function	Data Sheet Link
SY58016L	3.3V 10Gbps Differential CML Line Driver/Receiver with Internal I/O Termination	<a href="http://www.micrel.com/product-info/products/sy58016l.shtml">http://www.micrel.com/product-info/products/sy58016l.shtml</a>
SY58017U	Ultra Precision Differential CML 2:1 MUX with Internal I/O Termination	<a href="http://www.micrel.com/product-info/products/sy58017u.shtml">http://www.micrel.com/product-info/products/sy58017u.shtml</a>
SY58018U	Ultra Precision Differential LVPECL 2:1 MUX with Internal Termination	<a href="http://www.micrel.com/product-info/products/sy58018u.shtml">http://www.micrel.com/product-info/products/sy58018u.shtml</a>
SY58025U	10.7Gbps Dual 2:1 CML MUX with Internal I/O Termination	<a href="http://www.micrel.com/product-info/products/sy58025u.shtml">http://www.micrel.com/product-info/products/sy58025u.shtml</a>
SY58026U	5Gbps Dual 2:1 MUX with Internal Termination	<a href="http://www.micrel.com/product-info/products/sy58026u.shtml">http://www.micrel.com/product-info/products/sy58026u.shtml</a>
SY58027U	10.7Gbps Dual 2:1 400mV LVPECL MUX with Internal Termination	<a href="http://www.micrel.com/product-info/products/sy58027u.shtml">http://www.micrel.com/product-info/products/sy58027u.shtml</a>
SY58051U	10.7Gbps AnyGate® with Internal Input and Output Termination	<a href="http://www.micrel.com/product-info/products/sy58051u.shtml">http://www.micrel.com/product-info/products/sy58051u.shtml</a>
SY58052U	10Gbps Clock/Data Retimer with 50Ω Input Termination	<a href="http://www.micrel.com/product-info/products/sy58052u.shtml">http://www.micrel.com/product-info/products/sy58052u.shtml</a>
	MLF® Application Note	<a href="http://www.amkor.com/products/notes_papers/MLF_AppNote_0902.pdf">www.amkor.com/products/notes_papers/MLF_AppNote_0902.pdf</a>
HBW Solutions	New Products and Applications	<a href="http://www.micrel.com/product-info/products/solutions.shtml">www.micrel.com/product-info/products/solutions.shtml</a>

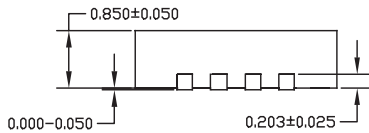
**16-PIN MicroLeadFrame® (MLF-16)**



TOP VIEW

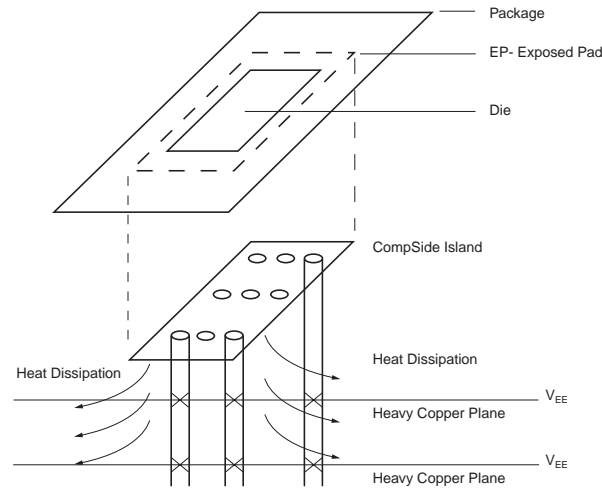


BOTTOM VIEW



SIDE VIEW

- NOTE:
1. ALL DIMENSIONS ARE IN MILLIMETERS.
  2. MAX. PACKAGE WARPAGE IS 0.05 mm.
  3. MAXIMUM ALLOWABLE BURRS IS 0.076 mm IN ALL DIRECTIONS.
  4. PIN #1 ID ON TOP WILL BE LASER/INK MARKED.



**PCB Thermal Consideration for 16-Pin MLF® Package  
(Always solder, or equivalent, the exposed pad to the PCB)**

**Package Notes:**

1. Package meets Level 2 qualification.
2. All parts are dry-packaged before shipment.
3. Exposed pads must be soldered to a ground for proper thermal management.

**MICREL, INC. 2180 FORTUNE DRIVE SAN JOSE, CA 95131 USA**

TEL + 1 (408) 944-0800 FAX + 1 (408) 474-1000 WEB <http://www.micrel.com>

The information furnished by Micrel in this data sheet is believed to be accurate and reliable. However, no responsibility is assumed by Micrel for its use. Micrel reserves the right to change circuitry and specifications at any time without notification to the customer.

Micrel Products are not designed or authorized for use as components in life support appliances, devices or systems where malfunction of a product can reasonably be expected to result in personal injury. Life support devices or systems are devices or systems that (a) are intended for surgical implant into the body or (b) support or sustain life, and whose failure to perform can be reasonably expected to result in a significant injury to the user. A Purchaser's use or sale of Micrel Products for use in life support appliances, devices or systems is at Purchaser's own risk and Purchaser agrees to fully indemnify Micrel for any damages resulting from such use or sale.

© 2005 Micrel, Incorporated.

## X-ON Electronics

Largest Supplier of Electrical and Electronic Components

*Click to view similar products for [Encoders, Decoders, Multiplexers & Demultiplexers](#) category:*

*Click to view products by [Micrel](#) manufacturer:*

Other Similar products are found below :

[MC74HC163ADTG](#) [74HC253N](#) [NLV74VHC1G01DFT1G](#) [TC74AC138P\(F\)](#) [NLV14051BDR2G](#) [NLV74HC238ADTR2G](#) [COMX-CAR-210](#)  
[5962-8607001EA](#) [NTE74LS247](#) [5962-8756601EA](#) [8CA3052APGGI8](#) [TC74VHC138F\(EL,K,F\)](#) [PI3B3251LE](#) [PI3B3251QE](#) [NTE4028B](#)  
[NTE4514B](#) [NTE4515B](#) [NTE4543B](#) [NTE4547B](#) [NTE74LS249](#) [NLV74HC4851AMNTWG](#) [MC74LVX257DG](#) [M74HCT4851ADWR2G](#)  
[AP4373AW5-7-01](#) [MC74LVX257DTR2G](#) [74VHC4066AFT\(BJ\)](#) [74VHCT138AFT\(BJ\)](#) [74HC158D.652](#) [74HC4052D\(BJ\)](#) [74VHC138MTC](#)  
[COMX-CAR-P1](#) [JM38510/65852BEA](#) [JM38510/30702BEA](#) [74VHC138MTCX](#) [74HC138D\(BJ\)](#) [NL7SZ19DFT2G](#) [74AHCT138T16-13](#)  
[74LCX138FT\(AJ\)](#) [74LCX157FT\(AJ\)](#) [NL7SZ18MUR2G](#) [PCA9540BD,118](#) [QS3VH16233PAG8](#) [SNJ54HC251J](#) [SN54LS139AJ](#)  
[SN74CBTLV3257PWG4](#) [SN74ALS156DR](#) [SN74AHCT139PWR](#) [74HC251D.652](#) [74HC257D.652](#) [74HCT153D.652](#)