

# 62CA1 – 1200V 62mm Core Adapter Board

Designed for use with the 2ASC-12A1HP SiC Driver Core

## Overview

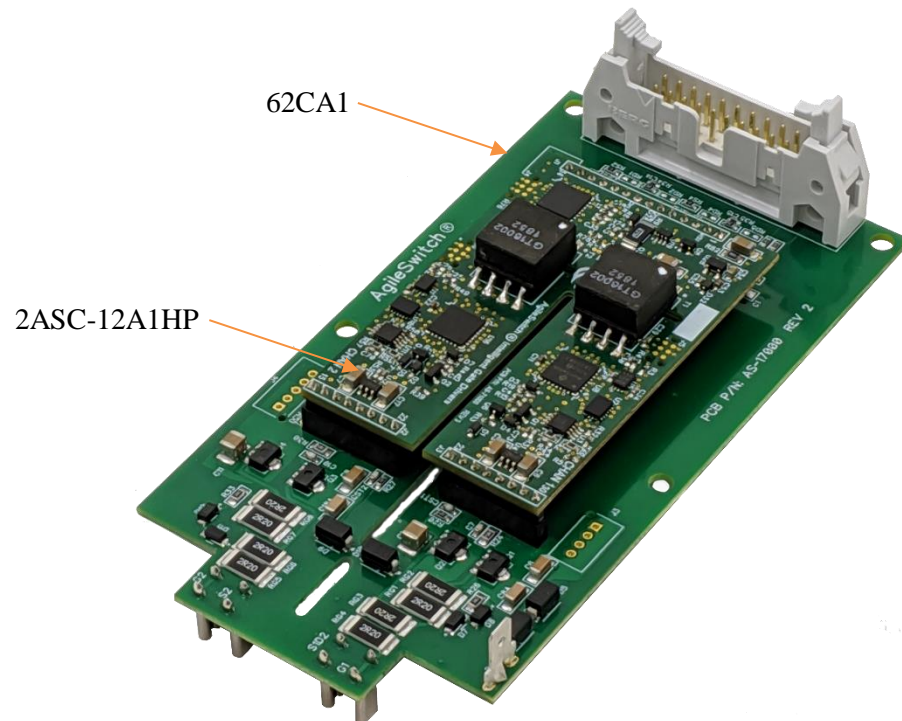
The AgileSwitch 62CA1 – 1200V 62MM Core Adapter Board is meant to serve as a quick evaluation tool for designers looking to design in the AgileSwitch 2ASC-12A1HP SiC Driver Core. The combination can serve as a Plug & Play Driver.

## Key Adapter Board Features

- UL Compliant - 1200V SiC MOSFET Modules
- Dual-Channel
- Robust High-Noise-Immunity Design
- Plug & Play for 62mm SiC Modules

## Applications

- Evaluation Tool



## Contents

System Overview .....	3
Absolute Maximum Ratings .....	3
Electrical Characteristics .....	4
Interconnects .....	5
Core Assembly on Adapter Board.....	6
Recommended Interface Circuitry .....	6
Schematic.....	8
Layout.....	10
Design Files .....	12
Important Precautions.....	12
Mechanical Dimensions.....	13
Revisions .....	13
Legal Disclaimer .....	14

## System Overview

The basic topology of the driver core is shown in Figure 1.

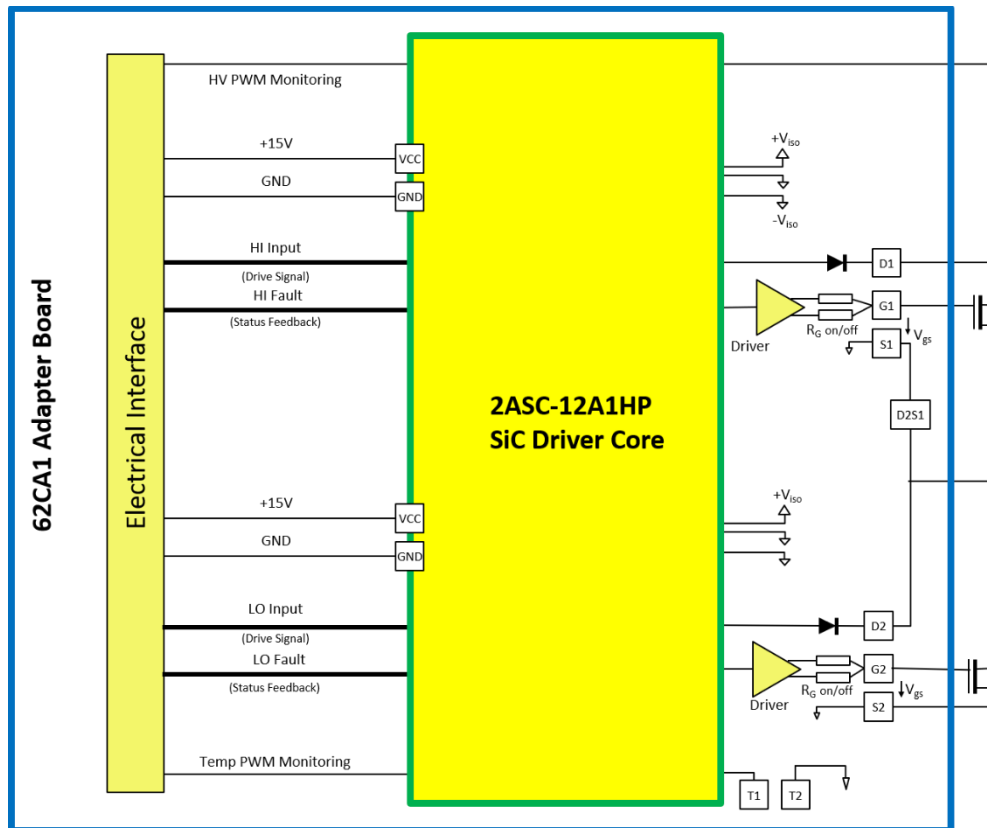


Figure 1 62CA1 Adapter Board Basic Topology

## Absolute Maximum Ratings

Interaction of maximum ratings is dependent on operating conditions

Parameter	Description	Min	Max	Unit
Supply Voltage	VCC to GND	0	16.5	V
Peak Gate Current	Note 1	-20	20	A
Input Logic Levels	To GND	-0.5	15	V
Switching Frequency	Note 2		100	kHz
Working Voltage	Primary to Secondary, Secondary to Secondary		1200	V
Creepage Distance	Primary to Secondary Side	8		mm
dV/dt	Rate of change input to output	100		kV/ $\mu$ s
Operating Temperature	Ambient Operating Temperature	-40	+85	$^{\circ}$ C
Storage Temperature		-40	+90	$^{\circ}$ C

## Electrical Characteristics

Conditions:  $V_{SUP} = +15.0\text{ V}$ ,  $V_{IN\_LOGIC} = 5\text{ V}$ , MOSFET ( $C_{iss} = 11.7\text{ nF}$ ;  $Q_g = 1025\text{ nC}$ )

Power Supply	Description	Min	Typ	Max	Unit
Supply Voltage	VCC to GND	14	15	16	V
Supply Current	Without Load		110		mA
Supply Current	With Load, Note 3		250		mA
Signal I/O	Description	Min	Typ	Max	Unit
Input Impedance	5V - Hi and Lo side input		100		$\Omega$
	15V – Hi & Lo side input		2000		$\Omega$
	5V Differential – Hi & Lo side input		240		$\Omega$
$V_{IN}$ Low	5V - Turn-off threshold			1.25	V
	15V – Turn-off threshold			4	V
$V_{IN}$ High	5V – Turn-on threshold	3.5			V
	15V – Turn-on threshold	10			V
$V_{IN}$ (differential option)	Difference between $V_{IN+}$ to $V_{IN-}$	2			V
Fault Output Voltage	Fault lines are open collect with 5mA load	0.3		24	V
Fault Output Current	Note 4			10	mA
Switching Frequency	Note 2			100	kHz

**Note 1:** Input signal should not be activated until 20 ms after power is applied to allow on board DC-DC converter to stabilize.

**Note 2:** Actual maximum switching speed is a function of gate capacitance.

**Note 3:** SiC MOSFET dependant, conditions listed above assume a MOSFET with  $C_{iss} = 11.7\text{ nF}$  &  $Q_g = 1025\text{ nC}$  operating at 50kHz

**Note 4:** Fault lines are open collector and require a pull-up resistor, 2K $\Omega$  recommended

## Interconnects

### Controller/Power to 62CA1 Connectors

Connector	Type	Ref	Manufacturer Part Number
Driver Board	20 Pin	J1	FCI 71918-220LF
Cable Assembly	20 Pin		FCI 71600-120LF

Recommended Cable for High Noise Environments: Flat Ribbon Cable, Twisted Pair, Shielded ([3M 1785/20 Series](#))

### Master to Slave Driver Connectors (Optional – Standard is DNP)

Connector	Type	Ref	Manufacturer Part Number
Driver Board	5 Pin	J3	JST B05B-PASK-1
Cable Assembly	5 Pin		JST PAP-05V-S
Driver Board	4 Pin	J4	JST B04B-PASK-1
Cable Assembly	4 Pin		JST PAP-04V-S

### Thermistor Connector (Optional – Standard is DNP)

Connector	Type	Ref	Manufacturer Part Number
Driver Board	2 Pin	J2	JST B02B-PASK-1
Cable Assembly	2 Pin		JST PAP-02V-S

Standard part is a vertical 2 pin header. Right-angle 2 pin header available upon request (P/N: JST S02B-PASK-2)

### MOSFET Terminals

Ref ID	Type	Manufacturer Part Number
G1, G2, S2, S1D2	2.8mm Quick Fit	Keystone 3534
D1*	4.8mm Quick Fit	Keystone 1285-ST

\*Recommended Mate for D1 – [Keystone 8291](#) (Female Fully Insulated Quick Fit Terminal)

\*D1 Quick Fit terminal on gate driver must be connected to the D1 terminal on the SiC MOSFET module.

### 2ASC-12A1HP Connection Sockets

Connector	Type	Ref	Manufacturer Part Number
Input	14 Pin	J1	NPPN141BFCN-RC or similar
Ch 1, Ch 2	8 Pin	J2, J3	NPPN081BFCN-RC or similar

Note: The 2ASC-12A1HP can be mounted to the adapter board using sockets or by soldering.

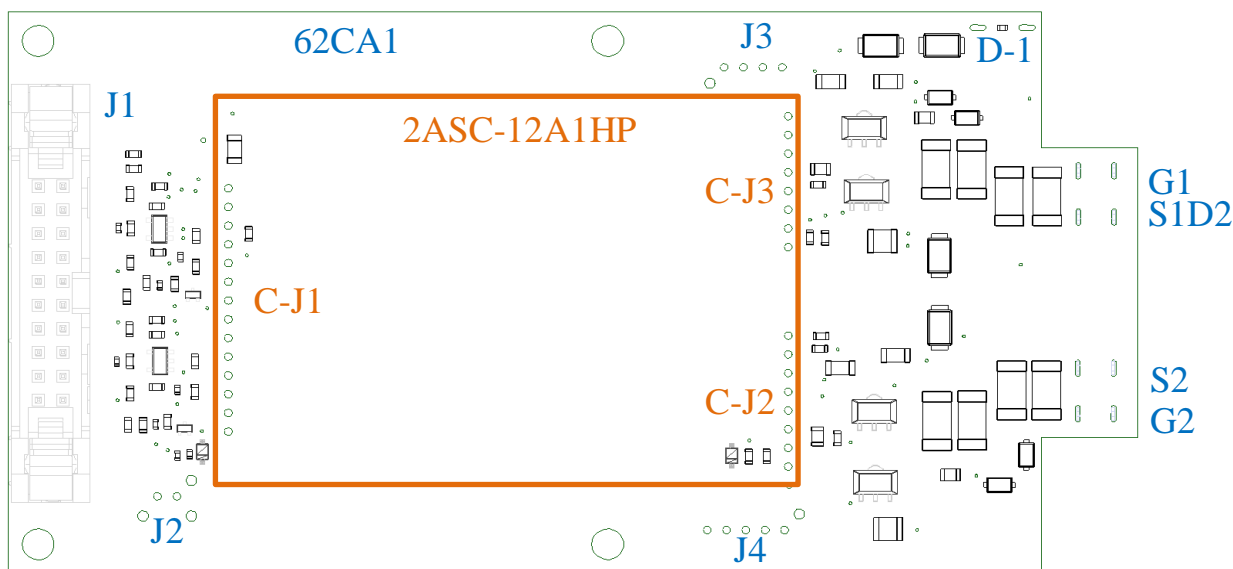


Figure 2 62CA1 Interconnects on Adapter Board

## Mounting of Core Assembly on Adapter Board

### Method 1 - Soldering

2ASC-12A1HP can be directly soldered onto an Adapter Board without the need for additional support.

### Method 2 – Socket

2ASC-12A1HP can be plugged into female sockets on an Adapter Board.

### Recommended Sockets

Ref	Connector	Type	Manufacturer Part Number
J1	Input	14 Pin, 2mm pitch spacing	NPPN141BFCN-RC
J2, J3	Ch 1, Ch 2	8 Pin, 2mm pitch spacing	NPPN081BFCN-RC

## Recommended Interface Circuitry

### Primary

#### Block Diagram

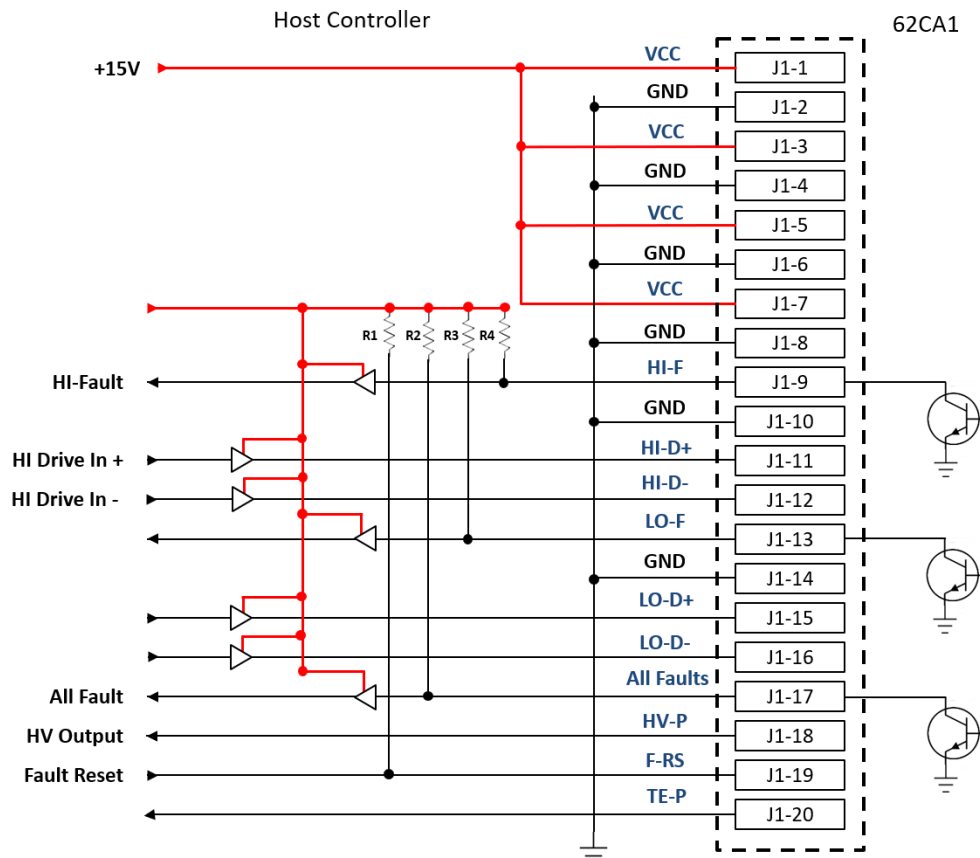


Figure 3 62CA1 Recommended Interface Circuitry

## Temperature and High Voltage PWM Monitoring

The AgileSwitch 2ASC-12A1HP Driver provides two 31.5 kHz, 5.0V PWM output signals that monitor the thermistor temperature (isolated or non-isolated) and the DC Link Voltage (High Side drain to Low Side source) of the SiC MOSFET power module. The PWM signals have an output impedance of 510Ω. When combined with an external low pass filter, these signals represent a real time voltage for both High Voltage and Thermistor Temperature. A Sallen-Key active low pass filter can be used with these outputs as shown below with a 2 kHz cut-off frequency. The cut-off frequency can be optimized for your application. For simplicity, a simple RC low pass filter with 100 Hz cut-off frequency can also be used.

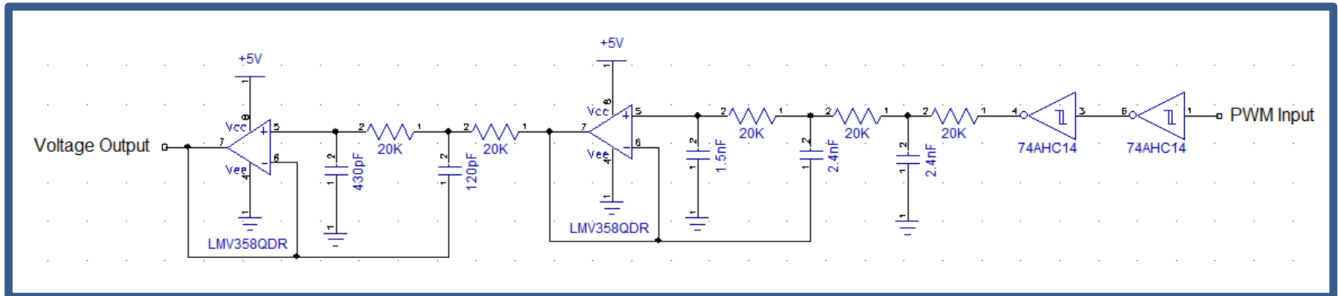
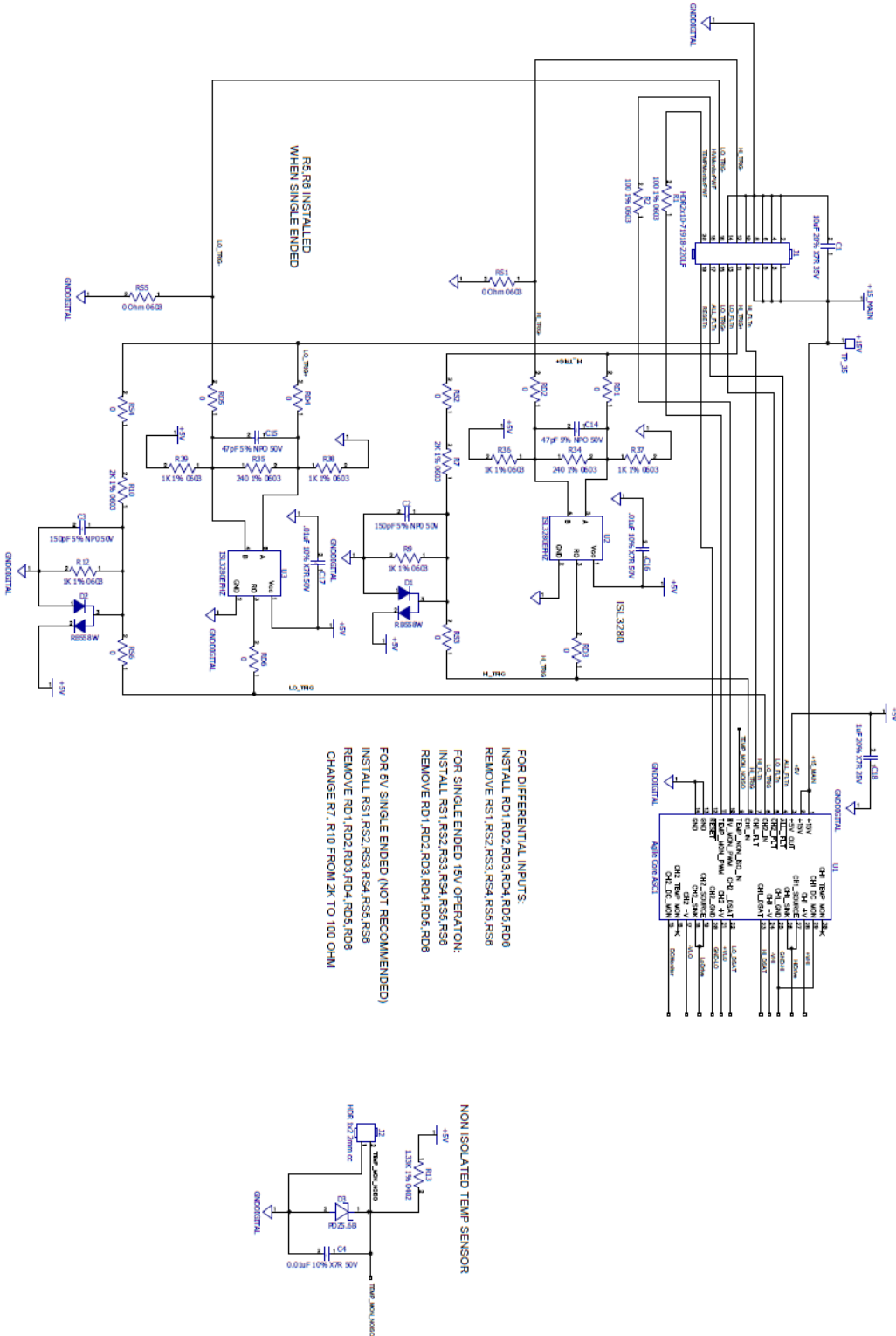


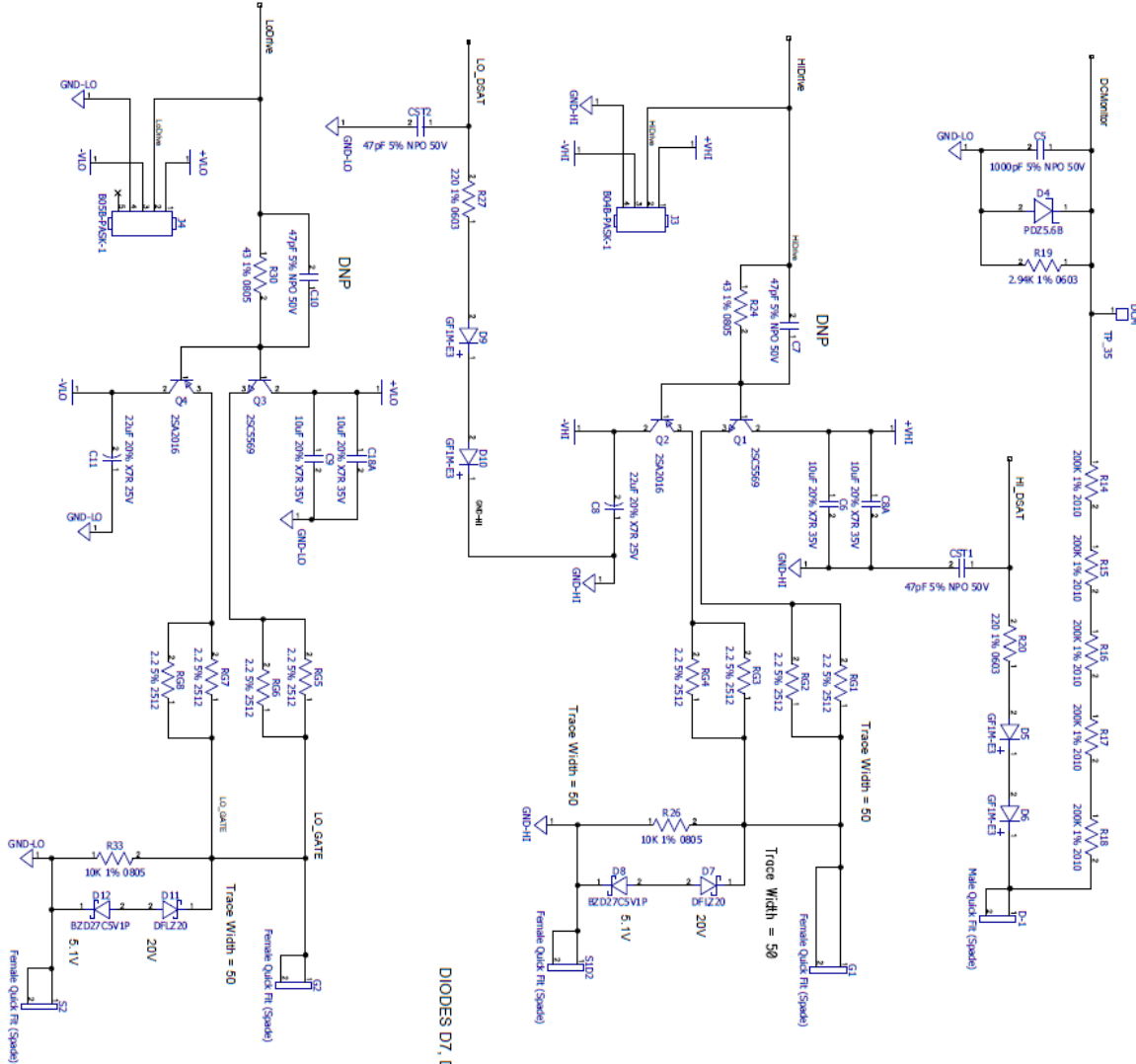
Figure 4 Example of a Low Pass Filter for DC Link PWM output

## 62CA1 Schematic

### Control I/O – Sheet 1 of 2



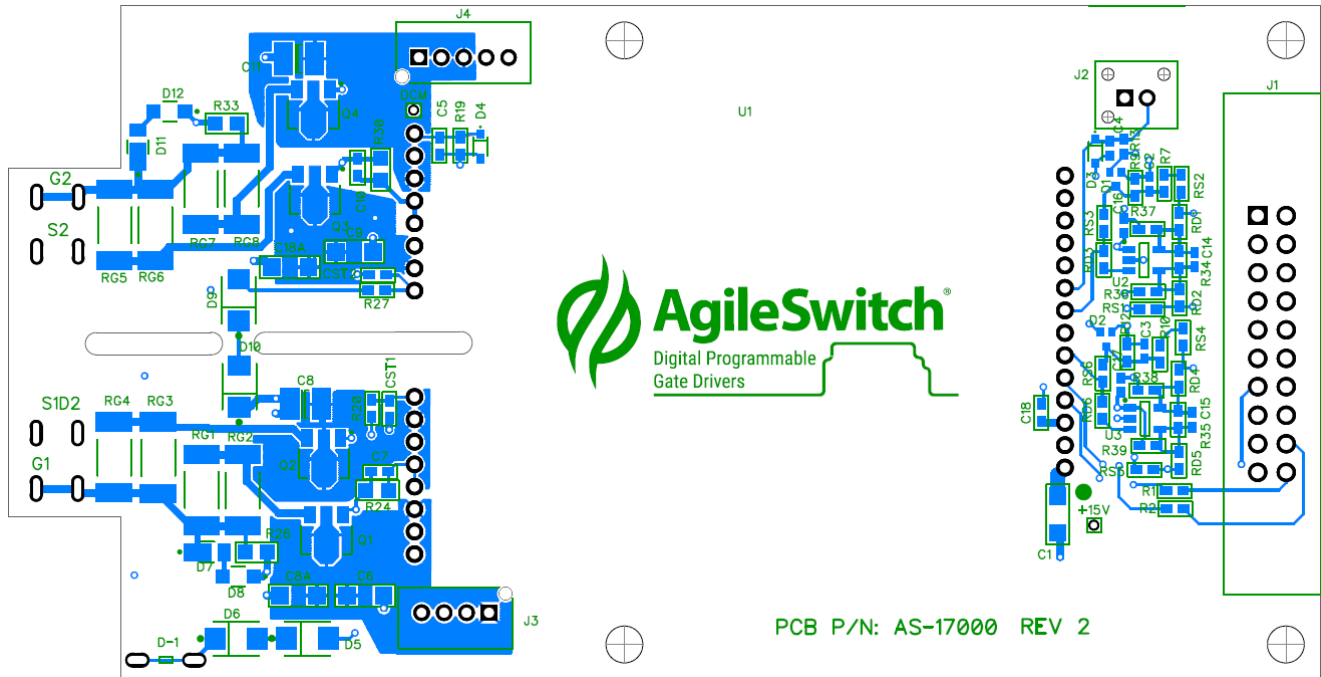


**HI & LO Side Drivers – Sheet 2 of 2**


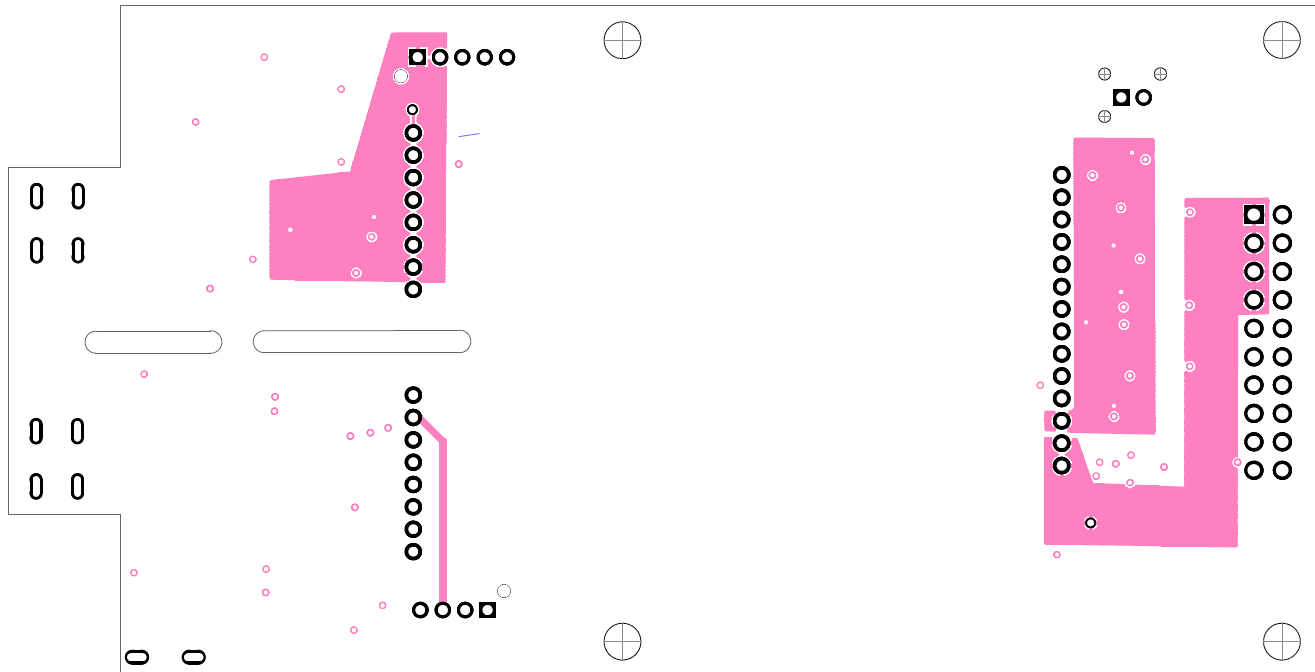
DIODES D7, D8, D11, D12 MAY NEED TO BE CHANGED FOR DIFFERENT MODULES

## Layout

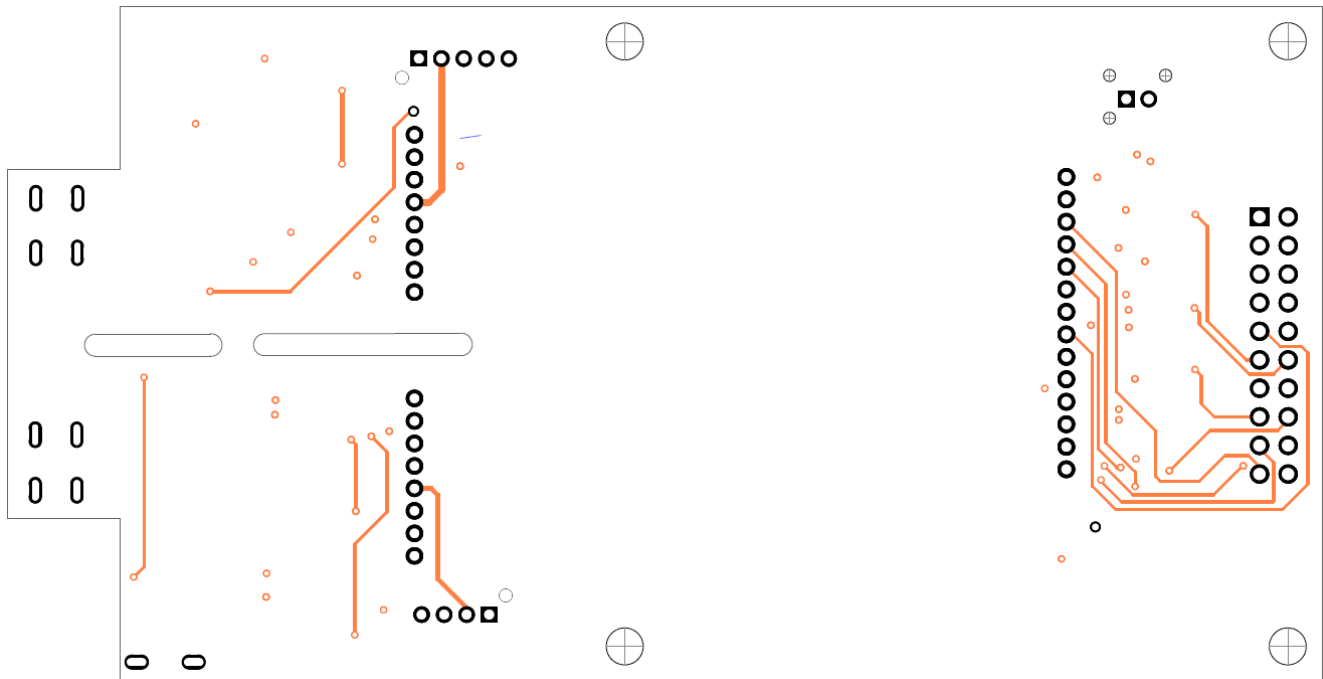
### Layer 1 - Top



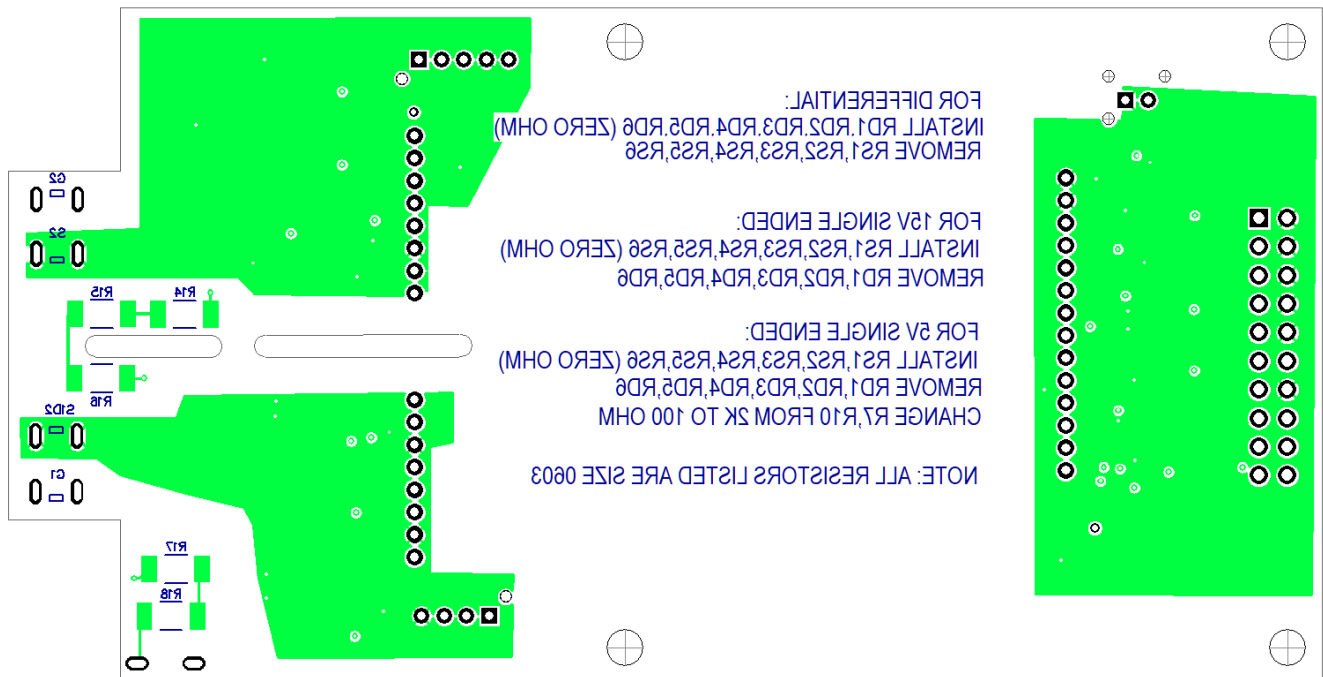
### Layer 2 - Voltage



### Layer 3 – Signals



### Layer 4 – Bottom\_GND



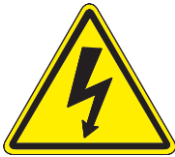
## Design Files

The Schematic, Layout and Bill of Materials for the 62CA1 are publicly available for download.

Please visit AgileSwitch.com for access to these files.

<http://www.agileswitch.com/module-adapter-boards>

## Important Precautions

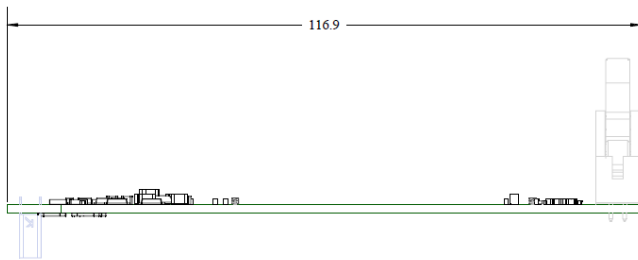
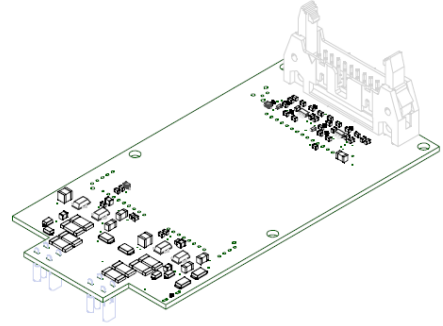
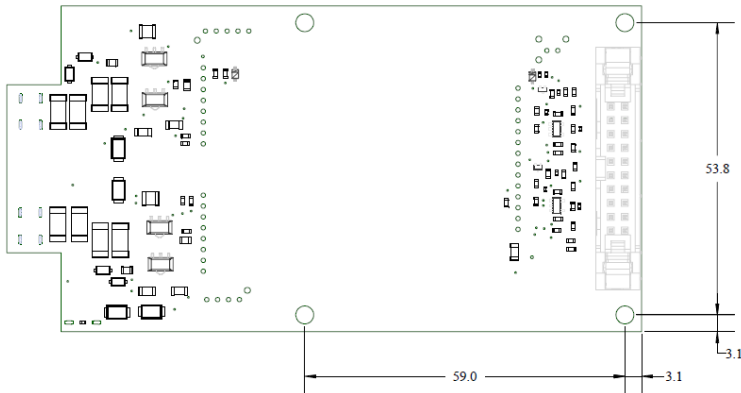


**Caution: Handling devices with high voltages involves risk to life. It is imperative to comply with all respective precautions and safety regulations.**

**When installing the core and adapter board, please make sure that power is turned off. Hot swapping may cause damage to the IC components on the board.**

**AgileSwitch assumes that the core and adapter board have been mounted on the SiC MOSFET prior to start-up testing. It is recommended that the user checks that the SiC MOSFET power modules are operating inside the Specified Operating Area (SOA) as specified by the module manufacturer including short circuit testing under very low load conditions.**

## Mechanical Dimensions



Dimensions are in mm.

## Revisions

Prepared By	Approved By	Version	Date	Description
N. Satheesh A. Fender		1	5/30/2019	Preliminary Release

## Legal Disclaimer

Information in this document is provided solely in connection with AGILESWITCH products. AGILESWITCH, LLC and its subsidiaries (“AGILESWITCH”) reserve the right to make changes, corrections, modifications or improvements, to this document, and the products and services described herein at any time, without notice.

All AGILESWITCH products are sold pursuant to AGILESWITCH’s [terms and conditions of sale](#).

Purchasers are solely responsible for the choice, selection and use of AGILESWITCH products and services described herein, and AGILESWITCH assumes no liability whatsoever relating to the choice, selection or use of the AGILESWITCH products and services described herein.

No license, express or implied, by estoppel or otherwise, to any intellectual property rights is granted under this document. If any part of this document refers to any third party products or services it shall not be deemed a license grant by AGILESWITCH for the use of such third party products or services, or any intellectual property contained therein or considered as a warranty covering the use in any manner whatsoever of such third party products or services or any intellectual property contained therein.

UNLESS OTHERWISE SET FORTH IN AGILESWITCH’S TERMS AND CONDITIONS OF SALE AGILESWITCH DISCLAIMS ANY EXPRESS OR IMPLIED WARRANTY WITH RESPECT TO THE USE AND/OR SALE OF AGILESWITCH PRODUCTS INCLUDING WITHOUT LIMITATION IMPLIED WARRANTIES OF MERCHANTABILITY, FITNESS FOR A PARTICULAR PURPOSE (AND THEIR EQUIVALENTS UNDER THE LAWS OF ANY JURISDICTION), OR INFRINGEMENT OF ANY PATENT, COPYRIGHT OR OTHER INTELLECTUAL PROPERTY RIGHT.

UNLESS EXPRESSLY APPROVED IN WRITING BY AN AUTHORIZED AGILESWITCH REPRESENTATIVE, AGILESWITCH PRODUCTS ARE NOT RECOMMENDED, AUTHORIZED OR WARRANTED FOR USE IN MILITARY, AIR CRAFT, SPACE, LIFE SAVING, OR LIFE SUSTAINING APPLICATIONS, NOR IN PRODUCTS OR SYSTEMS WHERE FAILURE OR MALFUNCTION MAY RESULT IN PERSONAL INJURY, DEATH, OR SEVERE PROPERTY OR ENVIRONMENTAL DAMAGE.

AGILESWITCH PRODUCTS WHICH ARE NOT SPECIFIED AS "AUTOMOTIVE GRADE" MAY ONLY BE USED IN AUTOMOTIVE APPLICATIONS AT USER’S OWN RISK.

Resale of AGILESWITCH products with provisions different from the statements and/or technical features set forth in this document shall immediately void any warranty granted by AGILESWITCH for the AGILESWITCH product or service described herein and shall not create or extend in any manner whatsoever, any liability of AGILESWITCH.

AGILESWITCH, the AGILESWITCH logo, AgileStack, AgileStack Communications and Stack Black Box are trademarks or registered trademarks of AGILESWITCH, LLC in various countries. Any other names are the property of their respective owners.

EconoDual and PrimePACK are trademarks of Infineon Technologies AG.

Information in this document supersedes and replaces all information previously supplied. Specifications are subject to change without notice.

© 2010-2019 AGILESWITCH LLC - All rights reserved [www.AgileSwitch.com](http://www.AgileSwitch.com).

### Patent Notices

Offering	Issued U.S. Patent Numbers
AgileStack™ Power Stack	8,984,197
Gate Drivers for WBG Power Semiconductors	9,490,798
Additional Patents Pending	

### Manufacturer

AgileSwitch, LLC	Tel: +1-484-483-3256 (US)
2002 Ludlow Street #4	+44 (0)1273 252994 (Europe)
Philadelphia, PA 19103	Email: <a href="mailto:info@AgileSwitch.com">info@AgileSwitch.com</a>
United States	Web: <a href="http://www.AgileSwitch.com">www.AgileSwitch.com</a>

## X-ON Electronics

Largest Supplier of Electrical and Electronic Components

*Click to view similar products for [Modules Accessories](#) category:*

*Click to view products by [Microchip](#) manufacturer:*

Other Similar products are found below :

[7010-0001](#) [AX98219](#) [A1UL8RISER](#) [F1UJPMICRISER](#) [FHW1U16RISER](#) [20-101-0440](#) [MBCDROM](#) [AX61221TM](#) [VM-105](#) [EA](#)  
[CARREDIPTFT02](#) [76000958](#) [RK-210E-B](#) [E226171106](#) [88606200030E](#) [8816K6400A0E](#) [SI-HDMI-EDID-EM](#) [MIC-75M13-00A1E](#) [FPM-](#)  
[1000T-SMKE](#) [AMK-R004E](#) [96FMCF-ST2ADAPTER1](#) [AHWKPTP12GBGB](#) [AXXSTCPUCAR](#) [FPK-07-R10](#) [Mini Din 6P to 6P HARNESS](#)  
[881261510A0E](#) [AXXP3SWX08080](#) [conga-B7XD/CSP-Cu-B](#) [881281021A0E](#) [HFT for mounting KIT FN928X\\_FN929X](#) [BB-MH112-1A](#)  
[15100600](#) [9-5000-1116](#) [BKCMCR1ABB](#) [BKCMCR1ABA](#) [70763](#) [98R3612003E](#) [881261910A0E](#) [106897](#) [4D ARDUINO ADAPTOR](#)  
[SHIELD II](#) [20926110901](#) [PYCASE GREEN](#) [PYCASE BLUE](#) [FP15072\\_ZORYA-SC-HEKLA](#) [20952000004](#) [20953000007](#) [DP-DVI-R10](#)  
[575-BBIS](#) [RACK-220GW/A130B](#) [850-33100](#) [492-BBKM](#)