

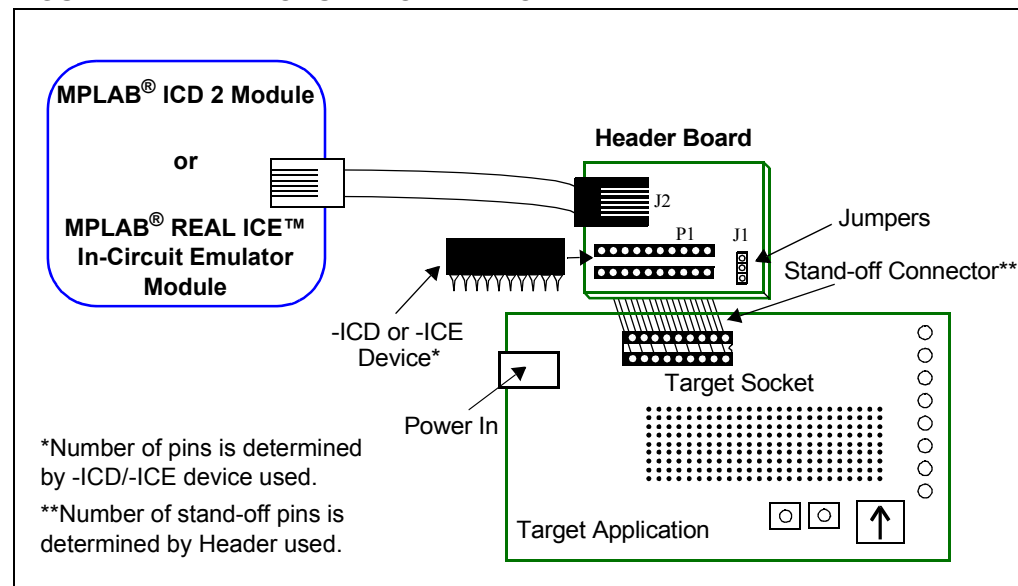
Header Board Specification

INTRODUCTION

This document contains information about MPLAB[®] ICD 2 in-circuit debugger and MPLAB[®] REAL ICE[™] in-circuit emulator header boards, which provide in-circuit debugging and/or emulating capabilities for specific Microchip devices.

A special ICD or ICE device is connected to a header board to be used with the debugger or emulator. This device is mounted on the top of a header and its signals are routed to the debugger or emulator connector. On the bottom of the header is a socket that is used to connect to the target board. For an example connection, see Figure 1.

FIGURE 1: MODULE CONNECTION WITH HEADER



Special ICD/ICE versions of selected devices are needed to provide one or more of the following:

- the built-in debug circuitry that a device may lack
- additional pins for the clock, data and MCLR functions required, so regular pins do not have to be forfeited
- dedicated program/data memory for in-circuit debug or emulation

These special device versions are labeled with the appropriate suffix (i.e., either *Device-ICD* or *Device-ICE*).

In general, ICD devices are designed for MPLAB ICD 2 debugger use and ICE devices are designed for MPLAB REAL ICE emulator use. However, ICD devices may be used with the MPLAB REAL ICE emulator and ICE devices may be used with the MPLAB ICD 2 debugger, but will provide only basic ICD functionality.

Header Board Specification

GENERAL HEADER SETUP

To set up a header board:

1. If the ICD/ICE device is not soldered onto the header, plug the device into the socket on the top of the header.
2. Set any jumpers or switches to determine device functionality/selection as specified for that header.

HEADER CONNECTION TO THE DEBUGGER/EMULATOR AND TARGET

Connect the modular interface cable between the MPLAB ICD 2 debugger and the header board. For MPLAB REAL ICE in-circuit emulator connections, consult the emulator documentation.

The header may be connected to the target board as follows:

- PDIP header socket to PDIP target socket with a stand-off (male-to-male connector)
- Header socket to plug on the target board
- Header socket to target socket with a transition socket (see the “*Transition Socket Specification*”, DS51194)

PROGRAMMING NON-ICD/ICE DEVICES

The header board can only program the ICD/ICE device, not the regular device. To program non-ICD/ICE devices, use the Universal Programming Module (AC162049) or design a modular interface connector on the target. See the appropriate specification for connections. For the most up-to-date device programming specifications, see the Microchip website (www.microchip.com).

CALIBRATION BITS

The calibration bits for the band gap and internal oscillator are always preserved to their factory settings.

PERFORMANCE ISSUES

The PIC[®] MCU devices do not support partial program memory erase; therefore, users may experience slower performance than with other devices.

REFERENCES

Please consult the following resources, as needed:

- MPLAB ICD 2
 - *"MPLAB[®] ICD 2 In-Circuit Debugger User's Guide"* (DS51331)
 - MPLAB ICD 2 Help
 - Readme for MPLAB ICD 2
- MPLAB REAL ICE In-Circuit Emulator
 - *"MPLAB[®] REAL ICE™ In-Circuit Emulator User's Guide"* (DS51616)
 - MPLAB REAL ICE Help
 - Readme for MPLAB REAL ICE
- MPLAB IDE
 - *"MPLAB[®] IDE, Editor and Simulator User's Guide"* (DS51519)
 - MPLAB IDE Help
 - Readme for MPLAB IDE

Header Board Specification

NOTES:



Headers for ICD Devices

INTRODUCTION

Some devices have no built-in debug circuitry. Therefore, special ICD versions of these devices are required for MPLAB® ICD 2 operation.

Other devices have built-in debug circuitry and do not require a header to use MPLAB ICD 2. However, some pins and memory must be used to support the ICD function. Therefore, for some of these devices, special ICD versions offering additional pins (and sometimes memory) are available to provide more transparent debugging capabilities.

Currently-available headers and their associated ICD devices/supported devices are shown below.

TABLE 1: HEADERS – ICD DEVICES

Device	Header Part Number	ICD Device Used	Pin Count	V _{DD} Max
PIC10F200/2/4/6	AC162059	PIC16F505-ICD	14	5.5V
PIC10F220/2	AC162070	PIC16F506-ICD	14	5.5V
PIC12F508/509	AC162059	PIC16F505-ICD	14	5.5V
PIC12F510	AC162070	PIC16F506-ICD	14	5.5V
PIC12F629	AC162050	PIC12F675-ICD ⁽¹⁾	8	5.5V
PIC12F635	AC162057	PIC16F636-ICD	14	5.5V
PIC12F675	AC162050	PIC12F675-ICD ⁽¹⁾	8	5.5V
PIC12F683	AC162058	PIC12F683-ICD	8	5.5V
PIC16F505	AC162059	PIC16F505-ICD	14	5.5V
PIC16F506	AC162070	PIC16F506-ICD	14	5.5V
PIC16F627A/628A	AC162053	PIC16F648A-ICD ⁽¹⁾	18	5.5V
PIC16F630	AC162052	PIC16F676-ICD ⁽¹⁾	14	5.5V
PIC16F631	AC162061	PIC16F690-ICD	20	5.5V
PIC16F636	AC162057	PIC16F636-ICD	14	5.5V
PIC16F639 (Dual die)	AC162066	PIC16F636-ICD	20	5.5V
PIC16F648A	AC162053	PIC16F648A-ICD ⁽¹⁾	18	5.5V
PIC16F676	AC162052	PIC16F676-ICD ⁽¹⁾	14	5.5V
PIC16F677	AC162061	PIC16F690-ICD	20	5.5V
PIC16F684	AC162055	PIC16F684-ICD	14	5.5V
PIC16F685/687	AC162061	PIC16F690-ICD	20	5.5V
PIC16F688	AC162056	PIC16F688-ICD	14	5.5V
PIC16F689/690	AC162061	PIC16F690-ICD	20	5.5V

Headers for ICD Devices

TABLE 1: HEADERS – ICD DEVICES (CON'T)

Device	Header Part Number	ICD Device Used	Pin Count	VDD Max
PIC16F716	AC162054	PIC16F716-ICD	18	5.5V
PIC16F785/HV785	AC162060	PIC16F785-ICD	20	5.5V
PIC18F1230/1330	AC162078	PIC18F1330-ICD	18/20/28	5.5V

(1) These devices cannot be programmed or read using MPLAB® ICD 2 while GP1/RA1 is high (V_{IH}). Move circuitry that makes GP1/RA1 high to another I/O pin during development. See device programming specifications for more information.

ICD HEADER SETUP

From the table in the previous section, determine the appropriate header for your device.

AC162050, AC162052, AC162055, AC162056, AC162057, AC162058

For these headers, device peripherals need to be selected by setting jumper J1 to the appropriate position. This will have the effect of selecting the device.

Header	Jumper J1	Function	Device Selected
AC162050	2-3	A/D Disabled	PIC12F629
	1-2	A/D Enabled	PIC12F675
AC162052	2-3	A/D Disabled	PIC16F630
	1-2	A/D Enabled	PIC16F676
AC162055	Don't care	N/A	PIC16F684
AC162056	Don't care	N/A	PIC16F688
AC162057	2-3	PORTC, Comparator 2 Disabled	PIC12F635
	1-2	PORTC, Comparator 2 Enabled	PIC16F636
AC162058	1-2	A/D Enabled	PIC12F683

AC162053

For this headers, there are no jumpers/switches. The device with the most program memory is always selected.

If PIC16F627A or PIC16F628A devices are selected for MPLAB ICD 2 development in MPLAB IDE, the warning "ICDWarn0020: Invalid target device id" may be received in the build window and as a dialog. The reason is the PIC16F648A-ICD device supports PIC16F648A, PIC16F627A and PIC16F628A, but only reports the device ID for the PIC16F648A.

Ignore this warning or disable it under the **Warnings** tab on the ICD Programming dialog.

AC162054

This header supports one device (PIC16F716) so there are no jumpers or switches.

AC162059, AC162070

The ICD devices on these headers are specifically designed to select a device without the use of additional jumpers or switches.

Headers for ICD Devices

AC162060

For the PIC16F785 20-pin header, you will need to connect the jumper J2 to enable the shunt regulator.

Device	Device Type	Jumper Setting	Function
PIC16F785	F	1-2	Disable shunt regulator
PIC16HV785	HV	2-3	Enable shunt regulator

AC162061

For the PIC16F690 20-pin header, you will need to set the S1 switches (Figure 1) to enable peripherals and choose devices (Table 2).

FIGURE 1: S1 SWITCH HARDWARE

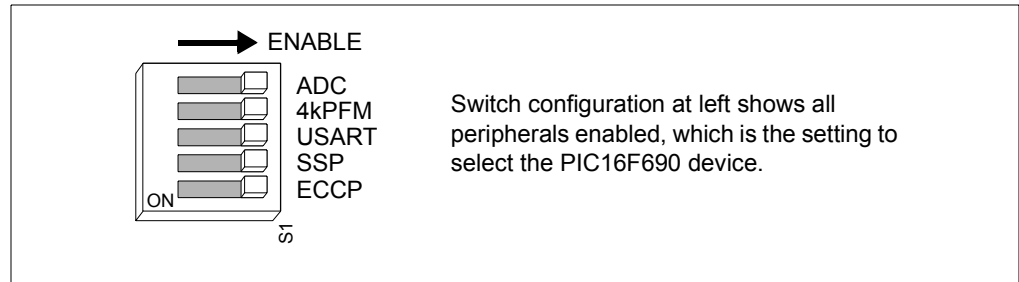


TABLE 2: S1 SWITCH DEVICE SELECTION

Device	Switches				
	ADC	4k PFM	USART	SSP	ECCP
PIC16F631	0	0*	0	0	0
PIC16F677	1	0**	0	1	0
PIC16F685	1	1	0	0	1
PIC16F687	1	0**	1	1	0
PIC16F689	1	1	1	1	0
PIC16F690	1	1	1	1	1

Legend: 1 = Enabled 0 = Disabled * = 1k PFM ** = 2k PFM

AC162066

For the PIC16F639 20-pin header, you will need to connect the jumper J3 as specified below.

Tool	Jumper Setting	Function
MPLAB [®] ICE 2000	1-2	Run/program as regular device
MPLAB ICD 2	2-3	Run/program as ICD device

In addition to being used with MPLAB ICD 2, this header is used with the PCM16YM0 processor module to emulate a PIC16F639 on the MPLAB ICE 2000 in-circuit emulator. Plug the end of the processor module into the header, and then plug the header into the transition socket or directly onto the target board.

Headers for ICD Devices

AC162078

This header board can be used with the following targets:

1. Customer target board for PIC18F1230/1330 devices. The target board should have an 18-pin DIP socket to connect to the 18-pin DIP socket on the header board.
2. PICDEM MC motor control demo board. Use the 28-pin DIP socket on both boards to mount the header board on to the PICDEM MC board.
3. PICDEM MC LV motor control demo board. Use the 28-pin DIP socket on both boards to mount the header board on to the PICDEM MC LV board.

The following sections detail the configuration of the jumpers on the header board for use with the above-mentioned boards. For more details, refer to the Schematics section of this document.

CUSTOMER TARGET BOARD

The default configuration is to remove all jumpers.

S1 is not populated and should not be used.

After the header board is set up, do the following:

1. Connect the header to the target board.
2. Power the target board. You should see the red LED on the header board turn on.
3. Connect the MPLAB ICD 2 to the header board.
4. Use MPLAB IDE and MPLAB ICD 2 to develop your application.

PICDEM MC/MC LV MOTOR CONTROL DEMO BOARDS

To run a BLDC motor on the PICDEM MC board or PICDEM MC LV board using the supplied firmware, use the following jumper setup:

Jumper	Jumper Setting	Jumper	Jumper Setting
J1	2-3	JP1	Open
J2	2-3	JP2	Open
J3	2-3	JP3	Open
J5	2-3		
J6	1-2		
J7	1-2		

S1 is not populated and should not be used.

After the header board is set up, do the following:

1. Connect the header to the PICDEM MC/MC LV target board.
2. Power the target board. You should see the red LED on the header board turn on.
3. Connect the MPLAB ICD 2 to the header board.
4. Program the part with the demo code.
5. Run the program.
6. Press and release switch S2 on the target board to toggle the direction of rotation of the motor.
7. Press and release switch S1 on the target board to toggle between run and stop the motor.
8. If the motor stops while reversing from a high speed, there could be an overcurrent condition detected by the system. Reset the system to run the program again.

ICD HEADER DIMENSIONS

The table below lists the dimensions for each ICD header board. Dimensions are design values in inches.

TABLE 3: HEADER DIMENSIONS

Header Part Number	Length	Width	Height
AC162050	1.275	1.000	0.525
AC162052	1.300	1.275	0.525
AC162053	2.350	0.750	0.525
AC162054	2.350	0.750	0.525
AC162055	1.300	1.275	0.525
AC162056	1.300	1.275	0.525
AC162057	1.300	1.275	0.525
AC162058	1.275	1.000	0.525
AC162059	2.25	0.75	0.525
AC162060	2.25	0.75	0.525
AC162061	1.650	1.450	0.525
AC162066	2.325	0.850	0.525
AC162070	2.25	0.75	0.525
AC162078	2.3	2.05	0.525

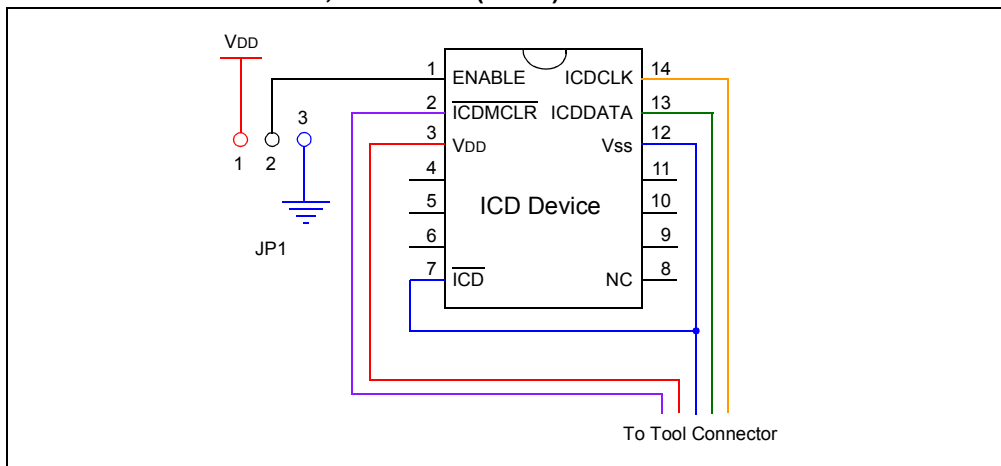
If the length and/or width of the header board is too large a footprint for the target board, consider using stand-offs, transition sockets or other extenders in the header connection socket to raise the header above the target.

Headers for ICD Devices

ICD HEADER SCHEMATICS

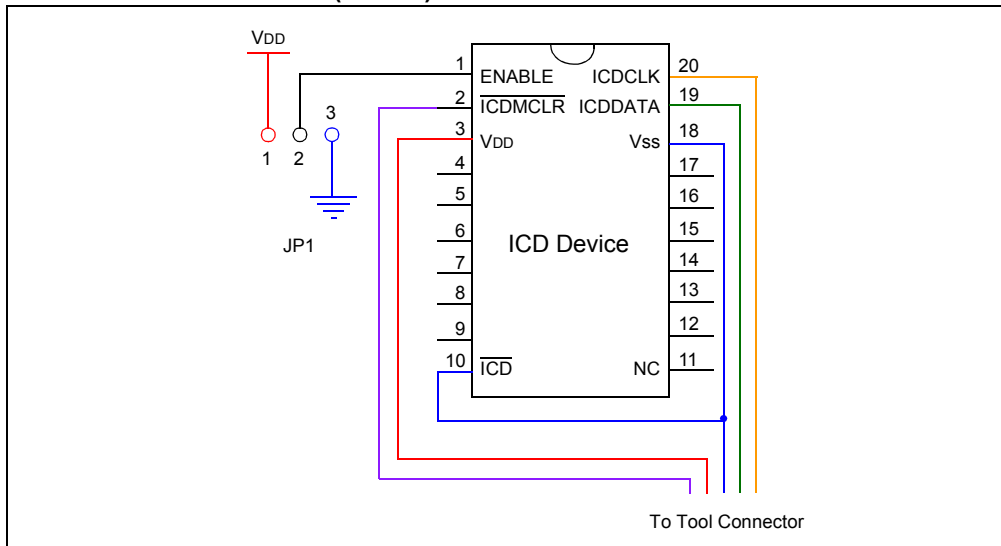
The following schematics show header electrical connections.

FIGURE 2: AC162050, AC162058 (8-PIN)



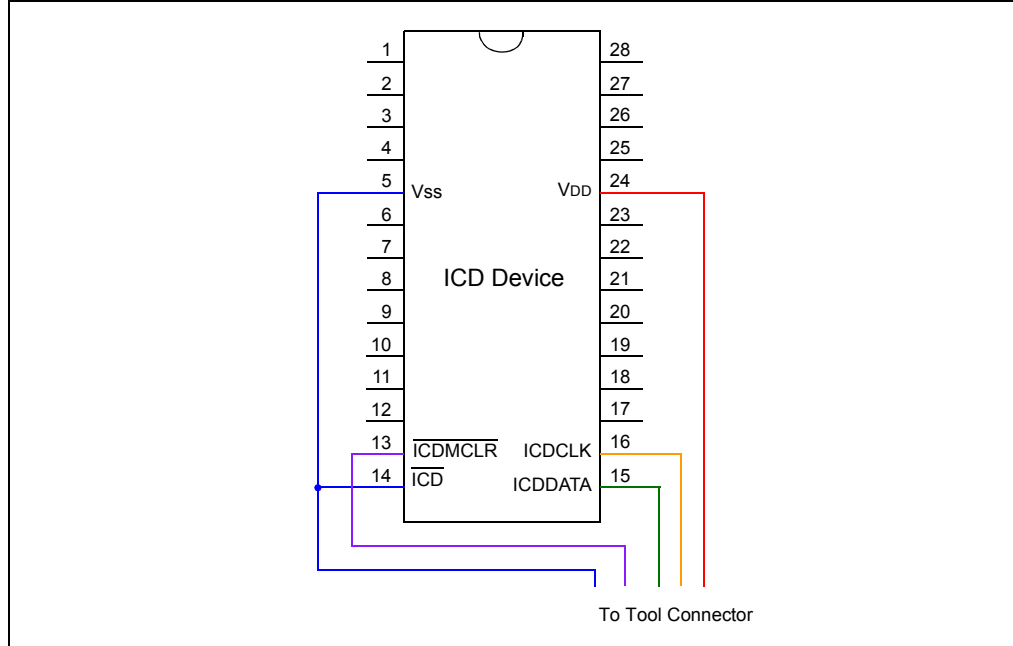
VDD:Red, Vss:Blue, ICDCLK:Yellow, ICDDATA:Green, ICDMCLR:Purple

FIGURE 3: AC162052, AC162055, AC162056, AC162057, AC162059, AC162070 (14-PIN)



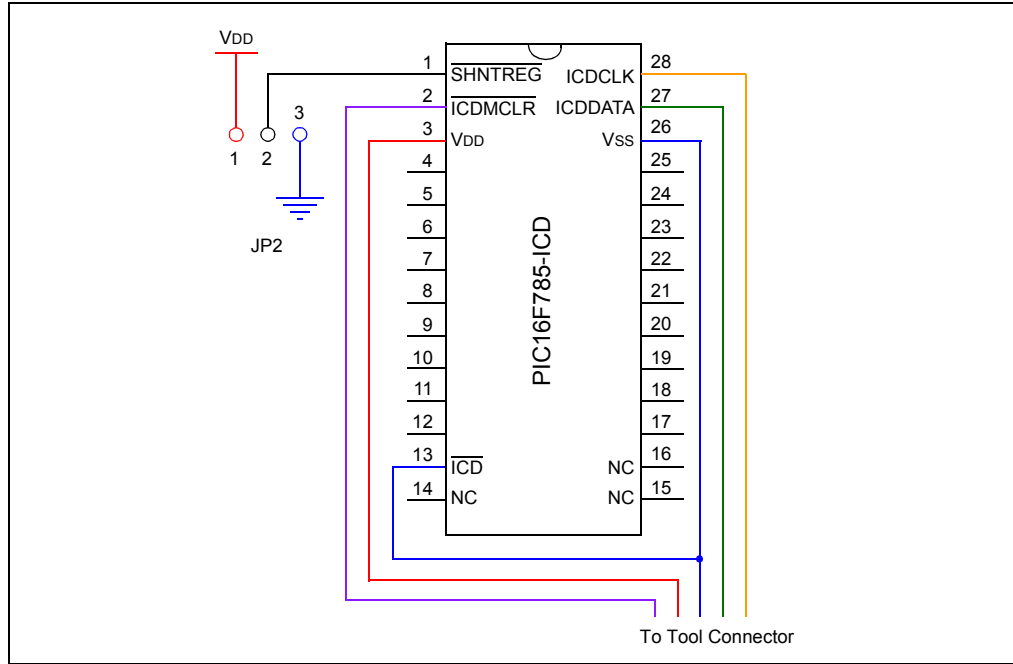
VDD:Red, Vss:Blue, ICDCLK:Yellow, ICDDATA:Green, ICDMCLR:Purple

FIGURE 4: AC162053, AC162054 (18-PIN)



VDD:Red, Vss:Blue, ICDCLK:Yellow, ICDDATA:Green, ICDMCLR:Purple

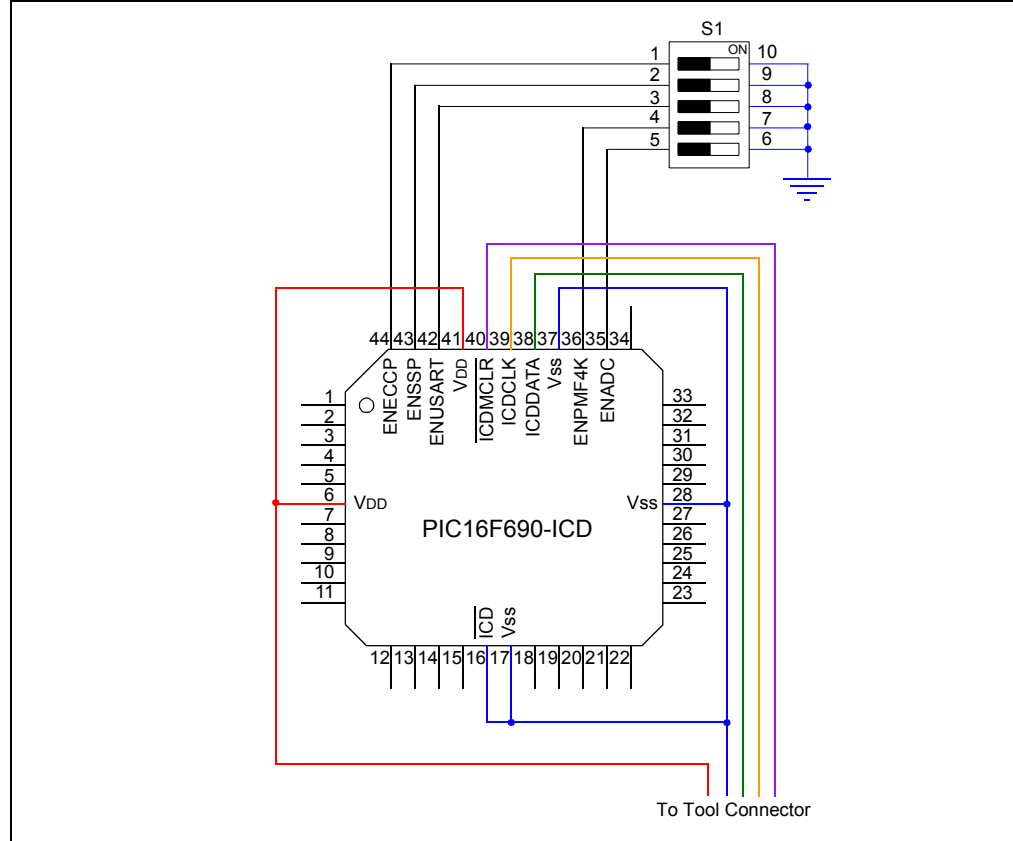
FIGURE 5: AC162060 (20-PIN)



VDD:Red, Vss:Blue, ICDCLK:Yellow, ICDDATA:Green, ICDMCLR:Purple

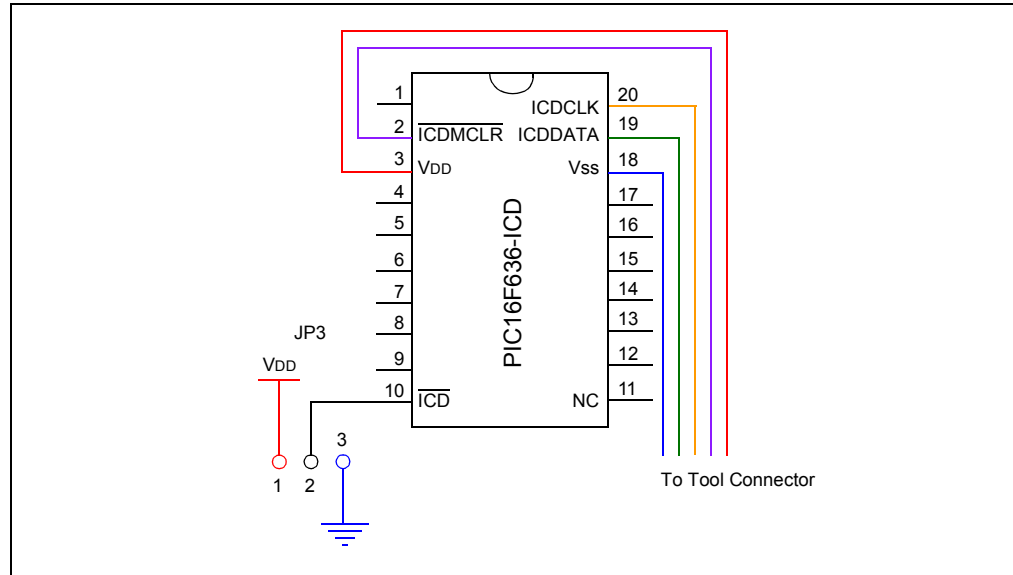
Headers for ICD Devices

FIGURE 6: AC162061 (20-PIN)



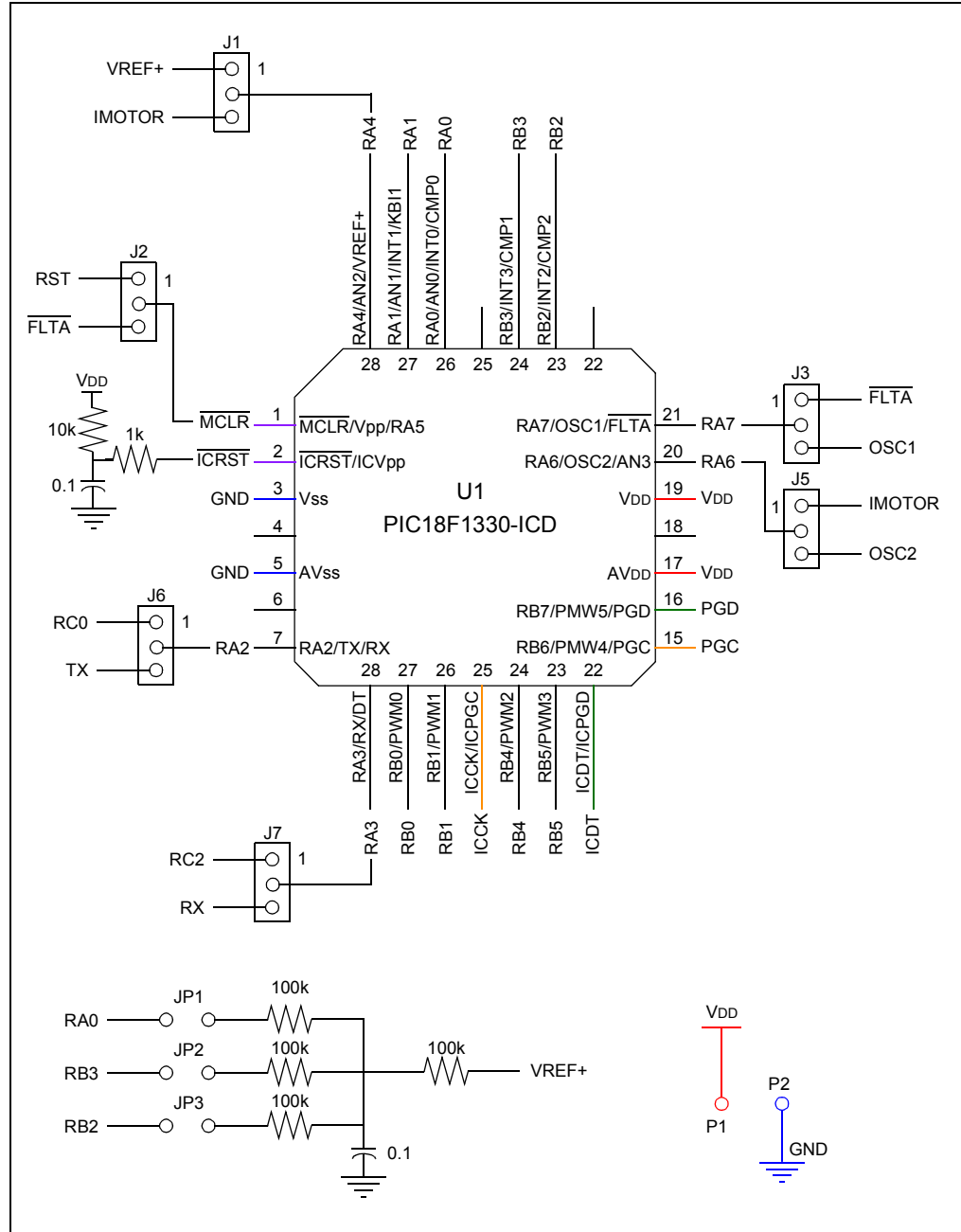
VDD:Red, VSS:Blue, ICDCLK:Yellow, ICDDATA:Green, ICDMCLR:Purple

FIGURE 7: AC162066 (20-PIN)



VDD:Red, VSS:Blue, ICDCLK:Yellow, ICDDATA:Green, ICDMCLR:Purple

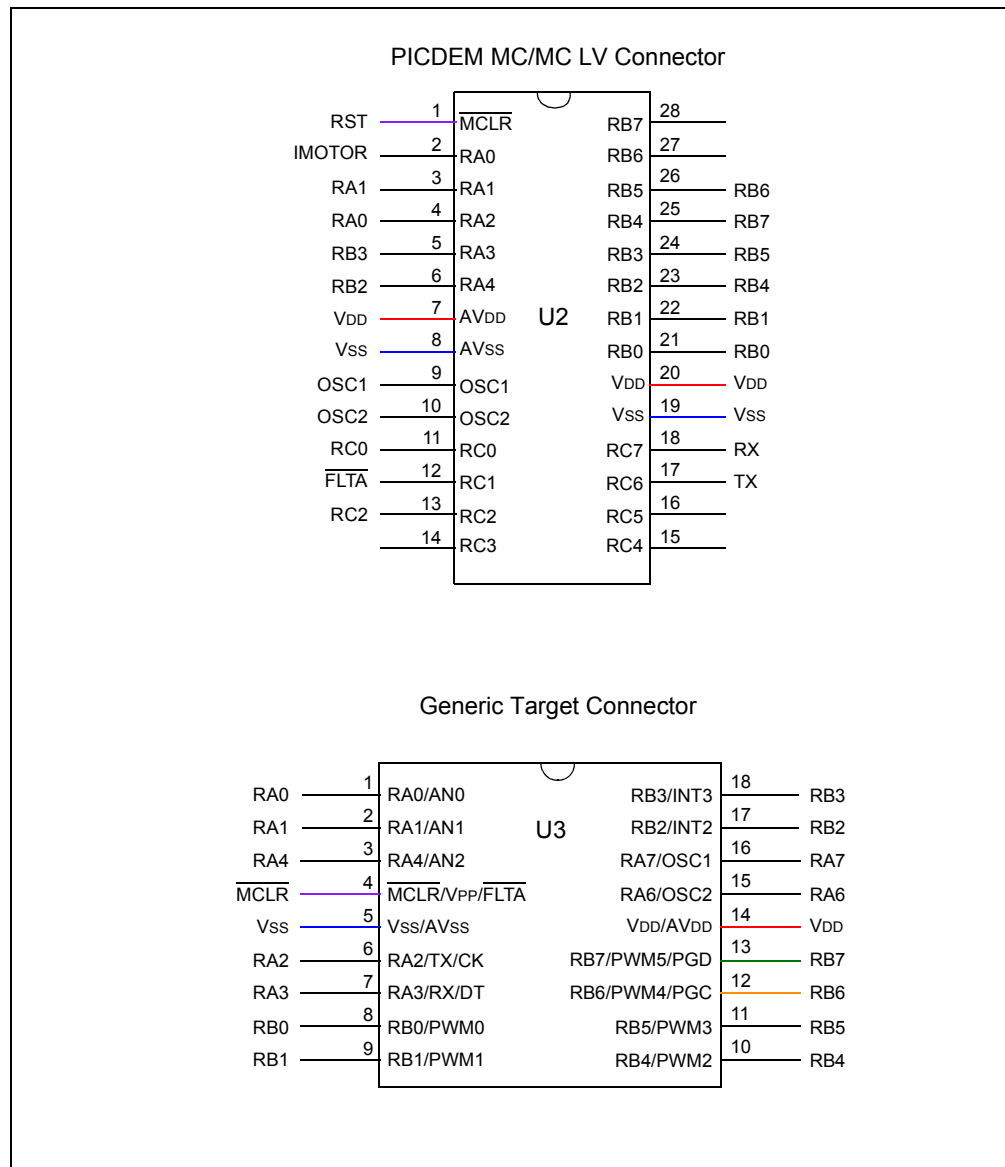
FIGURE 8: AC162078 – PART 1



VDD/AVDD:Red, VSS/AVSS:Blue, ICCK:Yellow, ICDT:Green, ICRST:Purple

Headers for ICD Devices

FIGURE 9: AC162078 – PART 2



VDD/AVDD:Red, VSS/AVSS:Blue, ICCK:Yellow, IC DT:Green, IC RST:Purple

Headers for ICE Devices

INTRODUCTION

Devices that have built-in emulator circuitry do not require a header to use the MPLAB[®] REAL ICE[™] in-circuit emulator. However, some pins and memory must be used to support the ICE function. Special ICE versions offering additional pins, memory and emulator functions can be used to provide superior debugging/emulating capabilities.

Currently-available headers and their associated ICE devices/supported devices are shown below.

TABLE 1: HEADER TYPES – ICE DEVICES

Device	Header Part Number	ICE Device Used	Pin Count	V _{DD} Max
PIC18F24J10 PIC18F25J10	AC162067	PIC18F45J10-ICE	28/40	3.6V
PIC18LF24J10 PIC18LF25J10				3.6V ⁽¹⁾
PIC18F44J10 PIC18F45J10				3.6V
PIC18LF44J10 PIC18LF45J10				3.6V ⁽¹⁾
PIC18F44J10 PIC18F45J10	AC162074	PIC18F45J10-ICE	44	3.6V
PIC18LF44J10 PIC18LF45J10				3.6V ⁽¹⁾
PIC18F65J10 PIC18F65J15 PIC18F66J10 PIC18F66J15 PIC18F67J10	AC162062	PIC18F87J10-ICE	64/80	3.6V
PIC18F85J10 PIC18F85J15 PIC18F86J10 PIC18F86J15 PIC18F87J10				
PIC18F66J60 PIC18F66J65 PIC18F67J60	AC162064	PIC18F97J60-ICE	64/80/100	3.6V
PIC18F86J60 PIC18F86J65 PIC18F87J60				
PIC18F96J60 PIC18F96J65 PIC18F97J60				

(1) LF devices require two voltages, where V_{DD} Max = 3.6V and V_{DD}core Max = 2.75V

Headers for ICE Devices

ICE HEADER SETUP

From the table in the previous section, determine the appropriate header for your device.

AC162067, AC162074

For these header, you will need to connect jumpers J2 and J3 to select between the LF and F versions of devices.

Device	Device Type	Jumper J2	Jumper J3	Function
PIC18LFXXJ10	LF	1-2	1-2	Disable voltage regulator*
PIC18FXXJ10	F	2-3	2-3	Enable voltage regulator

* VDDcore must be supplied externally.

AC162062

For this header, there are no jumpers/switches. MPLAB IDE will use its selected device to choose the correct device to emulate.

Test points are available on this header to check the following: VDD, VDDcore and ground.

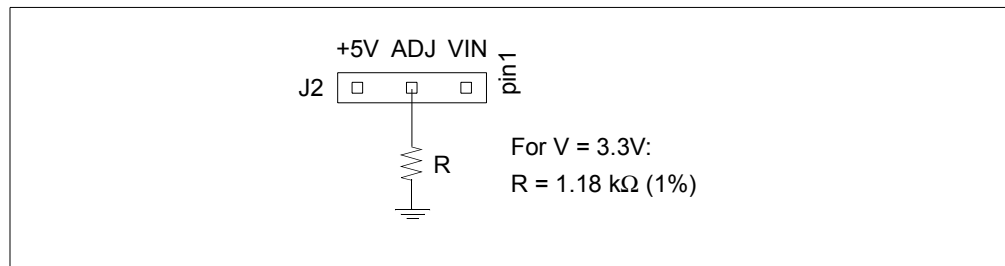
CAUTION

This header cannot be plugged directly into the PICDEM™ HPC Explorer Board or device damage will result.

The PICDEM™ HPC Explorer Board is 5V, whereas the ICD device on the header is 3.6V max. Therefore, modification to the demo board is necessary before the header can be used.

1. Switch S3 should be set to ICE.
2. Jumper J2 must be connected as shown in Figure 1 to modify the operating voltage. See demo board documentation for more information.

FIGURE 1: DEMO BOARD J2 CONNECTIONS



AC162064

For this header, there are no jumpers/switches. MPLAB IDE will use its selected device to choose the correct device to emulate.

Test points are available on this header to check the following: VDD, VDDcore and ground.

ICE HEADER DIMENSIONS

The table below lists the dimensions for each ICE header board. Dimensions are design values in inches.

TABLE 2: HEADER DIMENSIONS

Header Part Number	Length	Width	Height
AC162062	2.325	1.800	0.540
AC162064	2.250	1.750	0.540
AC162067	2.300	1.800	0.540
AC162074	1.800	1.350	0.540

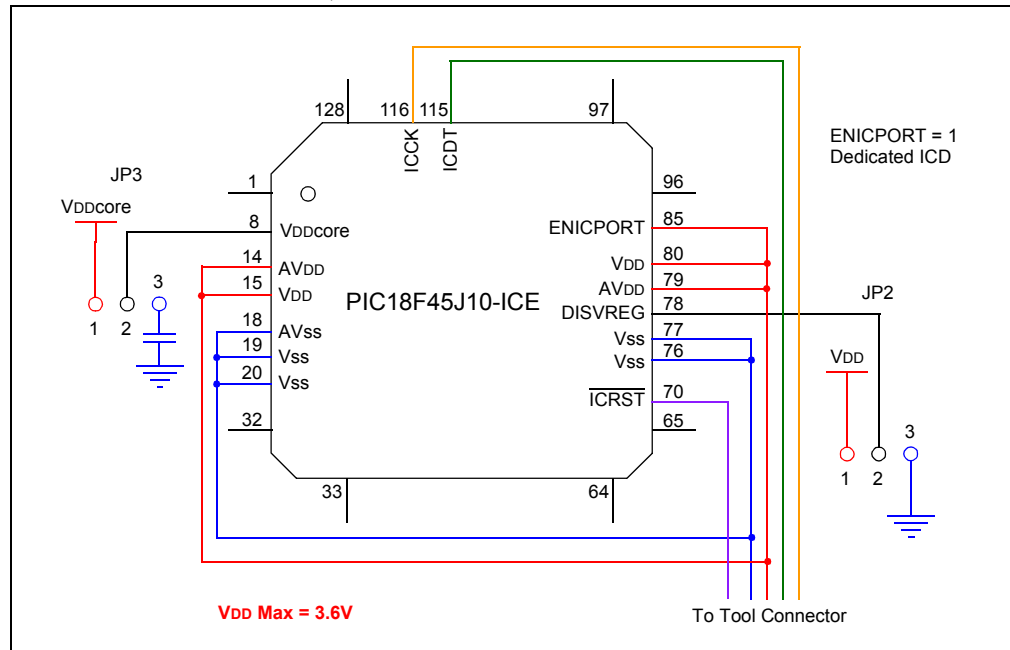
If the length and/or width of the header board is too large a footprint for the target board, consider using stand-offs, transition sockets or other extenders in the header connection socket to raise the header above the target.

Headers for ICE Devices

ICE HEADER SCHEMATICS

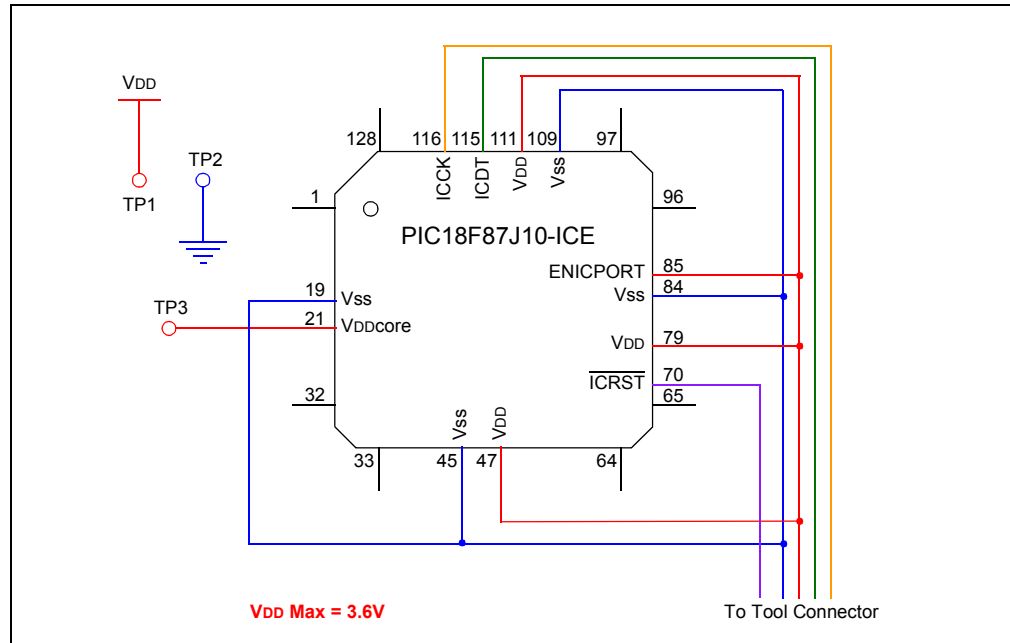
The following schematics show header electrical connections.

FIGURE 2: AC162067, AC162074



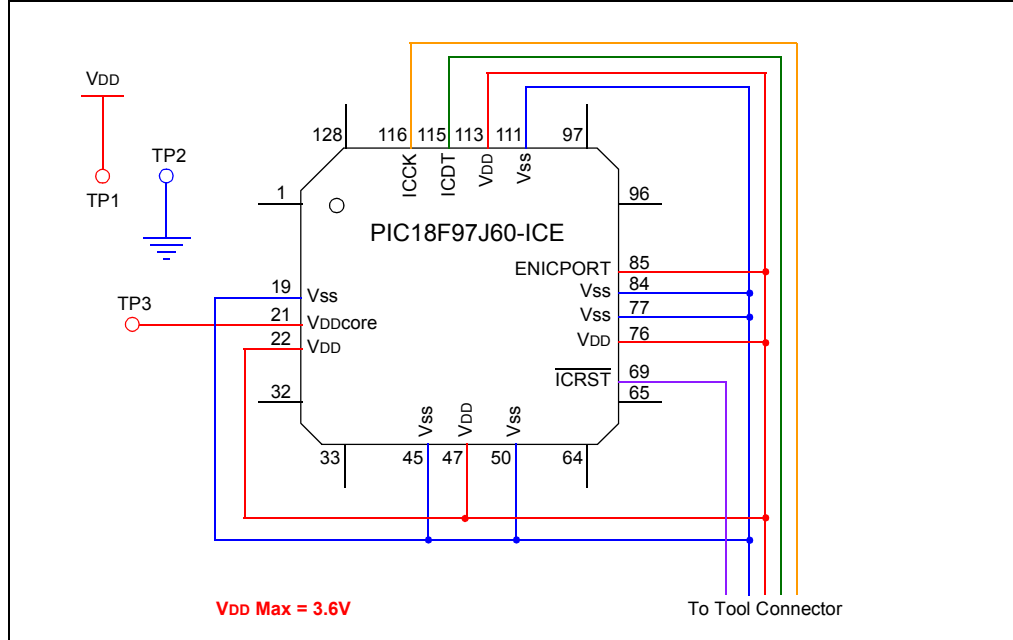
VDD/AVDD:Red, Vss/AVss:Blue, ICCK:Yellow, ICDT:Green, ICRST:Purple

FIGURE 3: AC162062



VDD/VDDcore:Red, Vss:Blue, ICCK:Yellow, ICDT:Green, ICRST:Purple

FIGURE 4: AC162064



VDD/VDDcore:Red, VSS:Blue, ICCK:Yellow, ICDT:Green, ICRST:Purple

Headers for ICE Devices

NOTES:

APPENDIX A: REVISION HISTORY

A.1 Revision N (March 2007)

- Added Appendix A: Revision History
- Updated document to reflect support of additional tools
- Additional minor corrections throughout document text

Header Board Specification

NOTES:

Index

A		PIC16F630	5, 6
AC162050	5, 6, 9, 10	PIC16F631	5, 7
AC162052	5, 6, 9, 10	PIC16F636	5, 6
AC162053	5, 6, 9, 11	PIC16F639	5, 7
AC162054	6, 9, 11	PIC16F648A	5, 6
AC162055	5, 6, 9, 10	PIC16F676	5, 6
AC162056	5, 6, 9, 10	PIC16F677	5, 7
AC162057	5, 6, 9, 10	PIC16F684	5, 6
AC162058	5, 6, 9, 10	PIC16F685	5, 7
AC162059	5, 6, 9, 10	PIC16F687	5, 7
AC162060	6, 7, 9, 11	PIC16F688	5, 6
AC162061	5, 7, 9, 12	PIC16F689	5, 7
AC162062	15, 17, 18	PIC16F690	5, 7
AC162064	15, 16, 17, 19	PIC16F716	6
AC162066	5, 7, 9, 12	PIC16F785	6, 7
AC162067	15, 16, 17, 18	PIC16HV785	6, 7
AC162070	5, 6, 9, 10	PIC18F1230	6, 8
AC162074	15, 16, 17, 18	PIC18F1330	6, 8
AC162078	6, 8, 9, 13	PIC18F24J10	15
Additional Information	3	PIC18F25J10	15, 16
C		PIC18F44J10	15
Calibration Bits	2	PIC18F45J10	15, 16
Connect the Header and MPLAB ICD 2	2	PIC18F65J10	15
Connection, Module to Header	1	PIC18F65J15	15
J		PIC18F66J10	15
Jumper Settings	6, 7, 16	PIC18F66J15	15
M		PIC18F66J60	15
MPLAB ICE 2000	7	PIC18F66J65	15
P		PIC18F67J10	15
PCM16YM0	7	PIC18F67J60	15
Performance	2	PIC18F85J10	15
PIC10F200	5	PIC18F85J15	15
PIC10F202	5	PIC18F86J10	15
PIC10F204	5	PIC18F86J15	15
PIC10F206	5	PIC18F86J60	15
PIC10F220	5	PIC18F86J65	15
PIC10F222	5	PIC18F87J10	15
PIC12F508	5	PIC18F87J60	15
PIC12F509	5	PIC18F96J60	15
PIC12F510	5	PIC18F96J65	15
PIC12F629	5, 6	PIC18F97J60	15
PIC12F635	5, 6	PIC18LF24J10	15
PIC12F675	5, 6	PIC18LF25J10	15, 16
PIC12F683	5, 6	PIC18LF44J10	15
PIC16F505	5	PIC18LF45J10	15, 16
PIC16F506	5	PICDEM HPC Explorer Board	16
PIC16F627A	5, 6	Programming Non-ICD Devices	2
PIC16F628A	5, 6		

Header Board Specification

S

Schematics

14-Pin.....	10
18/20/28-Pin.....	13
18-Pin.....	11
20-Pin.....	11, 12
28/40/44-Pin.....	18
64/80/100-Pin.....	19
64/80-Pin.....	18
8-Pin.....	10
Set Up the Header Board	2
Switch Settings.....	7

T

Transition Socket	2
-------------------------	---

V

VDD Max

2.75V.....	15
3.6V.....	15
5.5V.....	5

Note the following details of the code protection feature on Microchip devices:

- Microchip products meet the specification contained in their particular Microchip Data Sheet.
- Microchip believes that its family of products is one of the most secure families of its kind on the market today, when used in the intended manner and under normal conditions.
- There are dishonest and possibly illegal methods used to breach the code protection feature. All of these methods, to our knowledge, require using the Microchip products in a manner outside the operating specifications contained in Microchip's Data Sheets. Most likely, the person doing so is engaged in theft of intellectual property.
- Microchip is willing to work with the customer who is concerned about the integrity of their code.
- Neither Microchip nor any other semiconductor manufacturer can guarantee the security of their code. Code protection does not mean that we are guaranteeing the product as "unbreakable."

Code protection is constantly evolving. We at Microchip are committed to continuously improving the code protection features of our products. Attempts to break Microchip's code protection feature may be a violation of the Digital Millennium Copyright Act. If such acts allow unauthorized access to your software or other copyrighted work, you may have a right to sue for relief under that Act.

Information contained in this publication regarding device applications and the like is provided only for your convenience and may be superseded by updates. It is your responsibility to ensure that your application meets with your specifications. MICROCHIP MAKES NO REPRESENTATIONS OR WARRANTIES OF ANY KIND WHETHER EXPRESS OR IMPLIED, WRITTEN OR ORAL, STATUTORY OR OTHERWISE, RELATED TO THE INFORMATION, INCLUDING BUT NOT LIMITED TO ITS CONDITION, QUALITY, PERFORMANCE, MERCHANTABILITY OR FITNESS FOR PURPOSE. Microchip disclaims all liability arising from this information and its use. Use of Microchip devices in life support and/or safety applications is entirely at the buyer's risk, and the buyer agrees to defend, indemnify and hold harmless Microchip from any and all damages, claims, suits, or expenses resulting from such use. No licenses are conveyed, implicitly or otherwise, under any Microchip intellectual property rights.

Trademarks

The Microchip name and logo, the Microchip logo, Accuron, dsPIC, KEELOQ, KEELOQ logo, microID, MPLAB, PIC, PICmicro, PICSTART, PRO MATE, PowerSmart, rPIC, and SmartShunt are registered trademarks of Microchip Technology Incorporated in the U.S.A. and other countries.


AmpLab, FilterLab, Linear Active Thermistor, Migratable Memory, MXDEV, MXLAB, PS logo, SEEVAL, SmartSensor and The Embedded Control Solutions Company are registered trademarks of Microchip Technology Incorporated in the U.S.A.

Analog-for-the-Digital Age, Application Maestro, CodeGuard, dsPICDEM, dsPICDEM.net, dsPICworks, ECAN, ECONOMONITOR, FanSense, FlexROM, fuzzzyLAB, In-Circuit Serial Programming, ICSP, ICEPIC, Mindi, MiWi, MPASM, MPLAB Certified logo, MPLIB, MPLINK, PICkit, PICDEM, PICDEM.net, PICLAB, PICtail, PowerCal, PowerInfo, PowerMate, PowerTool, REAL ICE, rLAB, rfPICDEM, Select Mode, Smart Serial, SmartTel, Total Endurance, UNI/O, WiperLock and ZENA are trademarks of Microchip Technology Incorporated in the U.S.A. and other countries.

SQTP is a service mark of Microchip Technology Incorporated in the U.S.A.

All other trademarks mentioned herein are property of their respective companies.

© 2007, Microchip Technology Incorporated, Printed in the U.S.A., All Rights Reserved.

 Printed on recycled paper.

Microchip received ISO/TS-16949:2002 certification for its worldwide headquarters, design and wafer fabrication facilities in Chandler and Tempe, Arizona, Gresham, Oregon and Mountain View, California. The Company's quality system processes and procedures are for its PIC[®] MCUs and dsPIC[®] DSCs, KEELOQ[®] code hopping devices, Serial EEPROMs, microperipherals, nonvolatile memory and analog products. In addition, Microchip's quality system for the design and manufacture of development systems is ISO 9001:2000 certified.

**QUALITY MANAGEMENT SYSTEM
CERTIFIED BY DNV
== ISO/TS 16949:2002 ==**



WORLDWIDE SALES AND SERVICE

AMERICAS

Corporate Office
2355 West Chandler Blvd.
Chandler, AZ 85224-6199
Tel: 480-792-7200
Fax: 480-792-7277
Technical Support:
<http://support.microchip.com>
Web Address:
www.microchip.com

Atlanta
Duluth, GA
Tel: 678-957-9614
Fax: 678-957-1455

Boston
Westborough, MA
Tel: 774-760-0087
Fax: 774-760-0088

Chicago
Itasca, IL
Tel: 630-285-0071
Fax: 630-285-0075

Dallas
Addison, TX
Tel: 972-818-7423
Fax: 972-818-2924

Detroit
Farmington Hills, MI
Tel: 248-538-2250
Fax: 248-538-2260

Kokomo
Kokomo, IN
Tel: 765-864-8360
Fax: 765-864-8387

Los Angeles
Mission Viejo, CA
Tel: 949-462-9523
Fax: 949-462-9608

Santa Clara
Santa Clara, CA
Tel: 408-961-6444
Fax: 408-961-6445

Toronto
Mississauga, Ontario,
Canada
Tel: 905-673-0699
Fax: 905-673-6509

ASIA/PACIFIC

Asia Pacific Office
Suites 3707-14, 37th Floor
Tower 6, The Gateway
Harbour City, Kowloon
Hong Kong
Tel: 852-2401-1200
Fax: 852-2401-3431

Australia - Sydney
Tel: 61-2-9868-6733
Fax: 61-2-9868-6755

China - Beijing
Tel: 86-10-8528-2100
Fax: 86-10-8528-2104

China - Chengdu
Tel: 86-28-8665-5511
Fax: 86-28-8665-7889

China - Fuzhou
Tel: 86-591-8750-3506
Fax: 86-591-8750-3521

China - Hong Kong SAR
Tel: 852-2401-1200
Fax: 852-2401-3431

China - Qingdao
Tel: 86-532-8502-7355
Fax: 86-532-8502-7205

China - Shanghai
Tel: 86-21-5407-5533
Fax: 86-21-5407-5066

China - Shenyang
Tel: 86-24-2334-2829
Fax: 86-24-2334-2393

China - Shenzhen
Tel: 86-755-8203-2660
Fax: 86-755-8203-1760

China - Shunde
Tel: 86-757-2839-5507
Fax: 86-757-2839-5571

China - Wuhan
Tel: 86-27-5980-5300
Fax: 86-27-5980-5118

China - Xian
Tel: 86-29-8833-7250
Fax: 86-29-8833-7256

ASIA/PACIFIC

India - Bangalore
Tel: 91-80-4182-8400
Fax: 91-80-4182-8422

India - New Delhi
Tel: 91-11-4160-8631
Fax: 91-11-4160-8632

India - Pune
Tel: 91-20-2566-1512
Fax: 91-20-2566-1513

Japan - Yokohama
Tel: 81-45-471- 6166
Fax: 81-45-471-6122

Korea - Gumi
Tel: 82-54-473-4301
Fax: 82-54-473-4302

Korea - Seoul
Tel: 82-2-554-7200
Fax: 82-2-558-5932 or
82-2-558-5934

Malaysia - Penang
Tel: 60-4-646-8870
Fax: 60-4-646-5086

Philippines - Manila
Tel: 63-2-634-9065
Fax: 63-2-634-9069

Singapore
Tel: 65-6334-8870
Fax: 65-6334-8850

Taiwan - Hsin Chu
Tel: 886-3-572-9526
Fax: 886-3-572-6459

Taiwan - Kaohsiung
Tel: 886-7-536-4818
Fax: 886-7-536-4803

Taiwan - Taipei
Tel: 886-2-2500-6610
Fax: 886-2-2508-0102

Thailand - Bangkok
Tel: 66-2-694-1351
Fax: 66-2-694-1350

EUROPE

Austria - Wels
Tel: 43-7242-2244-39
Fax: 43-7242-2244-393

Denmark - Copenhagen
Tel: 45-4450-2828
Fax: 45-4485-2829

France - Paris
Tel: 33-1-69-53-63-20
Fax: 33-1-69-30-90-79

Germany - Munich
Tel: 49-89-627-144-0
Fax: 49-89-627-144-44

Italy - Milan
Tel: 39-0331-742611
Fax: 39-0331-466781

Netherlands - Drunen
Tel: 31-416-690399
Fax: 31-416-690340

Spain - Madrid
Tel: 34-91-708-08-90
Fax: 34-91-708-08-91

UK - Wokingham
Tel: 44-118-921-5869
Fax: 44-118-921-5820

12/08/06

X-ON Electronics

Largest Supplier of Electrical and Electronic Components

Click to view similar products for [Hardware Debuggers](#) category:

Click to view products by [Microchip](#) manufacturer:

Other Similar products are found below :

[IJET-RISCV](#) [410-251](#) [1550](#) [AC244028](#) [AC244045](#) [DV164045](#) [AC244036](#) [DB40](#) [LPC_DEBUG_2](#) [ATATMEL-ICE](#) [ATATMEL-ICE-BASIC](#) [ATAVRONEKIT](#) [76002055](#) [IJET](#) [AC162051](#) [AC162062](#) [AC162064](#) [AC162074](#) [AC162078](#) [AC162079](#) [AC162087](#) [AC162088](#) [AC244024](#) [AC244027](#) [AC244034](#) [AC244035](#) [AC244043](#) [AC244044](#) [AC244047](#) [AC244048](#) [AC244051](#) [AC244054](#) [AC320202](#) [DV164131](#) [DV164232](#) [PG164100](#) [ARM-USB-OCD-H](#) [ARM-USB-TINY-H](#) [32115](#) [ACC-DEBUG](#) [114991786](#) [8.07.10](#) [8.08.28](#) [8.18.00](#) [8.19.00](#) [8.19.28](#) [8.20.00](#) [U2D-ATOM-24](#) [AC244023](#) [2209](#)