

Board Configurations

In the SC PICtail Daughter Board, only one jumper location is available. This jumper is useful only when the SC PICtail Daughter Board is used along with the Explorer 16 Board.

Jumper	Position	Function
JP1	Pin (SRC1-CLK)	Clock to the Smart card/SIM card is fed from RD1
	Pin (SRC2-CLK)	Clock to the Smart card/SIM card is fed from RB15

Firmware

The latest Smart card software library, CCID demo, Smart card communication demo, Help files and Getting Started document are released as part of the "Microchip Applications Libraries" which can be downloaded from <http://www.microchip.com/mal>.

References

- ISO 7816-3 specifications available by license
- www.microchip.com

Americas

Atlanta - 678-957-9614
Boston - 774-760-0087
Chicago - 630-285-0071
Cleveland - 216-447-0464
Dallas - 972-818-7423
Detroit - 248-538-2250
Noblesville - 317-773-8323
Los Angeles - 949-462-9523
Phoenix - 480-792-7200
Santa Clara - 408-961-6444
Toronto - 905-673-0699

Europe

Austria - Weis - 43-7242-2244-39
Denmark - Copenhagen - 45-4450-2828
France - Paris - 33-1-69-53-63-20
Germany - Munich - 49-89-627-144-0
Italy - Milan - 39-0331-742611
Netherlands - Drunen - 31-416-690399
Spain - Madrid - 34-91-708-08-90
UK - Wokingham - 44-118-921-5869

Asia/Pacific

Australia - Sydney - 61-2-9868-6733
China - Beijing - 86-10-8528-2100
China - Chengdu - 86-28-8665-5511
China - Chongqing - 86-23-8980-9588
China - Hong Kong SAR - 852-2401-1200
China - Nanjing - 86-25-8473-2460
China - Qingdao - 86-532-8502-7355
China - Shanghai - 86-21-5407-5533
China - Shenyang - 86-24-2334-2829
China - Shenzhen - 86-755-8203-2660
China - Wuhan - 86-27-5980-5300
China - Xiamen - 86-592-2388138
China - Xian - 86-29-8833-7252
China - Zhuhai - 86-756-3210040
India - Bangalore - 91-80-3090-4444
India - New Delhi - 91-11-4160-8631
India - Pune - 91-20-2566-1512
Japan - Yokohama - 81-45-471-6166
Korea - Daegu - 82-53-744-4301
Korea - Seoul - 82-2-554-7200
Malaysia - Kuala Lumpur - 60-3-6201-9857
Malaysia - Penang - 60-4-227-8870
Philippines - Manila - 63-2-634-9065
Singapore - 65-6334-8870
Taiwan - Hsin Chu - 886-3-6578-300
Taiwan - Kaohsiung - 886-7-213-7830
Taiwan - Taipei - 886-2-2500-6610
Thailand - Bangkok - 66-2-694-1351

02/18/11



Microchip Technology Inc. • 2355 West Chandler Blvd. • Chandler, AZ 85224-6199

www.microchip.com

The Microchip name and logo, the Microchip logo, and MPLAB are registered trademarks of Microchip Technology Incorporated in the U.S.A. and other countries. All other trademarks mentioned herein are property of their respective companies.

© 2011, Microchip Technology Incorporated, Printed in the U.S.A. All Rights Reserved. 03/11

DS51958A

Smart Card/SIM Card (SC) PICtail™ Daughter Board

The SC PICtail™ Daughter Board is an expansion board used for evaluating, reading and writing data on Smart cards and SIM cards.

Features

- Supports a wide range of Smart cards and SIM cards
- Operates on a wide range of voltages from 3.3V-5.0V DC
- Includes PICtail Daughter Board and PICtail Plus Board connection interfaces
- Compatible with boards like Explorer 16 Development Board and PICDEM™ FS USB Demo Board

Getting Started

To get started, a compatible PICDEM™ demonstration board is required. In general, a board is compatible if it has a PICtail Daughter Board interface expansion port or a PICtail Plus Board interface expansion port. When connecting the SC PICtail Daughter Board to a board with the PICtail Plus connector, like the Explorer 16 Development Board, the connector should be inserted in the first slot of the demonstration board (aligned with Pin #1) to communicate using the UART1 module.

Signal Interface

Each of the Smart card signals have an outbound pin on the SC PICtail Daughter Board to check the signal status during the application development life cycle. Apart from this, if the user wants to connect the Smart card signals to different port pins of the microcontroller, then the signal wires can be directly connected from the microcontroller to the appropriate outbound pins on the SC PICtail Daughter Board.

TABLE 1:

Signals	I/O	Explorer 16 Board (J5 Port Connector)	Pin (PICtail™ Plus)	Description
SMART_VCC	O	RB9 (Pin 44)	RB0,RC0 (Pin 27, Pin 20)	Power supply to the Smart card/SIM card
SMART_RST	O	RE8 (Pin 18)	RB4,RC1 (Pin 19, Pin 22)	Reset signal to the Smart card/SIM card
SMART_CLK	O	RB15,RD1 (Pin 84, Pin 94)	RB2,RC2 (Pin 23, Pin 24)	Clock input to the Smart card/SIM card
SMART_CARD_DET	I	RB0 (Pin 11)	RB3 (Pin 21)	Smart card insertion detect signal
SIM_CARD_DET	I	RB1 (Pin 12)	RB1(Pin 25)	SIM card insertion detect signal
SMART_I/O	I/O	UART1_RX,UART1_TX (Pin 2, Pin 4)	RC6,RC7 (Pin 9, Pin 11)	Serial input and output data line (half-duplex)

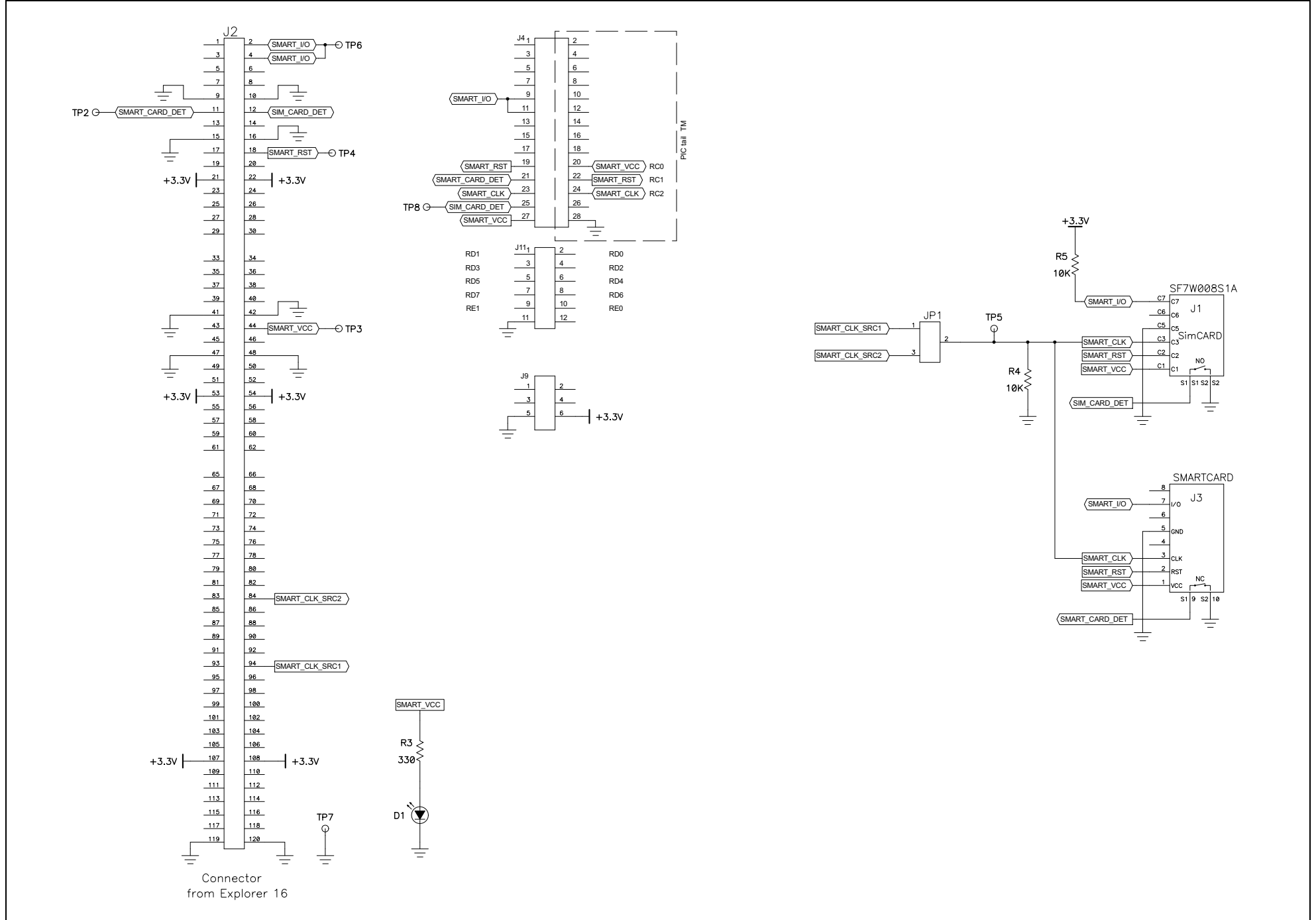
Other Information

The SC PICtail Daughter Board consists of two slots; one to insert the Smart card and the other to insert the SIM card. The SIM card and Smart card slots are connected in pin-to-pin parallel format. Therefore, for proper communication between the interfacing device and the card, either the Smart card or the SIM card has to be inserted in the SC PICtail board but not both.

Note: The board interfacing the SC PICtail Daughter Board should be able to provide the sufficient current and voltages as per the electrical specifications of the Smart card chip inserted in the slot. Therefore, the microcontroller interfacing the SC PICtail Daughter Board has to be chosen depending upon the specific application and the operating voltage requirement of the Smart card. If the microcontroller cannot support sufficient current and voltage required for the Smart card, then an external hardware circuitry has to be used to provide the current and voltage.

Smart Card/SIM Card (SC) PICtail™ Daughter Board

Board Schematic



X-ON Electronics

Largest Supplier of Electrical and Electronic Components

Click to view similar products for [Daughter Cards & OEM Boards](#) category:

Click to view products by [Microchip](#) manufacturer:

Other Similar products are found below :

[ADZS-21262-1-EZEXT](#) [27911](#) [SPC56ELADPT144S](#) [TMDXRM46CNCD](#) [DM160216](#) [EV-ADUCM350GPIOHZ](#) [EV-ADUCM350-BIO3Z](#)
[ATSTK521](#) [1130](#) [MA160015](#) [MA180033](#) [MA240013](#) [MA240026](#) [MA320014](#) [MA330014](#) [MA330017](#) [TLK10034SMAEVM](#) [MIKROE-](#)
[2152](#) [MIKROE-2154](#) [MIKROE-2381](#) [TSSOP20EV](#) [DEV-11723](#) [MIKROE-1108](#) [MIKROE-1516](#) [SPS-READER-GEVK](#) [AC244049](#)
[AC244050](#) [AC320004-3](#) [2077](#) [ATSMARTCARD-XPRO](#) [EIC - Q600 -230](#) [ATZB-212B-XPRO](#) [SPC560PADPT100S](#) [SPC560BADPT64S](#)
[MA180018](#) [EIC - Q600 -220](#) [AC164134-1](#) [BOB-12035](#) [STM8/128-D/RAIS](#) [AC164127-6](#) [AC164127-4](#) [AC164134-3](#) [AC164156](#) [MA320021](#)
[MA320024](#) [DFR0285](#) [DFR0312](#) [DFR0356](#) [MA320023](#) [MIKROE-2564](#)