

## MRF24WN0MA PICtail™/PICtail Plus Daughter Board Information Sheet

### Overview

The MRF24WN0MA PICtail/PICtail Plus Daughter Board is a development and demonstration board for evaluating Wi-Fi® connectivity using PIC® microcontrollers and the MRF24WN0MA module.

### Features

- MRF24WN0MA Wi-Fi module with 802.11n connectivity
- Daughter board supports PICtail and PICtail Plus connectors.

### Getting Started

To get started, an Explorer 16 or PIC32 Starter Kit with PIC32 I/O Expansion board can be used. Alternatively, PIC32 MEB2 board can be used. Please make sure to select the PIC32 with sufficient flash and RAM memory to be able to run the TCP/IP stack and your application. With the appropriate hardware available, download Microchip TCP/IP Stack and follow the Getting Started chapter of the TCP/IP Stack Help.

### TCP/IP Stack and Firmware

The Microchip TCP/IP stack and other firmware examples can be downloaded with the MPLAB® Harmony framework at [www.microchip.com/harmony](http://www.microchip.com/harmony). Support for the MRF24WN0MA PICtail/PICtail Plus Daughter Board is in the TCP/IP Stack version 1.06 and later. After installation, a link to the TCP/IP Stack Help is available in the Start Menu.

**TABLE 1: SIGNAL INTERFACE**

Function	I/O	PICtail™ Pin	PICtail Plus Pin	Description
SPI_CS/MODE	I	RC2/24	RB2/1	SPI Chip Select
SPI_CLK	I	RC3/12	RF6/3	SPI Clock
SPI_MISO	O	RC4/10	RF7/5	SPI Data Out from MRF24WN0MA
SPI_MOSI	I	RC5/8	RD0/7	SPI Data In to MRF24WN0MA
SPI_INT	O	RB0/27	RE8/18	Open Drain Interrupt Signal to Microcontroller
HIBERNATE	I	RB2/23	RF1/30	Hibernate Signal to MRF24WN0MA

### Wireless Router Configuration

The Microchip TCP/IP stack examples are written to interface to a wireless router with the following configuration:

SSID: MicrochipDemoAP

Channel: 1, 6, or 11

Security: Disabled

This configuration can be changed by use of MPLAB Harmony Configurator (MHC).

#### Americas

Atlanta, GA - 678-957-9614  
 Austin, TX - 512-257-3370  
 Boston, MA - 774-760-0087  
 Chicago, IL - 630-285-0071  
 Cleveland, OH - 216-447-0464  
 Dallas, TX - 972-818-7423  
 Detroit, MI - 248-848-4000  
 Houston, TX - 281-894-5983  
 Indianapolis, IN - 317-773-8323  
 Los Angeles, CA - 949-462-9523  
 New York, NY - 631-435-6000  
 Phoenix, AZ - 480-792-7200  
 San Jose, CA - 408-735-9110  
 Canada - Toronto - 905-673-0699

#### Europe

Austria - Wels - 43-7242-2244-39  
 Denmark - Copenhagen - 45-4450-2828  
 France - Paris - 33-1-69-53-63-20  
 Germany - Dusseldorf - 49-2129-3766400  
 Germany - Karlsruhe - 49-721-625370  
 Germany - Munich - 49-89-627-144-0  
 Italy - Milan - 39-0331-742611  
 Italy - Venice - 39-049-7625286  
 Netherlands - Drunen - 31-416-690399  
 Poland - Warsaw - 48-22-3325737  
 Spain - Madrid - 34-91-708-08-90  
 Sweden - Stockholm - 46-8-5090-4654  
 UK - Wokingham - 44-118-921-5800

#### Asia/Pacific

Hong Kong - 852-2943-5100  
 Australia - Sydney - 61-2-9868-6733  
 China - Beijing - 86-10-8569-7000  
 China - Chengdu - 86-28-8665-5511  
 China - Chongqing - 86-23-8980-9588  
 China - Dongguan - 86-769-8702-9880  
 China - Hangzhou - 86-571-8792-8115  
 China - Hong Kong SAR - 852-2943-5100  
 China - Nanjing - 86-25-8473-2460  
 China - Qingdao - 86-532-8502-7355  
 China - Shanghai - 86-21-5407-5533  
 China - Shenyang - 86-24-2334-2829  
 China - Shenzhen - 86-755-8864-2200  
 China - Wuhan - 86-27-5980-5300  
 China - Xiamen - 86-592-2388138  
 China - Xian - 86-29-8833-7252  
 China - Zhuhai - 86-756-3210040  
 India - Bangalore - 91-80-3090-4444  
 India - New Delhi - 91-11-4160-8631  
 India - Pune - 91-20-3019-1500  
 Korea - Daegu - 82-53-744-4301  
 Korea - Seoul - 82-2-554-7200  
 Malaysia - Kuala Lumpur - 60-3-6201-9857  
 Malaysia - Penang - 60-4-227-8870  
 Philippines - Manila - 63-2-634-9065  
 Singapore - 65-6334-8870  
 Taiwan - Hsin Chu - 886-3-5778-366  
 Taiwan - Kaohsiung - 886-7-213-7828  
 Taiwan - Taipei - 886-2-2508-8600  
 Thailand - Bangkok - 66-2-694-1351

07/14/15



Microchip Technology Inc. • 2355 West Chandler Blvd. • Chandler, AZ 85224-6199

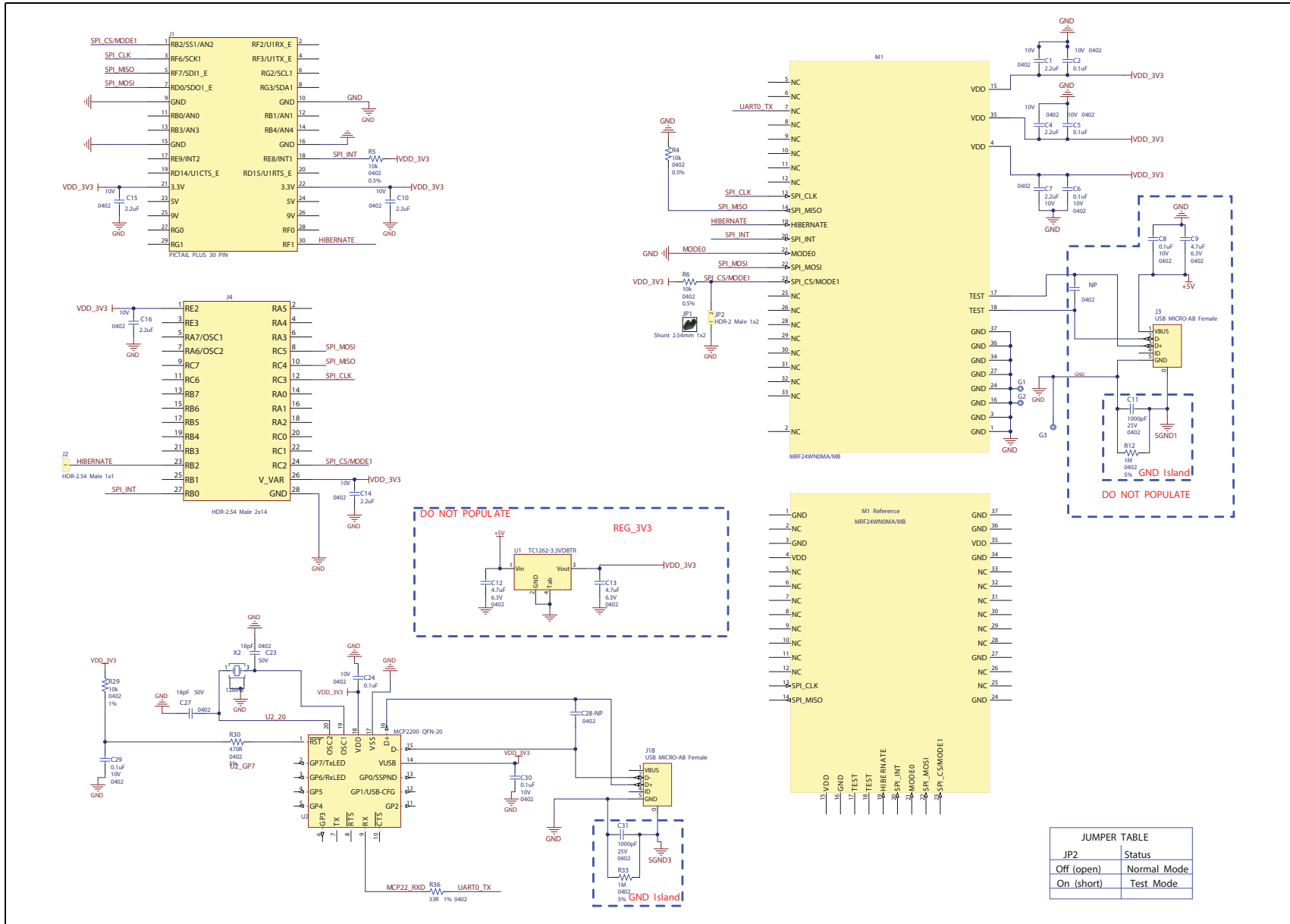
[www.microchip.com](http://www.microchip.com)

The Microchip name and logo, the Microchip logo, PIC and MPLAB are registered trademarks of Microchip Technology Incorporated in the U.S.A. and other countries. All other trademarks mentioned herein are property of their respective companies.

© 2015, Microchip Technology Incorporated. All Rights Reserved.

DS50002402A

# MRF24WN0MA PICtail™/PICtail Plus Daughter Board Schematic



## X-ON Electronics

Largest Supplier of Electrical and Electronic Components

*Click to view similar products for [Daughter Cards & OEM Boards](#) category:*

*Click to view products by [Microchip](#) manufacturer:*

Other Similar products are found below :

[ADZS-21262-1-EZEXT](#) [27911](#) [SPC56ELADPT144S](#) [TMDXRM46CNCD](#) [DM160216](#) [EV-ADUCM350GPIOHZ](#) [EV-ADUCM350-BIO3Z](#)  
[ATSTK521](#) [1130](#) [MA160015](#) [MA180033](#) [MA240013](#) [MA240026](#) [MA320014](#) [MA330014](#) [MA330017](#) [TLK10034SMAEVM](#) [MIKROE-](#)  
[2152](#) [MIKROE-2154](#) [MIKROE-2381](#) [TSSOP20EV](#) [DEV-11723](#) [MIKROE-1108](#) [MIKROE-1516](#) [SPS-READER-GEVK](#) [AC244049](#)  
[AC244050](#) [AC320004-3](#) [2077](#) [ATSMARTCARD-XPRO](#) [EIC - Q600 -230](#) [ATZB-212B-XPRO](#) [SPC560PADPT100S](#) [SPC560BADPT64S](#)  
[MA180018](#) [EIC - Q600 -220](#) [AC164134-1](#) [BOB-12035](#) [STM8/128-D/RAIS](#) [AC164127-6](#) [AC164127-4](#) [AC164134-3](#) [AC164156](#) [MA320021](#)  
[MA320024](#) [DFR0285](#) [DFR0312](#) [DFR0356](#) [MA320023](#) [MIKROE-2564](#)