

SQI™ SuperFlash® Kit Information Sheet

Overview

The SQI™ SuperFlash® Kit contains three Serial Flash PICtail™ Plus Daughter Boards. A Serial Flash PICtail Plus Daughter Board is an evaluation board that interfaces to an Explorer 16 Development board through the PICtail Plus connector.

Inside the Box

The box contains three Serial Flash PICtail Plus Daughter Boards. Each board has an SQI Flash device soldered onto it.

Table 1 below lists the board number with the corresponding Flash device and the J3 jumper setting.

TABLE 1: J3 JUMPER SETTINGS

Board Number	SQI Flash Device	J3 Jumper Setting
02-02317-4	SST26VF064B	Pin 2 and Pin 3
02-02317-5	SST26VF032B	Pin 2 and Pin 3
02-02317-6	SST26WF016B	Pin 1 and Pin 2

Key Features of the Board

- 8-pin Header provides easy access to SQI Flash pins for probing and evaluation
- 3-pin Header provides easy access for an external power supply and the power measurement capability
- Plugs into the PICtail Plus connector on the Explorer 16 Development Board
- Follows the published recommended usage, including decoupling capacitors

Getting Started

The Serial Flash PICtail Plus Daughter Board allows you to get started right out of the box. By using the daughter board and the Explorer 16 Development Board, code can be developed quickly on known good hardware.

Example code can be downloaded from <http://www.microchip.com/flashmemory>.

Americas

Atlanta - 678-957-9614
Austin - 512-257-3370
Boston - 774-760-0087
Chicago - 630-285-0071
Cleveland - 216-447-0464
Dallas - 972-818-7423
Detroit - 248-848-4000
Houston - 281-894-5983
Indianapolis - 317-773-8323
Los Angeles - 949-462-9523
New York - 631-435-6000
Phoenix - 480-792-7200
San Jose - 408-735-9110
Toronto - 905-673-0699

Europe

Austria - Wels - 43-7242-2244-39
Denmark - Copenhagen - 45-4450-2828
France - Paris - 33-1-69-53-63-20
Germany - Dusseldorf - 49-2129-3766400
Germany - Munich - 49-89-627-144-0
Germany - Pforzheim - 49-7231-424750
Italy - Milan - 39-0331-742611
Italy - Venice - 39-049-7625286
Netherlands - Drunen - 31-416-690399
Poland - Warsaw - 48-22-3325737
Spain - Madrid - 34-91-708-08-90
Sweden - Stockholm - 46-8-5090-4654
UK - Wokingham - 44-118-921-5800

Asia/Pacific

Australia - Sydney - 61-2-9868-6733
China - Beijing - 86-10-8569-7000
China - Chengdu - 86-28-8665-5511
China - Chongqing - 86-23-8980-9588
China - Dongguan - 86-769-8702-9880
China - Hangzhou - 86-571-8792-8115
China - Hong Kong SAR - 852-2943-5100
China - Nanjing - 86-25-8473-2460
China - Qingdao - 86-532-8502-7355
China - Shanghai - 86-21-5407-5533
China - Shenyang - 86-24-2334-2829
China - Shenzhen - 86-755-8864-2200
China - Wuhan - 86-27-5980-5300
China - Xiamen - 86-592-2388138
China - Xian - 86-29-8833-7252
China - Zhuhai - 86-756-3210040
India - Bangalore - 91-80-3090-4444
India - New Delhi - 91-11-4160-8631
India - Pune - 91-20-3019-1500
Japan - Osaka - 81-6-6152-7160
Japan - Tokyo - 81-3-6880-3770
Korea - Daegu - 82-53-744-4301
Korea - Seoul - 82-2-554-7200
Malaysia - Kuala Lumpur - 60-3-6201-9857
Malaysia - Penang - 60-4-227-8870
Philippines - Manila - 63-2-634-9065
Singapore - 65-6334-8870
Taiwan - Hsin Chu - 886-3-5778-366
Taiwan - Kaohsiung - 886-7-213-7828
Taiwan - Taipei - 886-2-2508-8600
Thailand - Bangkok - 66-2-694-1351

01/27/15



MICROCHIP

Microchip Technology Inc. • 2355 West Chandler Blvd. • Chandler, AZ 85224-6199

www.microchip.com

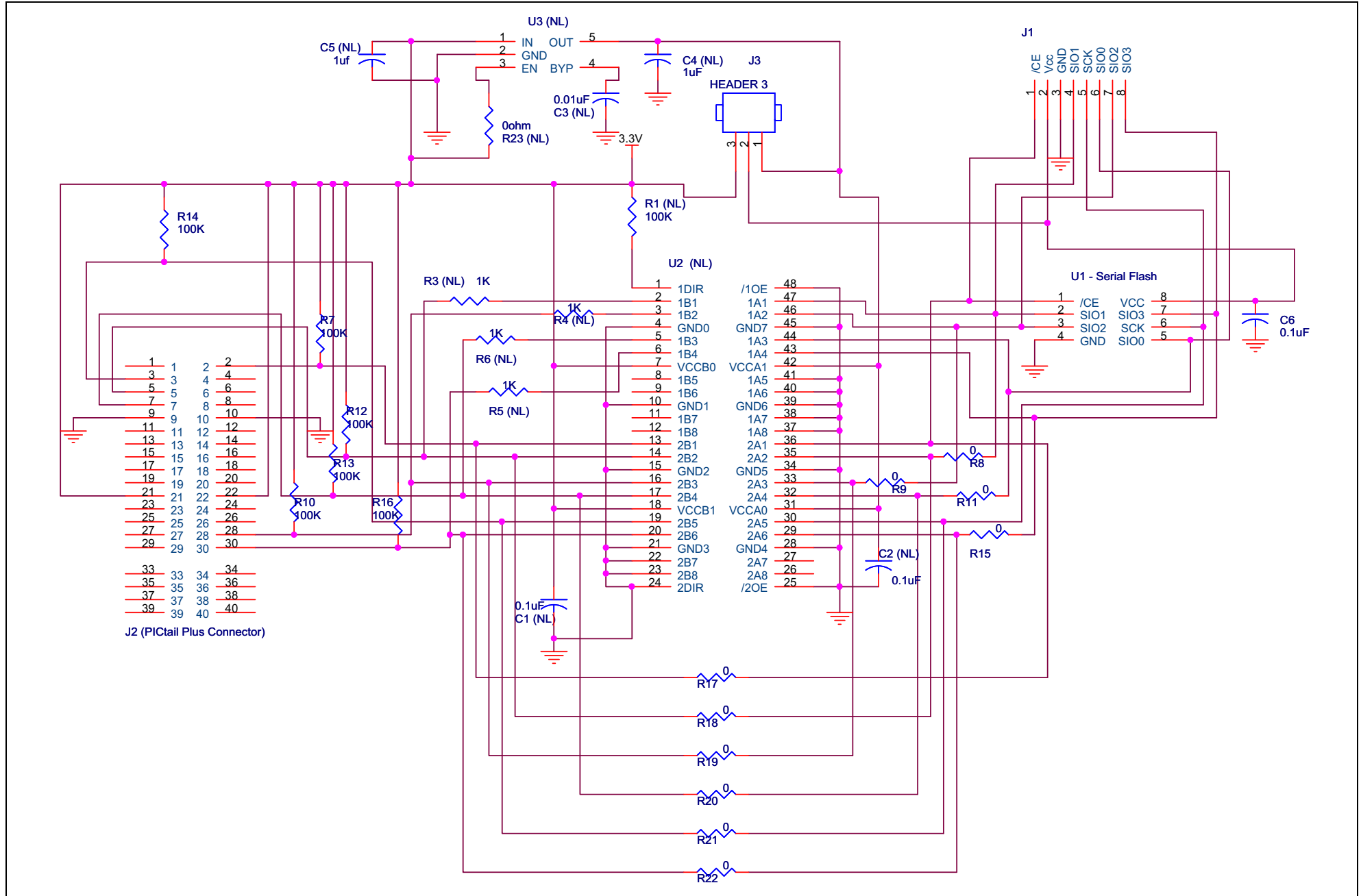
The Microchip name and logo, the Microchip logo, and SuperFlash are registered trademarks and PICtail and SQI are trademarks of Microchip Technology Incorporated in the U.S.A. and other countries. All other trademarks mentioned herein are property of their respective companies. © 2014-2015, Microchip Technology Incorporated, Printed in the U.S.A. All Rights Reserved. 4/15

DS50002324B

Serial Flash PICtail™ Plus Daughter Board

Board Schematic

The schematic of the Serial Flash PICtail Plus Daughter Board is shown below:



X-ON Electronics

Largest Supplier of Electrical and Electronic Components

Click to view similar products for [Memory IC Development Tools](#) category:

Click to view products by [Microchip](#) manufacturer:

Other Similar products are found below :

[HLDC-DDR3-A](#) [254](#) [HLDC-DDR4-4GB-A](#) [1569](#) [1897](#) [AC500100](#) [AC243008](#) [AC243009](#) [1895](#) [254](#) [2574](#) [4682](#) [4718](#) [4719](#) [939](#) [HLDC-DDR4-A](#) [HLDC-QDRIV-A](#) [ASX00008](#) [CY15FRAMKIT-002](#) [CF02-F9-ILAT06-M01](#) [USB02-U9-RBB06-M01](#) [USB06-U8-RB1Q03-M01](#) [AC243003](#) [AC243005-1](#) [AC500101](#) [DM160232](#) [DV243003](#) [MIKROE-3641](#) [MIKROE-3762](#) [MIKROE-3780](#) [MIKROE-3817](#) [MIKROE-4067](#) [MIKROE-4129](#) [MIKROE-4178](#) [MIKROE-4232](#) [MIKROE-4293](#) [MIKROE-4421](#) [MIKROE-4440](#) [MIKROE-1199](#) [MIKROE-1200](#) [MIKROE-1486](#) [MIKROE-1902](#) [MIKROE-1909](#) [MIKROE-1989](#) [MIKROE-2267](#) [MIKROE-2374](#) [MIKROE-2536](#) [MIKROE-2914](#) [MIKROE-3](#) [MIKROE-3104](#)