

## Overview

The SQI SuperFlash Kit 1 contains three Serial Flash Daughter Boards. The Serial Flash Daughter Board is an evaluation board designed to interface with the mikroBUS™ connector on the Explorer 16/32 Development Board (DM240001-2). It can also interface with the PICTail™ Plus connector that is located on the Explorer 16 Development Board (DM240001).

## Inside the Box

The box contains 3 Serial Flash Daughter Boards. Each board has a SQI Flash device soldered on it. Table 1 lists the board numbers with corresponding Flash devices, and the appropriate J3 jumper settings.

**TABLE 1: J3 JUMPER SETTINGS**

Board Number	SPI Flash Device	J3 Jumper Setting
02-10609-4	SST26VF064B	Pin 2 and Pin 3
02-10609-5	SST26VF032B	Pin 2 and Pin 3
02-10609-6	SST26WF016B	Pin 1 and Pin 2

## Key Features of the Board

- 3-pin header provides easy access for the external power supply and power measurement capability
- Plugs into the mikroBUS connector of the Explorer 16/32 Development Board
- Plugs into the PICTail Plus connector of the Explorer 16 Development Board
- Follows published recommended usage, including decoupling capacitors

## Getting Started

The Serial Flash Daughter Board allows you to get started right out of the box. By using the daughter board and the Explorer 16/32 Development Board, code can be developed quickly on known good hardware.

Example code is available for download from the resources area:  
[www.microchip.com/superflash](http://www.microchip.com/superflash)

### Americas

Atlanta, GA - 678-957-9614  
 Austin, TX - 512-257-3370  
 Boston, MA - 774-760-0087  
 Chicago, IL - 630-285-0071  
 Dallas, TX - 972-818-7423  
 Detroit, MI - 248-848-4000  
 Houston, TX - 281-894-5983  
 Indianapolis, IN - 317-773-8323  
 Los Angeles, CA - 949-462-9523  
 Raleigh, NC - 919-844-7510  
 New York, NY - 631-435-6000  
 Phoenix - 480-792-7200  
 San Jose, CA - 408-735-9110  
 Canada - Toronto - 905-695-1980

### Europe

Austria - Wels - 43-7242-2244-39  
 Denmark - Copenhagen - 45-4450-2828  
 Finland - Espoo - 358-9-4520-820  
 France - Paris - 33-1-69-53-63-20  
 France - Saint Cloud - 33-1-30-60-70-00  
 Germany - Garching - 49-8931-9700  
 Germany - Haan - 49-2129-3766400  
 Germany - Heilbronn - 49-7131-67-3636  
 Germany - Karlsruhe - 49-721-625370  
 Germany - Munich - 49-89-627-144-0  
 Italy - Milan - 39-0331-742611  
 Italy - Padova - 39-049-7625286  
 Netherlands - Druenen - 31-416-690399  
 Norway - Trondheim - 47-7289-7561  
 Poland - Warsaw - 48-22-3325737  
 Spain - Madrid - 34-91-708-08-90  
 Sweden - Gothenberg - 46-31-704-60-40  
 Sweden - Stockholm - 46-8-5090-4654  
 UK - Wokingham - 44-118-921-5800

### Asia/Pacific

Hong Kong - 852-2943-5100  
 Australia - Sydney - 61-2-9868-6733  
 China - Beijing - 86-10-8569-7000  
 China - Chengdu - 86-28-8665-5511  
 China - Chongqing - 86-23-8980-9588  
 China - Dongguan - 86-769-8702-9880  
 China - Guangzhou - 86-20-8755-8029  
 China - Hangzhou - 86-571-8792-8115  
 China - Hong Kong SAR - 852-2943-5100  
 China - Nanjing - 86-25-8473-2460  
 China - Qingdao - 86-532-8502-7355  
 China - Shanghai - 86-21-3326-8000  
 China - Shenyang - 86-24-2334-2829  
 China - Shenzhen - 86-755-8864-2200  
 China - Wuhan - 86-27-5980-5300  
 China - Xiamen - 86-592-2388138  
 China - Xian - 86-29-8833-7252  
 China - Zhuhai - 86-756-3210040  
 India - Bangalore - 91-80-3090-4444  
 India - New Delhi - 91-11-4160-8631  
 India - Pune - 91-20-3019-1500  
 Japan - Osaka - 81-6-6152-7160  
 Japan - Tokyo - 81-3-6880-3770  
 Korea - Daegu - 82-53-744-4301  
 Korea - Seoul - 82-2-554-7200  
 Malaysia - Kuala Lumpur - 60-3-6201-9857  
 Malaysia - Penang - 60-4-227-8870  
 Philippines - Manila - 63-2-634-9065  
 Singapore - 65-6334-8870  
 Taiwan - Hsin Chu - 886-3-5778-366  
 Taiwan - Kaohsiung - 886-7-213-7830  
 Taiwan - Taipei - 886-2-2508-8600  
 Thailand - Bangkok - 66-2-694-1350

11/08/16

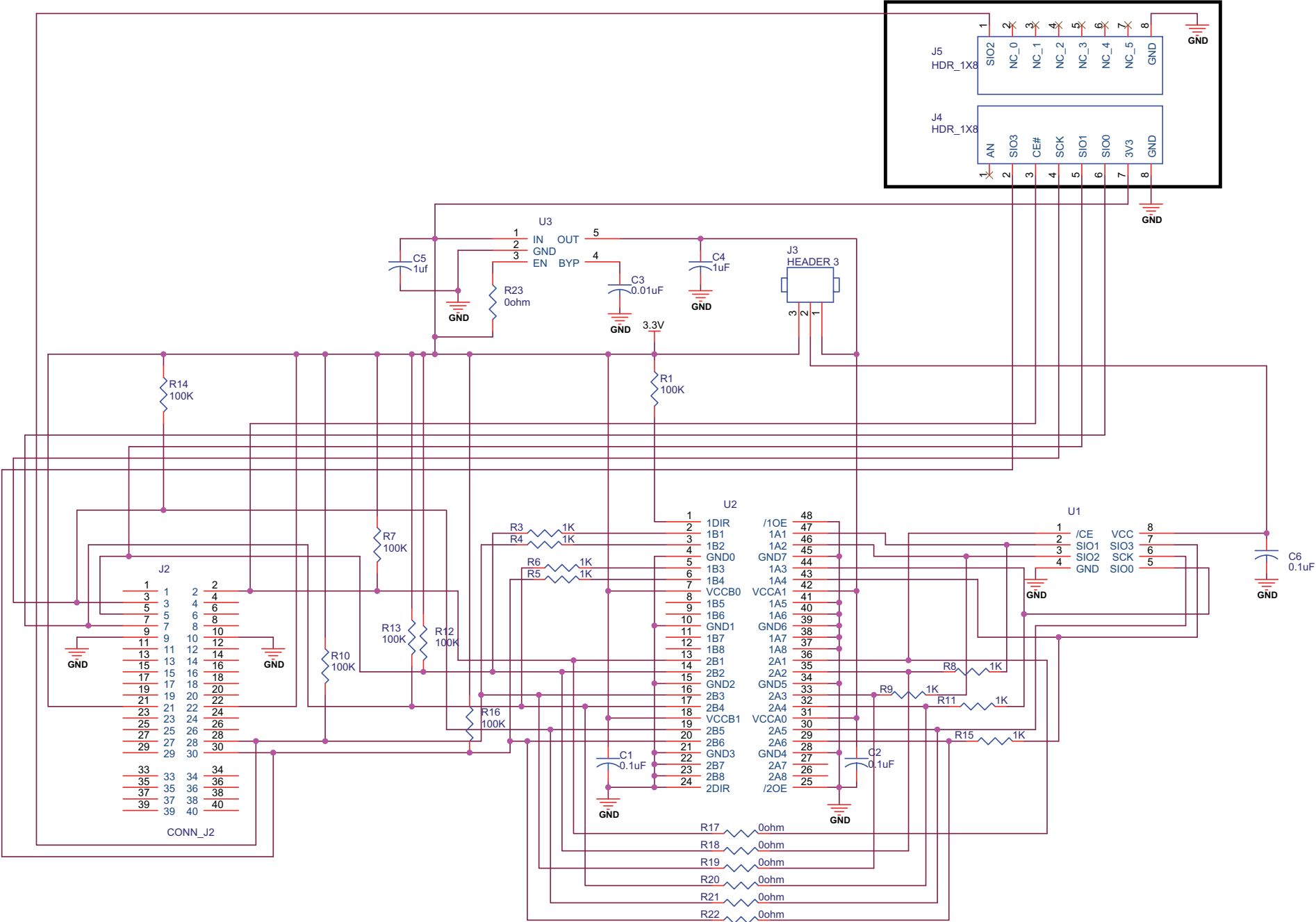


Microchip Technology Inc. • 2355 West Chandler Blvd. • Chandler, AZ 85224-6199

[www.microchip.com](http://www.microchip.com)

The Microchip name and logo and the Microchip logo are registered trademarks of Microchip Technology Inc. in the U.S.A. and other countries. SuperFlash is a registered trademark of Microchip Technology Inc. in the U.S.A. and other countries. PICTail is a trademark of Microchip Technology Inc. in the U.S.A. and other countries. All other trademarks mentioned herein are property of their respective companies.

# Serial Flash Daughter Board Schematic



## X-ON Electronics

Largest Supplier of Electrical and Electronic Components

*Click to view similar products for [Memory IC Development Tools](#) category:*

*Click to view products by [Microchip](#) manufacturer:*

Other Similar products are found below :

[HLDC-DDR3-A 254](#) [HLDC-DDR4-4GB-A 1569](#) [1897](#) [AC500100](#) [AC243008](#) [AC243009](#) [1895](#) [254](#) [2574](#) [4682](#) [4718](#) [4719](#) [939](#) [HLDC-DDR4-A](#) [HLDC-QDRIV-A](#) [ASX00008](#) [CY15FRAMKIT-002](#) [CF02-F9-ILAT06-M01](#) [USB02-U9-RBB06-M01](#) [USB06-U8-RB1Q03-M01](#) [AC243003](#) [AC243005-1](#) [AC500101](#) [DM160232](#) [DV243003](#) [MIKROE-3641](#) [MIKROE-3762](#) [MIKROE-3780](#) [MIKROE-3817](#) [MIKROE-4067](#) [MIKROE-4129](#) [MIKROE-4178](#) [MIKROE-4232](#) [MIKROE-4293](#) [MIKROE-4421](#) [MIKROE-4440](#) [MIKROE-1199](#) [MIKROE-1200](#) [MIKROE-1486](#) [MIKROE-1902](#) [MIKROE-1909](#) [MIKROE-1989](#) [MIKROE-2267](#) [MIKROE-2374](#) [MIKROE-2536](#) [MIKROE-2914](#) [MIKROE-3](#) [MIKROE-3104](#)