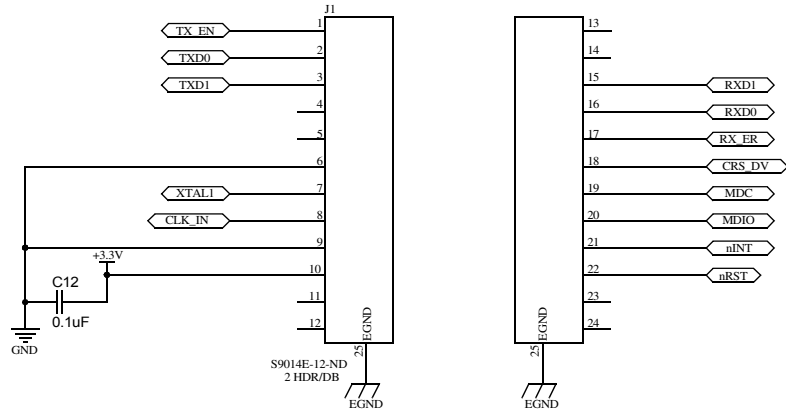


## Schematics (Continued)



### Americas

Atlanta - 678-957-9614  
 Boston - 774-760-0087  
 Chicago - 630-285-0071  
 Cleveland - 216-447-0464  
 Dallas - 972-818-7423  
 Detroit - 248-538-2250  
 Indianapolis - 317-773-8323  
 Los Angeles - 949-462-9523  
 Phoenix - 480-792-7200  
 Santa Clara - 408-961-6444  
 Toronto - 905-673-0699

### Europe

Austria - Wels - 43-7242-2244-39  
 Denmark - Copenhagen - 45-4450-2828  
 France - Paris - 33-1-69-53-63-20  
 Germany - Munich - 49-89-627-144-0  
 Italy - Milan - 39-0331-742611  
 Netherlands - Drunen - 31-416-690399  
 Spain - Madrid - 34-91-708-08-90  
 UK - Wokingham - 44-118-921-5869

### Asia/Pacific

Australia - Sydney - 61-2-9868-6733  
 China - Beijing - 86-10-8569-2100  
 China - Chengdu - 86-28-8665-5511  
 China - Chongqing - 86-23-8980-9588

### Asia/Pacific (Continued)

China - Hangzhou - 86-571-2819-3187  
 China - Hong Kong SAR - 852-2943-5100  
 China - Nanjing - 86-25-8473-2460  
 China - Qingdao - 86-532-8502-7355  
 China - Shanghai - 86-21-5407-5533  
 China - Shenyang - 86-24-2334-2829  
 China - Shenzhen - 86-755-8864-2200  
 China - Wuhan - 86-27-5980-5300  
 China - Xiamen - 86-592-2388138  
 China - Xian - 86-29-8833-7252  
 China - Zhuhai - 86-756-3210040  
 India - Bangalore - 91-80-3090-4444  
 India - New Delhi - 91-11-4160-8631  
 India - Pune - 91-20-3019-1500  
 Japan - Osaka - 81-6-6152-7160  
 Japan - Tokyo - 81-3-6880-3770  
 Korea - Daegu - 82-53-744-4301  
 Korea - Seoul - 82-2-554-7200  
 Malaysia - Kuala Lumpur - 60-3-6201-9857  
 Malaysia - Penang - 60-4-227-8870  
 Philippines - Manila - 63-2-634-9065  
 Singapore - 65-6334-8870  
 Taiwan - Hsin Chu - 886-3-5778-366  
 Taiwan - Kaohsiung - 886-7-213-7828  
 Taiwan - Taipei - 886-2-2508-8600  
 Thailand - Bangkok - 66-2-694-1351

08/20/13



**MICROCHIP**

Microchip Technology Inc. • 2355 West Chandler Blvd. • Chandler, AZ 85224-6199

[www.microchip.com](http://www.microchip.com)

The Microchip name and logo, the Microchip logo, and MPLAB are registered trademarks of Microchip Technology Incorporated in the U.S.A. and other countries. All other trademarks mentioned herein are property of their respective companies. © 2013, Microchip Technology Incorporated, Printed in the U.S.A. All Rights Reserved. 10/13

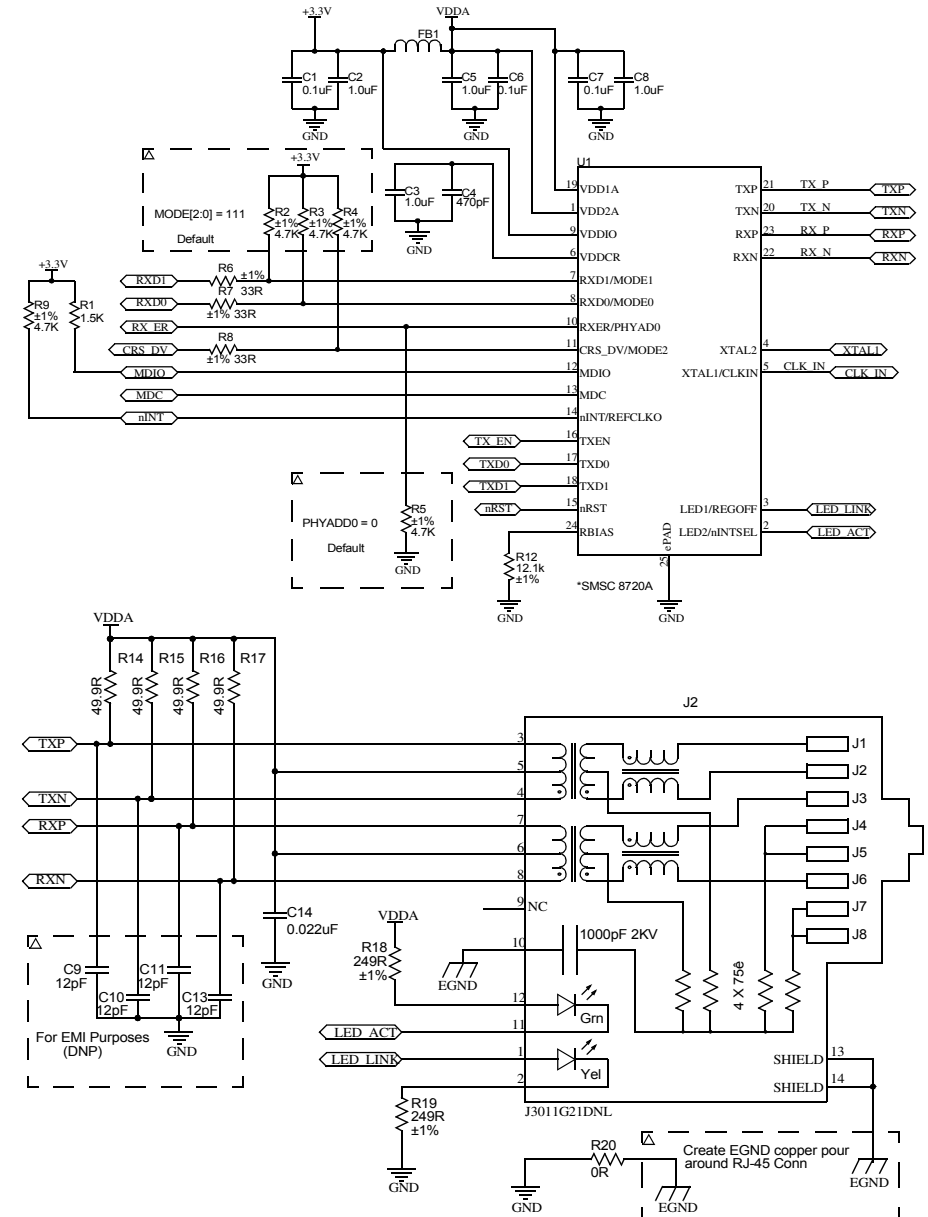
DS50002211A



## SMSC LAN8720 PHY Daughter Board Information Sheet

The SMSC LAN8720 PHY Daughter Board (AC320004-3) enables Ethernet communication with a variety of Microchip starter kits. For more information, please visit: <http://www.microchip.com>. From the Design Support menu, click **Development Tools**. Then, from the starter kit's menu, click **MPLAB® Starter Kit**, and then select the desired starter kit.

## Schematics



## X-ON Electronics

Largest Supplier of Electrical and Electronic Components

*Click to view similar products for [Daughter Cards & OEM Boards](#) category:*

*Click to view products by [Microchip](#) manufacturer:*

Other Similar products are found below :

[ADZS-21262-1-EZEXT](#) [27911](#) [SPC56ELADPT144S](#) [TMDXRM46CNCD](#) [DM160216](#) [EV-ADUCM350GPIOHZ](#) [EV-ADUCM350-BIO3Z](#)  
[ATSTK521](#) [1130](#) [MA160015](#) [MA180033](#) [MA240013](#) [MA240026](#) [MA320014](#) [MA330014](#) [MA330017](#) [TLK10034SMAEVM](#) [MIKROE-](#)  
[2152](#) [MIKROE-2154](#) [MIKROE-2381](#) [TSSOP20EV](#) [DEV-11723](#) [MIKROE-1108](#) [MIKROE-1516](#) [SPS-READER-GEVK](#) [AC244049](#)  
[AC244050](#) [AC320004-3](#) [2077](#) [ATSMARTCARD-XPRO](#) [EIC - Q600 -230](#) [ATZB-212B-XPRO](#) [SPC560PADPT100S](#) [SPC560BADPT64S](#)  
[MA180018](#) [EIC - Q600 -220](#) [AC164134-1](#) [BOB-12035](#) [STM8/128-D/RAIS](#) [AC164127-6](#) [AC164127-4](#) [AC164134-3](#) [AC164156](#) [MA320021](#)  
[MA320024](#) [DFR0285](#) [DFR0312](#) [DFR0356](#) [MA320023](#) [MIKROE-2564](#)