

## KSZ8041 PHY Daughter Board Information Sheet

The KSZ8041 PHY Daughter Board ([AC320004-5](#)) enables Ethernet communication with a variety of Microchip starter kits. This information sheet provides an overview and a detailed schematic of the KSZ8041 PHY Daughter Board.

This daughter board is designed specifically to be used with the PIC32 Ethernet Starter Kit II ([DM320004-2](#)) or the PIC32MZ Embedded Connectivity with Floating Point Unit (EF) Starter Kit ([DM320007](#)); however, it can also be used with other Microchip development hardware.

Please visit <http://www.microchip.com> for additional information on the daughter board.

### Features

The KSZ8041 PHY Daughter Board features a 22-pin header for connecting the board into compatible PIC32 starter kits. The board has a KSZ8041 Ethernet Physical Layer Chip, configured to use RMII. The daughter board is suitable for use with the PIC32 Ethernet Starter Kit II and PIC32MZ EF Starter Kit.

Features of the KSZ8041 PHY Daughter Board includes:

- RMII interface with MDC/MDIO management interface for register configuration
- Single-Chip 10BASE-T/100BASE-TX Physical Layer Solution
- Fully compliant to IEEE 802.3u standard
- Low-power CMOS design, power consumption of <180 mW
- HP Auto MDI/MDI-X for reliable detection and correction for straight-through, and crossover cables with disable and enable options
- Robust operation over standard cables

### Additional Information

For additional information on drivers and examples, please visit:

- <http://www.microchip.com/wwwproducts/en/KSZ8041>
- <http://www.microchip.com/mplab/mplab-harmony>

### Americas

Atlanta - 678-957-9614  
Austin - 512-257-3370  
Boston - 774-760-0087  
Chicago - 630-285-0071  
Cleveland - 216-447-0464  
Dallas - 972-818-7423  
Detroit - 248-848-4000  
Houston - 281-894-5983  
Indianapolis - 317-773-8323  
Los Angeles - 949-462-9523  
New York - 631-435-6000  
Phoenix - 480-792-7200  
Santa Clara - 408-961-6444  
Toronto - 905-673-0699

### Europe

Austria - Wels - 43-7242-2244-39  
Denmark - Copenhagen - 45-4450-2828  
France - Paris - 33-1-69-53-63-20  
Germany - Munich - 49-89-627-144-0  
Italy - Milan - 39-0331-742611  
Netherlands - Drunen - 31-416-690399  
Spain - Madrid - 34-91-708-08-90  
UK - Wokingham - 44-118-921-5869

### Asia/Pacific

Australia - Sydney - 61-2-9868-6733  
China - Beijing - 86-10-8569-2100

### Asia/Pacific (Continued)

China - Chengdu - 86-28-8665-5511  
China - Chongqing - 86-23-8980-9588  
China - Hangzhou - 86-571-8792-8115  
China - Hong Kong SAR - 852-2943-5100  
China - Nanjing - 86-25-8473-2460  
China - Qingdao - 86-532-8502-7355  
China - Shanghai - 86-21-5407-5533  
China - Shenyang - 86-24-2334-2829  
China - Shenzhen - 86-755-8864-2200  
China - Wuhan - 86-27-5980-5300  
China - Xiamen - 86-592-2388138  
China - Xian - 86-29-8833-7252  
China - Zhuhai - 86-756-3210040  
India - Bangalore - 91-80-3090-4444  
India - New Delhi - 91-11-4160-8631  
India - Pune - 91-20-3019-1500  
Japan - Osaka - 81-6-6152-7160  
Japan - Tokyo - 81-3-6880-3770  
Korea - Daegu - 82-53-744-4301  
Korea - Seoul - 82-2-554-7200  
Malaysia - Kuala Lumpur - 60-3-6201-9857  
Malaysia - Penang - 60-4-227-8870  
Philippines - Manila - 63-2-634-9065  
Singapore - 65-6334-8870  
Taiwan - Hsin Chu - 886-3-5778-366  
Taiwan - Kaohsiung - 886-7-213-7840  
Taiwan - Taipei - 886-2-2508-8600  
Thailand - Bangkok - 66-2-694-1351

01/11/17



Microchip Technology Inc. • 2355 West Chandler Blvd. • Chandler, AZ 85224-6199

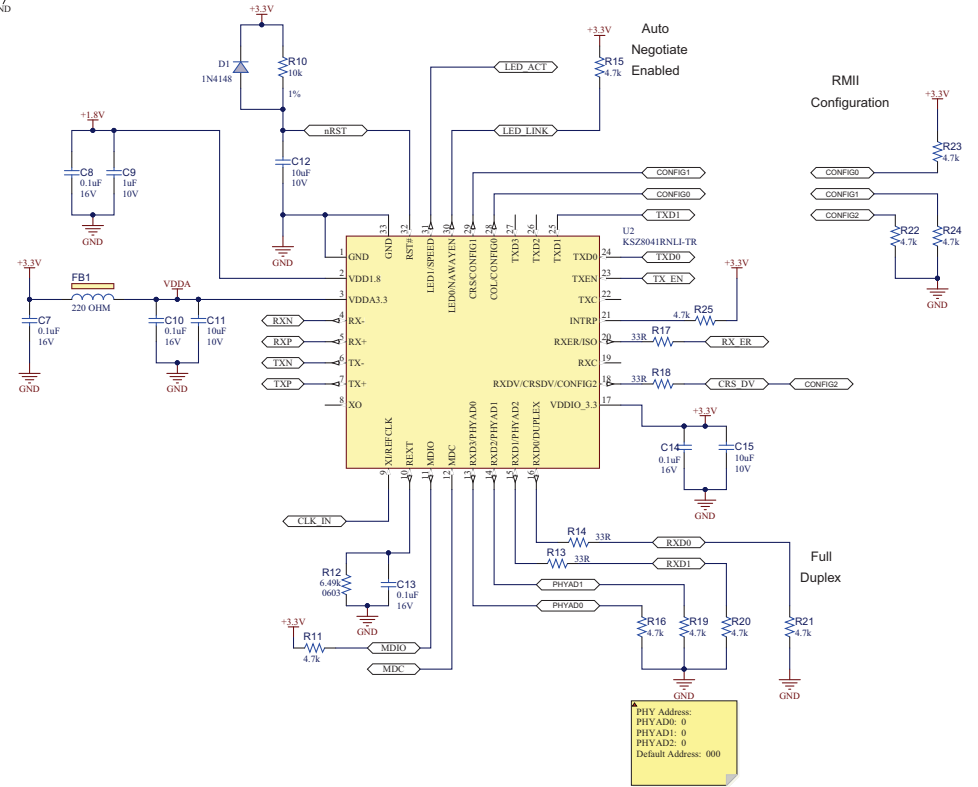
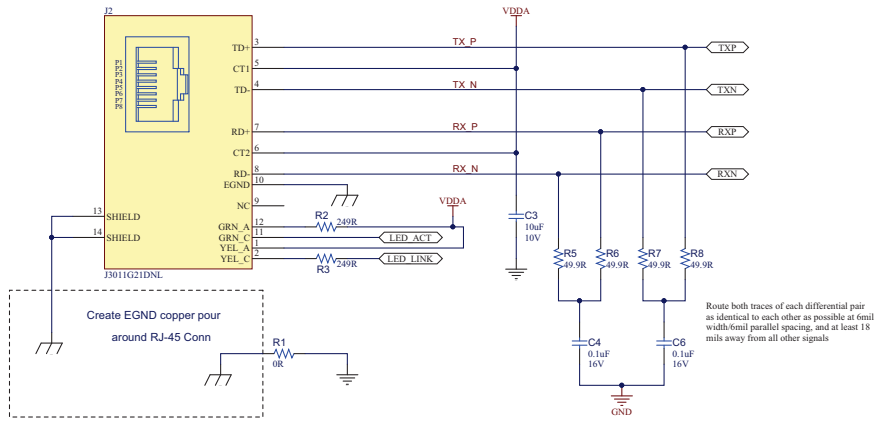
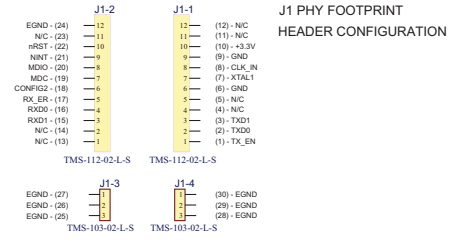
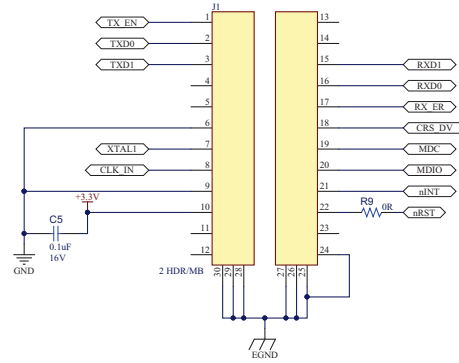
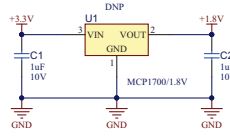
[www.microchip.com](http://www.microchip.com)

The Microchip name and logo, the Microchip logo, and MPLAB are registered trademarks of Microchip Technology Incorporated in the U.S.A. and other countries. All other trademarks mentioned herein are property of their respective companies. © 2014, Microchip Technology Incorporated, Printed in the U.S.A. All Rights Reserved. 01/17

DS50002677A



# KSZ8041 PHY Daughter Board Schematic



## X-ON Electronics

Largest Supplier of Electrical and Electronic Components

*Click to view similar products for [Ethernet Development Tools](#) category:*

*Click to view products by [Microchip](#) manufacturer:*

Other Similar products are found below :

[KSZ8863FLL-EVAL](#) [KSZ8873MLL-EVAL](#) [PD-IM-7648M](#) [PD-IM-7648T4](#) [PD70101EVB15F-12](#) [PD70101EVB6F](#) [PD70211EVB50FW-5](#)  
[PD70211EVB72FW-12](#) [EV44F42A](#) [WIZ550S2E-232-EVB](#) [DFR0272](#) [A000024](#) [DFR0125](#) [UKIT-006GP](#) [UKIT-003FE](#) [UKIT-002GB](#) [UKIT-](#)  
[001FE](#) [EVB-KSZ9477](#) [OM-E-ETH](#) [DP83867ERGZ-R-EVM](#) [UP-POE-A20-0001](#) [2971](#) [3785](#) [ASX00006](#) [ASX00021](#) [ASX00026](#) [XTIB-E](#)  
[ESP32-ETHERNET-KIT-VE](#) [EVB-KSZ9897-1](#) [KSZ9031MNX-EVAL](#) [AC164121](#) [AC164132](#) [AC320004-5](#) [AC320004-6](#) [AC320004-7](#)  
[DM320114](#) [DM990004](#) [EV02N47A](#) [EV44C93A](#) [EV57N07A](#) [EVB-KSZ8563](#) [EVB-KSZ9477-1](#) [EVB-KSZ9893](#) [EVB-LAN7430](#) [EVB-](#)  
[LAN7431-EDS](#) [EVB-LAN7800LC-1](#) [EVB-LAN7850](#) [EVB-LAN9252-3PORT](#) [EVB-LAN9252-ADD-ON](#) [EVB-LAN9252-DIGIO](#)