

MEB/MEB II UART-to-USB Adapter Board Information Sheet

The MEB/MEB II UART-to-USB Adapter Board (AC320101) uses the MCP2200 Breakout Module (ADM00393) to convert USB-to-UART signals that can be accessed directly by the PICtail™ connector on either the Multimedia Expansion Board (MEB) DM320005 or the Multimedia Expansion Board II (MEB II) DM320005-2.

The four jumpers on the board can be used to route the UART signals to either the MEB or MEB II.

For more information, refer to the “MCP2200 Data Sheet” (DS20002228) and the MPC2000 Breakout Module, which are available for download from the Microchip web site at:

<http://www.microchip.com/DevelopmentTools/ProductDetails.aspx?PartNO=ADM00393>.

Table 1 shows the mapping between the PICtail Connector (J1) and the MEB/MEB II configurations.

TABLE 1: HEADER INTERFACE MAPPING

PICtail™ (J1) Pin #	MEB Configuration		PIC32MX Signal Name	MEB II Configuration		PIC32MZ Signal Name
	Signal @ J3	Pin Function		Signal @ J2	Pin Function	
1	+3.3V	+3.3V	+3.3V	+3.3V	+3.3V	+3.3V
2	—	—	—	—	—	—
3	—	—	—	—	—	—
4	—	—	—	—	—	—
5	—	—	—	—	—	—
6	—	—	—	—	—	—
7	—	—	—	MEB2_CTS	SD12/SD14/WIFI_SDO	RPG7
8	—	—	—	—	—	—
9	—	—	—	MEB2_RTS	AN12/SDO2/U2CTS/BT_RTS	RPG8
10	—	—	—	—	—	—
11	—	—	—	MEB2_TxD	AN14/SCK2/U2RX/BT_TX	RPG6
12	—	—	—	—	—	—
13	—	—	—	—	—	—
14	—	—	—	—	—	—
15	—	—	—	—	—	—
16	MEB1_TxD	SDI3A	RF4	—	—	—
17	—	—	—	—	—	—
18	MEB1_RxD	SDO3A	RF5	—	—	—
19	—	—	—	MEB2_RxD	SCK3/U2TX/BT_RX	—
20	MEB1_CTS	SCK3A	RF13	—	—	RPB14
21	—	—	—	—	—	—
22	MEB1_RTS	SS3A/RF12	RF12	—	—	—
23	—	—	—	—	—	—
24	—	—	—	—	—	—
25	—	—	—	—	—	—
26	—	—	—	—	—	—
27	—	—	—	—	—	—
28	—	—	—	—	—	—

Legend: Shaded cells marked with “—” indicate a No Connect.

Americas

Atlanta - 678-957-9614
 Austin - 512-257-3370
 Boston - 774-760-0087
 Chicago - 630-285-0071
 Cleveland - 216-447-0464
 Dallas - 972-818-7423
 Detroit - 248-848-4000
 Houston - 281-894-5983
 Indianapolis - 317-773-8323
 Los Angeles - 949-462-9523
 New York - 631-435-6000
 Phoenix - 480-792-7200
 Santa Clara - 408-961-6444
 Toronto - 905-673-0699

Europe

Austria - Wels - 43-7242-2244-39
 Denmark - Copenhagen - 45-4450-2828
 France - Paris - 33-1-69-53-63-20
 Germany - Munich - 49-89-627-144-0
 Italy - Milan - 39-0331-742611
 Netherlands - Drunen - 31-416-690399
 Spain - Madrid - 34-91-708-08-90
 UK - Wokingham - 44-118-921-5869

Asia/Pacific

Australia - Sydney - 61-2-9868-6733
 China - Beijing - 86-10-8569-2100
 China - Chengdu - 86-28-8665-5511

Asia/Pacific (Continued)

China - Chengdu - 86-28-8665-5511
 China - Chongqing - 86-23-8980-9588
 China - Dongguan - 86-769-8702-9880
 China - Hangzhou - 86-571-8792-8115
 China - Hong Kong SAR - 852-2943-5100
 China - Nanjing - 86-25-8473-2460
 China - Qingdao - 86-532-8502-7355
 China - Shanghai - 86-21-5407-5533
 China - Shenyang - 86-24-2334-2829
 China - Shenzhen - 86-755-8864-2200
 China - Wuhan - 86-27-5980-5300
 China - Xiamen - 86-592-2388138
 China - Xian - 86-29-8833-7252
 China - Zhuhai - 86-756-3210040
 India - Bangalore - 91-80-3090-4444
 India - New Delhi - 91-11-4160-8631
 India - Pune - 91-20-3019-1500
 Japan - Osaka - 81-6-6152-7160
 Japan - Tokyo - 81-3-6880-3770
 Korea - Daegu - 82-53-744-4301
 Korea - Seoul - 82-2-554-7200
 Malaysia - Kuala Lumpur - 60-3-6201-9857
 Malaysia - Penang - 60-4-227-8870
 Philippines - Manila - 63-2-634-9065
 Singapore - 65-6334-8870
 Taiwan - Hsin Chu - 886-3-5778-366
 Taiwan - Kaohsiung - 886-7-213-7828
 Taiwan - Taipei - 886-2-2508-8600
 Thailand - Bangkok - 66-2-694-1351

01/27/15



MICROCHIP

Microchip Technology Inc. • 2355 West Chandler Blvd. • Chandler, AZ 85224-6199

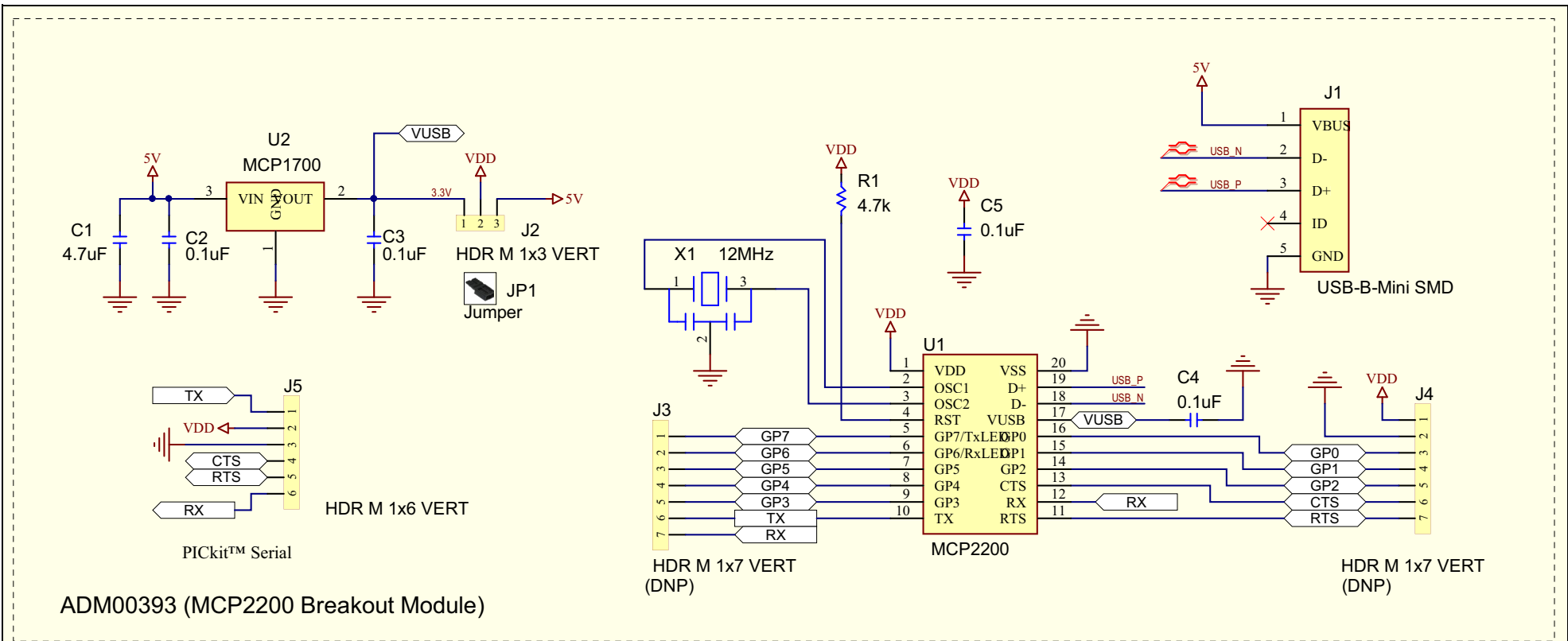
www.microchip.com

The Microchip name and logo, the Microchip logo, and MPLAB are registered trademarks of Microchip Technology Incorporated in the U.S.A. and other countries. All other trademarks mentioned herein are property of their respective companies. © 2015, Microchip Technology Incorporated, Printed in the U.S.A. All Rights Reserved. 01/15

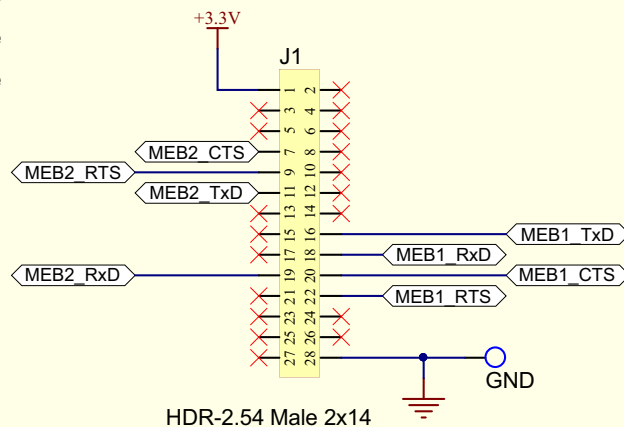
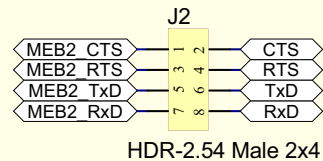
DS50002340A



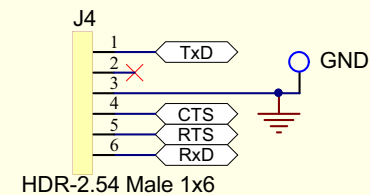
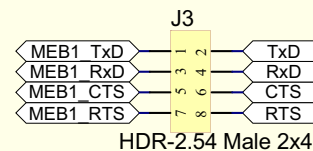
MEB/MEB II UART-to-USB Adapter Board Schematics



- JP1 Shunt 2.54mm 1x2 Handle
- JP2 Shunt 2.54mm 1x2 Handle
- JP3 Shunt 2.54mm 1x2 Handle
- JP4 Shunt 2.54mm 1x2 Handle



PICtail™ Connector



X-ON Electronics

Largest Supplier of Electrical and Electronic Components

Click to view similar products for [Interface Development Tools](#) category:

Click to view products by [Microchip](#) manufacturer:

Other Similar products are found below :

[ADP5585CP-EVALZ](#) [CHA2066-99F](#) [AS8650-DB](#) [MLX80104 TESTINTERFACE](#) [416100120-3](#) [XR18910ILEVB](#) [XR21B1421IL28-0A-EVB](#) [TW-DONGLE-USB](#) [EVAL-ADM2491EEBZ](#) [MAXREFDES23DB#](#) [MAX13235EEVKIT](#) [DFR0257](#) [XR22404CG28EVB](#) [ZLR964122L](#) [ZLR88822L](#) [EVK-U23-01S](#) [EVK-W262U-00](#) [DC327A](#) [PIM511](#) [PIM536](#) [PIM517](#) [DEV-17512](#) [STR-FUSB3307MPX-PPS-GEVK](#) [MAXREFDES177#](#) [EVAL-ADM2567EEBZ](#) [ZSSC3240KIT](#) [MAX9121EVKIT](#) [PIM532](#) [ZSC31010KITV2P1](#) [UMFT4233HPEV](#) [LVDS-18B-EVK](#) [XR20M1170G16-0B-EB](#) [XR20M1170G24-0B-EB](#) [XR20M1172G28-0A-EB](#) [XR20M1172G28-0B-EB](#) [SI871XSOIC8-KIT](#) [1764](#) [1833](#) [1862](#) [EVB-USB82514](#) [ATA6628-EK](#) [ATA6631-EK](#) [EVAL-CN0313-SDPZ](#) [2264](#) [MCP23X17EV](#) [PS081-EVA-HR MODULE](#) [237](#) [SMA2RJ45EVK/NOPB](#) [FR12-0002](#) [MAFR-000455-001](#)