

# I<sup>2</sup>C EERAM PICtail™ Plus Daughter Board with mikroBUS™ Connector Information Sheet

## Americas

Atlanta, GA - 678-957-9614  
Austin, TX - 512-257-3370  
Boston, MA - 774-760-0087  
Chicago, IL - 630-285-0071  
Cleveland, OH - 216-447-0464  
Dallas, TX - 972-818-7423  
Detroit, MI - 248-848-4000  
Houston, TX - 281-894-5983  
Indianapolis, IN - 317-773-8323  
Los Angeles, CA - 949-462-9523  
New York, NY - 631-435-6000  
Phoenix - 480-792-7200  
San Jose, CA - 408-735-9110  
Canada - Toronto - 905-695-1980

## Europe

Austria - Wels - 43-7242-2244-39  
Denmark - Copenhagen - 45-4450-2828  
France - Paris - 33-1-69-53-63-20  
Germany - Dusseldorf - 49-2129-3766400  
Germany - Karlsruhe - 49-721-625370  
Germany - Munich - 49-89-627-144-0  
Italy - Milan - 39-0331-742611  
Italy - Venice - 39-049-7625286  
Netherlands - Drunen - 31-416-690399  
Poland - Warsaw - 48-22-3325737  
Spain - Madrid - 34-91-708-08-90  
Sweden - Stockholm - 46-8-5090-4654  
UK - Wokingham - 44-118-921-5800

## Asia/Pacific

Hong Kong - 852-2943-5100  
Australia - Sydney - 61-2-9868-6733  
China - Beijing - 86-10-8569-7000  
China - Chengdu - 86-28-8665-5511  
China - Chongqing - 86-23-8980-9588  
China - Dongguan - 86-769-8702-9880  
China - Guangzhou - 86-20-8755-8029  
China - Hangzhou - 86-571-8792-8115  
China - Hong Kong SAR - 852-2943-5100  
China - Nanjing - 86-25-8473-2460  
China - Qingdao - 86-532-8502-7355  
China - Shanghai - 86-21-5407-5533  
China - Shenyang - 86-24-2334-2829  
China - Shenzhen - 86-755-8864-2200  
China - Wuhan - 86-27-5980-5300  
China - Xiamen - 86-592-2388138  
China - Xian - 86-29-8833-7252  
China - Zhuhai - 86-756-3210040  
India - Bangalore - 91-80-3090-4444  
India - New Delhi - 91-11-4160-8631  
India - Pune - 91-20-3019-1500  
Korea - Daegu - 82-53-744-4301  
Korea - Seoul - 82-2-554-7200  
Malaysia - Kuala Lumpur - 60-3-6201-9857  
Malaysia - Penang - 60-4-227-8870  
Philippines - Manila - 63-2-634-9065  
Singapore - 65-6334-8870  
Taiwan - Hsin Chu - 886-3-5778-366  
Taiwan - Kaohsiung - 886-7-213-7828  
Taiwan - Taipei - 886-2-2508-8600  
Thailand - Bangkok - 66-2-694-1351

06/23/16

## Overview

The Microchip Technology Inc. 47XXX series of EERAM devices are Serial SRAM with a matching EEPROM backup array. The 47XXX provides infinite read and write cycles to the SRAM while the EEPROM cells provide high-endurance, nonvolatile storage of data. The I<sup>2</sup>C PICtail Plus daughter board is an evaluation board based around the 47C04 and 47L16 I<sup>2</sup>C EERAM devices. The board is designed to interface with the Explorer series of development boards, and also with any mikroBUS™ compatible boards.

## Key Features of the Board

- 4 Kbit and 16 Kbit I<sup>2</sup>C Serial EERAM
- Follows the published recommended capacitor selection for the EERAM device
- Test points with probe loops for SCL, SDA, Vcc and GND
- On-board pull-ups for I<sup>2</sup>C bus operation
- SMD jumper options for 3.3V and 5V operation
- On-board RC filter ensures Vcc ramp rate adheres to data sheet requirements
- 0.1" two-way jumper for VCAP/VCC operation
- PICtail™ Plus and mikroBUS™ connectors

## Getting Started

The EERAM PICtail Plus daughter board allows you to get started right out of the box. By using the daughter board and one of the microcontroller development boards that support the PICtail Plus series of connectors, system firmware can be developed quickly using known good hardware.

All of the application notes written for the EERAM family are designed around the EERAM PICtail Plus daughter board. The installed capacitor provides the rated necessary charge for correct AutoStore operation.

## Additional Information

For additional information please visit [www.microchip.com/EERAM](http://www.microchip.com/EERAM).



Microchip Technology Inc. • 2355 West Chandler Blvd. • Chandler, AZ 85224-6199

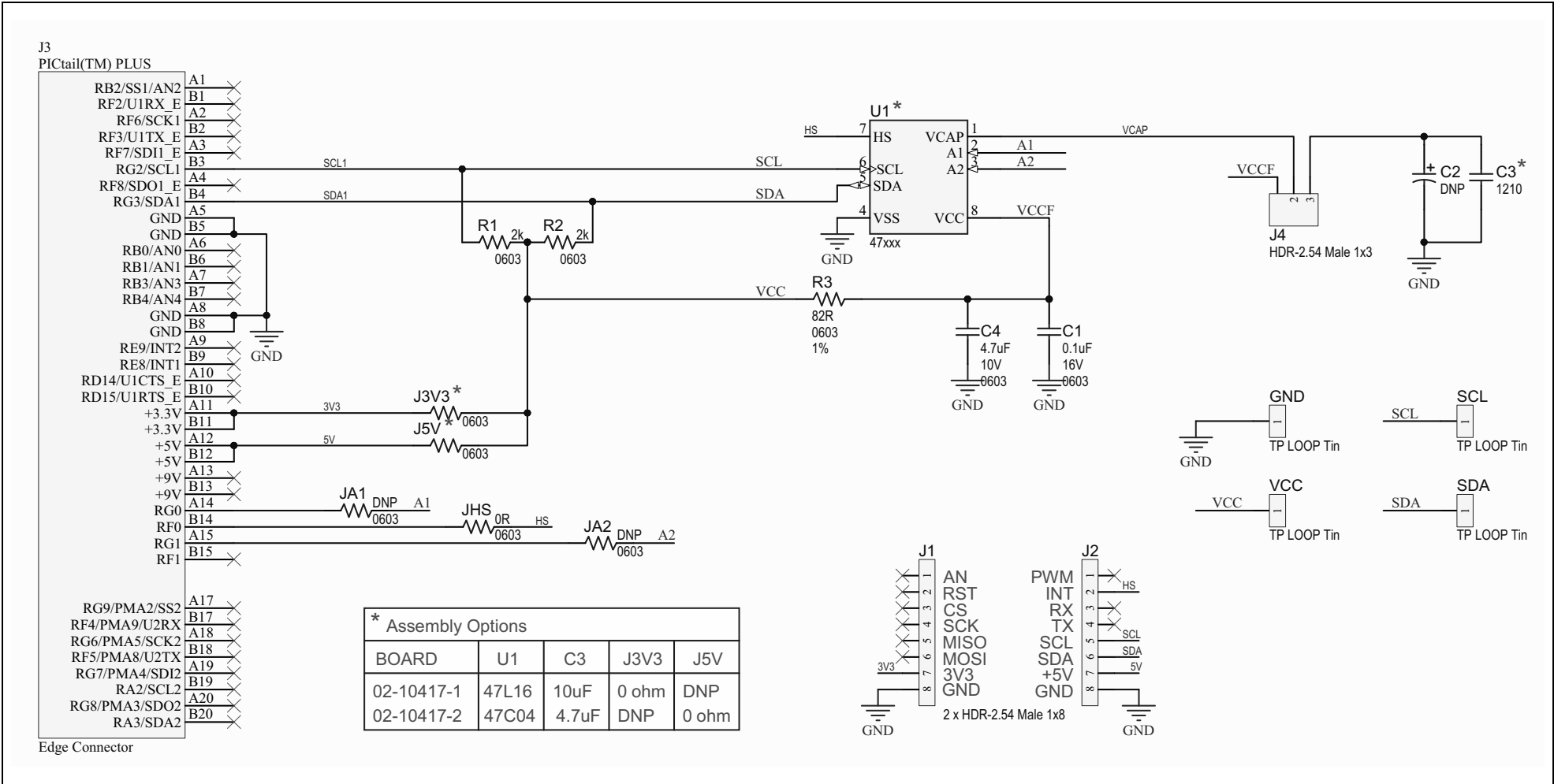
[www.microchip.com](http://www.microchip.com)

The Microchip name and logo, the Microchip logo, PIC and MPLAB are registered trademarks of Microchip Technology Incorporated in the U.S.A. and other countries. All other trademarks mentioned herein are property of their respective companies. © 2016, Microchip Technology Incorporated. All Rights Reserved.

DS20005471C

I<sup>2</sup>C EERAM PICtail™ Plus Daughter Board with mikroBUS™ Connector Information Sheet

I<sup>2</sup>C EERAM PICtail™ Plus Schematic



## X-ON Electronics

Largest Supplier of Electrical and Electronic Components

*Click to view similar products for [Memory IC Development Tools](#) category:*

*Click to view products by [Microchip](#) manufacturer:*

Other Similar products are found below :

[HLDC-DDR3-A](#) [254](#) [DS1961K#](#) [HLDC-DDR4-4GB-A](#) [HTFLASHEVM](#) [1569](#) [1897](#) [AC500100](#) [AC243008](#) [AC243009](#) [1895](#) [254](#) [2574](#)  
[4682](#) [4718](#) [4719](#) [939](#) [HLDC-DDR4-A](#) [HLDC-QDRIV-A](#) [ASX00008](#) [CY14NVS RAMKIT-001](#) [CY15FRAMKIT-002](#) [CF02-F9-ILAT06-](#)  
[M01](#) [USB02-U9-RBB06-M01](#) [USB06-U8-RB1Q03-M01](#) [DS28E05EVKIT#](#) [AC243003](#) [AC243005-1](#) [AC500101](#) [DM160232](#) [DV243003](#)  
[MIKROE-3641](#) [MIKROE-3762](#) [MIKROE-3780](#) [MIKROE-3817](#) [MIKROE-4067](#) [MIKROE-4129](#) [MIKROE-4178](#) [MIKROE-4232](#) [MIKROE-](#)  
[4293](#) [MIKROE-4421](#) [MIKROE-4440](#) [MIKROE-1199](#) [MIKROE-1200](#) [MIKROE-1486](#) [MIKROE-1902](#) [MIKROE-1909](#) [MIKROE-2267](#)  
[MIKROE-2374](#) [MIKROE-2536](#)