



**MICROCHIP**

---

**MCP6421**  
**Electromagnetic Interference**  
**Rejection Ratio**  
**Evaluation Board**  
**User's Guide**

---

**Note the following details of the code protection feature on Microchip devices:**

- Microchip products meet the specification contained in their particular Microchip Data Sheet.
- Microchip believes that its family of products is one of the most secure families of its kind on the market today, when used in the intended manner and under normal conditions.
- There are dishonest and possibly illegal methods used to breach the code protection feature. All of these methods, to our knowledge, require using the Microchip products in a manner outside the operating specifications contained in Microchip's Data Sheets. Most likely, the person doing so is engaged in theft of intellectual property.
- Microchip is willing to work with the customer who is concerned about the integrity of their code.
- Neither Microchip nor any other semiconductor manufacturer can guarantee the security of their code. Code protection does not mean that we are guaranteeing the product as "unbreakable."

Code protection is constantly evolving. We at Microchip are committed to continuously improving the code protection features of our products. Attempts to break Microchip's code protection feature may be a violation of the Digital Millennium Copyright Act. If such acts allow unauthorized access to your software or other copyrighted work, you may have a right to sue for relief under that Act.

---

Information contained in this publication regarding device applications and the like is provided only for your convenience and may be superseded by updates. It is your responsibility to ensure that your application meets with your specifications. MICROCHIP MAKES NO REPRESENTATIONS OR WARRANTIES OF ANY KIND WHETHER EXPRESS OR IMPLIED, WRITTEN OR ORAL, STATUTORY OR OTHERWISE, RELATED TO THE INFORMATION, INCLUDING BUT NOT LIMITED TO ITS CONDITION, QUALITY, PERFORMANCE, MERCHANTABILITY OR FITNESS FOR PURPOSE. Microchip disclaims all liability arising from this information and its use. Use of Microchip devices in life support and/or safety applications is entirely at the buyer's risk, and the buyer agrees to defend, indemnify and hold harmless Microchip from any and all damages, claims, suits, or expenses resulting from such use. No licenses are conveyed, implicitly or otherwise, under any Microchip intellectual property rights.

**Trademarks**

The Microchip name and logo, the Microchip logo, dsPIC, FlashFlex, KEELOQ, KEELOQ logo, MPLAB, PIC, PICmicro, PICSTART, PIC<sup>32</sup> logo, rfPIC, SST, SST Logo, SuperFlash and UNI/O are registered trademarks of Microchip Technology Incorporated in the U.S.A. and other countries.

FilterLab, Hampshire, HI-TECH C, Linear Active Thermistor, MTP, SEEVAL and The Embedded Control Solutions Company are registered trademarks of Microchip Technology Incorporated in the U.S.A.

Silicon Storage Technology is a registered trademark of Microchip Technology Inc. in other countries.


Analog-for-the-Digital Age, Application Maestro, BodyCom, chipKIT, chipKIT logo, CodeGuard, dsPICDEM, dsPICDEM.net, dsPICworks, dsSPEAK, ECAN, ECONOMONITOR, FanSense, HI-TIDE, In-Circuit Serial Programming, ICSP, Mindi, MiWi, MPASM, MPF, MPLAB Certified logo, MPLIB, MPLINK, mTouch, Omniscent Code Generation, PICC, PICC-18, PICDEM, PICDEM.net, PICkit, PICtail, REAL ICE, rLAB, Select Mode, SQI, Serial Quad I/O, Total Endurance, TSHARC, UniWinDriver, WiperLock, ZENA and Z-Scale are trademarks of Microchip Technology Incorporated in the U.S.A. and other countries.

SQTP is a service mark of Microchip Technology Incorporated in the U.S.A.

GestIC and ULPP are registered trademarks of Microchip Technology Germany II GmbH & Co. KG, a subsidiary of Microchip Technology Inc., in other countries.

All other trademarks mentioned herein are property of their respective companies.

© 2013, Microchip Technology Incorporated, Printed in the U.S.A., All Rights Reserved.

 Printed on recycled paper.

ISBN: 978-1-62077-381-9

**QUALITY MANAGEMENT SYSTEM**  
**CERTIFIED BY DNV**  
**== ISO/TS 16949 ==**

*Microchip received ISO/TS-16949:2009 certification for its worldwide headquarters, design and wafer fabrication facilities in Chandler and Tempe, Arizona; Gresham, Oregon and design centers in California and India. The Company's quality system processes and procedures are for its PIC<sup>®</sup> MCUs and dsPIC<sup>®</sup> DSCs, KEELOQ<sup>®</sup> code hopping devices, Serial EEPROMs, microperipherals, nonvolatile memory and analog products. In addition, Microchip's quality system for the design and manufacture of development systems is ISO 9001:2000 certified.*

# MCP6421 EMIRR Evaluation Board User's Guide

---

---

Object of Declaration: MCP6421 EMIRR Evaluation Board

## EU Declaration of Conformity

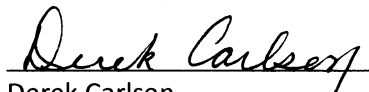
This declaration of conformity is issued by the manufacturer.

The development/evaluation tool is designed to be used for research and development in a laboratory environment. This development/evaluation tool is not a Finished Appliance, nor is it intended for incorporation into Finished Appliances that are made commercially available as single functional units to end users under EU EMC Directive 2004/108/EC and as supported by the European Commission's Guide for the EMC Directive 2004/108/EC (8<sup>th</sup> February 2010).

This development/evaluation tool complies with EU RoHS2 Directive 2011/65/EU.

For information regarding the exclusive, limited warranties applicable to Microchip products, please see Microchip's standard terms and conditions of sale, which are printed on our sales documentation and available at [www.microchip.com](http://www.microchip.com).

Signed for and on behalf of Microchip Technology Inc. at Chandler, Arizona, USA



Derek Carlson

VP Development Tools

16-July-2013

Date

# MCP6421 EMIRR Evaluation Board User's Guide

---

---

NOTES:



# MCP6421 EMIRR EVALUATION BOARD USER'S GUIDE

---

---

## Table of Contents

---

---

<b>Preface</b> .....	<b>7</b>
Introduction.....	7
Document Layout .....	7
Conventions Used in this Guide .....	8
Recommended Reading.....	9
The Microchip Web Site .....	9
Customer Support .....	9
Document Revision History .....	9
<b>Chapter 1. Product Overview</b>	
1.1 Introduction .....	11
1.2 MCP6421 EMIRR Evaluation Board Description .....	11
1.3 MCP6421 EMIRR Evaluation Board Kit Contents .....	12
<b>Chapter 2. Installation and Operation</b>	
2.1 Introduction .....	13
2.2 Required Tools .....	13
2.3 MCP6421 EMIRR Evaluation Board Setup .....	13
2.4 MCP6421 EMIRR Evaluation Board Operation .....	17
<b>Appendix A. Schematic and Layouts</b>	
A.1 Introduction .....	19
A.2 Board – Schematic .....	20
A.3 Board – Top Silk .....	21
A.4 Board – Top Copper and Silk .....	21
A.5 Board – Top Copper .....	22
A.6 Board – Bottom Copper and Silk .....	22
A.7 Board – Bottom Silk .....	23
<b>Appendix B. Bill of Materials (BOM)</b>	
<b>Worldwide Sales and Service</b> .....	<b>26</b>

---

---

**NOTES:**

---

---

## Preface

---

---

### NOTICE TO CUSTOMERS

All documentation becomes dated, and this manual is no exception. Microchip tools and documentation are constantly evolving to meet customer needs, so some actual dialogs and/or tool descriptions may differ from those in this document. Please refer to our web site ([www.microchip.com](http://www.microchip.com)) to obtain the latest documentation available.

Documents are identified with a “DS” number. This number is located on the bottom of each page, in front of the page number. The numbering convention for the DS number is “DSXXXXA”, where “XXXX” is the document number and “A” is the revision level of the document.

For the most up-to-date information on development tools, see the MPLAB® IDE online help. Select the Help menu, and then Topics to open a list of available online help files.

## INTRODUCTION

This chapter contains general information that will be useful to know before using the MCP6421 EMIRR Evaluation Board. Items discussed in this chapter include:

- Document Layout
- Conventions Used in this Guide
- Recommended Reading
- The Microchip Web Site
- Customer Support
- Document Revision History

## DOCUMENT LAYOUT

This document describes how to use the MCP6421 EMIRR Evaluation Board as a development tool to emulate and debug firmware on a target board. The manual layout is as follows:

- **Chapter 1. “Product Overview”** – Important information about the MCP6421 EMIRR Evaluation Board.
- **Chapter 2. “Installation and Operation”** – Includes instructions on how to set up and operate the MCP6421 EMIRR Evaluation Board.
- **Appendix A. “Schematic and Layouts”** – Shows the schematic and layout diagrams for the MCP6421 EMIRR Evaluation Board.
- **Appendix B. “Bill of Materials (BOM)”** – Lists the parts used to build the MCP6421 EMIRR Evaluation Board.

## CONVENTIONS USED IN THIS GUIDE

This manual uses the following documentation conventions:

### DOCUMENTATION CONVENTIONS

Description	Represents	Examples
<b>Arial font:</b>		
Italic characters	Referenced books	<i>MPLAB<sup>®</sup> IDE User's Guide</i>
	Emphasized text	...is the <i>only</i> compiler...
Initial caps	A window	the Output window
	A dialog	the Settings dialog
	A menu selection	select Enable Programmer
Quotes	A field name in a window or dialog	"Save project before build"
Underlined, italic text with right angle bracket	A menu path	<u><i>File&gt;Save</i></u>
Bold characters	A dialog button	Click <b>OK</b>
	A tab	Click the <b>Power</b> tab
N'Rnnnn	A number in verilog format, where N is the total number of digits, R is the radix and n is a digit.	4'b0010, 2'hF1
Text in angle brackets < >	A key on the keyboard	Press <Enter>, <F1>
<b>Courier New font:</b>		
Plain Courier New	Sample source code	#define START
	Filenames	autoexec.bat
	File paths	c:\mcc18\h
	Keywords	_asm, _endasm, static
	Command-line options	-Opa+, -Opa-
	Bit values	0, 1
	Constants	0xFF, 'A'
Italic Courier New	A variable argument	<i>file.o</i> , where <i>file</i> can be any valid filename
Square brackets [ ]	Optional arguments	mcc18 [options] <i>file</i> [options]
Curly brackets and pipe character: {   }	Choice of mutually exclusive arguments; an OR selection	errorlevel {0 1}
Ellipses...	Replaces repeated text	var_name [, var_name...]
	Represents code supplied by user	void main (void) { ... }



# MCP6421 EMIRR Evaluation Board User's Guide

---

## RECOMMENDED READING

This user's guide describes how to use MCP6421 EMIRR Evaluation Board. Other useful documents are listed below. The following Microchip document is available and recommended as a supplemental reference resource.

- **MCP6421 Data Sheet – “4.4  $\mu$ A, 90 kHz Op Amp” (DS25165)**

## THE MICROCHIP WEB SITE

Microchip provides online support via our web site at [www.microchip.com](http://www.microchip.com). This web site is used as a means to make files and information easily available to customers. Accessible by using your favorite Internet browser, the web site contains the following information:

- **Product Support** – Data sheets and errata, application notes and sample programs, design resources, user's guides and hardware support documents, latest software releases and archived software
- **General Technical Support** – Frequently Asked Questions (FAQs), technical support requests, online discussion groups, Microchip consultant program member listing
- **Business of Microchip** – Product selector and ordering guides, latest Microchip press releases, listing of seminars and events, listings of Microchip sales offices, distributors and factory representatives

## CUSTOMER SUPPORT

Users of Microchip products can receive assistance through several channels:

- Distributor or Representative
- Local Sales Office
- Field Application Engineer (FAE)
- Technical Support

Customers should contact their distributor, representative or field application engineer (FAE) for support. Local sales offices are also available to help customers. A listing of sales offices and locations is included in the back of this document.

Technical support is available through the web site at:

<http://www.microchip.com/support>

## DOCUMENT REVISION HISTORY

### Revision A (August 2013)

- Initial Release of this Document.

NOTES:

## Chapter 1. Product Overview

### 1.1 INTRODUCTION

The MCP6421 EMIRR Evaluation Board is described as follows:

- Assembly #: ADM00443
- Order #: MCP6421EV-EMIRR
- Name: MCP6421 EMIRR Evaluation Board

Items discussed in this chapter include:

- MCP6421 EMIRR Evaluation Board Description
- MCP6421 EMIRR Evaluation Board Kit Contents

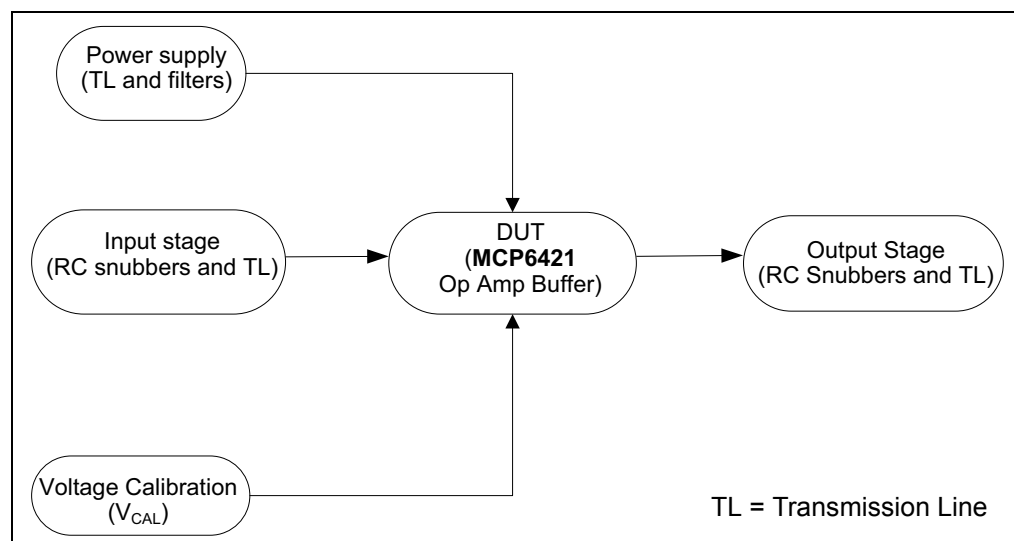
### 1.2 MCP6421 EMIRR EVALUATION BOARD DESCRIPTION

The MCP6421 EMIRR Evaluation Board is intended to support the electromagnetic interference rejection ratio (EMIRR) measurement and to show the electromagnetic interference (EMI) rejection capability of the MCP6421 operational amplifier.

The MCP6421 EMIRR Evaluation Board has the following features:

- All of the component labels on the board are consistent with those on the schematic
- Supports the MCP6421 single op amp SC70-5 package from Microchip Technology, Inc.
- Test points for connection to lab equipment
- Single supply or dual-supply configuration

Figure 1-1 shows the block diagram of the MCP6421 EMIRR Evaluation Board. Lab equipment can be attached (via test points) to measure the EMIRR response.



**FIGURE 1-1:** MCP6421 EMIRR Evaluation Board – Block Diagram.

## 1.3 MCP6421 EMIRR EVALUATION BOARD KIT CONTENTS

This MCP6421 EMIRR Evaluation Board kit includes:

- MCP6421 EMIRR Evaluation Board (ADM00443)
- Important Information Sheet



FIGURE 1-2: MCP6421 EMIRR Evaluation Board.

## Chapter 2. Installation and Operation

### 2.1 INTRODUCTION

This chapter shows how to set up the MCP6421EMIRR Evaluation Board. Topics discussed in this chapter include:

- Required Tools
- MCP6421 EMIRR Evaluation Board Setup
- MCP6421 EMIRR Evaluation Board Operation

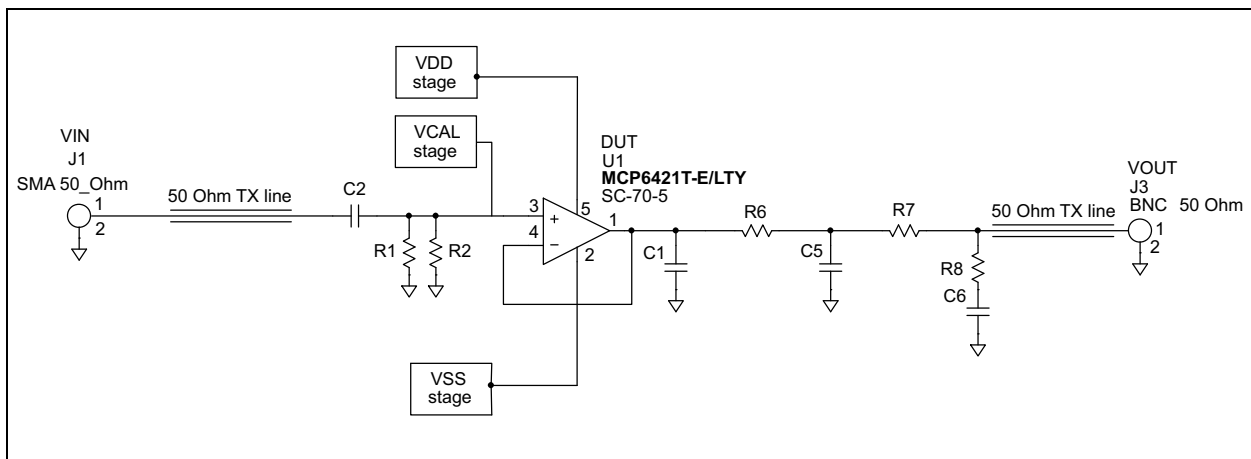
### 2.2 REQUIRED TOOLS

The following tools are required for testing the functionality of the board:

- Lab power supply
- High-frequency function generator
- Lab measurement equipment (e.g., network analyzer)

### 2.3 MCP6421 EMIRR EVALUATION BOARD SETUP

The MCP6421 EMIRR Evaluation Board uses a single op amp in buffer configuration with RC snubbers as terminations. [Figure 2-1](#) shows the circuit diagram for the board.



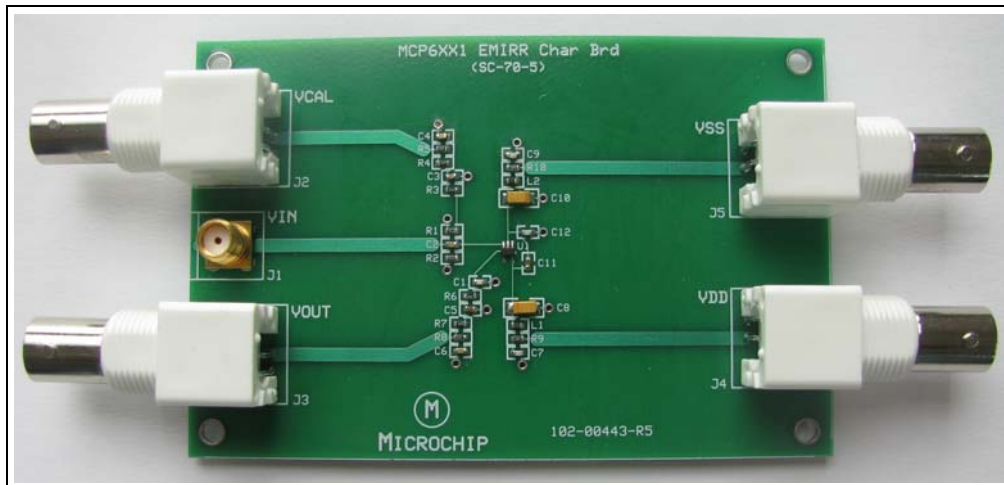
**FIGURE 2-1:** MCP6421 EMIRR Evaluation Board Circuit Diagram.

The power supply voltage needs to be within the allowed range for the op amp. The MCP6421 op amp supports a maximum of 5.5V power supply. Power supply is ensured by a 50Ω transmission line and by LC filters to minimize noise injection (see [Figure 2-3](#)).

All component labels on the board are consistent with those on the schematic. The op amp uses the SC70-5 package.

# Installation and Operation

The BNC and SMA connectors for the power supply, ground, input signals, output signals, and voltage calibration allow the lab equipment to be connected to the board. The MCP6421 EMIRR Evaluation Board top view is shown in [Figure 2-2](#).

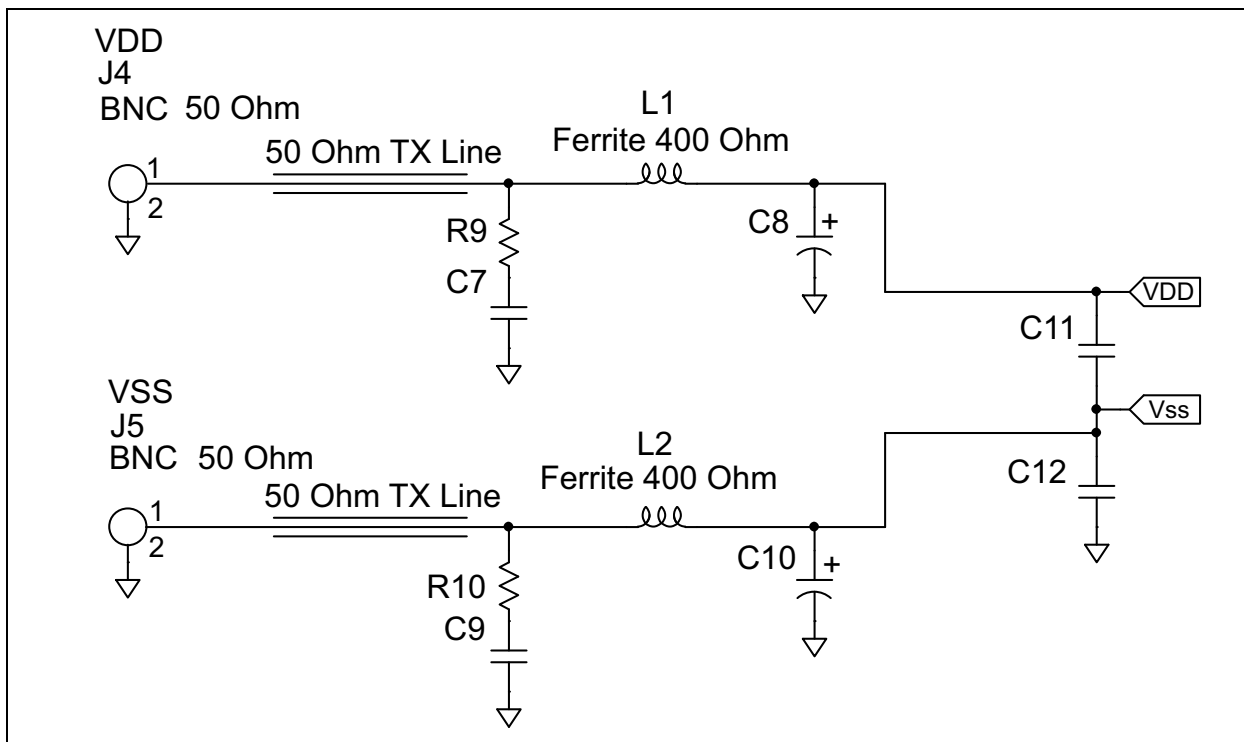


**FIGURE 2-2:** MCP6421 EMIRR Evaluation Board Top View.

## 2.3.1 Top Level Amplifier Circuit Diagram

### 2.3.1.1 POWER SUPPLY BLOCK

The op amp is biased by a 50Ω transmission line, RC snubbers and LC low-pass filter to reject high-frequency power supply noise. [Figure 2-3](#) shows the circuit diagram for the power supply, where  $R9 = R10 = 49.9\Omega$ ,  $C7 = C9 = C12 = 100\text{ pF}$ ,  $C8 = C10 = 10\text{ }\mu\text{F}$ ,  $C11 = 100\text{ nF}$  and  $L1 = L2 = 470\Omega$  ferrite.

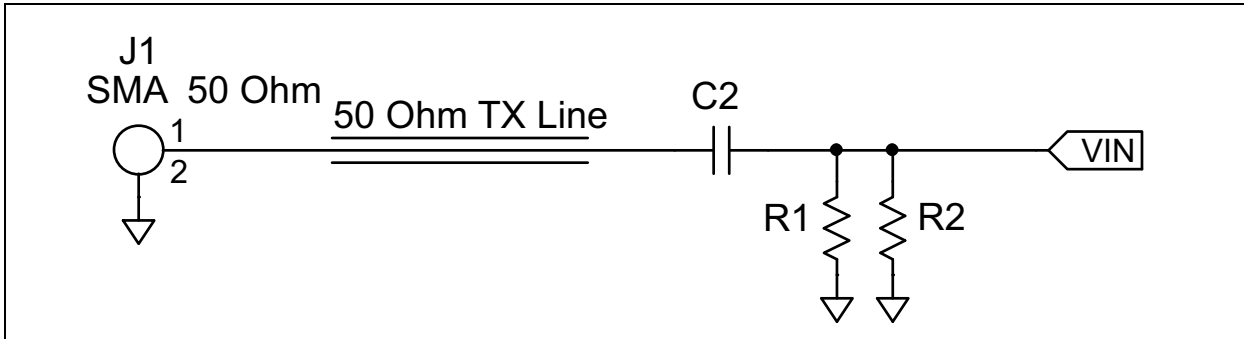


**FIGURE 2-3:** Circuit Diagram for Power Supply.

# MCP6421 EMIRR Evaluation Board User's Guide

## 2.3.1.2 INPUT STAGE

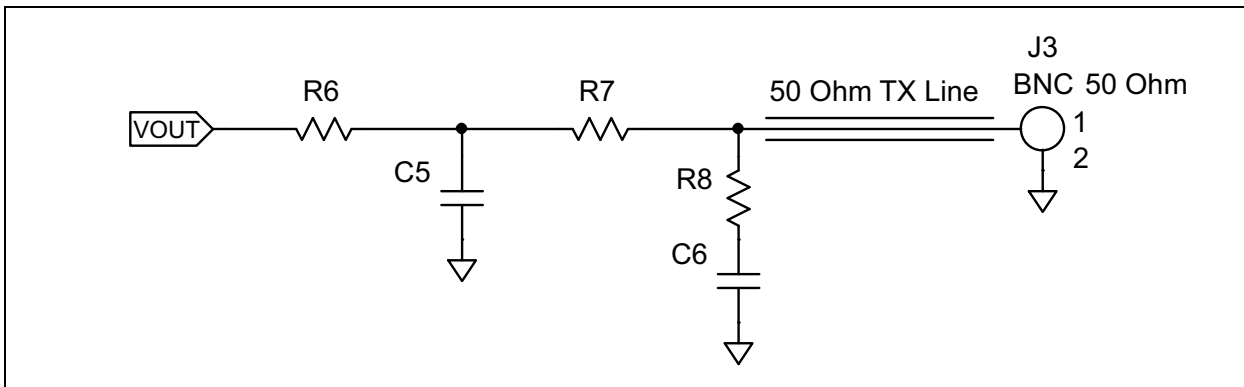
The input section consists of a 50Ω transmission line to match the output impedance of the signal generator and a capacitor to couple AC signal and two parallel resistors that give 50Ω input impedance at the op amp input. The AC coupled input signal minimizes changes in the DC input offset. [Figure 2-4](#) shows the circuit diagram for the input section ( $R1 = R2 = 100\Omega$ ,  $C2 = 10\text{ nF}$ ).



**FIGURE 2-4:** *Input Stage Block.*

## 2.3.1.3 OUTPUT STAGE

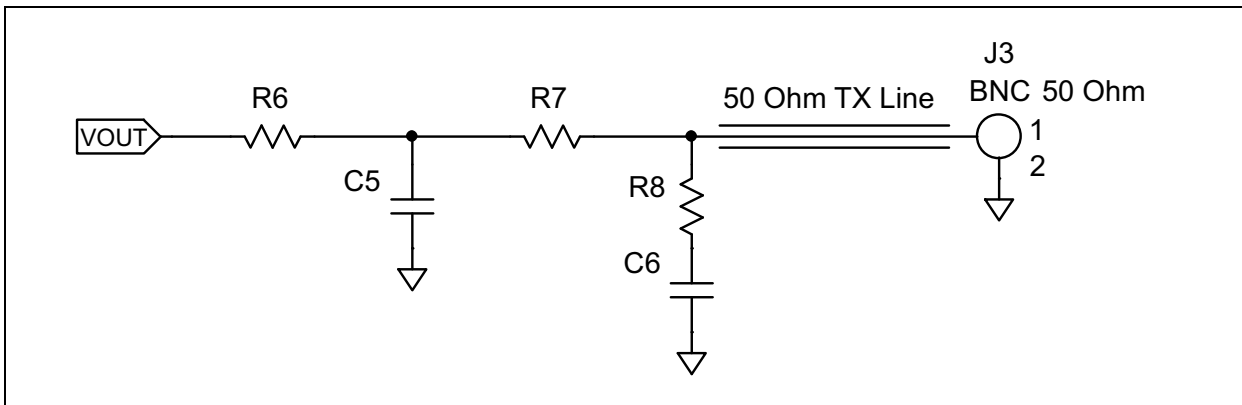
The output section consists of a 50Ω transmission line to match the input of the network analyzer and to minimize the inductance, antenna effects and disturbance effects, and a double pole RC low-pass filter to minimize DC loading and crosstalk. [Figure 2-5](#) shows the circuit diagram of the output section ( $R6 = R7 = 10\text{ k}\Omega$ ,  $R8 = 49.9\Omega$ ,  $C5 = 100\text{ nF}$ ,  $C6 = 10\text{ nF}$ ).



**FIGURE 2-5:** *Output Stage Block.*

## 2.3.1.4 CALIBRATION STAGE

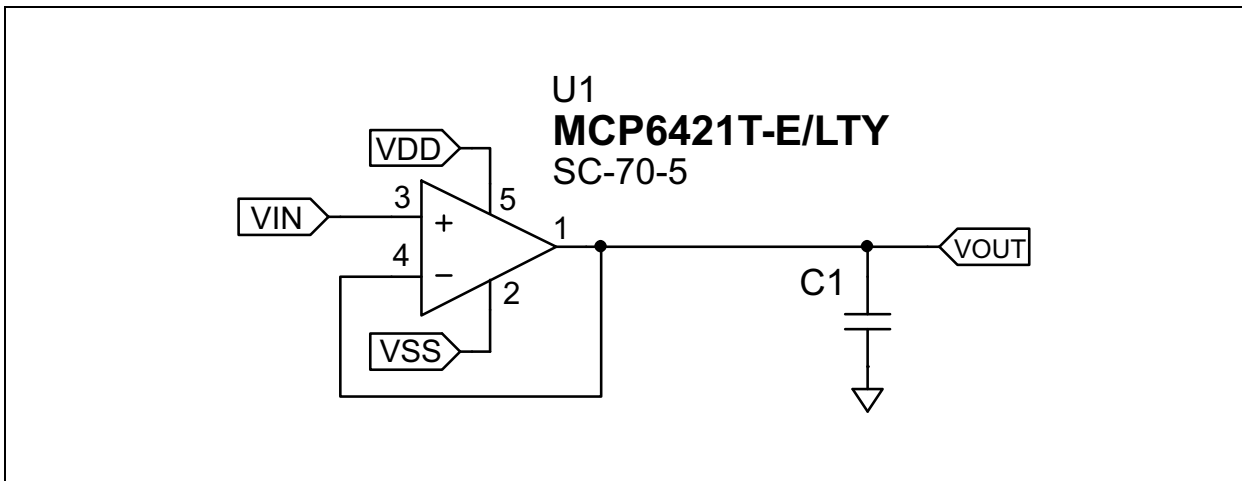
The calibration stage consists of a 50Ω transmission line and a double pole RC low-pass filter, and is the same as the output stage. The calibration stage provides a DC output from  $V_{IN}$ , after the coupling capacitor, measuring the op amp offset without input signal. Measure the 2<sup>nd</sup> harmonic distortion (HD2) for the AC source to offset conversion versus frequency and power without populating the op amp, and correct the DC output from  $V_{OUT}$  using both calibration measurements. Figure 2-6 shows the circuit diagram of the calibration stage ( $C4 = 10$  nF,  $C3 = 100$  nF,  $R5 = 49.9\Omega$  and  $R3 = R4 = 10$  kΩ).



**FIGURE 2-6:** Circuit Diagram for Calibration Stage.

## 2.3.1.5 DEVICE UNDER TEST (DUT) STAGE

The DUT block consists of an op amp in buffer configuration with one capacitor on the output. Figure 2-7 shows the circuit diagram of the DUT buffer block. The output capacitor ( $C1 = 22$  pF) and parasitic layout capacitance present an output capacitive load of about 30 pF (standard condition for the data sheet specs).



**FIGURE 2-7:** Circuit Diagram for Device Under Test Buffer Block.



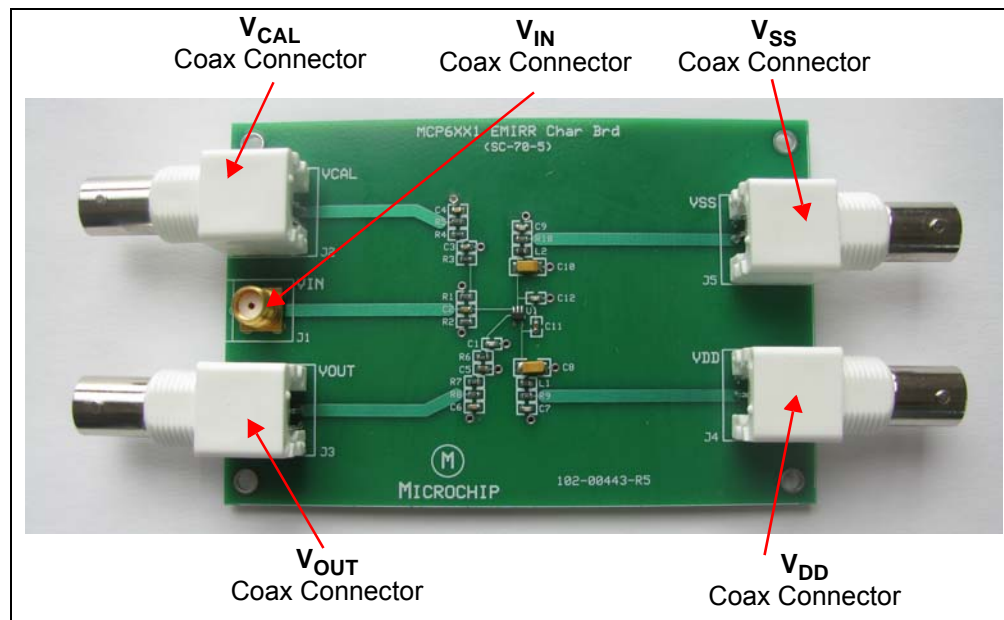
# MCP6421 EMIRR Evaluation Board User's Guide

## 2.4 MCP6421 EMIRR EVALUATION BOARD OPERATION

### 2.4.1 Testing the Amplifier

#### 2.4.1.1 CHECKING THE COAX CONNECTORS

The coax connectors for the power supply, ground, input signals and output signals allow lab equipment to be connected to the board. Figure 2-8 shows the coax connectors to be checked.



**FIGURE 2-8:** Check-in Coax Connectors.

#### 2.4.1.2 BOARD VALIDATION

This board was built, and its responses were measured. All resistors have 1% tolerance. The capacitors have 5% and 10% tolerance.

##### 2.4.1.2.1 Measurements Results

In Bench Measurement:

- $V_{DD} = 5.5V$
- $V_{CAL}$
- The amplifier's gain is 1 V/V

Measure the EMIRR versus frequency. The level of the input signal is 100 mVpp.

Measure the EMIRR as function of the level of the input signal. The frequency of the input signal needs to have the following values: 400 MHz, 900 MHz, 1800 MHz, 2400 MHz.

The EMIRR definition is:

#### EQUATION 2-1:

$$EMIRR(dB) = 20 \cdot \log\left(\frac{V_{RF}}{\Delta V_{OS}}\right)$$

Where:

- $V_{RF}$  = Peak Amplitude of RF Interfering signal ( $V_{PK}$ )
- $\Delta V_{OS}$  = Input Offset Voltage Shift (V)

Figure 2-9 shows the result of EMIRR versus frequency.

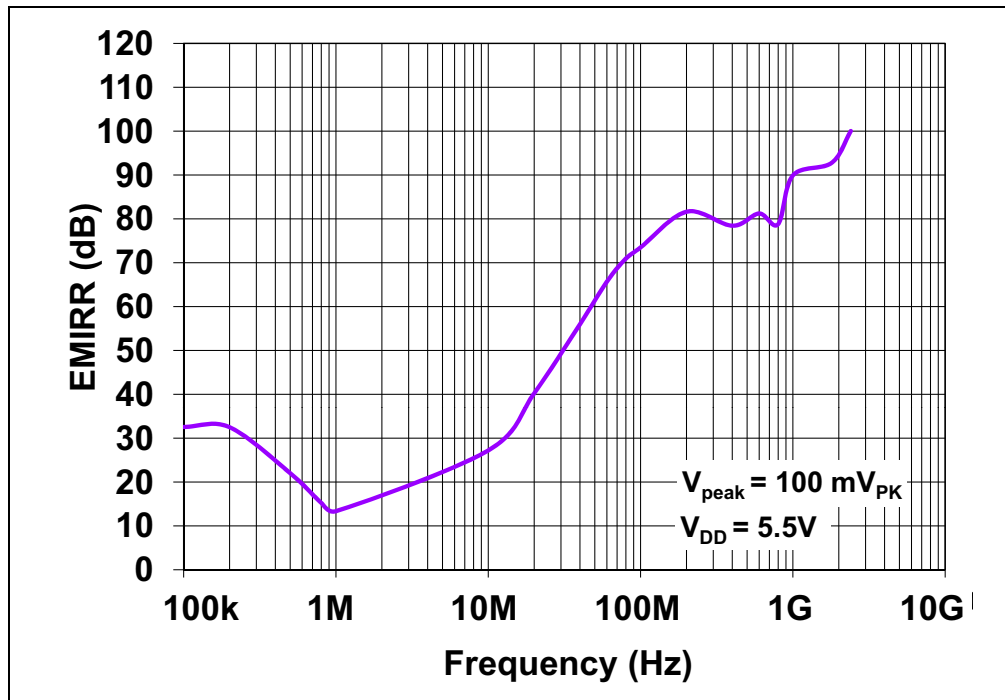


FIGURE 2-9: Measurement of EMIRR versus Frequency.

Figure 2-10 shows the result of EMIRR versus RF input peak voltage.

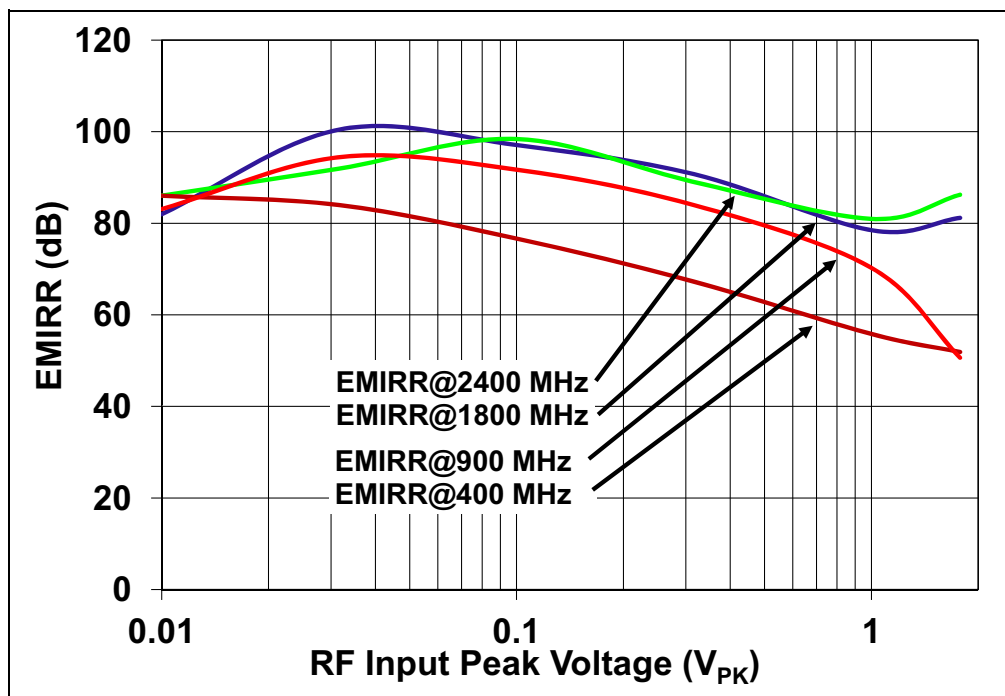


FIGURE 2-10: Measurement of EMIRR versus RF Input Peak Voltage.

---

---

## **Appendix A. Schematic and Layouts**

---

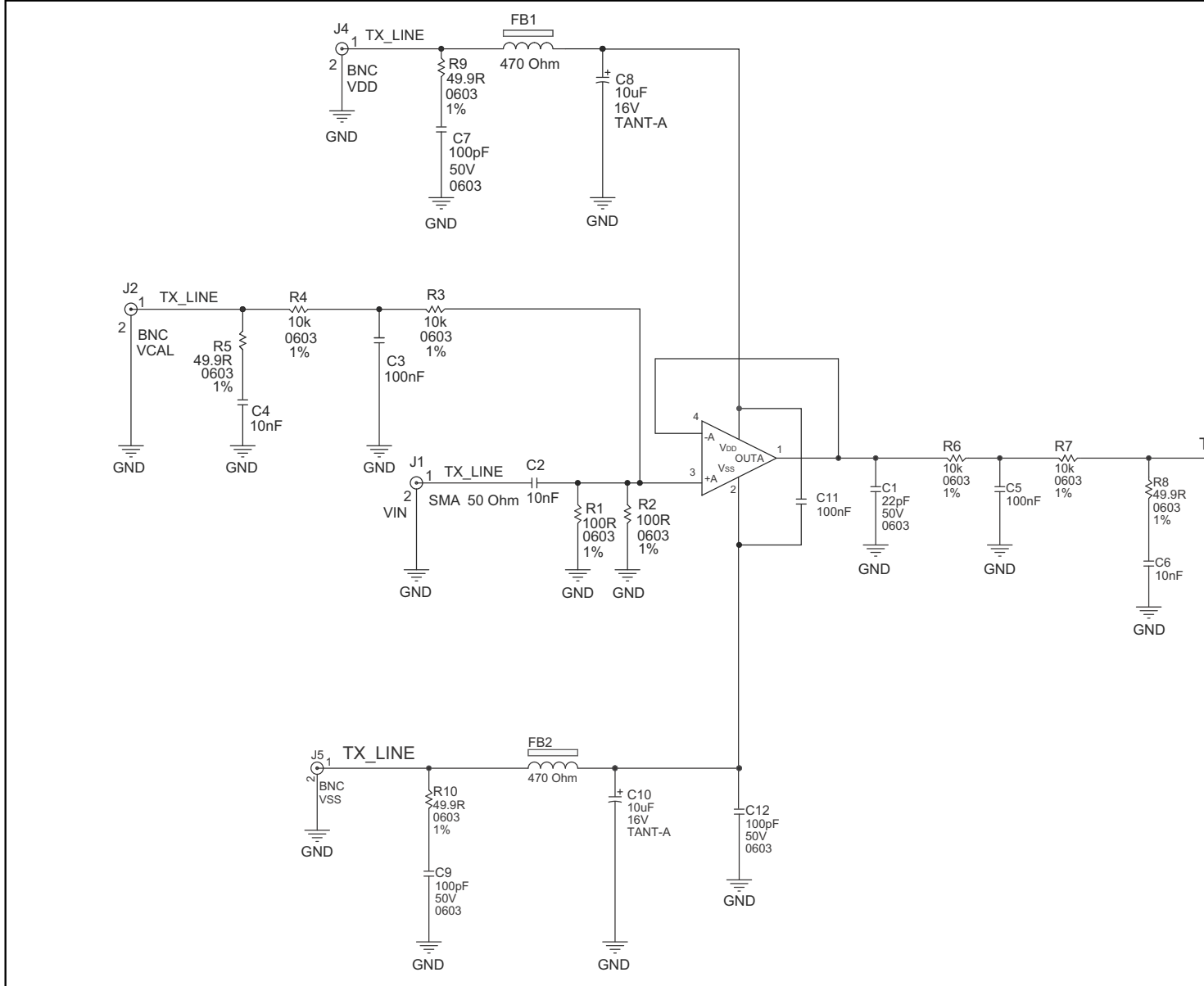
---

### **A.1 INTRODUCTION**

This appendix contains the following schematics and layouts for the MCP6421 EMIRR Evaluation Board:

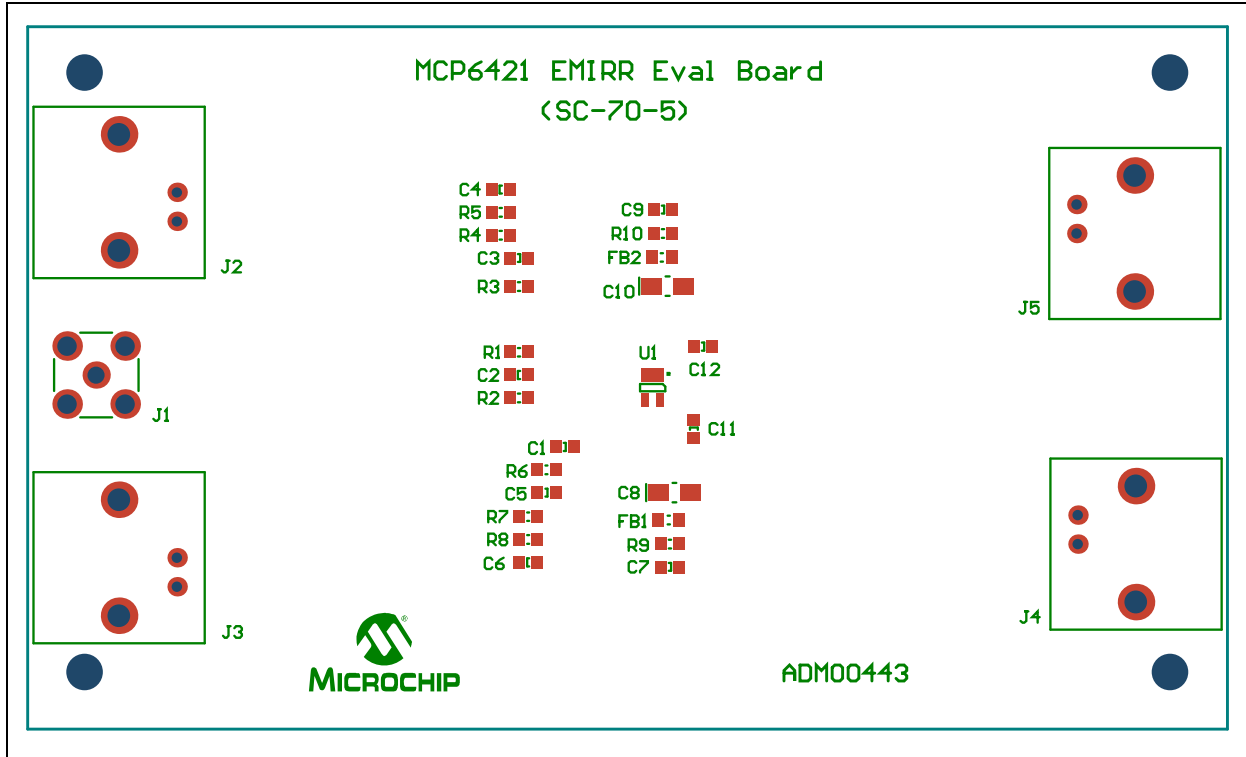
- Board – Schematic
- Board – Top Silk
- Board – Top Copper and Silk
- Board – Top Copper
- Board – Bottom Copper and Silk
- Board – Bottom Silk

### A.2 BOARD – SCHEMATIC

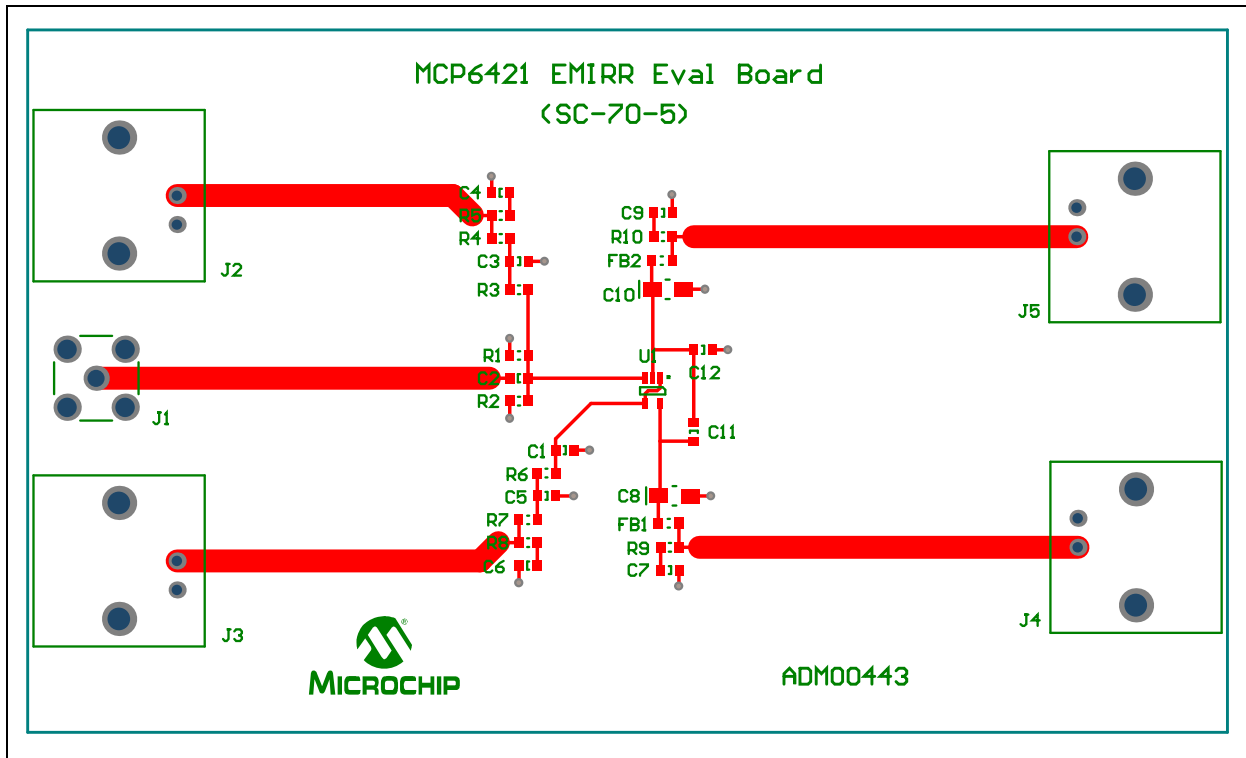


# MCP6421 EMIRR Evaluation Board User's Guide

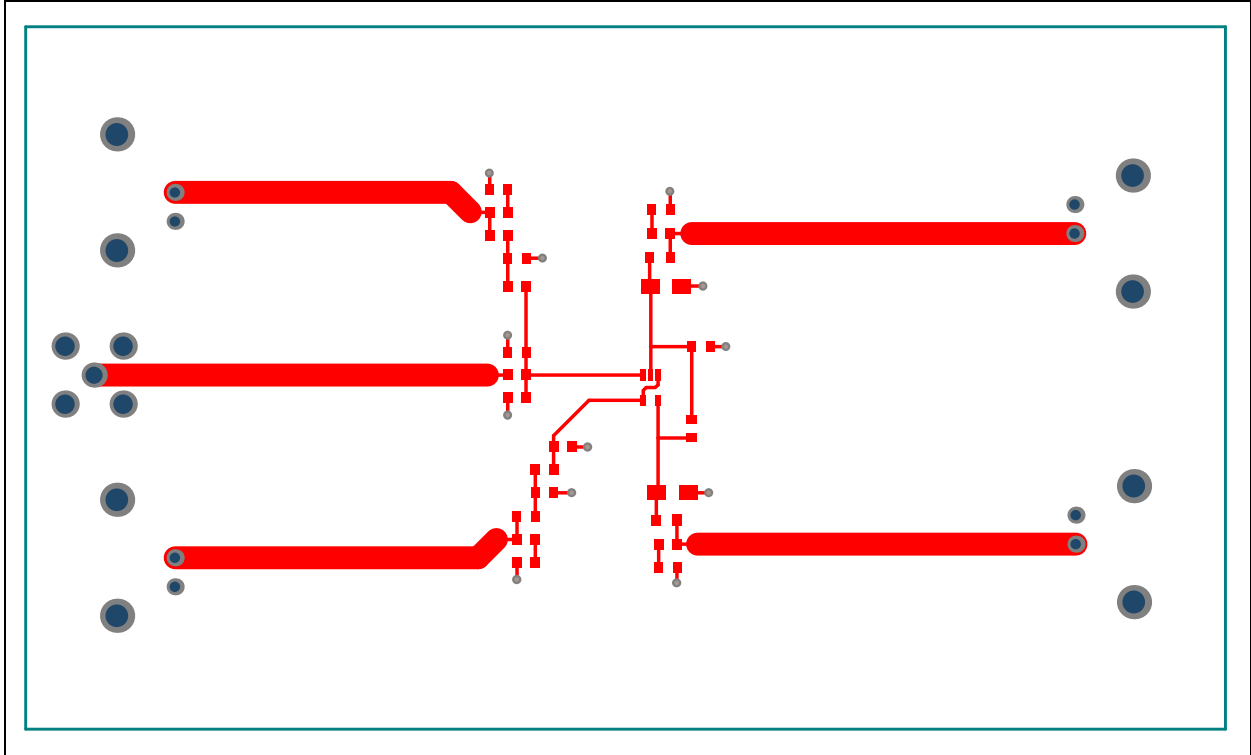
## A.3 BOARD – TOP SILK



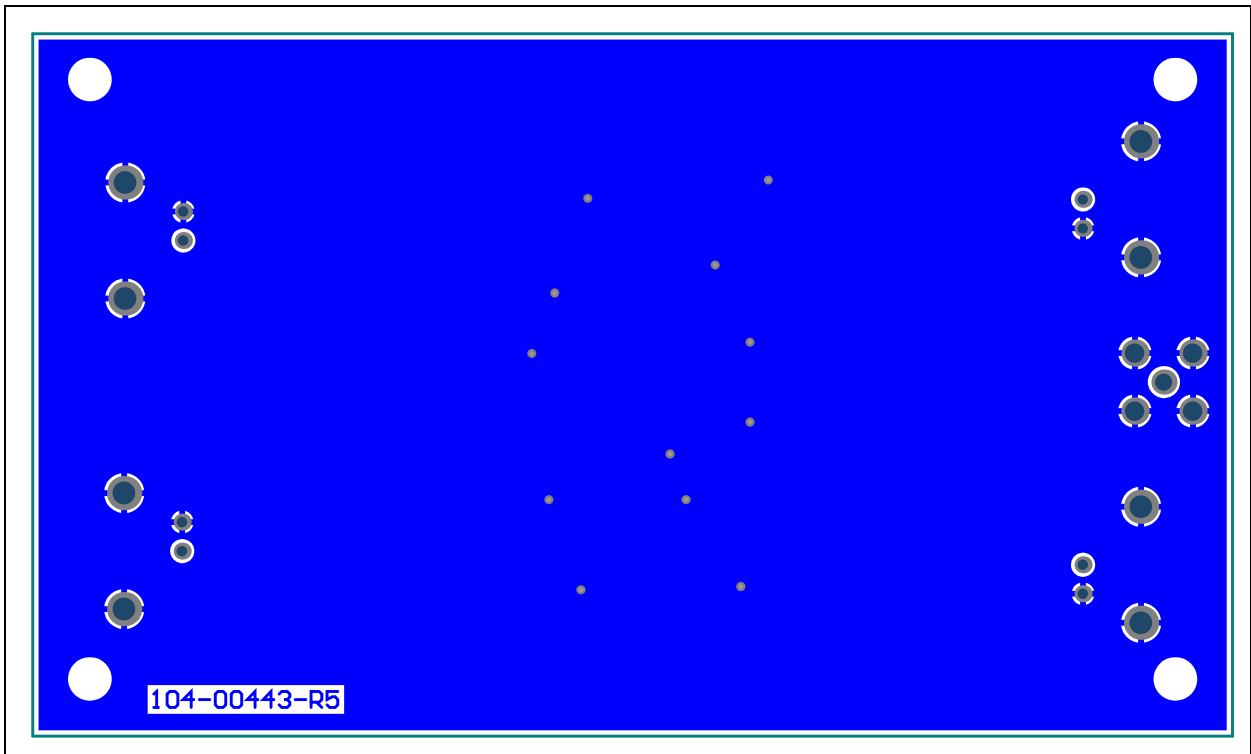
## A.4 BOARD – TOP COPPER AND SILK



## A.5 BOARD – TOP COPPER



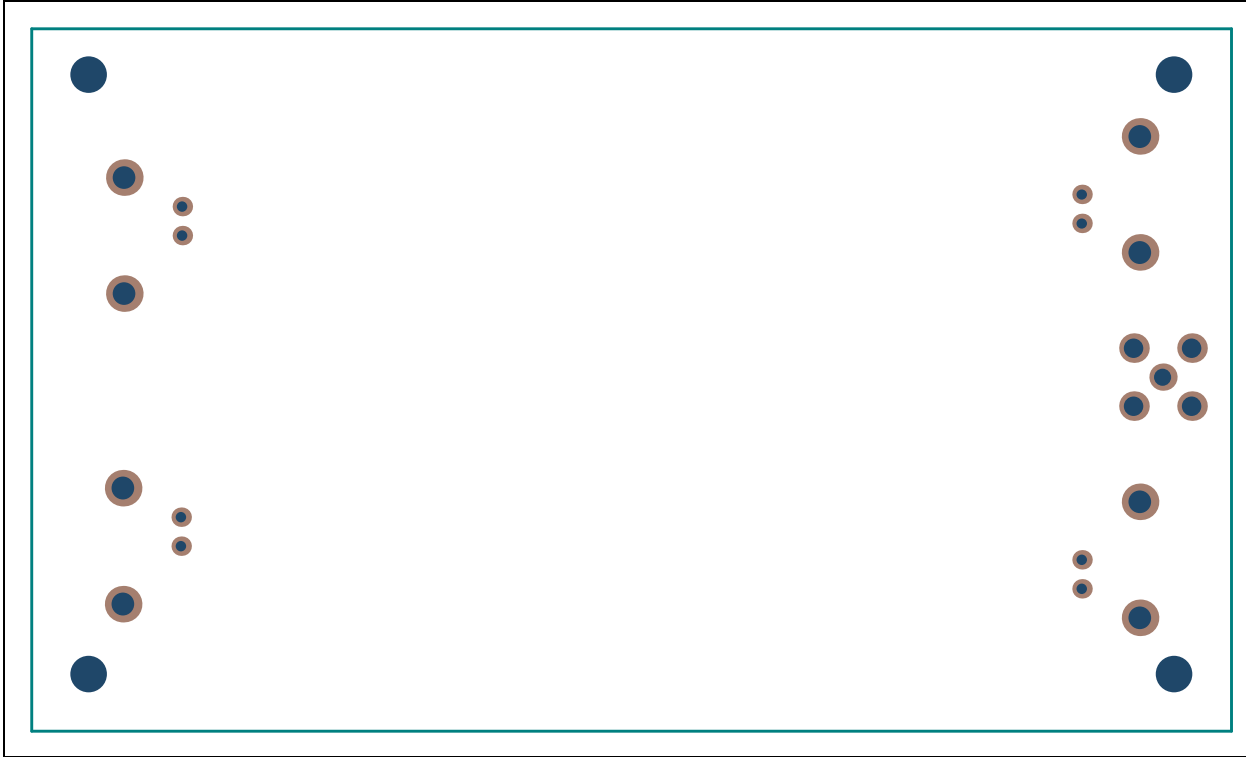
## A.6 BOARD – BOTTOM COPPER AND SILK



# MCP6421 EMIRR Evaluation Board User's Guide

---

## A.7 BOARD – BOTTOM SILK



NOTES:



**Appendix B. Bill of Materials (BOM)**

**TABLE B-1: BILL OF MATERIALS (BOM)**

Qty	Reference	Description	Manufacturer	Part Number
1	C1	Cap. cer. 22 pF 50V 5% NP0 SMD 0603	Panasonic® - ECG	ECU-V1H220JCV
3	C2, C4, C6	Cap. cer. 10000 pF 50V 10% X7R 0603	AVX Corporation	06035C103KAT2A
3	C3, C5, C11	Cap. cer. 0.1 µF 50V 10% X7R 0603	AVX Corporation	06035C104KAT2A
3	C7, C9, C12	Cap. cer. 100 pF 50V 5% NP0 SMD 0603	Panasonic	ECU-V1H101JCV
2	C8, C10	Cap. Tant. 10 µF 16V 10% 3Ohm SMD A	KEMET®	B45196H3106K109
2	FB1, FB2	Ferrite CHIP 470 OHM 300 mA 0603	Murata Electronics®	BLM18BB471SN1D
1	J1	Conn. SMA jack str. 50 Ohm PCB	Amphenol Commercial	901-144-8RFX
4	J2, J3, J4, J5	Conn. BNC jack str. 50 Ohm PCB	Amphenol Commercial	31-5431-2010
0	PCB	MCP6421 EMIRR Evaluation Board – RoHS compliant Printed Circuit Board	—	104-00443
2	R1, R2	Res. TKF 100R 1% 1/10W SMD 0603	Panasonic	ERJ-3EKF1000V
4	R3, R4, R6, R7	Res. TKF 10k 1% 1/10W SMD 0603	NIC Components Corp.	NRC06F1002TRF
4	R5, R8, R9, R10	Res. TKF 49.9R 1% 1/10W SMD 0603	Panasonic	ERJ-3EKF49R9V
1	U1	MCP6421, SC70-5, single op amp, 90 kHz	Microchip Technology, Inc.	<b>MCP6421T-E/LTY</b>

**Note 1:** The components listed in this Bill of Materials are representative of the PCB assembly. The released BOM used in manufacturing uses all RoHS-compliant components.



# MICROCHIP

## Worldwide Sales and Service

### AMERICAS

**Corporate Office**  
2355 West Chandler Blvd.  
Chandler, AZ 85224-6199  
Tel: 480-792-7200  
Fax: 480-792-7277  
Technical Support:  
<http://www.microchip.com/support>  
Web Address:  
[www.microchip.com](http://www.microchip.com)

**Atlanta**  
Duluth, GA  
Tel: 678-957-9614  
Fax: 678-957-1455

**Boston**  
Westborough, MA  
Tel: 774-760-0087  
Fax: 774-760-0088

**Chicago**  
Itasca, IL  
Tel: 630-285-0071  
Fax: 630-285-0075

**Cleveland**  
Independence, OH  
Tel: 216-447-0464  
Fax: 216-447-0643

**Dallas**  
Addison, TX  
Tel: 972-818-7423  
Fax: 972-818-2924

**Detroit**  
Farmington Hills, MI  
Tel: 248-538-2250  
Fax: 248-538-2260

**Indianapolis**  
Noblesville, IN  
Tel: 317-773-8323  
Fax: 317-773-5453

**Los Angeles**  
Mission Viejo, CA  
Tel: 949-462-9523  
Fax: 949-462-9608

**Santa Clara**  
Santa Clara, CA  
Tel: 408-961-6444  
Fax: 408-961-6445

**Toronto**  
Mississauga, Ontario,  
Canada  
Tel: 905-673-0699  
Fax: 905-673-6509

### ASIA/PACIFIC

**Asia Pacific Office**  
Suites 3707-14, 37th Floor  
Tower 6, The Gateway  
Harbour City, Kowloon  
Hong Kong  
Tel: 852-2401-1200  
Fax: 852-2401-3431

**Australia - Sydney**  
Tel: 61-2-9868-6733  
Fax: 61-2-9868-6755

**China - Beijing**  
Tel: 86-10-8569-7000  
Fax: 86-10-8528-2104

**China - Chengdu**  
Tel: 86-28-8665-5511  
Fax: 86-28-8665-7889

**China - Chongqing**  
Tel: 86-23-8980-9588  
Fax: 86-23-8980-9500

**China - Hangzhou**  
Tel: 86-571-2819-3187  
Fax: 86-571-2819-3189

**China - Hong Kong SAR**  
Tel: 852-2943-5100  
Fax: 852-2401-3431

**China - Nanjing**  
Tel: 86-25-8473-2460  
Fax: 86-25-8473-2470

**China - Qingdao**  
Tel: 86-532-8502-7355  
Fax: 86-532-8502-7205

**China - Shanghai**  
Tel: 86-21-5407-5533  
Fax: 86-21-5407-5066

**China - Shenyang**  
Tel: 86-24-2334-2829  
Fax: 86-24-2334-2393

**China - Shenzhen**  
Tel: 86-755-8864-2200  
Fax: 86-755-8203-1760

**China - Wuhan**  
Tel: 86-27-5980-5300  
Fax: 86-27-5980-5118

**China - Xian**  
Tel: 86-29-8833-7252  
Fax: 86-29-8833-7256

**China - Xiamen**  
Tel: 86-592-2388138  
Fax: 86-592-2388130

**China - Zhuhai**  
Tel: 86-756-3210040  
Fax: 86-756-3210049

### ASIA/PACIFIC

**India - Bangalore**  
Tel: 91-80-3090-4444  
Fax: 91-80-3090-4123

**India - New Delhi**  
Tel: 91-11-4160-8631  
Fax: 91-11-4160-8632

**India - Pune**  
Tel: 91-20-2566-1512  
Fax: 91-20-2566-1513

**Japan - Osaka**  
Tel: 81-6-6152-7160  
Fax: 81-6-6152-9310

**Japan - Tokyo**  
Tel: 81-3-6880-3770  
Fax: 81-3-6880-3771

**Korea - Daegu**  
Tel: 82-53-744-4301  
Fax: 82-53-744-4302

**Korea - Seoul**  
Tel: 82-2-554-7200  
Fax: 82-2-558-5932 or  
82-2-558-5934

**Malaysia - Kuala Lumpur**  
Tel: 60-3-6201-9857  
Fax: 60-3-6201-9859

**Malaysia - Penang**  
Tel: 60-4-227-8870  
Fax: 60-4-227-4068

**Philippines - Manila**  
Tel: 63-2-634-9065  
Fax: 63-2-634-9069

**Singapore**  
Tel: 65-6334-8870  
Fax: 65-6334-8850

**Taiwan - Hsin Chu**  
Tel: 886-3-5778-366  
Fax: 886-3-5770-955

**Taiwan - Kaohsiung**  
Tel: 886-7-213-7828  
Fax: 886-7-330-9305

**Taiwan - Taipei**  
Tel: 886-2-2508-8600  
Fax: 886-2-2508-0102

**Thailand - Bangkok**  
Tel: 66-2-694-1351  
Fax: 66-2-694-1350

### EUROPE

**Austria - Wels**  
Tel: 43-7242-2244-39  
Fax: 43-7242-2244-393

**Denmark - Copenhagen**  
Tel: 45-4450-2828  
Fax: 45-4485-2829

**France - Paris**  
Tel: 33-1-69-53-63-20  
Fax: 33-1-69-30-90-79

**Germany - Munich**  
Tel: 49-89-627-144-0  
Fax: 49-89-627-144-44

**Italy - Milan**  
Tel: 39-0331-742611  
Fax: 39-0331-466781

**Netherlands - Drunen**  
Tel: 31-416-690399  
Fax: 31-416-690340

**Spain - Madrid**  
Tel: 34-91-708-08-90  
Fax: 34-91-708-08-91

**UK - Wokingham**  
Tel: 44-118-921-5869  
Fax: 44-118-921-5820

11/29/12

## X-ON Electronics

Largest Supplier of Electrical and Electronic Components

*Click to view similar products for [Amplifier IC Development Tools](#) category:*

*Click to view products by [Microchip](#) manufacturer:*

Other Similar products are found below :

[AD8033AKS-EBZ](#) [AD8044AR-EBZ](#) [AD744JR-EBZ](#) [AD8023AR-EBZ](#) [AD848JR-EBZ](#) [ADA4922-1ACP-EBZ](#) [EVAL-ADCMP553BRMZ](#)  
[EVAL-ADCMP608BKSZ](#) [MIOP 42109](#) [EVAL-ADCMP609BRMZ](#) [ADA4950-1YCP-EBZ](#) [MAX2634EVKIT](#) [ISL28158EVAL1Z](#) [MADL-](#)  
[011014-001SMB](#) [AD8137YCP-EBZ](#) [EVAL-ADA4523-1ARMZ](#) [EVAL01-HMC1013LP4E](#) [MCP6XXXEV-AMP3](#) [MCP6XXXEV-AMP4](#)  
[MCP6XXXEV-AMP2](#) [ISL28006FH-100EVAL1Z](#) [551012922-001/NOPB](#) [EVAL-ADCMP603BCPZ](#) [AMC1200EVM](#) [AD8417RM-EVALZ](#)  
[DEM-OPA-SOT-1A](#) [DEM-OPA-SO-1C](#) [DEM-BUF-SOT-1A](#) [OPA2836IDGSEVM](#) [AD633-EVALZ](#) [AD8418R-EVALZ](#)  
[ISL28433SOICEVAL1Z](#) [ISL28233SOICEVAL1Z](#) [ISL28208SOICEVAL2Z](#) [ISL28207SOICEVAL2Z](#) [ISL28006FH-50EVAL1Z](#)  
[ISL28005FH-50EVAL1Z](#) [120257-HMC613LC4B](#) [DC1591A](#) [DC1150A](#) [DC1115A](#) [DC954A-C](#) [DC306A-A](#) [DC1192A](#) [131679-](#)  
[HMC813LC4B](#) [OPA2835IDGSEVM](#) [LMH730220/NOPB](#) [MAAP-011246-1SMB](#) [118329-HMC627ALP5](#) [125932-HMC874LC3C](#)