



**MICROCHIP**

---

**MCP251XFD CAN FD  
Motherboard  
User's Guide**

---

---

**Note the following details of the code protection feature on Microchip devices:**

- Microchip products meet the specification contained in their particular Microchip Data Sheet.
- Microchip believes that its family of products is one of the most secure families of its kind on the market today, when used in the intended manner and under normal conditions.
- There are dishonest and possibly illegal methods used to breach the code protection feature. All of these methods, to our knowledge, require using the Microchip products in a manner outside the operating specifications contained in Microchip's Data Sheets. Most likely, the person doing so is engaged in theft of intellectual property.
- Microchip is willing to work with the customer who is concerned about the integrity of their code.
- Neither Microchip nor any other semiconductor manufacturer can guarantee the security of their code. Code protection does not mean that we are guaranteeing the product as "unbreakable."

Code protection is constantly evolving. We at Microchip are committed to continuously improving the code protection features of our products. Attempts to break Microchip's code protection feature may be a violation of the Digital Millennium Copyright Act. If such acts allow unauthorized access to your software or other copyrighted work, you may have a right to sue for relief under that Act.

---

Information contained in this publication regarding device applications and the like is provided only for your convenience and may be superseded by updates. It is your responsibility to ensure that your application meets with your specifications. MICROCHIP MAKES NO REPRESENTATIONS OR WARRANTIES OF ANY KIND WHETHER EXPRESS OR IMPLIED, WRITTEN OR ORAL, STATUTORY OR OTHERWISE, RELATED TO THE INFORMATION, INCLUDING BUT NOT LIMITED TO ITS CONDITION, QUALITY, PERFORMANCE, MERCHANTABILITY OR FITNESS FOR PURPOSE. Microchip disclaims all liability arising from this information and its use. Use of Microchip devices in life support and/or safety applications is entirely at the buyer's risk, and the buyer agrees to defend, indemnify and hold harmless Microchip from any and all damages, claims, suits, or expenses resulting from such use. No licenses are conveyed, implicitly or otherwise, under any Microchip intellectual property rights unless otherwise stated.

*Microchip received ISO/TS-16949:2009 certification for its worldwide headquarters, design and wafer fabrication facilities in Chandler and Tempe, Arizona; Gresham, Oregon and design centers in California and India. The Company's quality system processes and procedures are for its PIC<sup>®</sup> MCUs and dsPIC<sup>®</sup> DSCs, KEELOQ<sup>®</sup> code hopping devices, Serial EEPROMs, microperipherals, nonvolatile memory and analog products. In addition, Microchip's quality system for the design and manufacture of development systems is ISO 9001:2000 certified.*

**QUALITY MANAGEMENT SYSTEM  
CERTIFIED BY DNV  
= ISO/TS 16949 =**

### Trademarks

The Microchip name and logo, the Microchip logo, AnyRate, AVR, AVR logo, AVR Freaks, BeaconThings, BitCloud, CryptoMemory, CryptoRF, dsPIC, FlashFlex, flexPWR, Helder, JukeBlox, KEELOQ, KEELOQ logo, Klear, LANCheck, LINK MD, maXStylus, maXTouch, MediaLB, megaAVR, MOST, MOST logo, MPLAB, OptoLyzer, PIC, picoPower, PICSTART, PIC32 logo, Prochip Designer, QTouch, RightTouch, SAM-BA, SpyNIC, SST, SST Logo, SuperFlash, tinyAVR, UNI/O, and XMEGA are registered trademarks of Microchip Technology Incorporated in the U.S.A. and other countries.

ClockWorks, The Embedded Control Solutions Company, EtherSynch, Hyper Speed Control, HyperLight Load, IntelliMOS, mTouch, Precision Edge, and Quiet-Wire are registered trademarks of Microchip Technology Incorporated in the U.S.A.

Adjacent Key Suppression, AKS, Analog-for-the-Digital Age, Any Capacitor, AnyIn, AnyOut, BodyCom, chipKIT, chipKIT logo, CodeGuard, CryptoAuthentication, CryptoCompanion, CryptoController, dsPICDEM, dsPICDEM.net, Dynamic Average Matching, DAM, ECAN, EtherGREEN, In-Circuit Serial Programming, ICSP, Inter-Chip Connectivity, JitterBlocker, KlearNet, KlearNet logo, Mindi, MiWi, motorBench, MPASM, MPF, MPLAB Certified logo, MPLIB, MPLINK, MultiTRAK, NetDetach, Omniscient Code Generation, PICDEM, PICDEM.net, PICkit, PICtail, PureSilicon, QMatrix, RightTouch logo, REAL ICE, Ripple Blocker, SAM-ICE, Serial Quad I/O, SMART-I.S., SQI, SuperSwitcher, SuperSwitcher II, Total Endurance, TSHARC, USBCheck, VariSense, ViewSpan, WiperLock, Wireless DNA, and ZENA are trademarks of Microchip Technology Incorporated in the U.S.A. and other countries.

SQTP is a service mark of Microchip Technology Incorporated in the U.S.A.

Silicon Storage Technology is a registered trademark of Microchip Technology Inc. in other countries.

GestIC is a registered trademark of Microchip Technology Germany II GmbH & Co. KG, a subsidiary of Microchip Technology Inc., in other countries.

All other trademarks mentioned herein are property of their respective companies.

© 2017, Microchip Technology Incorporated, All Rights Reserved.  
ISBN: 978-1-5224-1578-7

---

---

**Object of Declaration: MCP251XFD CAN FD Motherboard**

EU Declaration of Conformity

This declaration of conformity is issued by the manufacturer.

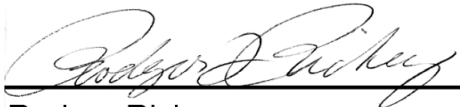
The development/evaluation tool is designed to be used for research and development in a laboratory environment. This development/evaluation tool is not a Finished Appliance, nor is it intended for incorporation into Finished Appliances that are made commercially available as single functional units to end users under EU EMC Directive 2004/108/EC and as supported by the European Commission's Guide for the EMC Directive 2004/108/EC (8th February 2010).

This development/evaluation tool complies with EU RoHS2 Directive 2011/65/EU.

This development/evaluation tool, when incorporating wireless and radio-telecom functionality, is in compliance with the essential requirement and other relevant provisions of the R&TTE Directive 1999/5/EC and the FCC rules as stated in the declaration of conformity provided in the module datasheet and the module product page available at [www.microchip.com](http://www.microchip.com).

For information regarding the exclusive, limited warranties applicable to Microchip products, please see Microchip's standard terms and conditions of sale, which are printed on our sales documentation and available at [www.microchip.com](http://www.microchip.com).

Signed for and on behalf of Microchip Technology Inc. at Chandler, Arizona, USA.



Rodger Richey  
Director of Development Tools



Date

---

---

**NOTES:**



# MCP251XFD CAN FD MOTHERBOARD USER'S GUIDE

## Table of Contents

<b>Preface</b> .....	<b>7</b>
Introduction.....	7
Document Layout .....	7
Conventions Used in this Guide .....	8
Warranty Registration.....	8
Recommended Reading.....	9
The Microchip Website.....	9
Product Change Notification Service.....	9
Customer Support .....	9
Document Revision History .....	9
<b>Chapter 1. MCP251xFD CAN FD Motherboard</b>	
1.1 Introduction .....	11
1.2 Recommended Items to Implement a CAN FD Node .....	11
1.3 Kit Contents .....	11
1.4 MCP251XFD CAN FD Motherboard Features .....	12
1.5 MCP2517FD click Board Features .....	13
<b>Chapter 2. Hardware</b>	
2.1 Hardware Features .....	15
2.2 Power Sources .....	16
2.3 Resistor Jumper Setting on MCP2517FD click Board .....	16
2.4 Connecting the Board .....	17
2.5 Operation .....	17
<b>Chapter 3. Software</b>	
3.1 Introduction .....	19
3.2 Software Overview .....	19
<b>Appendix A. Schematics and Layout</b>	
A.1 Introduction .....	21
A.2 Schematics - Power Supply .....	22
A.3 Schematics - Microcontroller .....	23
A.4 Board – Top View .....	24
A.5 Board – Bottom View .....	25
A.6 Board – Top Silk .....	26
A.7 Board – Top Copper and Silk .....	27
A.8 Board – Top Copper .....	28

# MCP251XFD CAN FD Motherboard User's Guide

---

A.9 Board – Bottom Copper .....	29
A.10 Board – Bottom Copper and Silk .....	30
A.11 Board – Bottom Silk .....	31
<b>Appendix B. Bill of Materials (BOM) .....</b>	<b>33</b>
<b>Appendix C. MCP2517FD click Board Schematics</b>	
C.1 Introduction .....	35
C.2 Schematics - MCP2517FD click Board .....	36
C.3 Board – Top View .....	37
C.4 Board – Bottom View .....	38
<b>Worldwide Sales and Service .....</b>	<b>39</b>



# MCP251XFD CAN FD MOTHERBOARD USER'S GUIDE

## Preface

### NOTICE TO CUSTOMERS

All documentation becomes dated, and this manual is no exception. Microchip tools and documentation are constantly evolving to meet customer needs, so some actual dialogs and/or tool descriptions may differ from those in this document. Please refer to our website ([www.microchip.com](http://www.microchip.com)) to obtain the latest documentation available.

Documents are identified with a “DS” number. This number is located on the bottom of each page, in front of the page number. The numbering convention for the DS number is “DSXXXXXXA”, where “XXXXXX” is the document number and “A” is the revision level of the document.

For the most up-to-date information on development tools, see the MPLAB® IDE online help. Select the Help menu, and then Topics to open a list of available online help files.

## INTRODUCTION

This chapter contains general information that will be useful to know before using the MCP251XFD CAN FD Motherboard. Items discussed in this chapter include:

- [Document Layout](#)
- [Conventions Used in this Guide](#)
- [Recommended Reading](#)
- [The Microchip Website](#)
- [Customer Support](#)
- [Document Revision History](#)

## DOCUMENT LAYOUT

This document describes how to use the MCP251XFD CAN FD Motherboard as a demonstration board to evaluate the MCP2517FD device. The manual layout is as follows:

- **Chapter 1. “MCP251XFD CAN FD Motherboard”** – Provides important information about the MCP251XFD CAN FD Motherboard.
- **Chapter 2. “Hardware”** – Includes a detailed description of the demo board and instructions on how to use it.
- **Chapter 3. “Software”** – Helps getting started on firmware development.
- **Appendix A. “Schematics and Layout”** – Schematics and layout diagrams of the MCP251XFD CAN FD Motherboard.
- **Appendix B. “Bill of Materials (BOM)”** – Lists the parts used to build the MCP251XFD CAN FD Motherboard.
- **Appendix C. “MCP2517FD click Board Schematics”** – Schematics and layout diagrams of the MCP2517FD click Board.

# MCP251XFD CAN FD Motherboard User's Guide

## CONVENTIONS USED IN THIS GUIDE

This manual uses the following documentation conventions:

### DOCUMENTATION CONVENTIONS

Description	Represents	Examples
<b>Arial font:</b>		
Italic characters	Referenced books	<i>MPLAB<sup>®</sup> IDE User's Guide</i>
	Emphasized text	...is the <i>only</i> compiler...
Initial caps	A window	the Output window
	A dialog	the Settings dialog
	A menu selection	select Enable Programmer
Quotes	A field name in a window or dialog	"Save project before build"
Underlined, italic text with right angle bracket	A menu path	<u><i>File&gt;Save</i></u>
Bold characters	A dialog button	Click <b>OK</b>
	A tab	Click the <b>Power</b> tab
N'Rnnnn	A number in verilog format, where N is the total number of digits, R is the radix and n is a digit.	4'b0010, 2'hF1
Text in angle brackets < >	A key on the keyboard	Press <Enter>, <F1>
<b>Courier New font:</b>		
Plain Courier New	Sample source code	#define START
	Filenames	autoexec.bat
	File paths	c:\mcc18\h
	Keywords	_asm, _endasm, static
	Command-line options	-Opa+, -Opa-
	Bit values	0, 1
	Constants	0xFF, 'A'
Italic Courier New	A variable argument	<i>file.o</i> , where <i>file</i> can be any valid filename
Square brackets [ ]	Optional arguments	mcc18 [options] <i>file</i> [options]
Curly brackets and pipe character: {   }	Choice of mutually exclusive arguments; an OR selection	errorlevel {0 1}
Ellipses...	Replaces repeated text	var_name [, var_name...]
	Represents code supplied by user	void main (void) { ... }



## RECOMMENDED READING

This user's guide describes how to use MCP251XFD CAN FD Motherboard. The following Microchip documents are available and recommended as supplemental reference resources:

- **MCP2517FD Data Sheet - “External CAN FD Controller with SPI Interface” (DS20005688)**

This data sheet provides detailed information regarding the MCP2517FD device.

- **MCP2517FD FRM - “MCP2517FD Family Reference Manual” (DS2005678)**

This FRM provides even more detailed information regarding the MCP2517FD.

## THE MICROCHIP WEBSITE

Microchip provides on-line support via our website at [www.microchip.com](http://www.microchip.com). This website is used as a means to make files and information easily available to customers. Accessible by using your favorite Internet browser, the website contains the following information:

- **Product Support** – Data sheets and errata, application notes and sample programs, design resources, user's guides and hardware support documents, latest software releases and archived software
- **General Technical Support** – Frequently Asked Questions (FAQs), technical support requests, on-line discussion groups, Microchip consultant program member listing
- **Business of Microchip** – Product selector and ordering guides, latest Microchip press releases, listing of seminars and events, listings of Microchip sales offices, distributors and factory representatives

## CUSTOMER SUPPORT

Users of Microchip products can receive assistance through several channels:

- Distributor or Representative
- Local Sales Office
- Field Application Engineer (FAE)
- Technical Support

Customers should contact their distributor, representative or field application engineer (FAE) for support. Local sales offices are also available to help customers. A listing of sales offices and locations is included in the back of this document.

Technical support is available through the website at: <http://support.microchip.com>.

## DOCUMENT REVISION HISTORY

### Revision A (September 2017)

- Initial release of this document.

# MCP251XFD CAN FD Motherboard User's Guide

---

NOTES:

---

---

## Chapter 1. MCP251XFD CAN FD Motherboard

---

---

### 1.1 INTRODUCTION

The MCP251XFD CAN FD Motherboard provides a simple, low-cost board to evaluate the MCP2517FD family of devices. The board features one mikroBUS™ socket to accommodate the MCP2517FD click Board.

The MCP251XFD CAN FD Motherboard together with the MCP2517FD click Board can be used to implement a CAN FD node.

The MCP251XFD CAN FD Motherboard contains a PIC32MX470F512H microcontroller with a Service Provider Interface (SPI) peripheral. The microcontroller controls the MCP2517FD via the SPI interface.

A firmware Application Program Interface (API) is available for rapid application development, which is written in C programming language for MPLAB Harmony Integrated Software Framework. It can be easily ported to other microcontrollers.

### 1.2 RECOMMENDED ITEMS TO IMPLEMENT A CAN FD NODE

In order to implement a CAN FD node using the MCP2517FD, the following items are recommended:

- MCP251XFD CAN FD Motherboard (ADM00576)
- MCP2517FD click Board (**NOT** included)
- Mini-USB Cable (**NOT** included)

### 1.3 KIT CONTENTS

The MCP251XFD CAN FD Motherboard kit includes:

- MCP251XFD CAN FD Motherboard (ADM00576)
- Information Sheet

# MCP251XFD CAN FD Motherboard User's Guide

## 1.4 MCP251XFD CAN FD MOTHERBOARD FEATURES

Figure 1-1 illustrates the main features of the MCP251XFD CAN FD Motherboard:

1. PIC32MX470F512H microcontroller
2. mikroBUS socket
3. Debug headers for monitoring the MCP2517FD I/O
4. DSC1121 8 MHz MEMS Clock Generator
5. USB connector to supply regulated +5V DC to the LDO and mikroBUS socket
6. Test loops to supply regulated +5V DC to the LDO and mikroBUS socket
7. Jumper to select between USB and test loop power source
8. 3.3V LDO to supply microcontroller and mikroBUS socket, and power indicator LEDs
9. Push button switches for user-defined inputs
10. Eight indicator LEDs
11. Microcontroller Reset push button
12. Six-pin interface for the PICKit™ 3 Programmer/Debugger

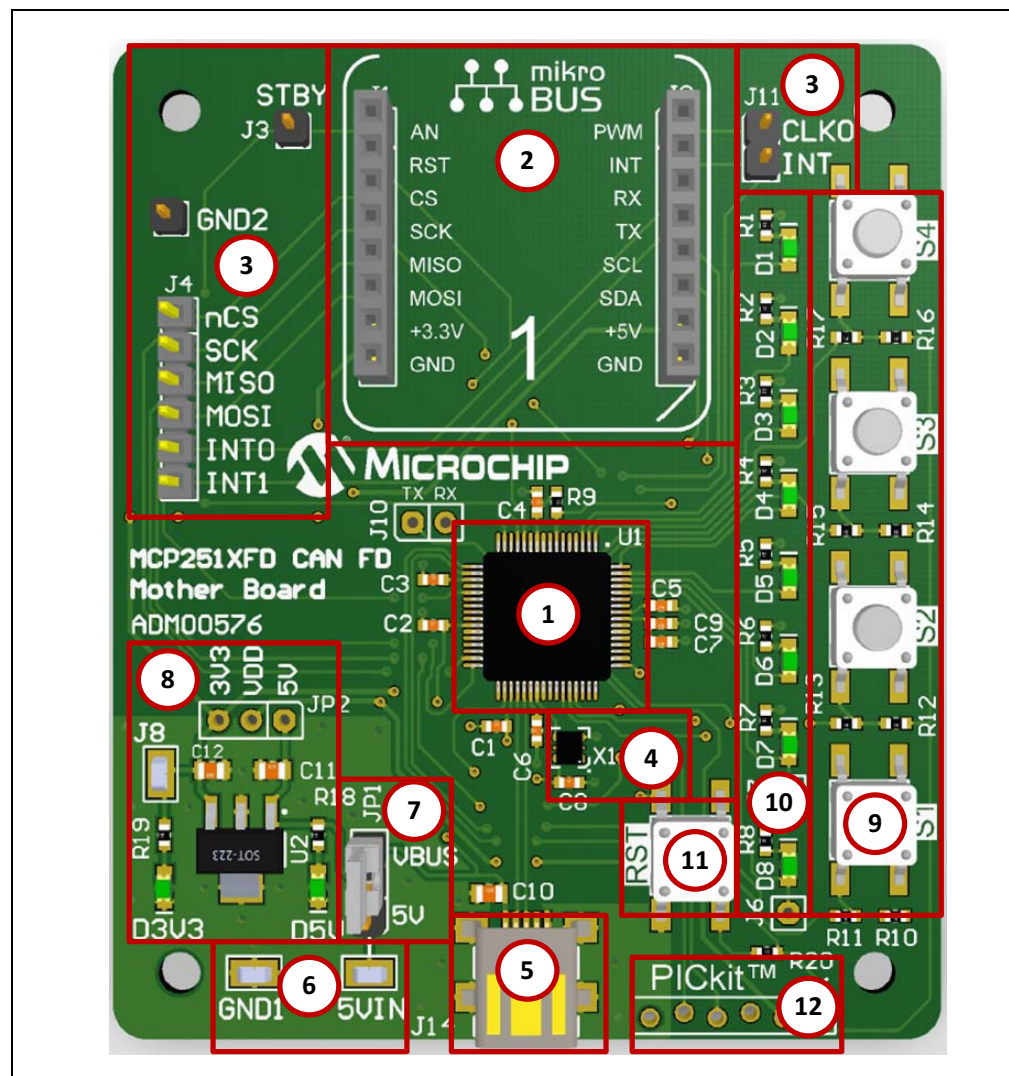


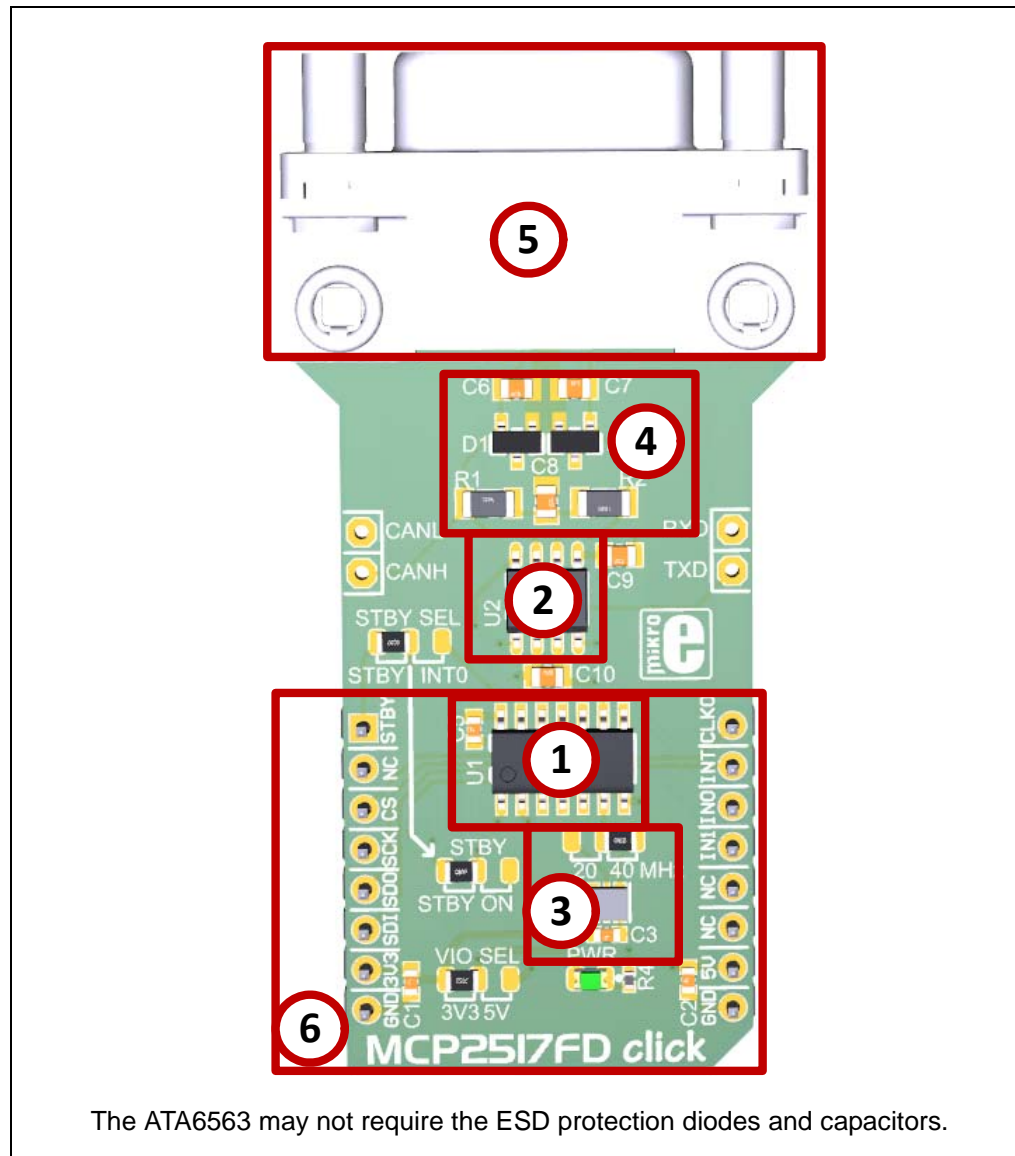
FIGURE 1-1: MCP251XFD CAN FD Motherboard.

## 1.5 MCP2517FD CLICK BOARD FEATURES

The MCP2517FD click Board contains the MCP2517FD and a CAN FD transceiver. The board can be connected to the CAN FD bus using a DB9 connector. The click board is available for purchase from <https://shop.mikroe.com/mcp2517fd-click>.

Figure 1-2 illustrates the main features of the MCP2517FD click Board:

1. MCP2517FD CAN FD Controller with SPI Interface
2. ATA6563 CAN FD Transceiver
3. DSC2311 20/40 MHz Dual MEMS Clock Generator
4. ESD protection and termination
5. DB9 CAN connector
6. mikroBUS click connector with MCP2517FD specific I/O pin assignment



The ATA6563 may not require the ESD protection diodes and capacitors.

FIGURE 1-2: MCP2517FD click Board.

# MCP251XFD CAN FD Motherboard User's Guide

---

NOTES:

---

---

## Chapter 2. Hardware

---

---

### 2.1 HARDWARE FEATURES

#### 2.1.1 Microcontroller

The MCP251XFD CAN FD Motherboard accommodates a PIC32MX470F512H microcontroller with a 120 MHz/150 DMIPS MIPS32<sup>®</sup> M4K<sup>®</sup> core. The microcontroller controls the MCP2517FD via the SPI interface. The interrupt pins of the MCP2517FD are connected to the microcontroller input pins. The microcontroller can control the standby pin of the CAN FD transceiver on the MCP2517FD click Board using the STBY output.

#### 2.1.2 Clock Generator

The MCP251XFD CAN FD Motherboard uses the DSC1121, which is a Microchip MEMS clock generator, as the default clock source into the microcontroller. The DSC1121 on this board has been programmed to generate an output frequency of 8 MHz and is offered in a small 2.5 x 2.0 mm package.

#### 2.1.3 Switches

Five push button switches provide the following functions:

- S1: Active-low switch
- S2: Active-low switch
- S3: Active-low switch
- S4: Active-low switch
- RST (S5): Active-low MCLR switch to hard reset the microcontroller

When Idle, the switches are pulled high; when pressed, they are grounded.

#### 2.1.4 LEDs

Eight LEDs (D1 through D8) are available. Set the corresponding microcontroller output pins high to light the LEDs.

#### 2.1.5 PICKit™ 3 In-Circuit Debugger connector

Connector J11 provides the footprint for a 6-pin PICKit™ 3 interface.

#### 2.1.6 MikroBUS interface

[Figure 2-1](#) shows the signal assignment to the mikroBUS connector. The MCP251XFD CAN FD Motherboard is targeted to be used with the MCP2517FD click Board, but it could also be used with a variety of other click boards.

# MCP251XFD CAN FD Motherboard User's Guide

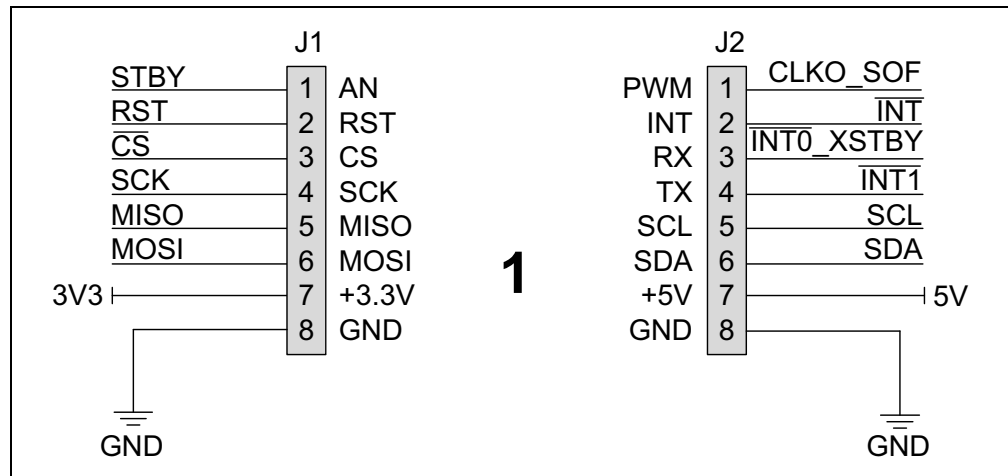


FIGURE 2-1: mikroBUS Interface

## 2.2 POWER SOURCES

The MCP251XFD CAN FD Motherboard must be powered using a +5V DC regulated power source. The user has two options to connect the power:

- USB connector (J14), or
- Test loops: 5VIN and GND1.

The jumper (JP1) is used to select between the power sources, see [Table 2-1](#).

TABLE 2-1: POWER SOURCE JUMPERS

Index	Description	Default Configuration
JP1	<ul style="list-style-type: none"> <li>• Powers-up the MCP251XFD CAN FD Motherboard from USB or an external 5V power supply between 5VIN and GND1.</li> <li>• Short-circuit pins 2 and 3 (top and middle) to select VBUS, or pins 1 and 2 (middle and bottom) to select the external power supply.</li> </ul>	VBUS
JP2 <sup>(1)</sup>	Could be used to select 5V VDD for a different microcontroller. U1 is a 3.3V microcontroller.	
<b>Note 1:</b> Jumper JP3 is not populated, however, it is short-circuited on the bottom layer (back) of the board. The trace can be cut in order to disconnect it.		

## 2.3 RESISTOR JUMPER SETTING ON MCP2517FD CLICK BOARD

[Table 2-2](#) briefly describes the functions of all the board's resistor jumpers.

TABLE 2-2: JUMPER DESCRIPTIONS

Index	Description	Default Configuration
VIO_SEL	Selects 3.3V or 5V for VIO of the CAN FD transceiver.	3.3V
20/40 MHz	The OSC1 of the MCP2517FD can be connected to the 20 or 40 MHz clock output of U3.	40 MHz
STBY	The STBY pin of the CAN FD transceiver can be grounded (transceiver always in Normal mode); or controlled by the microcontroller or MCP2517FD.	Grounded (Normal mode)
STBY_SEL	Selects between the STBY output of the microcontroller or the $\overline{\text{INT0}}/\text{XSTBY}$ pin of the MCP2517FD.	Microcontroller (STBY header)



---

## 2.4 CONNECTING THE BOARD

Figure 2-2 illustrates an example CAN FD network. The MCP2517FD click Board is plugged into the MCP251XFD CAN FD Motherboard. A CAN FD tool from K2L is connected to the MCP2517FD click Board using twisted pair wires.

The demonstration board is powered using a Mini-USB cable. Alternatively, the board can be powered using a 5V power supply connected between 5VIN and GND1.

There are two terminations on the CAN bus:

- Two 60 Ohm resistors in series on the MCP2517FD click Board.
- A 120 Ohm termination resistor at the connector of the K2L OptoLyzer<sup>®</sup> MOCCA FD tool.

## 2.5 OPERATION

The user can write firmware for the MCU in order to create a custom CAN FD node. Check the MCP2517FD product page for the firmware API and for code examples.

The RST button can be used to reset the MCU. Switches S1-S4 can be used to trigger the transmission of CAN FD messages to the CAN FD tool. LEDs D1-D8 can be controlled by the CAN FD tool using CAN FD messages.

All I/O pins of the MCP2517FD are easily accessible through pin headers.

The differential CAN bus signals, CAN\_H and CAN\_L, are accessible on the MCP2517FD click Board, or on the DB9 connector: CAN\_H on pin 7, and CAN\_L on pin 2.



**FIGURE 2-2:** Connecting the MCP251XFD CAN FD Motherboard.

# MCP251XFD CAN FD Motherboard User's Guide

---

NOTES:

---

---

## Chapter 3. Software

---

---

### 3.1 INTRODUCTION

The MCP251xFD CAN FD Motherboard can be used with MPLAB X Integrated Development Environment (IDE), which is available free on Microchip's website at [www.microchip.com](http://www.microchip.com). This software is used for programming and debugging the PIC32MX470F512H on the MCP251xFD CAN FD Motherboard.

### 3.2 SOFTWARE OVERVIEW

The PICkit™ 3 through MPLAB X, is a low-voltage in-circuit debugger, as well as a low-voltage programmer, for the PIC32MX470F512H. In-circuit debugging allows the user to run, examine and modify programs for the microcontroller embedded in the board hardware. This facilitates the debugging of firmware and hardware concurrently. Use the in-circuit debugger with MPLAB X IDE to run, stop and single-step through programs; breakpoints can be set and the microcontroller can be reset. When the microcontroller stops, the contents of the registers are available for examination and modification.

# MCP251XFD CAN FD Motherboard User's Guide

---

NOTES:



# MCP251XFD CAN FD MOTHERBOARD USER'S GUIDE

---

---

## Appendix A. Schematics and Layout

---

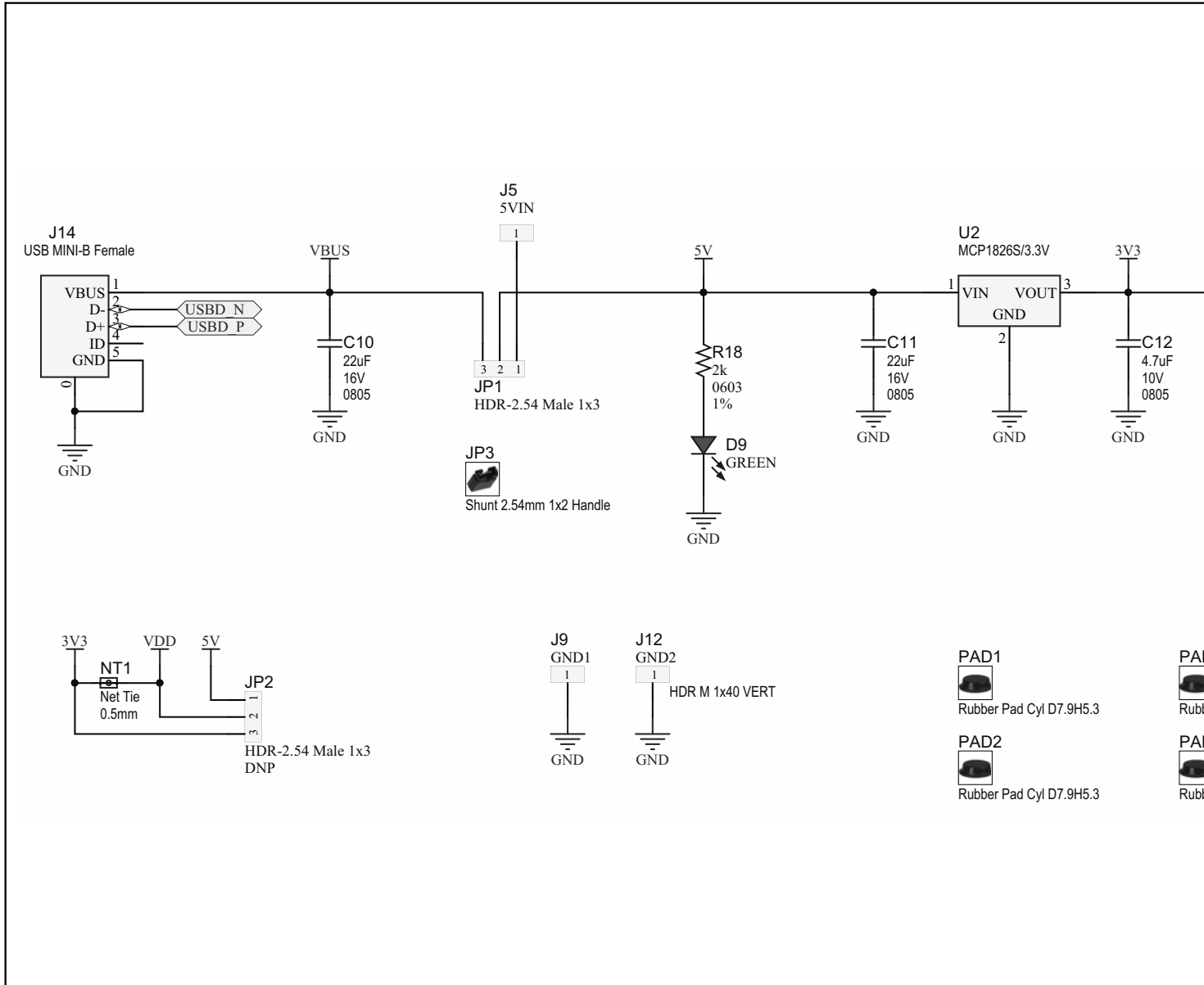
---

### A.1 INTRODUCTION

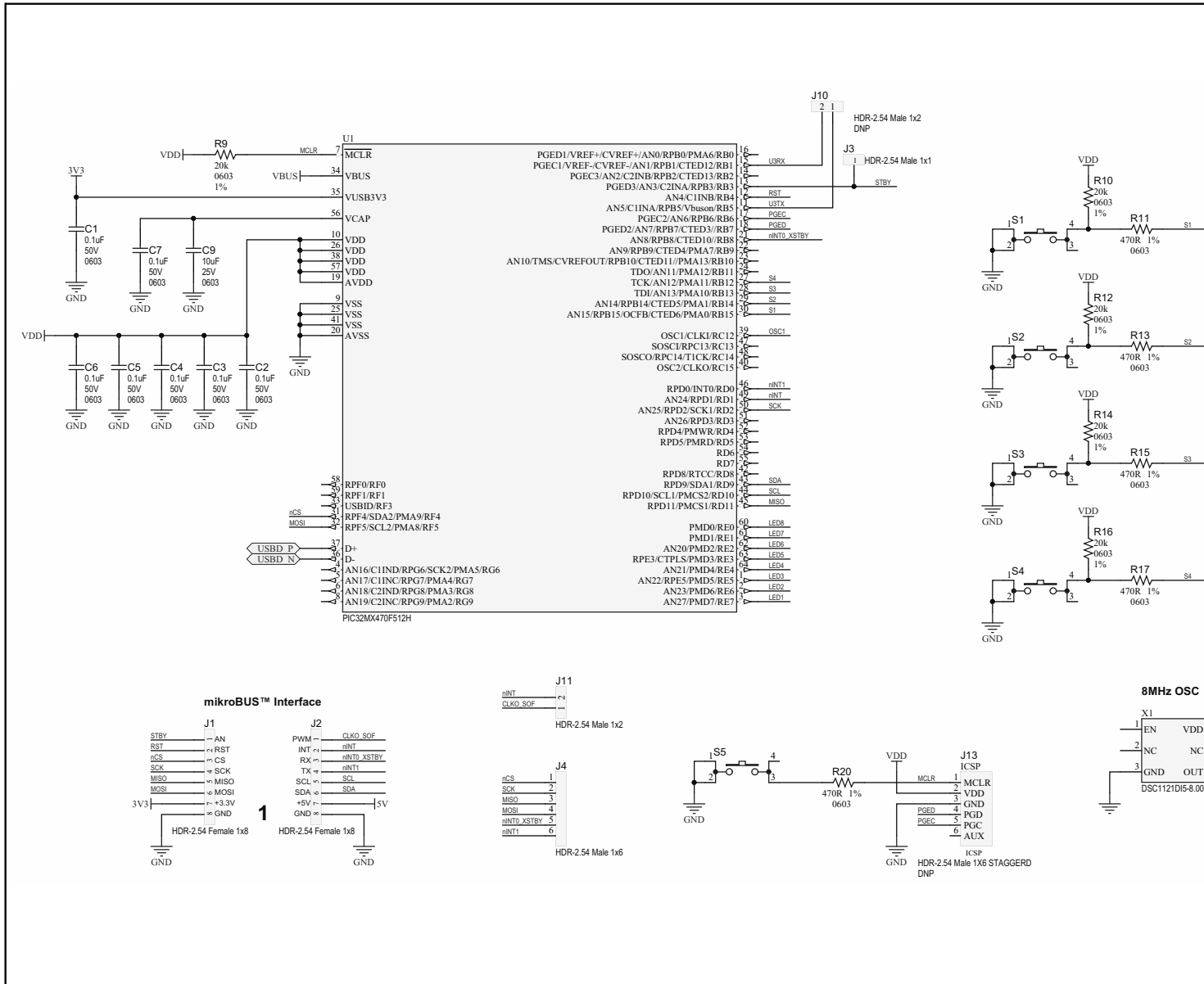
This appendix contains the following schematics and layout of the MCP251XFD CAN FD Motherboard:

- Schematics - Power Supply
- Schematics - Microcontroller
- Board – Top View
- Board – Bottom View
- Board – Top Silk
- Board – Top Copper and Silk
- Board – Top Copper
- Board – Bottom Copper
- Board – Bottom Copper and Silk
- Board – Bottom Silk

## A.2 SCHEMATICS - POWER SUPPLY



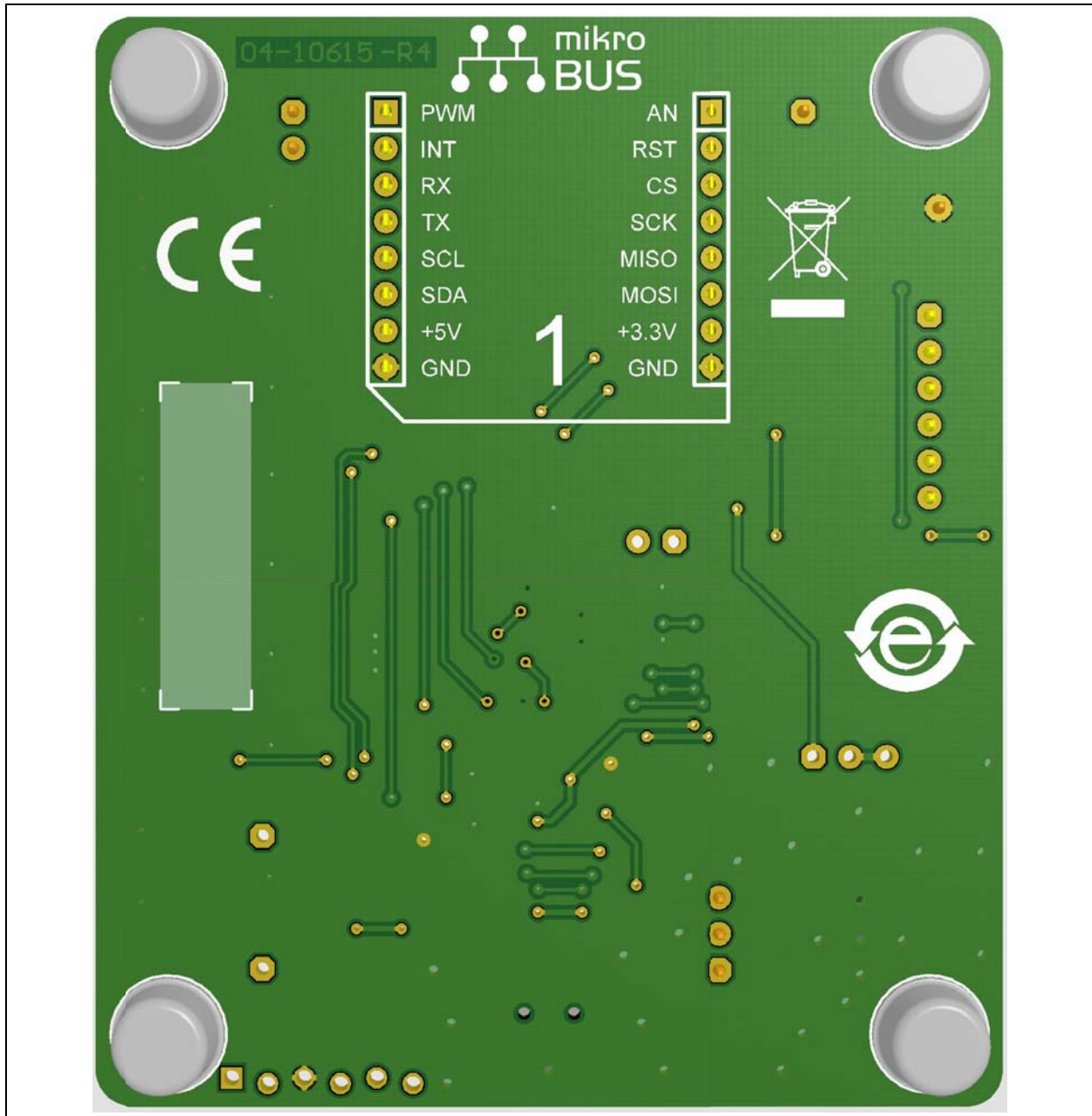
### A.3 SCHEMATICS - MICROCONTROLLER





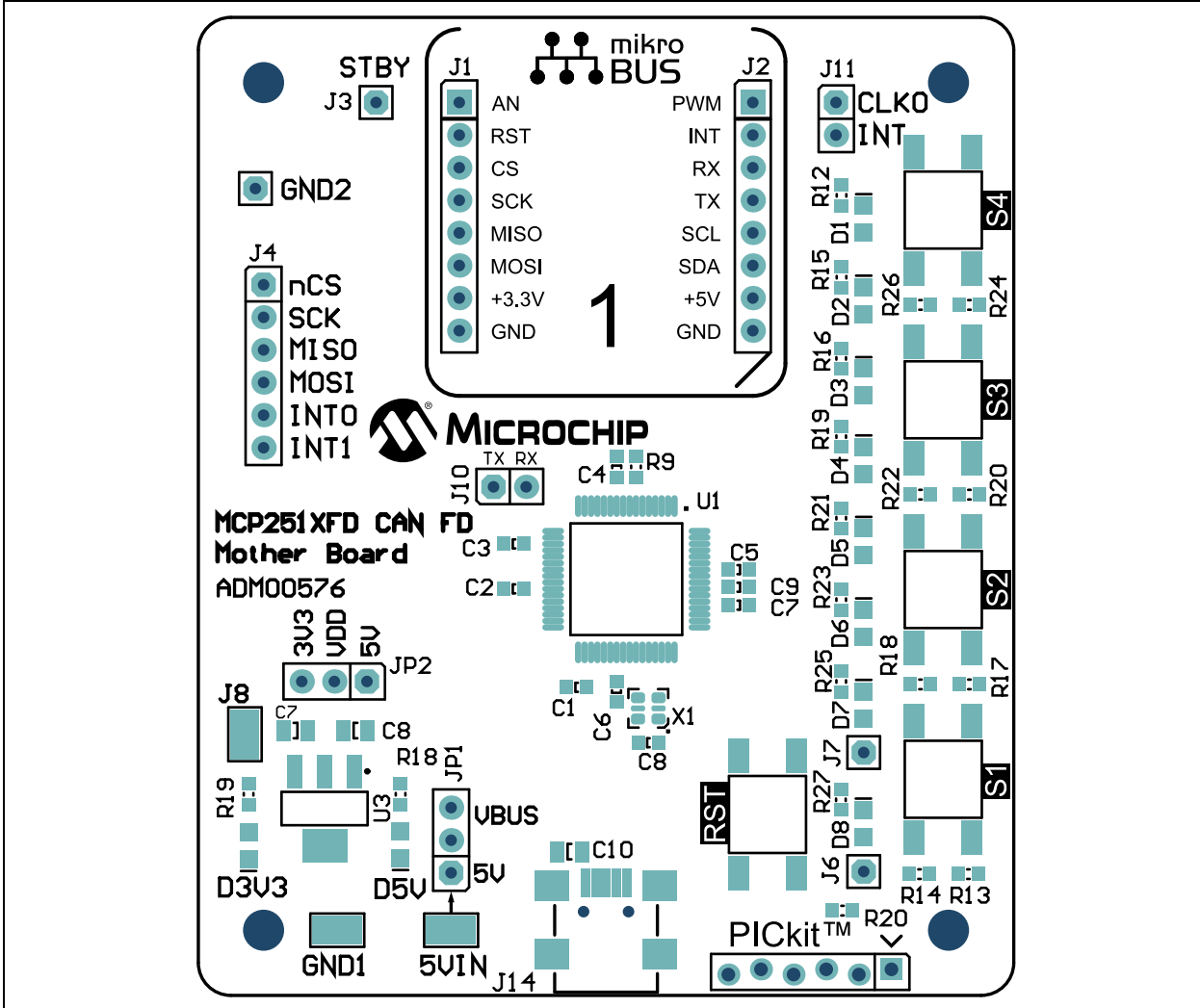


## A.5 BOARD – BOTTOM VIEW

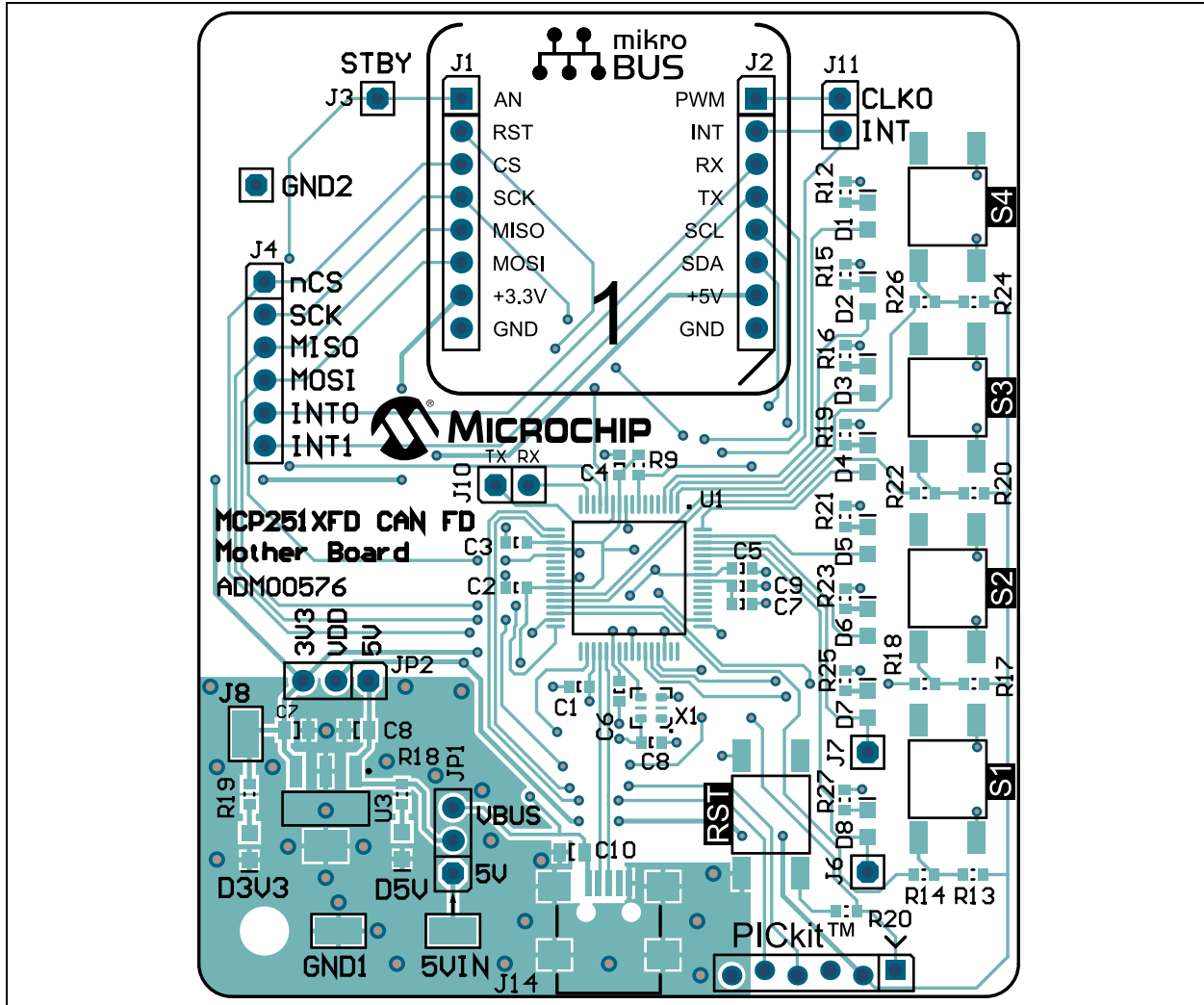


# MCP251XFD CAN FD Motherboard User's Guide

## A.6 BOARD – TOP SILK



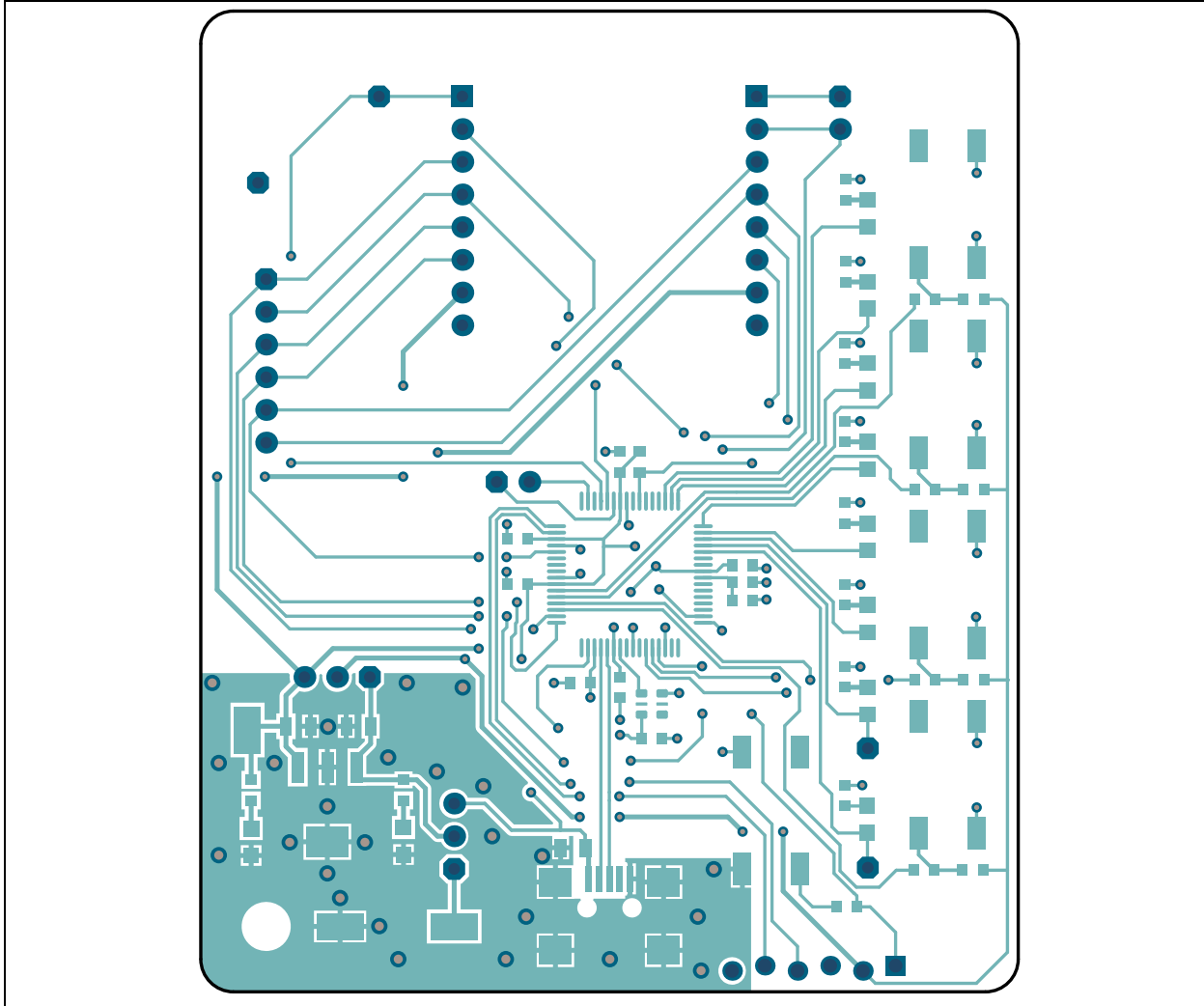
## A.7 BOARD – TOP COPPER AND SILK



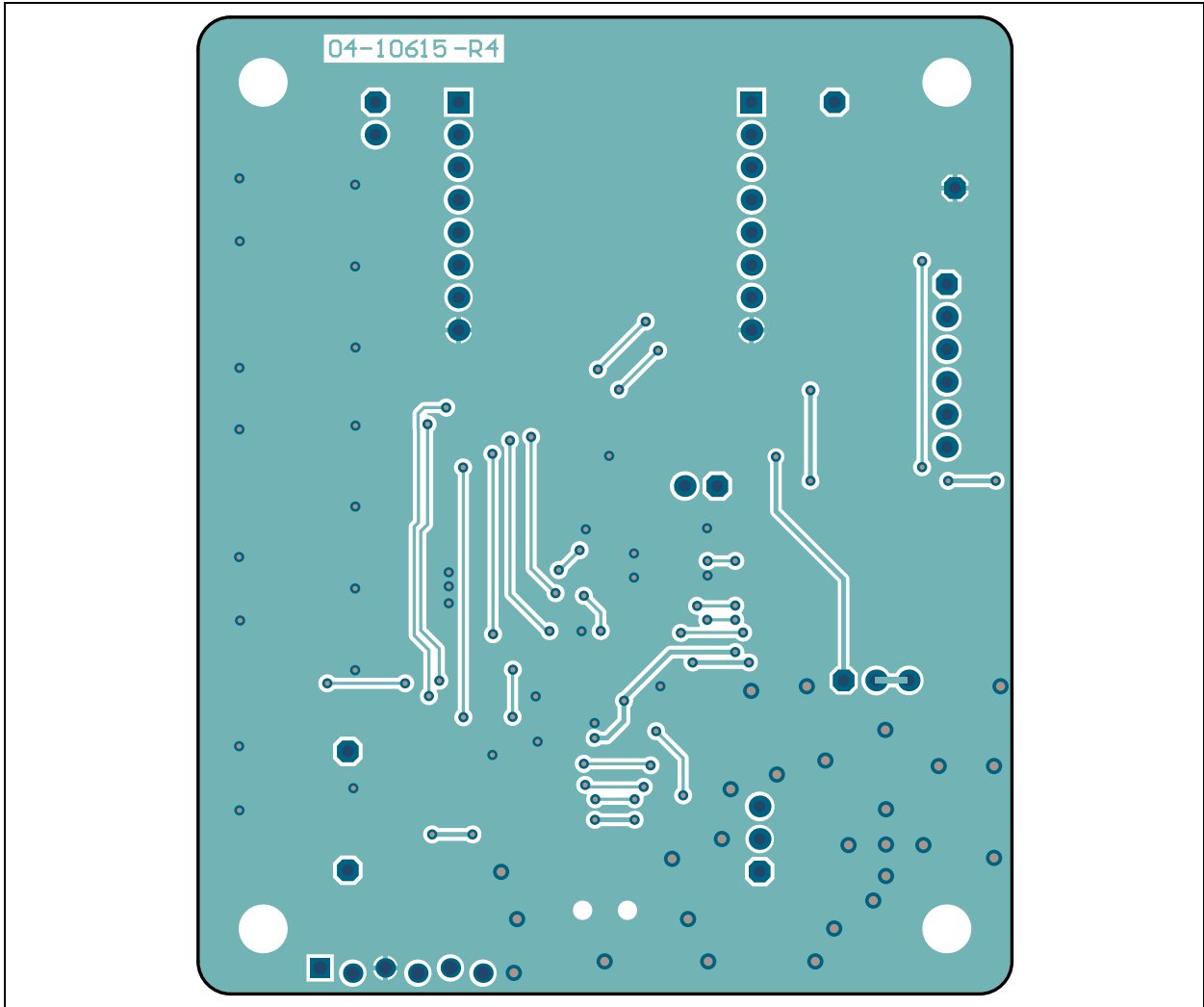
# MCP251XFD CAN FD Motherboard User's Guide

---

## A.8 BOARD – TOP COPPER

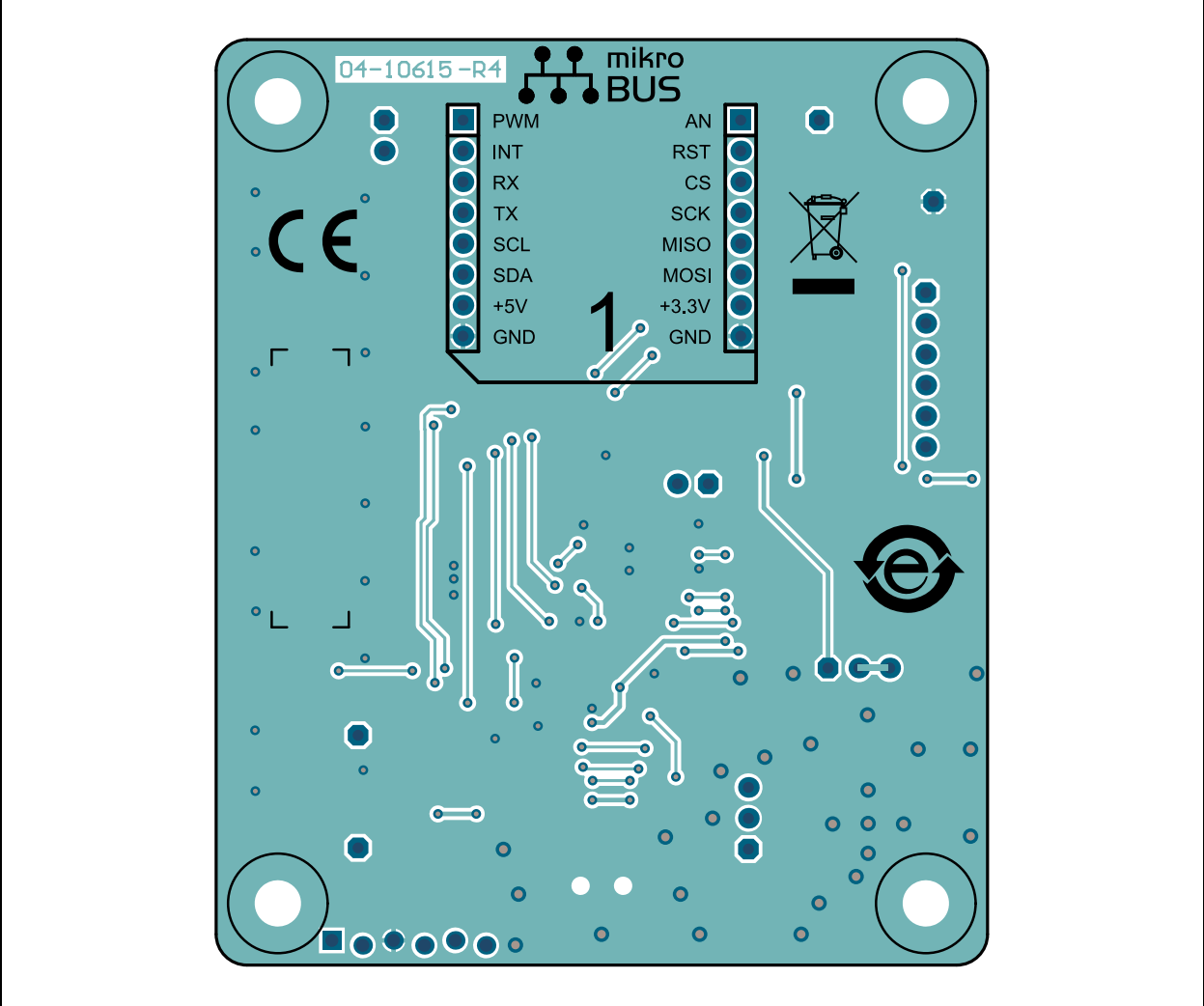


## A.9 BOARD – BOTTOM COPPER

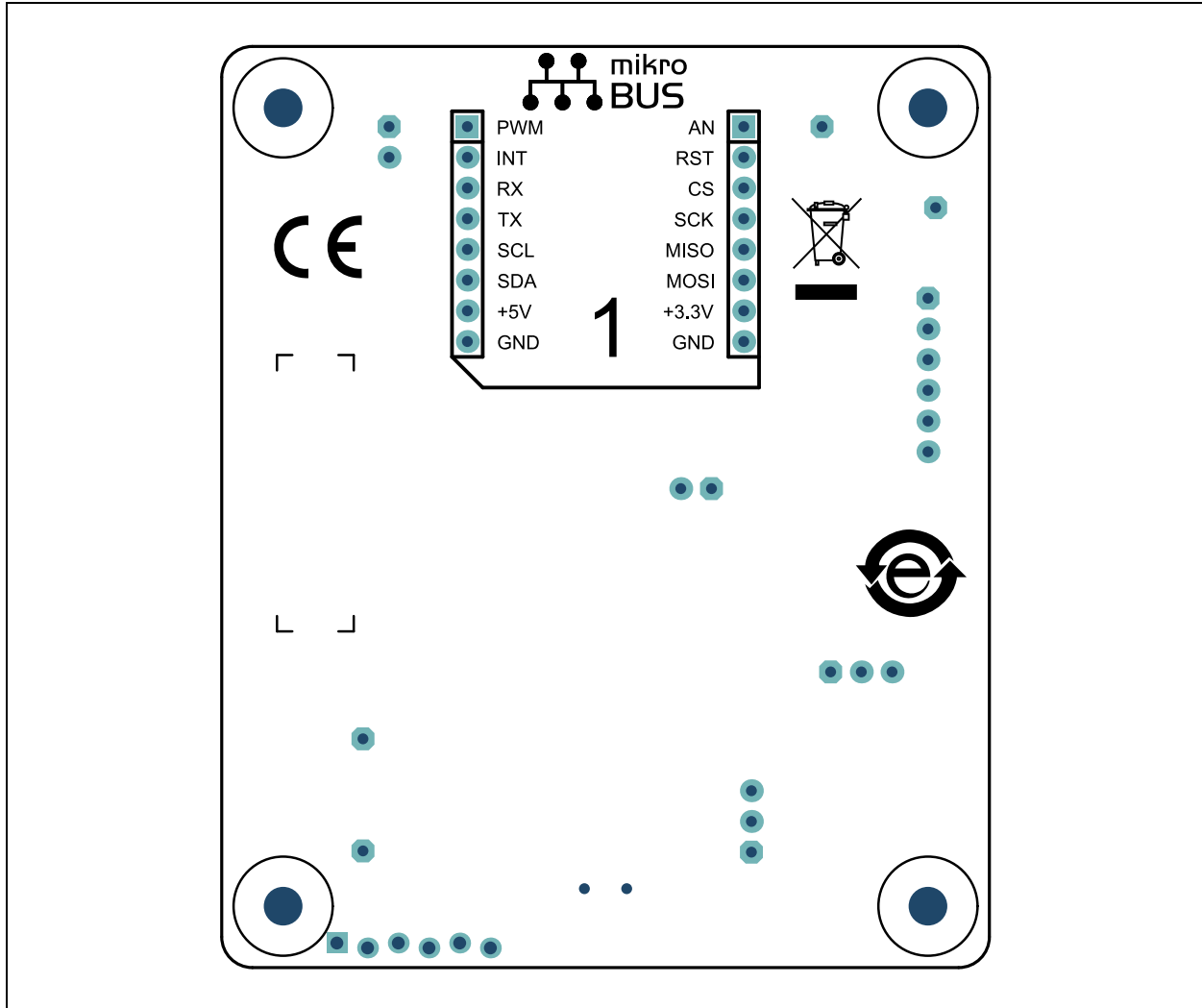


# MCP251XFD CAN FD Motherboard User's Guide

## A.10 BOARD – BOTTOM COPPER AND SILK



## A.11 BOARD – BOTTOM SILK



# MCP251XFD CAN FD Motherboard User's Guide

---

NOTES:





# MCP251XFD CAN FD MOTHERBOARD USER'S GUIDE

## Appendix B. Bill of Materials (BOM)

**TABLE B-1: BILL OF MATERIALS (BOM) <sup>(1)</sup>**

Qty.	Reference	Description	Manufacturer	Part Number
8	C1, C2, C3, C4, C5, C6, C7, C8	Cap. cer. 0.1 uF 50V 10% X7R SMD 0603	Murata Electronics®	GRM188R71H104KA93D
1	C9	Cap. cer. 10 UF 25V 20% X5R SMD 0603	Murata Electronics®	GRM188R61E106MA73D
2	C10, C11	Cap. cer. 22 uF 16V 10% X5R SMD 0805	TDK Corporation	C2012X5R1C226K
1	C12	Cap. cer. 4.7 uF 10V 10% X5R SMD 0805	Panasonic® - ECG	ECJ-GVB1A475M
10	D1, D2, D3, D4, D5, D6, D7, D8, D9, D10	LED 0805 green 525 NM 400 MCD 20 MA	QT-Brightek Corporation	QBLP631-IG
2	J1, J2	Conn. hdr.-2.54 female 1x8 tin TH. vert.	Sullins Connector Solutions	PPTC081LFBN-RC
1	J3	Conn. hdr.-2.54 male 1x1 gold 5.84 MH TH. vert.	TE Connectivity Alcoswitch	5-146280-1
1	J4	Conn. hdr.-2.54 male 1x6 tin 5.84 MH TH. vert.	Sullins Connector Solutions	PEC06SAAN
3	J5, J8, J9	Conn. TP loop tin SMD	Harwin Plc.	S1751-46R
1	J11	Conn. hdr.-2.54 male 1x2 tin 5.84 MH TH. vert.	Sullins Connector Solutions	PREC002SAAN-RC
1	J12	Conn. hdr. breakaway .100 40 pos. vert.	TE Connectivity, Ltd.	4-103239-0
1	J14	Conn. USB mini-B female SMD R/A	Hirose Electric Co. Ltd.	UX60-MB-5ST
1	JP1	Conn. hdr.-2.54 male 1x3 tin 5.84 MH TH. vert.	Samtec, Inc.	TSW-103-07-T-S
10	R1, R2, R3, R4, R5, R6, R7, R8, R18, R19	Resistor TKF 2k 1% 1/10W SMD 0603	Stackpole Electronics, Inc.	RMCF0603FT2K00
5	R9, R10, R12, R14, R16	Resistor TKF 20k 1% 1/10W SMD 0603	Yageo Corporation	9C06031A2002FKHFT
5	R11, R13, R15, R17, R20	Resistor TKF 470R 1% 1/10W SMD 0603	Yageo Corporation	RC0603FR-07470RL
5	S1, S2, S3, S4, S5	Switch tact. spst. 12V 50 mA TL3301NF160QG/TR SMD	E-Switch®, Inc.	TL3301NF260QG/TR
1	U1	PIC32MX470F512H	Microchip Technology Inc.	PIC32MX470F512H-120/PT
1	U2	Microchip Analog LDO 3.3V MCP1826S-3302E/DB SOT-223-3	Microchip Technology Inc.	MCP1826S-3302E/DB

**Note 1:** The components listed in this Bill of Materials are representative of the PCB assembly. The released BOM used in manufacturing uses all RoHS-compliant components.

# MCP251XFD CAN FD Motherboard User's Guide

---

---

**TABLE B-1: BILL OF MATERIALS (BOM) (CONTINUED)<sup>(1)</sup>**

Qty.	Reference	Description	Manufacturer	Part Number
1	X1	Microchip Analog Oscillator 8 MHz DSC1121DI5-8.000 L2.5W2H0.85	Microchip Technology Inc.	DSC1121DI5-8.000

**Note 1:** The components listed in this Bill of Materials are representative of the PCB assembly. The released BOM used in manufacturing uses all RoHS-compliant components.



# MCP251XFD CAN FD MOTHERBOARD USER'S GUIDE

---

---

## Appendix C. MCP2517FD click Board Schematics

---

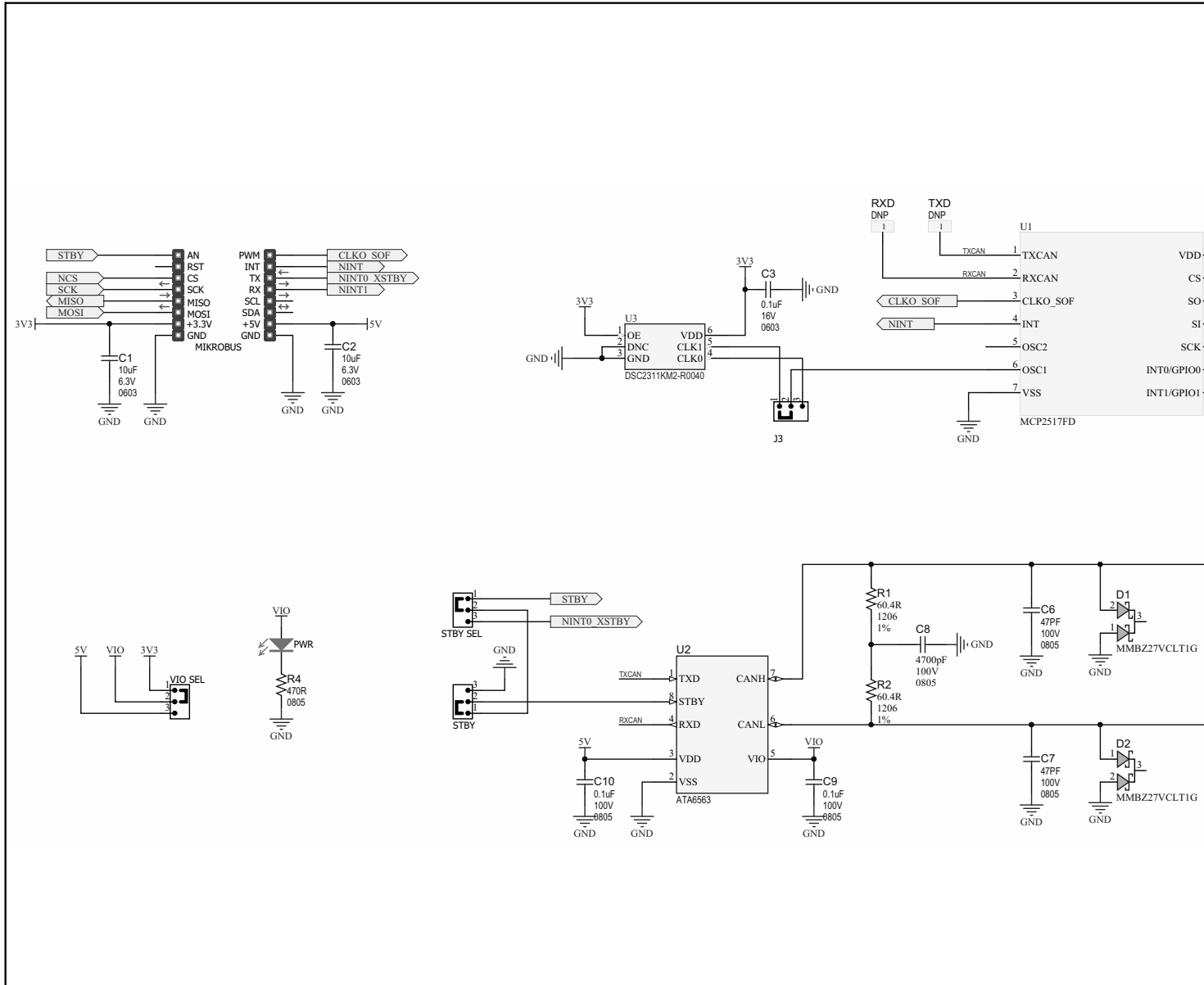
---

### C.1 INTRODUCTION

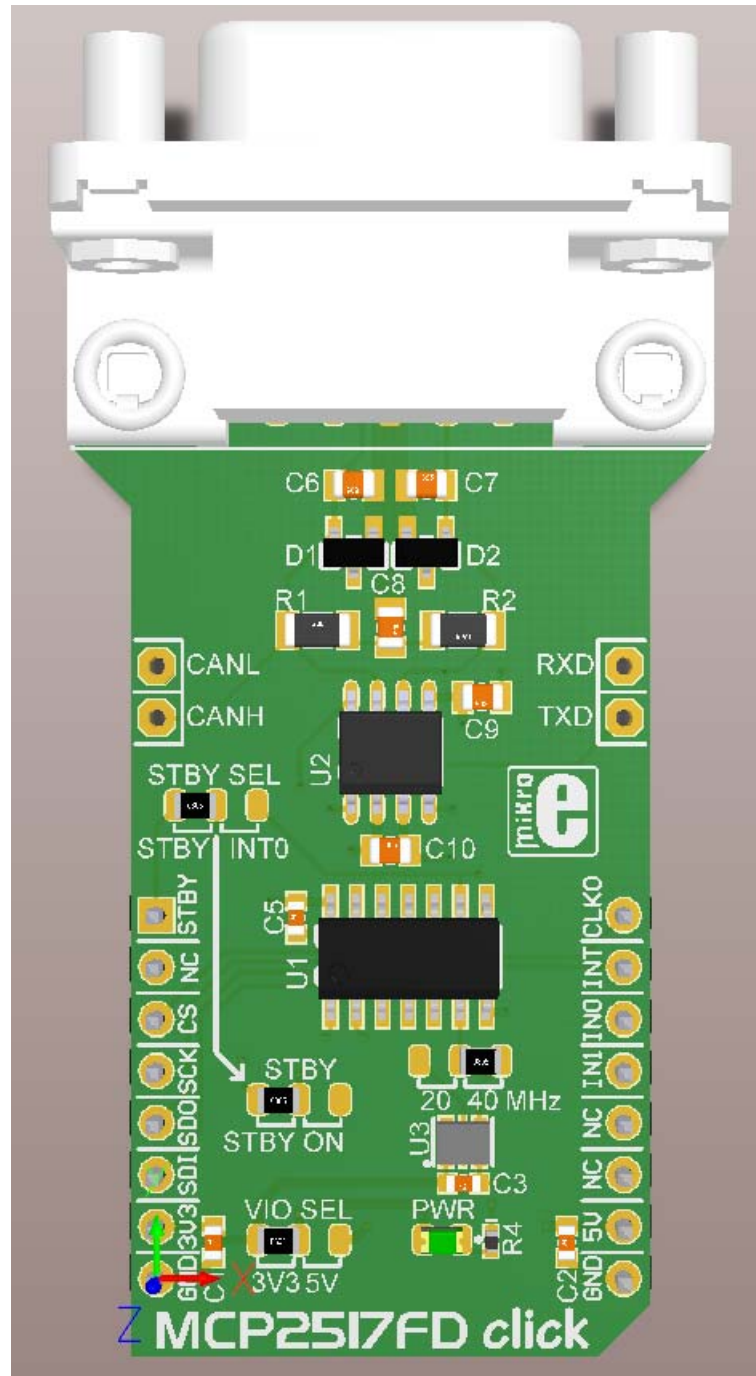
This appendix contains the schematics and layout of the MCP2517FD click Board:

- Schematics - MCP2517FD click Board
- Board – Top View
- Board – Bottom View

### C.2 SCHEMATICS - MCP2517FD CLICK BOARD

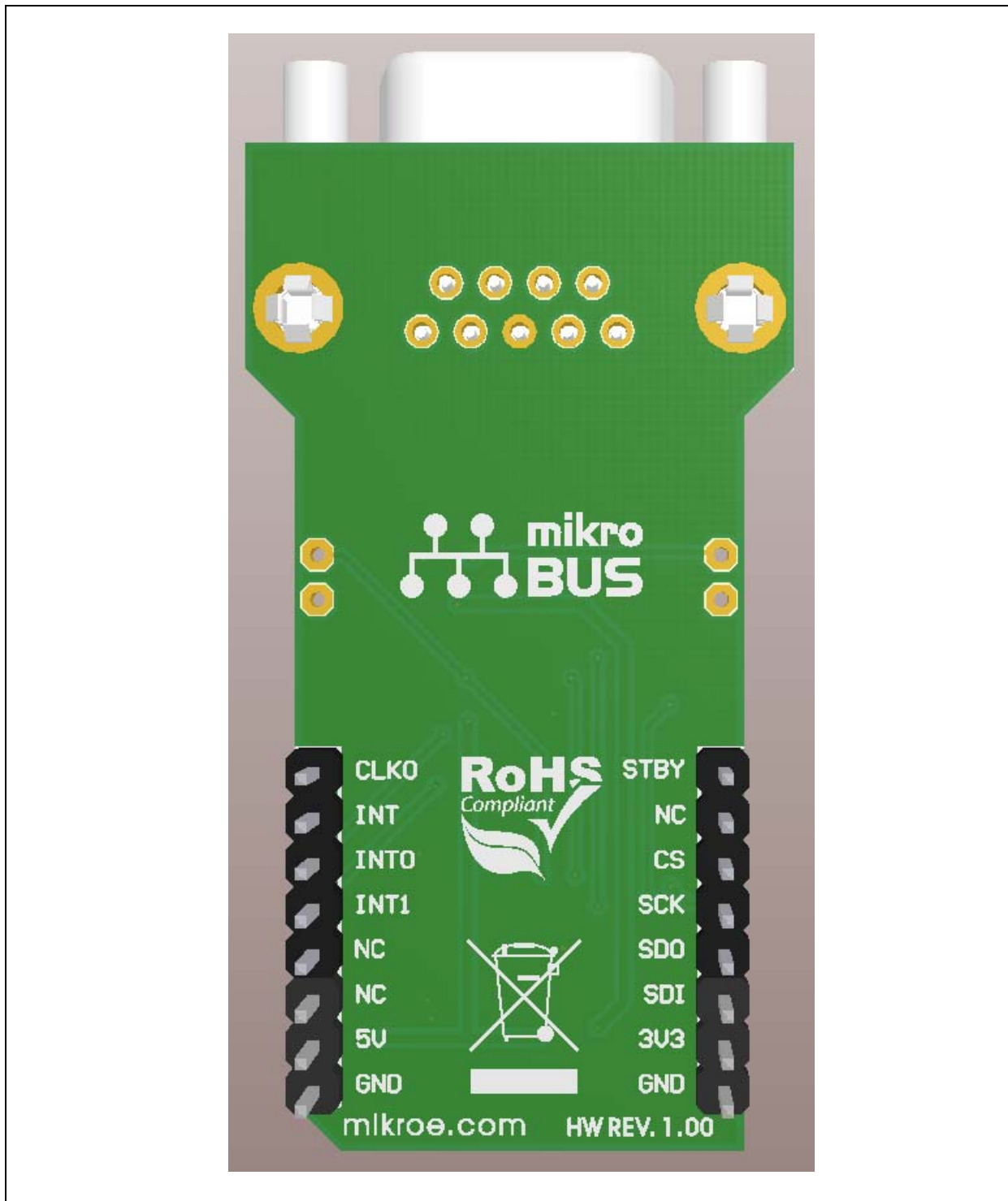


### C.3 BOARD – TOP VIEW



# MCP251XFD CAN FD Motherboard User's Guide

## C.4 BOARD – BOTTOM VIEW





# MICROCHIP

## Worldwide Sales and Service

### AMERICAS

**Corporate Office**  
2355 West Chandler Blvd.  
Chandler, AZ 85224-6199  
Tel: 480-792-7200  
Fax: 480-792-7277  
Technical Support:  
<http://www.microchip.com/support>  
Web Address:  
[www.microchip.com](http://www.microchip.com)

**Atlanta**  
Duluth, GA  
Tel: 678-957-9614  
Fax: 678-957-1455

**Austin, TX**  
Tel: 512-257-3370

**Boston**  
Westborough, MA  
Tel: 774-760-0087  
Fax: 774-760-0088

**Chicago**  
Itasca, IL  
Tel: 630-285-0071  
Fax: 630-285-0075

**Dallas**  
Addison, TX  
Tel: 972-818-7423  
Fax: 972-818-2924

**Detroit**  
Novi, MI  
Tel: 248-848-4000

**Houston, TX**  
Tel: 281-894-5983

**Indianapolis**  
Noblesville, IN  
Tel: 317-773-8323  
Fax: 317-773-5453  
Tel: 317-536-2380

**Los Angeles**  
Mission Viejo, CA  
Tel: 949-462-9523  
Fax: 949-462-9608  
Tel: 951-273-7800

**Raleigh, NC**  
Tel: 919-844-7510

**New York, NY**  
Tel: 631-435-6000

**San Jose, CA**  
Tel: 408-735-9110  
Tel: 408-436-4270

**Canada - Toronto**  
Tel: 905-695-1980  
Fax: 905-695-2078

### ASIA/PACIFIC

**Asia Pacific Office**  
Suites 3707-14, 37th Floor  
Tower 6, The Gateway  
Harbour City, Kowloon

**Hong Kong**  
Tel: 852-2943-5100  
Fax: 852-2401-3431

**Australia - Sydney**  
Tel: 61-2-9868-6733  
Fax: 61-2-9868-6755

**China - Beijing**  
Tel: 86-10-8569-7000  
Fax: 86-10-8528-2104

**China - Chengdu**  
Tel: 86-28-8665-5511  
Fax: 86-28-8665-7889

**China - Chongqing**  
Tel: 86-23-8980-9588  
Fax: 86-23-8980-9500

**China - Dongguan**  
Tel: 86-769-8702-9880

**China - Guangzhou**  
Tel: 86-20-8755-8029

**China - Hangzhou**  
Tel: 86-571-8792-8115  
Fax: 86-571-8792-8116

**China - Hong Kong SAR**  
Tel: 852-2943-5100  
Fax: 852-2401-3431

**China - Nanjing**  
Tel: 86-25-8473-2460  
Fax: 86-25-8473-2470

**China - Qingdao**  
Tel: 86-532-8502-7355  
Fax: 86-532-8502-7205

**China - Shanghai**  
Tel: 86-21-3326-8000  
Fax: 86-21-3326-8021

**China - Shenyang**  
Tel: 86-24-2334-2829  
Fax: 86-24-2334-2393

**China - Shenzhen**  
Tel: 86-755-8864-2200  
Fax: 86-755-8203-1760

**China - Wuhan**  
Tel: 86-27-5980-5300  
Fax: 86-27-5980-5118

**China - Xian**  
Tel: 86-29-8833-7252  
Fax: 86-29-8833-7256

### ASIA/PACIFIC

**China - Xiamen**  
Tel: 86-592-2388138  
Fax: 86-592-2388130

**China - Zhuhai**  
Tel: 86-756-3210040  
Fax: 86-756-3210049

**India - Bangalore**  
Tel: 91-80-3090-4444  
Fax: 91-80-3090-4123

**India - New Delhi**  
Tel: 91-11-4160-8631  
Fax: 91-11-4160-8632

**India - Pune**  
Tel: 91-20-3019-1500

**Japan - Osaka**  
Tel: 81-6-6152-7160  
Fax: 81-6-6152-9310

**Japan - Tokyo**  
Tel: 81-3-6880-3770  
Fax: 81-3-6880-3771

**Korea - Daegu**  
Tel: 82-53-744-4301  
Fax: 82-53-744-4302

**Korea - Seoul**  
Tel: 82-2-554-7200  
Fax: 82-2-558-5932 or  
82-2-558-5934

**Malaysia - Kuala Lumpur**  
Tel: 60-3-6201-9857  
Fax: 60-3-6201-9859

**Malaysia - Penang**  
Tel: 60-4-227-8870  
Fax: 60-4-227-4068

**Philippines - Manila**  
Tel: 63-2-634-9065  
Fax: 63-2-634-9069

**Singapore**  
Tel: 65-6334-8870  
Fax: 65-6334-8850

**Taiwan - Hsin Chu**  
Tel: 886-3-5778-366  
Fax: 886-3-5770-955

**Taiwan - Kaohsiung**  
Tel: 886-7-213-7830

**Taiwan - Taipei**  
Tel: 886-2-2508-8600  
Fax: 886-2-2508-0102

**Thailand - Bangkok**  
Tel: 66-2-694-1351  
Fax: 66-2-694-1350

### EUROPE

**Austria - Wels**  
Tel: 43-7242-2244-39  
Fax: 43-7242-2244-393

**Denmark - Copenhagen**  
Tel: 45-4450-2828  
Fax: 45-4485-2829

**Finland - Espoo**  
Tel: 358-9-4520-820

**France - Paris**  
Tel: 33-1-69-53-63-20  
Fax: 33-1-69-30-90-79

**France - Saint Cloud**  
Tel: 33-1-30-60-70-00

**Germany - Garching**  
Tel: 49-8931-9700

**Germany - Haan**  
Tel: 49-2129-3766400

**Germany - Heilbronn**  
Tel: 49-7131-67-3636

**Germany - Karlsruhe**  
Tel: 49-721-625370

**Germany - Munich**  
Tel: 49-89-627-144-0  
Fax: 49-89-627-144-44

**Germany - Rosenheim**  
Tel: 49-8031-354-560

**Israel - Ra'anana**  
Tel: 972-9-744-7705

**Italy - Milan**  
Tel: 39-0331-742611  
Fax: 39-0331-466781

**Italy - Padova**  
Tel: 39-049-7625286

**Netherlands - Drunen**  
Tel: 31-416-690399  
Fax: 31-416-690340

**Norway - Trondheim**  
Tel: 47-7289-7561

**Poland - Warsaw**  
Tel: 48-22-3325737

**Romania - Bucharest**  
Tel: 40-21-407-87-50

**Spain - Madrid**  
Tel: 34-91-708-08-90  
Fax: 34-91-708-08-91

**Sweden - Gothenberg**  
Tel: 46-31-704-60-40

**Sweden - Stockholm**  
Tel: 46-8-5090-4654

**UK - Wokingham**  
Tel: 44-118-921-5800  
Fax: 44-118-921-5820

## X-ON Electronics

Largest Supplier of Electrical and Electronic Components

*Click to view similar products for [Interface Development Tools](#) category:*

*Click to view products by [Microchip](#) manufacturer:*

Other Similar products are found below :

[ADP5585CP-EVALZ](#) [CHA2066-99F](#) [AS8650-DB](#) [MLX80104 TESTINTERFACE](#) [416100120-3](#) [XR18910ILEVB](#) [XR21B1421IL28-0A-EVB](#) [TW-DONGLE-USB](#) [EVAL-ADM2491EEBZ](#) [MAXREFDES23DB#](#) [MAX13235EEVKIT](#) [DFR0257](#) [XR22404CG28EVB](#) [ZLR964122L](#) [ZLR88822L](#) [EVK-U23-01S](#) [EVK-W262U-00](#) [DC327A](#) [PIM511](#) [PIM536](#) [PIM517](#) [DEV-17512](#) [STR-FUSB3307MPX-PPS-GEVK](#) [MAXREFDES177#](#) [EVAL-ADM2567EEBZ](#) [ZSSC3240KIT](#) [MAX9121EVKIT](#) [PIM532](#) [ZSC31010KITV2P1](#) [UMFT4233HPEV](#) [LVDS-18B-EVK](#) [XR20M1170G16-0A-EB](#) [XR20M1170G16-0B-EB](#) [XR20M1170G24-0B-EB](#) [XR20M1172G28-0A-EB](#) [XR20M1172G28-0B-EB](#) [SI871XSOIC8-KIT](#) [1764](#) [1833](#) [1862](#) [EVB-USB82514](#) [ATA6628-EK](#) [ATA6631-EK](#) [EVAL-CN0313-SDPZ](#) [2264](#) [MCP23X17EV](#) [PS081-EVA-HR MODULE](#) [237](#) [SMA2RJ45EVK/NOPB](#) [FR12-0002](#)