



**MICROCHIP**

---

**MIC2128**  
**Evaluation Board**  
**User's Guide**

---

---

**Note the following details of the code protection feature on Microchip devices:**

- Microchip products meet the specification contained in their particular Microchip Data Sheet.
- Microchip believes that its family of products is one of the most secure families of its kind on the market today, when used in the intended manner and under normal conditions.
- There are dishonest and possibly illegal methods used to breach the code protection feature. All of these methods, to our knowledge, require using the Microchip products in a manner outside the operating specifications contained in Microchip's Data Sheets. Most likely, the person doing so is engaged in theft of intellectual property.
- Microchip is willing to work with the customer who is concerned about the integrity of their code.
- Neither Microchip nor any other semiconductor manufacturer can guarantee the security of their code. Code protection does not mean that we are guaranteeing the product as "unbreakable."

Code protection is constantly evolving. We at Microchip are committed to continuously improving the code protection features of our products. Attempts to break Microchip's code protection feature may be a violation of the Digital Millennium Copyright Act. If such acts allow unauthorized access to your software or other copyrighted work, you may have a right to sue for relief under that Act.

---

Information contained in this publication regarding device applications and the like is provided only for your convenience and may be superseded by updates. It is your responsibility to ensure that your application meets with your specifications. MICROCHIP MAKES NO REPRESENTATIONS OR WARRANTIES OF ANY KIND WHETHER EXPRESS OR IMPLIED, WRITTEN OR ORAL, STATUTORY OR OTHERWISE, RELATED TO THE INFORMATION, INCLUDING BUT NOT LIMITED TO ITS CONDITION, QUALITY, PERFORMANCE, MERCHANTABILITY OR FITNESS FOR PURPOSE. Microchip disclaims all liability arising from this information and its use. Use of Microchip devices in life support and/or safety applications is entirely at the buyer's risk, and the buyer agrees to defend, indemnify and hold harmless Microchip from any and all damages, claims, suits, or expenses resulting from such use. No licenses are conveyed, implicitly or otherwise, under any Microchip intellectual property rights unless otherwise stated.

*Microchip received ISO/TS-16949:2009 certification for its worldwide headquarters, design and wafer fabrication facilities in Chandler and Tempe, Arizona; Gresham, Oregon and design centers in California and India. The Company's quality system processes and procedures are for its PIC<sup>®</sup> MCUs and dsPIC<sup>®</sup> DSCs, KEELOQ<sup>®</sup> code hopping devices, Serial EEPROMs, microperipherals, nonvolatile memory and analog products. In addition, Microchip's quality system for the design and manufacture of development systems is ISO 9001:2000 certified.*

**QUALITY MANAGEMENT SYSTEM  
CERTIFIED BY DNV  
= ISO/TS 16949 =**

### Trademarks

The Microchip name and logo, the Microchip logo, AnyRate, dsPIC, FlashFlex, flexPWR, Heldo, JukeBlox, KeeLoq, KeeLoq logo, Klear, LANCheck, LINK MD, MediaLB, MOST, MOST logo, MPLAB, OptoLyzer, PIC, PICSTART, PIC32 logo, RightTouch, SpyNIC, SST, SST Logo, SuperFlash and UNI/O are registered trademarks of Microchip Technology Incorporated in the U.S.A. and other countries.

ClockWorks, The Embedded Control Solutions Company, ETHERSYNCH, Hyper Speed Control, HyperLight Load, IntelliMOS, mTouch, Precision Edge, and QUIET-WIRE are registered trademarks of Microchip Technology Incorporated in the U.S.A.

Analog-for-the-Digital Age, Any Capacitor, AnyIn, AnyOut, BodyCom, chipKIT, chipKIT logo, CodeGuard, dsPICDEM, dsPICDEM.net, Dynamic Average Matching, DAM, ECAN, EtherGREEN, In-Circuit Serial Programming, ICSP, Inter-Chip Connectivity, JitterBlocker, KlearNet, KlearNet logo, MiWi, motorBench, MPASM, MPF, MPLAB Certified logo, MPLIB, MPLINK, MultiTRAK, NetDetach, Omniscient Code Generation, PICDEM, PICDEM.net, PICKit, PICtail, PureSilicon, RightTouch logo, REAL ICE, Ripple Blocker, Serial Quad I/O, SQL, SuperSwitcher, SuperSwitcher II, Total Endurance, TSHARC, USBCheck, VariSense, ViewSpan, WiperLock, Wireless DNA, and ZENA are trademarks of Microchip Technology Incorporated in the U.S.A. and other countries.

SQTP is a service mark of Microchip Technology Incorporated in the U.S.A.

Silicon Storage Technology is a registered trademark of Microchip Technology Inc. in other countries.

GestIC is a registered trademarks of Microchip Technology Germany II GmbH & Co. KG, a subsidiary of Microchip Technology Inc., in other countries.

All other trademarks mentioned herein are property of their respective companies.

© 2016, Microchip Technology Incorporated, Printed in the U.S.A., All Rights Reserved.

ISBN: 978-1-5224-0916-8

---

---

**Object of Declaration: MIC2128 Evaluation Board**

EU Declaration of Conformity

Manufacturer: Microchip Technology Inc.  
2355 W. Chandler Blvd.  
Chandler, Arizona, 85224-6199  
USA

This declaration of conformity is issued by the manufacturer.

The development/evaluation tool is designed to be used for research and development in a laboratory environment. This development/evaluation tool is not a Finished Appliance, nor is it intended for incorporation into Finished Appliances that are made commercially available as single functional units to end users under EU EMC Directive 2004/108/EC and as supported by the European Commission's Guide for the EMC Directive 2004/108/EC (8<sup>th</sup> February 2010).

This development/evaluation tool complies with EU RoHS2 Directive 2011/65/EU.

This development/evaluation tool, when incorporating wireless and radio-telecom functionality, is in compliance with the essential requirement and other relevant provisions of the R&TTE Directive 1999/5/EC and the FCC rules as stated in the declaration of conformity provided in the module datasheet and the module product page available at [www.microchip.com](http://www.microchip.com).

For information regarding the exclusive, limited warranties applicable to Microchip products, please see Microchip's standard terms and conditions of sale, which are printed on our sales documentation and available at [www.microchip.com](http://www.microchip.com).

Signed for and on behalf of Microchip Technology Inc. at Chandler, Arizona, USA

  
Derek Carlson  
VP Development Tools

12-Sep-14  
Date

---

---

**NOTES:**



# MIC2128 EVALUATION BOARD USER'S GUIDE

## Table of Contents

<b>Preface</b> .....	<b>7</b>
Introduction.....	7
Document Layout .....	7
Conventions Used in this Guide .....	8
Warranty Registration.....	8
Recommended Reading.....	9
The Microchip Website.....	9
Product Change Notification Service.....	9
Customer Support .....	9
Document Revision History .....	9
<b>Chapter 1. Product Overview</b>	
1.1 Introduction .....	11
1.2 MIC2128 Evaluation Board Overview .....	11
1.3 MIC2128 Evaluation Board Features .....	12
1.4 What the MIC2128 Evaluation Board Kit Contains .....	12
<b>Chapter 2. Installation and Operation</b>	
2.1 System and Configuration Requirements .....	13
2.2 Board Setup .....	13
2.3 Circuit Description .....	14
2.3.1 Feedback Resistors .....	14
2.3.2 SW Node .....	14
2.3.3 Current Limit .....	14
2.3.4 Loop Gain Measurement .....	16
2.3.5 Setting the Switching Frequency .....	16
2.3.6 Setting the Soft-Start Time .....	17
2.3.7 Auxiliary Bootstrap LDO (EXTVDD) .....	18
<b>Appendix A. Schematic and Layouts</b>	
A.1 Introduction .....	19
A.2 Board – Schematic .....	20
A.3 Board – Top Silk Layer .....	21
A.4 Board – Top Copper layer .....	22
A.5 Board – Mid Copper Layer 1 .....	23
A.6 Board – Mid Copper Layer 2 .....	24
A.7 Board – Bottom Copper layer .....	25
A.8 Board – Bottom Silk Layer .....	26
<b>Appendix B. Bill of Materials (BOM)</b> .....	<b>27</b>
<b>Worldwide Sales and Service</b> .....	<b>30</b>

# MIC2128 Evaluation Board User's Guide

---

NOTES:

---

---

## Preface

---

---

### NOTICE TO CUSTOMERS

All documentation becomes dated, and this manual is no exception. Microchip tools and documentation are constantly evolving to meet customer needs, so some actual dialogs and/or tool descriptions may differ from those in this document. Please refer to our website ([www.microchip.com](http://www.microchip.com)) to obtain the latest documentation available.

Documents are identified with a “DS” number. This number is located on the bottom of each page, in front of the page number. The numbering convention for the DS number is “DSXXXXXXXXA”, where “XXXXXXXX” is the document number and “A” is the revision level of the document.

For the most up-to-date information on development tools, see the MPLAB® IDE online help. Select the Help menu, and then Topics, to open a list of available online help files.

## INTRODUCTION

This chapter contains general information that will be useful to know before using the MIC2128 Evaluation Board. Items discussed in this chapter include:

- [Document Layout](#)
- [Conventions Used in this Guide](#)
- [Recommended Reading](#)
- [The Microchip Website](#)
- [Customer Support](#)
- [Document Revision History](#)

## DOCUMENT LAYOUT

This document describes how to use the MIC2128 Evaluation Board as a development tool to emulate and debug firmware on a target board. The manual layout is as follows:

- **Chapter 1. “Product Overview”** – Important information about the MIC2128 Evaluation Board.
- **Chapter 2. “Installation and Operation”** – Includes instructions on installing and starting the MIC2128 Evaluation Board.
- **Appendix A. “Schematic and Layouts”** – Shows the schematic and layout diagrams for the MIC2128 Evaluation Board.
- **Appendix B. “Bill of Materials (BOM)”** – Lists the parts used to build the MIC2128 Evaluation Board.

# MIC2128 Evaluation Board User's Guide

## CONVENTIONS USED IN THIS GUIDE

This manual uses the following documentation conventions:

### DOCUMENTATION CONVENTIONS

Description	Represents	Examples
<b>Arial font:</b>		
Italic characters	Referenced books	<i>MPLAB® IDE User's Guide</i>
	Emphasized text	...is the <i>only</i> compiler...
Initial caps	A window	the Output window
	A dialog	the Settings dialog
	A menu selection	select Enable Programmer
Quotes	A field name in a window or dialog	"Save project before build"
Underlined, italic text with right angle bracket	A menu path	<u><i>File</i></u> >Save
Bold characters	A dialog button	Click <b>OK</b>
	A tab	Click the <b>Power</b> tab
N'Rnnnn	A number in verilog format, where N is the total number of digits, R is the radix and n is a digit.	4'b0010, 2'hF1
Text in angle brackets < >	A key on the keyboard	Press <Enter>, <F1>
<b>Courier New font:</b>		
Plain Courier New	Sample source code	#define START
	Filenames	autoexec.bat
	File paths	c:\mcc18\h
	Keywords	_asm, _endasm, static
	Command-line options	-Opa+, -Opa-
	Bit values	0, 1
	Constants	0xFF, 'A'
Italic Courier New	A variable argument	<i>file.o</i> , where <i>file</i> can be any valid filename
Square brackets [ ]	Optional arguments	mcc18 [options] <i>file</i> [options]
Curly brackets and pipe character: {   }	Choice of mutually exclusive arguments; an OR selection	errorlevel {0 1}
Ellipses...	Replaces repeated text	var_name [, var_name...]
	Represents code supplied by user	void main (void) { ... }



## RECOMMENDED READING

This user's guide describes how to use the MIC2128 Evaluation Board. Another useful document is listed below. The following Microchip document is available and recommended as a supplemental reference resource:

- **MIC2128YML Data Sheet – “75V, Synchronous Buck Controllers Featuring Adaptive On-Time Control” (DS20005620A)**

## THE MICROCHIP WEBSITE

Microchip provides online support via our website at [www.microchip.com](http://www.microchip.com). This website is used as a means to make files and information easily available to customers. Accessible by using your favorite Internet browser, the website contains the following information:

- **Product Support** – Data sheets and errata, application notes and sample programs, design resources, user's guides and hardware support documents, latest software releases and archived software
- **General Technical Support** – Frequently Asked Questions (FAQs), technical support requests, online discussion groups, Microchip consultant program member listing
- **Business of Microchip** – Product selector and ordering guides, latest Microchip press releases, listing of seminars and events, listings of Microchip sales offices, distributors and factory representatives

## CUSTOMER SUPPORT

Users of Microchip products can receive assistance through several channels:

- Distributor or Representative
- Local Sales Office
- Field Application Engineer (FAE)
- Technical Support

Customers should contact their distributor, representative or field application engineer (FAE) for support. Local sales offices are also available to help customers. A listing of sales offices and locations is included in the back of this document.

Technical support is available through the website at:  
<http://www.microchip.com/support>.

## DOCUMENT REVISION HISTORY

### Revision A (September 2016)

- Initial release of this document.

# MIC2128 Evaluation Board User's Guide

---

NOTES:

## Chapter 1. Product Overview

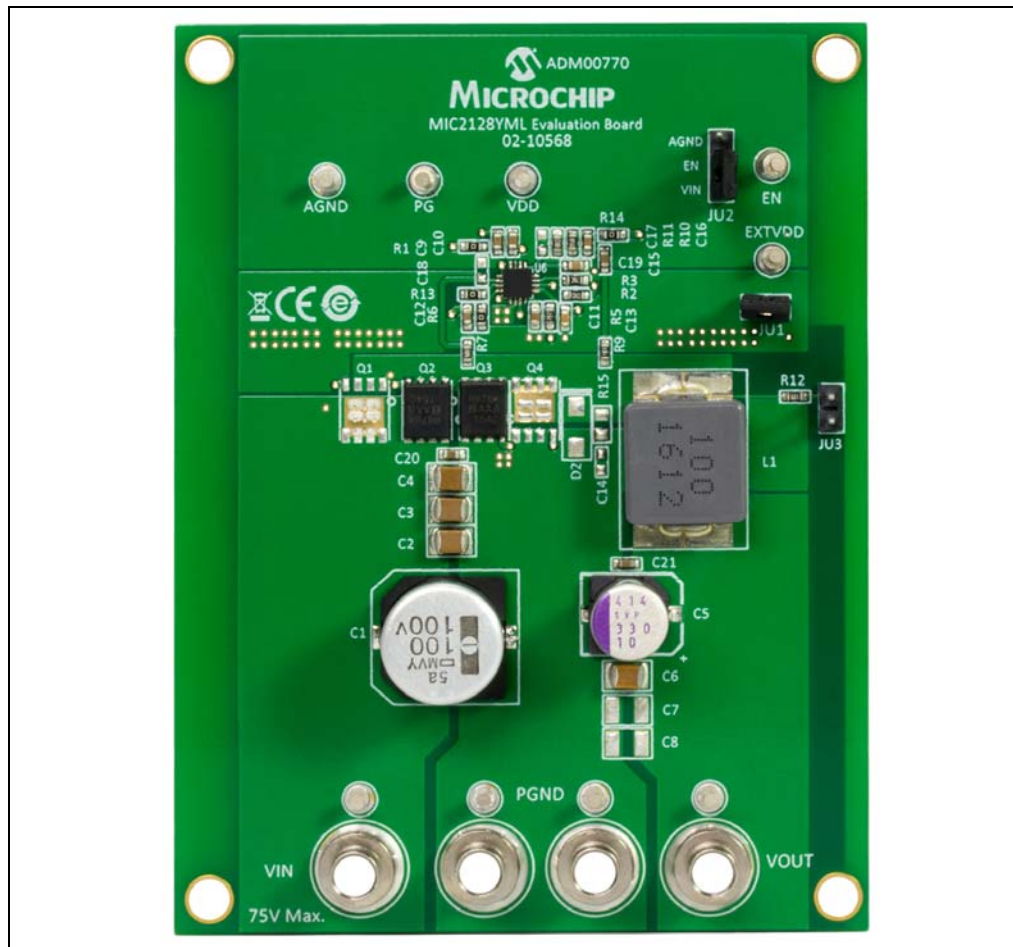
### 1.1 INTRODUCTION

This chapter provides an overview of the MIC2128 Evaluation Board and covers the following topics:

- MIC2128 Evaluation Board Overview
- MIC2128 Evaluation Board Features
- What the MIC2128 Evaluation Board Kit Contains

### 1.2 MIC2128 EVALUATION BOARD OVERVIEW

The MIC2128 Evaluation Board is a constant-frequency, synchronous buck controller featuring a unique adaptive on-time control architecture. The MIC2128 operates over an input supply range of 4.5V to 75V. The output voltage is adjustable down to 0.6V with a guaranteed accuracy of  $\pm 1\%$ . The device operates with programmable switching frequency from 270 kHz to 800 kHz.



**FIGURE 1-1:** MIC2128 Evaluation Board Overview.

# MIC2128 Evaluation Board User's Guide

---

## 1.3 MIC2128 EVALUATION BOARD FEATURES

The MIC2128 Evaluation Board:

- Features soft-start (SS) time selection pin which allows the user to adjust the output soft-start time to reduce inrush current from mains during startup
- Features an auxiliary bootstrap low-dropout (LDO) which improves the system efficiency by supplying the internal bias power from the output of the converter. A logic level enable (EN) signal can be used to enable or disable the controller.
- Can start up monotonically into a pre-biased output
- Features an open drain power good signal (PG) which signals when the output is in regulation
- Operates in discontinuous conduction mode during soft start at light loads

The basic parameters of the evaluation board are:

- Input: 7V to 75V (Optimized for 48V)
- Output: 5V at 5A
- 300 kHz Switching Frequency (adjustable 270 kHz to 800 kHz)

## 1.4 WHAT THE MIC2128 EVALUATION BOARD KIT CONTAINS

The MIC2128 Evaluation Board includes the following items:

- MIC2128 Evaluation Board (ADM00770)
- Important Information Sheet

---

---

## Chapter 2. Installation and Operation

---

---

### 2.1 SYSTEM AND CONFIGURATION REQUIREMENTS

The MIC2128 Evaluation Board requires only a single power supply with at least 10A current capability. The MIC2128 has internal  $V_{DD}$  LDO so no external linear regulator is required to power the internal biasing of the IC. In the applications with  $V_{IN} < +5.5V$ ,  $P_{VDD}$  should be tied to  $V_{IN}$  to by-pass the internal linear regulator. The output load can either be a passive or an active load.

**Note:** The MIC2128 Evaluation Board does not have reverse polarity protection. Applying a negative voltage to the  $V_{VIN}$  and GND terminals may damage the device. The maximum  $V_{VIN}$  of the board is rated at 75V. Exceeding 75V on the  $V_{VIN}$  could damage the device.

### 2.2 BOARD SETUP

Follow these steps prior to using the MIC2128 Evaluation Board:

1. Connect a supply to the  $V_{IN}$  and GND terminals, paying careful attention to the polarity and the supply range ( $7V < V_{VIN} < 75V$ ). Monitor  $I_{IN}$  with a current meter and input voltage at  $V_{VIN}$  and GND terminals with voltmeter. Do not apply power until Step 4.
2. Connect a load to the  $V_{OUT}$  and GND terminals. The load can be either a passive (resistive) or an active (electronic) type. A current meter may be placed between the  $V_{OUT}$  terminal and load to monitor the output current. Ensure the output voltage is monitored at the  $V_{OUT}$  terminal.
3. Enable Input. An EN connector is provided on the evaluation board for users to easily access the enable feature. Applying an external logic signal on the EN pin to pull it low, or using a jumper to short the EN pin to GND, will shut off the output of the MIC2128 Evaluation Board.
4. Turn on the  $V_{VIN}$  supply and verify that the output voltage is regulated to 5V.

# MIC2128 Evaluation Board User's Guide

---

## 2.3 CIRCUIT DESCRIPTION

This section describes the working principles and limitations that should be taken into account when using the MIC2128 Evaluation Board.

### 2.3.1 Feedback Resistors

The output voltage on the MIC2128 Evaluation Board, which is preset to 5V, is determined by the feedback divider:

**EQUATION 2-1: EQUATION 1**

$$V_{OUT} = V_{REF} \times \left(1 + \frac{R10}{R11}\right)$$

The MIC2128 output is optimized for 5V output. All other voltages other than 5V can be set by modifying R11 value according to:

**EQUATION 2-2: EQUATION 2**

$$R11 = \frac{R10 \times V_{REF}}{V_{OUT} - V_{REF}}$$

where:

$$V_{REF} = 0.6V$$

Note that the output voltage should not be set to exceed 5V due to the 6.3V voltage rating on the output capacitors.

For output voltage higher than 5V, output capacitors and EXTV<sub>DD</sub> pin bypass capacitor (C13) of voltage rating higher than the set output voltage should be used.

### 2.3.2 SW Node

Test point JU3 (V<sub>SW</sub>) is placed for monitoring the switching waveform, one of the most critical waveforms for the converter.

### 2.3.3 Current Limit

The MIC2128 Evaluation Board uses the low-side MOSFET R<sub>DS(ON)</sub> to sense inductor current. In each switching cycle of the MIC2128 converter, the inductor current is sensed by monitoring the voltage across the low-side MOSFET during the OFF period of the switching cycle during which low-side MOSFET is ON. An internal current source of 96  $\mu$ A generates a voltage across the external current limit setting resistor RCL as show in [Figure 2-1](#).

The ILIM pin voltage (V<sub>ILIM</sub>) is the difference of the voltage across the low-side MOSFET and the voltage across the resistor (V<sub>CL</sub>). The sensed voltage VILIM is compared with the power ground (PGND) after a blanking time of 150 ns.

If the absolute value of the voltage drop across the low-side MOSFET is greater than the absolute value of the voltage across the current setting resistor (V<sub>CL</sub>), the MIC2128 triggers the current limit event. Consecutive eight current limit events trigger the Hiccup mode. The hiccup sequence, including the soft start, reduces the stress on the switching field-effect transistors (FETs) and protects the load and supply from severe short conditions.

# Installation and Operation

The short circuit current limit can be programmed by using the following formula:

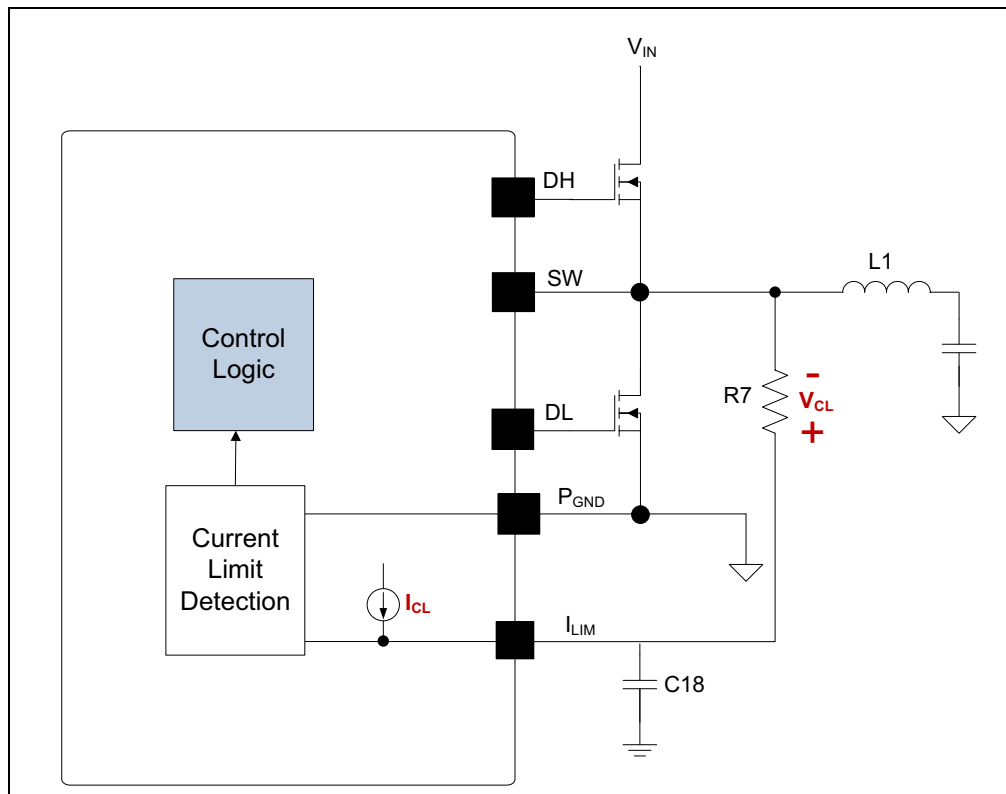
**EQUATION 2-3: EQUATION 3**

$$R_7 = \frac{(I_{CLIM} + \Delta_{PP} \times 0.5) \times R_{DS(ON)} + V_{CL}}{I_{CL}}$$

where:

- $I_{CLIM}$  = Desired current limit
- $\Delta_{PP}$  = Inductor current peak-to-peak
- $R_{DS(ON)}$  = On resistance of low-side power MOSFET
- $V_{CL}$  = Current-limit threshold. The maximum value is +15 mV.
- $I_{CL}$  = Current-limit source current. The typical value is 96  $\mu$ A.

The short circuit current limit is depicted in [Figure 2-1](#):



**FIGURE 2-1:** MIC2128 Current-Limiting Circuit.

It is mandatory to make sure that the inductor current used to charge the output capacitance during soft start is under the current limit, otherwise the supply will go in Hiccup mode and may not finish the soft start successfully.

The MOSFET  $R_{DS(ON)}$  varies 30% to 40% with temperature. Therefore, it is recommended to add a 30% margin to  $I_{CL}$  in the above equation to avoid false current limiting due to increased MOSFET junction temperature rise. It is also recommended to connect the SW pin directly to the drain of the low-side MOSFET to accurately sense the MOSFET's  $R_{DS(ON)}$ .

# MIC2128 Evaluation Board User's Guide

## 2.3.4 Loop Gain Measurement

Resistor R14 is placed in series with the regulator feedback path. The control loop gain can be measured by connecting an impedance analyzer across the resistor and selecting the resistor value between 20Ω to 50Ω.

## 2.3.5 Setting the Switching Frequency

The MIC2128 Evaluation Board is an adjustable-frequency, synchronous buck controller featuring a unique adaptive on-time control architecture. The switching frequency can be adjusted between 270 kHz and 800 kHz by changing the resistor divider network consisting of R2 and R3.

The following formula provides the estimated switching frequency:

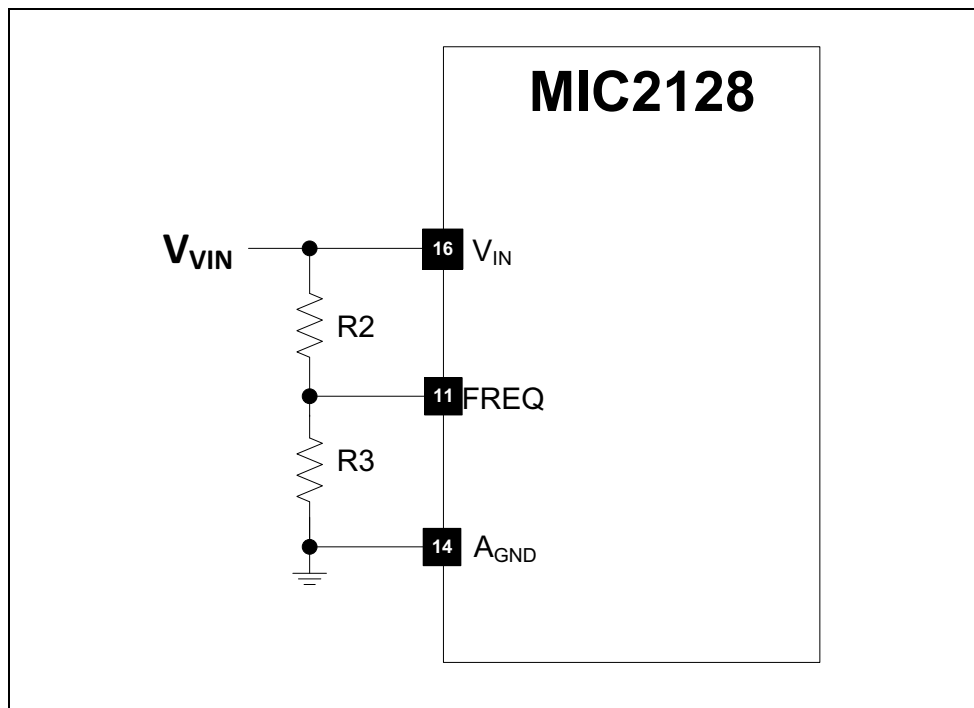
**EQUATION 2-4: EQUATION 4**

$$f_{sw} = f_0 \times \frac{R3}{R2 + R3}$$

where:

$f_0$  = Switching Frequency when R2 is 100Ω and R3 is open,  $f_0$  is typically 800 kHz. For a more precise setting, it is recommended to use the Switching Frequency graph from the data sheet.

The evaluation board design is optimized for a switching frequency of 300 kHz. If the switching frequency is programmed to either lower end or higher end, the design needs optimization. The switching frequency adjustment is depicted in [Figure 2-2](#):

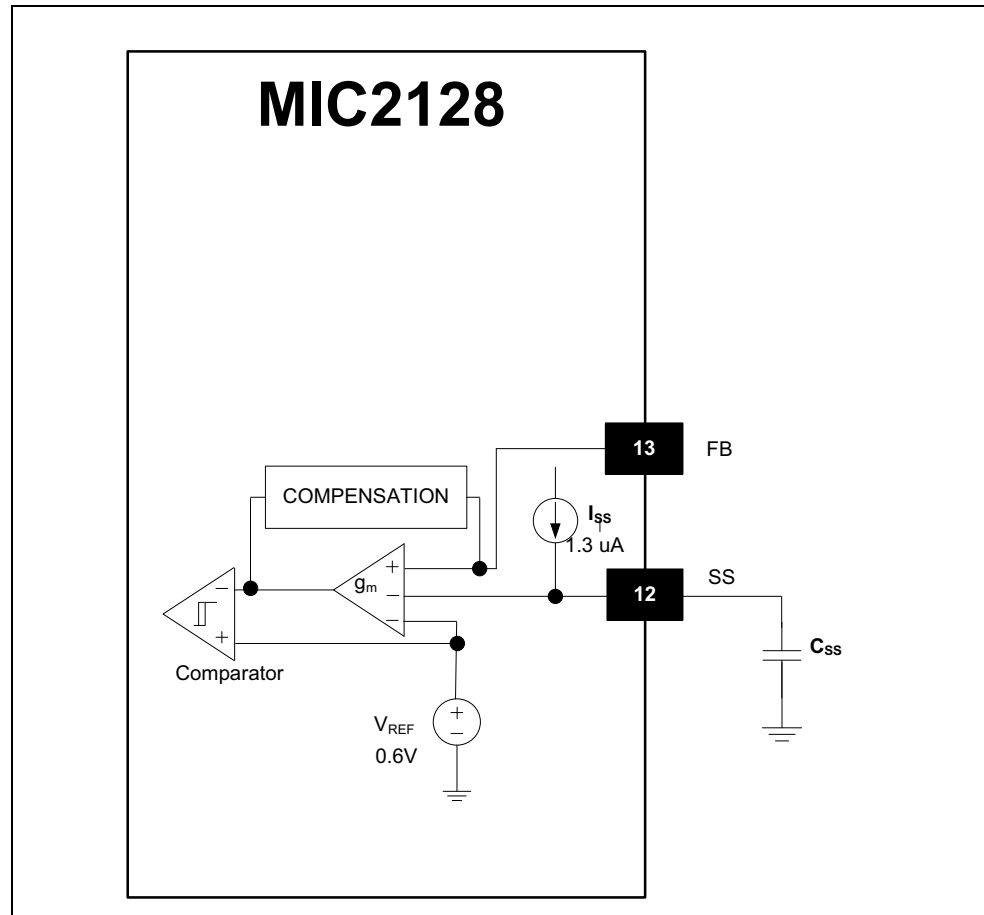


**FIGURE 2-2:** Switching Frequency Adjustment.



## 2.3.6 Setting the Soft-Start Time

The output soft-start time can be set by connecting a capacitor from SS to AGND as shown in Figure 2-3.



**FIGURE 2-3:** Setting the Soft-Start Time.

The value of the capacitor can be calculated using the following equation:

**EQUATION 2-5: EQUATION 5**

$$C_{19} = \frac{I_{SS} \times t_{SS}}{V_{REF}}$$

where:

C <sub>19</sub>	=	Capacitor from SS pin to AGND
I <sub>SS</sub>	=	Internal soft-start current (1.3 uA typical)
t <sub>SS</sub>	=	Output soft-start time
V <sub>REF</sub>	=	Reference voltage (0.6V)

## 2.3.7 Auxiliary Bootstrap LDO (EXTVDD)

The MIC2128 Evaluation Board features an auxiliary bootstrap LDO which improves the system efficiency by supplying the MIC2128 internal circuit bias power from the converter output voltage. This LDO is enabled when the voltage on the EXTVDD pin is above 4.6V (typical) and at the same time, the main LDO which operates from  $V_{IN}$ , is disabled to reduce power consumption. If the regulator output voltage is  $\geq 5V$  and  $\leq 12V$ , use output voltage to power the MIC2128, which will increase system efficiency. The JU1 jumper can be shorted to use output voltage as EXTVDD.



# MIC2128 EVALUATION BOARD USER'S GUIDE

---

---

## Appendix A. Schematic and Layouts

---

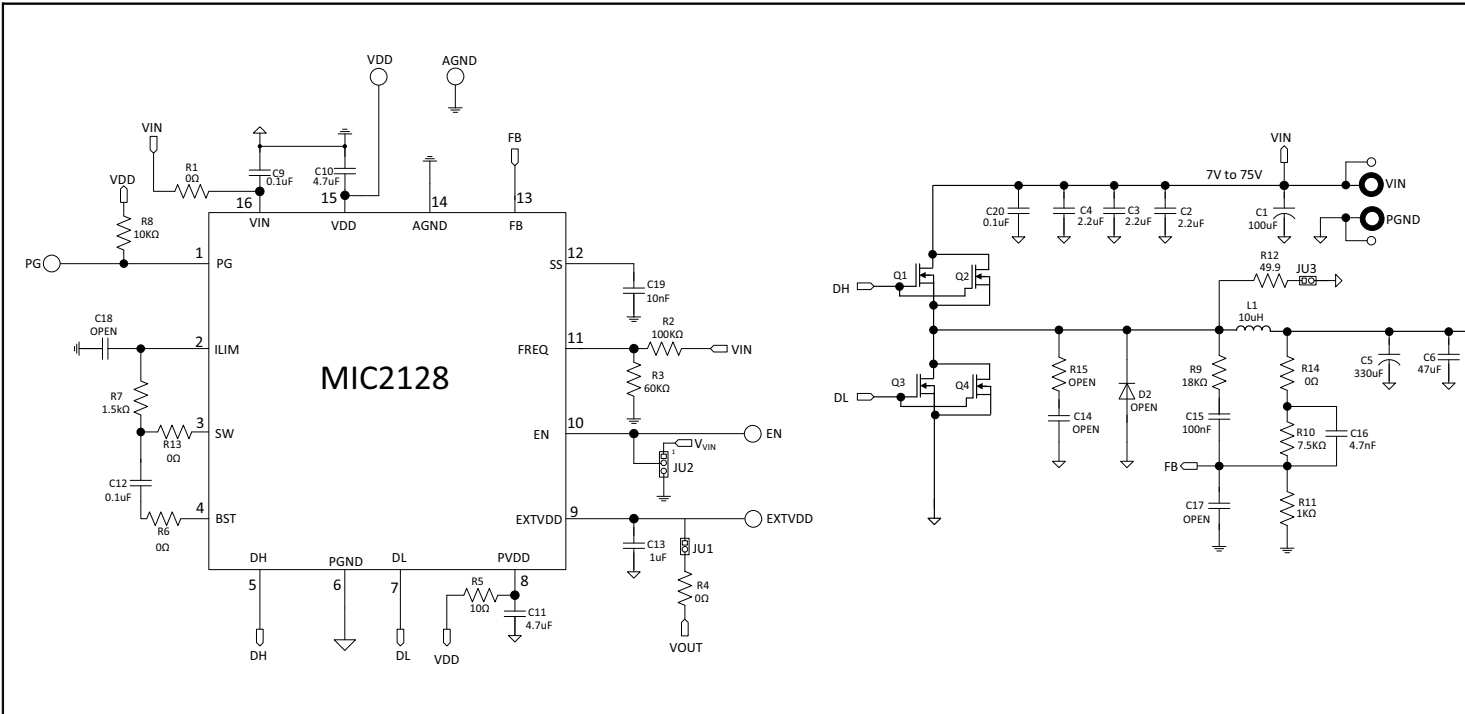
---

### A.1 INTRODUCTION

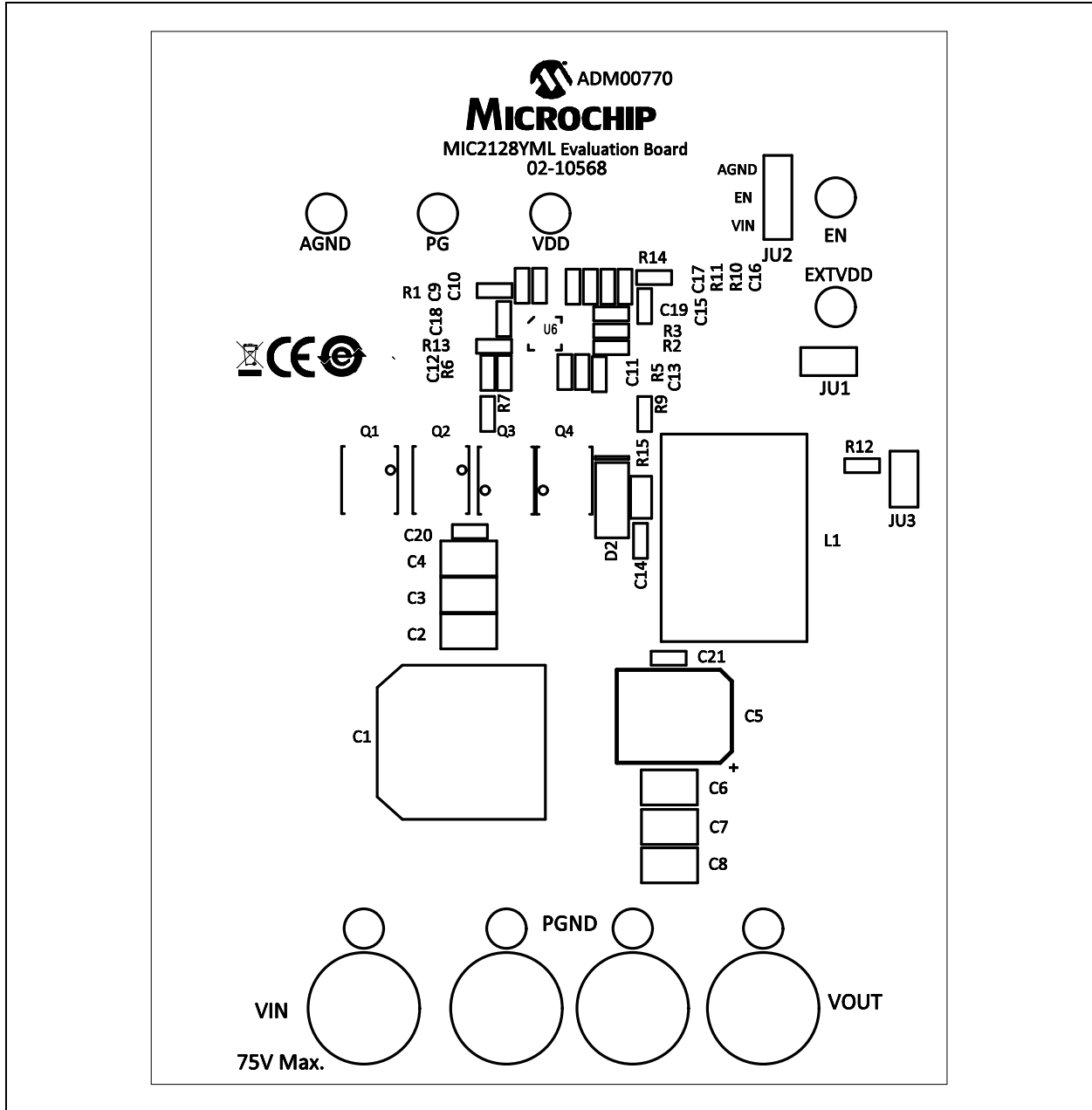
This appendix contains the following schematics and layouts for the MIC2128 Evaluation Board :

- Board – Schematic
- Board – Top Silk Layer
- Board – Top Copper layer
- Board – Mid Copper Layer 1
- Board – Mid Copper Layer 2
- Board – Bottom Copper layer
- Board – Bottom Silk Layer

### A.2 BOARD – SCHEMATIC

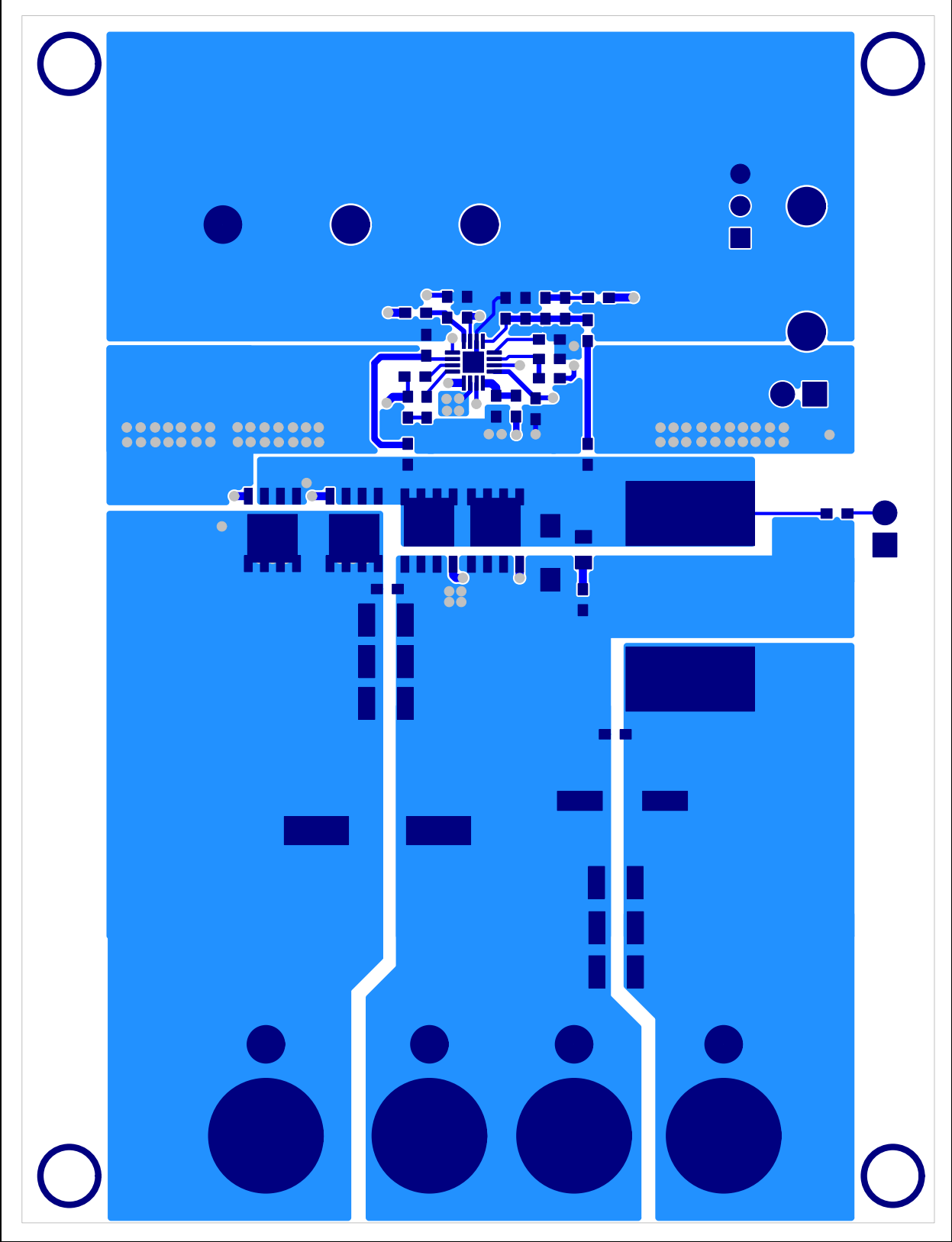


## A.3 BOARD – TOP SILK LAYER



# MIC2128 Evaluation Board User's Guide

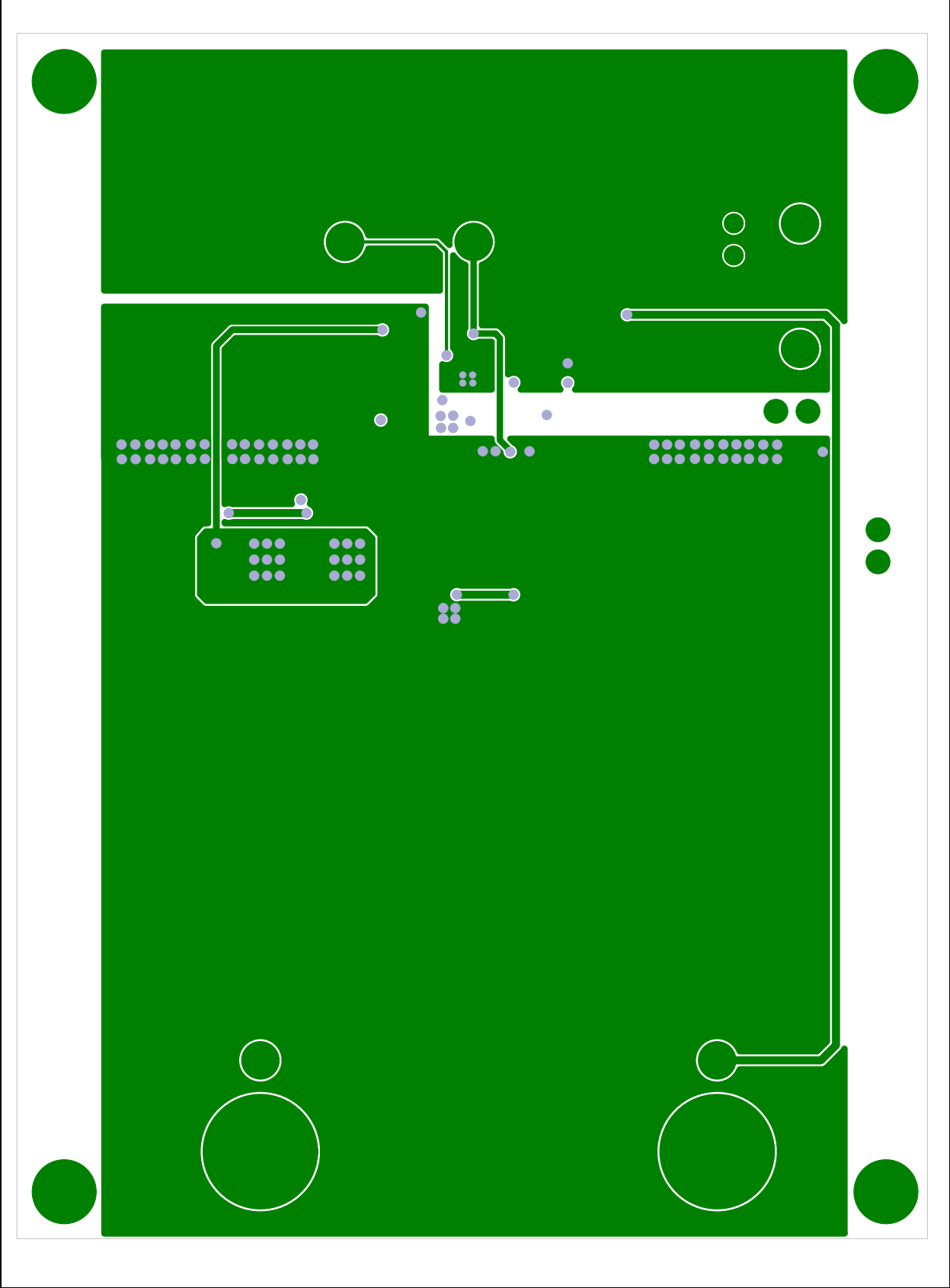
## A.4 BOARD – TOP COPPER LAYER





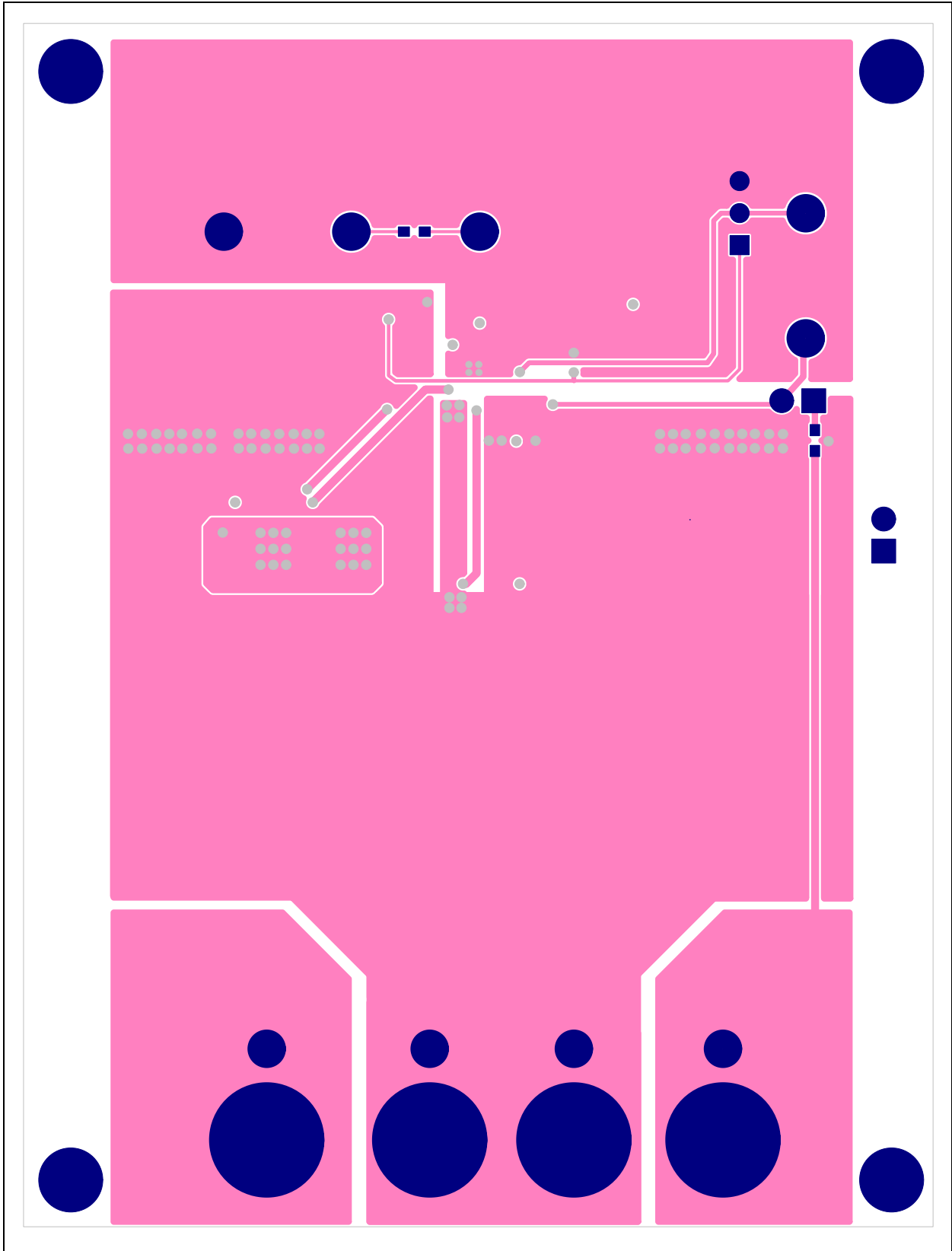
# MIC2128 Evaluation Board User's Guide

## A.6 BOARD – MID COPPER LAYER 2





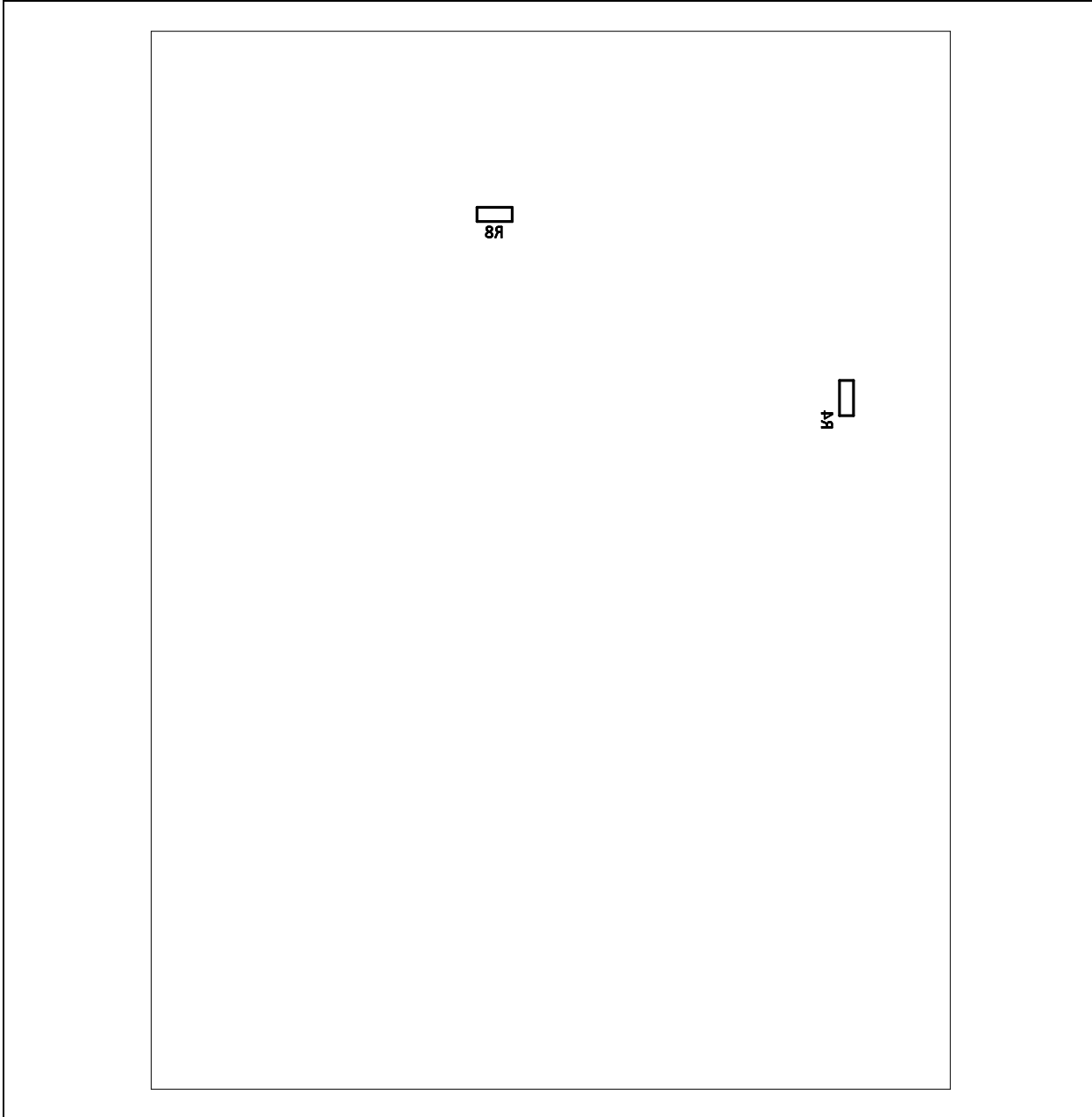
## A.7 BOARD – BOTTOM COPPER LAYER



# MIC2128 Evaluation Board User's Guide

---

## A.8 BOARD – BOTTOM SILK LAYER





# MIC2128 EVALUATION BOARD USER'S GUIDE

## Appendix B. Bill of Materials (BOM)

TABLE B-1: BILL OF MATERIALS (BOM)

Qty.	Reference	Description	Manufacturer	Part Number
1	C1	100 $\mu$ F, 100V, 20%, 330 m $\Omega$ ,	United Chemi-Con	EMVY101ARA101MKE0S
3	C2, C3, C4	2.2 $\mu$ F, X7R, 100V, 10%	Murata Electronics®	GRM32ER72A225K
1	C5	330 $\mu$ F, 10V, 17 m $\Omega$ ,	Panasonic® - ECG	10SVP330M
1	C6	47 $\mu$ F, X7R, 10V, 10%	Murata Electronics	GRM32ER71A476K
0	C7, C8	1210 mm size MLCC capacitor <b>DO NOT POPULATE</b>		
3	C9, C20, C21	0.1 $\mu$ F, X7R, 100V, 10%	Murata Electronics	GRM188R72A104K
2	C10, C11	4.7 $\mu$ F, X7R, 10V, 10%	Samsung Electro-Mechanics America, Inc.	CL10B475KQ8NQNC
1	C12	0.1 $\mu$ F, X7R, 16V, 10%	Murata Electronics	GRM188R71C104K
1	C13	1 $\mu$ F, X7R, 10V, 10%	Murata Electronics	GRM188R71A105K
0	C14	0603 size capacitor <b>DO NOT POPULATE</b>		
1	C15	100 nF, 100V, 10%, X7R	Murata Electronics	GRM188R72A104K
1	C16	4.7 nF, X7R, 1 6V	Murata Electronics	GRM188R71C472KA
0	C17	0603 size MLCC capacitor <b>DO NOT POPULATE</b>		
0	C18	0603 size MLCC capacitor <b>DO NOT POPULATE</b>		
1	C19	10 nF, X7R, 6.3V, 1 0%	Murata Electronics	GRM188R70J103K
1	PCB	MIC2128 Evaluation Board	<b>Microchip Technology Inc.</b>	02-10568
5	R1,R4,R6,R13,R14	0 $\Omega$ , 0603 size resistor	Yageo Corporation	RC0603FR-070RL
1	R2	100K, 0603 size resistor	Yageo Corporation	RC0603FR-07100KL
1	R3	60K, 0603 size resistor	Yageo Corporation	RC0603FR-0760K4L
1	R5	10 $\Omega$ , 0603 size resistor	Yageo Corporation	RC0603FR-0710RL
1	R7	1.3K, 0603 size resistor	Yageo Corporation	RC0603FR-071K3L
1	R8	10K, 0603 size resistor	Yageo Corporation	RC0603FR-0710KL
1	R9	18K, 0603 size resistor	Yageo Corporation	RC0603FR-0718KL
1	R10	7.5K, 0603 size resistor	Yageo Corporation	RC0603FR-077K5L
1	R11	1K, 0603 size resistor	Yageo Corporation	RC0603FR-071KL
	R12	49.9K, 0603 size resistor	Yageo Corporation	RC0603FR-0749R9L
0	R15	0805 size resistor <b>DO NOT POPULATE</b>		

**Note 1:** The components listed in this Bill of Materials are representative of the PCB assembly. The released BOM used in manufacturing uses all RoHS-compliant components.

# MIC2128 Evaluation Board User's Guide

**TABLE B-2: BILL OF MATERIALS (BOM) - MECHANICAL PARTS**

Qty.	Reference	Description	Manufacturer	Part Number
0	D2	100V Schottky diode, power PAK S08 (5.15 mm X 6.15 mm) <b>DO NOT POPULATE</b>		
2	JU1, JU3	2-pin Header (100 mil pitch)	TE Connectivity, Ltd.	5-146278-2
1	JU2	3-pin Header (100 mil pitch)	TE Connectivity, Ltd.	5-146282-3
9	PG, AGND, VDD, EN, EXTVDD, VIN, PGND, VOUT, PGND	Terminal double turret (through hole, noninsulated)	Keystone Electronics Corp.	1593-2
1	L1	10 $\mu$ H inductor, size 13.5 mm X 12.5 mm X 6.2 mm	Bourns <sup>®</sup> , Inc.	SRP1265A-100M
2	Q1, Q4	N-Channel MOSFET, power PAK S08 (5.15 mm X 6.15 mm) <b>DO NOT POPULATE</b>		
2	Q2, Q3	100V,40A N-Channel MOSFET, power PAK S08 (5.15 mm X 6.15 mm)	Vishay Intertechnology, Inc.	SIR878ADP
4	VIN, PGND, VOUT, PGND	Noninsulated banana jack	Keystone Electronics Corp.	575-4
2	Shunt	Shunts with closed top, (100 mil pitch)	Sullins Connector Solutions	SPC02SYAN

**Note 1:** The components listed in this Bill of Materials are representative of the PCB assembly. The released BOM used in manufacturing uses all RoHS-compliant components.

# Bill of Materials (BOM)

---

---

NOTES:



# MICROCHIP

## Worldwide Sales and Service

### AMERICAS

#### Corporate Office

2355 West Chandler Blvd.  
Chandler, AZ 85224-6199  
Tel: 480-792-7200  
Fax: 480-792-7277  
Technical Support:  
<http://www.microchip.com/support>

Web Address:  
[www.microchip.com](http://www.microchip.com)

#### Atlanta

Duluth, GA  
Tel: 678-957-9614  
Fax: 678-957-1455

#### Austin, TX

Tel: 512-257-3370

#### Boston

Westborough, MA  
Tel: 774-760-0087  
Fax: 774-760-0088

#### Chicago

Itasca, IL  
Tel: 630-285-0071  
Fax: 630-285-0075

#### Cleveland

Independence, OH  
Tel: 216-447-0464  
Fax: 216-447-0643

#### Dallas

Addison, TX  
Tel: 972-818-7423  
Fax: 972-818-2924

#### Detroit

Novi, MI  
Tel: 248-848-4000

#### Houston, TX

Tel: 281-894-5983

#### Indianapolis

Noblesville, IN  
Tel: 317-773-8323  
Fax: 317-773-5453

#### Los Angeles

Mission Viejo, CA  
Tel: 949-462-9523  
Fax: 949-462-9608

#### New York, NY

Tel: 631-435-6000

#### San Jose, CA

Tel: 408-735-9110

#### Canada - Toronto

Tel: 905-695-1980  
Fax: 905-695-2078

### ASIA/PACIFIC

#### Asia Pacific Office

Suites 3707-14, 37th Floor  
Tower 6, The Gateway  
Harbour City, Kowloon

#### Hong Kong

Tel: 852-2943-5100  
Fax: 852-2401-3431

#### Australia - Sydney

Tel: 61-2-9868-6733  
Fax: 61-2-9868-6755

#### China - Beijing

Tel: 86-10-8569-7000  
Fax: 86-10-8528-2104

#### China - Chengdu

Tel: 86-28-8665-5511  
Fax: 86-28-8665-7889

#### China - Chongqing

Tel: 86-23-8980-9588  
Fax: 86-23-8980-9500

#### China - Dongguan

Tel: 86-769-8702-9880

#### China - Guangzhou

Tel: 86-20-8755-8029

#### China - Hangzhou

Tel: 86-571-8792-8115  
Fax: 86-571-8792-8116

#### China - Hong Kong SAR

Tel: 852-2943-5100  
Fax: 852-2401-3431

#### China - Nanjing

Tel: 86-25-8473-2460  
Fax: 86-25-8473-2470

#### China - Qingdao

Tel: 86-532-8502-7355  
Fax: 86-532-8502-7205

#### China - Shanghai

Tel: 86-21-5407-5533  
Fax: 86-21-5407-5066

#### China - Shenyang

Tel: 86-24-2334-2829  
Fax: 86-24-2334-2393

#### China - Shenzhen

Tel: 86-755-8864-2200  
Fax: 86-755-8203-1760

#### China - Wuhan

Tel: 86-27-5980-5300  
Fax: 86-27-5980-5118

#### China - Xian

Tel: 86-29-8833-7252  
Fax: 86-29-8833-7256

### ASIA/PACIFIC

#### China - Xiamen

Tel: 86-592-2388138  
Fax: 86-592-2388130

#### China - Zhuhai

Tel: 86-756-3210040  
Fax: 86-756-3210049

#### India - Bangalore

Tel: 91-80-3090-4444  
Fax: 91-80-3090-4123

#### India - New Delhi

Tel: 91-11-4160-8631  
Fax: 91-11-4160-8632

#### India - Pune

Tel: 91-20-3019-1500

#### Japan - Osaka

Tel: 81-6-6152-7160  
Fax: 81-6-6152-9310

#### Japan - Tokyo

Tel: 81-3-6880-3770  
Fax: 81-3-6880-3771

#### Korea - Daegu

Tel: 82-53-744-4301  
Fax: 82-53-744-4302

#### Korea - Seoul

Tel: 82-2-554-7200  
Fax: 82-2-558-5932 or  
82-2-558-5934

#### Malaysia - Kuala Lumpur

Tel: 60-3-6201-9857  
Fax: 60-3-6201-9859

#### Malaysia - Penang

Tel: 60-4-227-8870  
Fax: 60-4-227-4068

#### Philippines - Manila

Tel: 63-2-634-9065  
Fax: 63-2-634-9069

#### Singapore

Tel: 65-6334-8870  
Fax: 65-6334-8850

#### Taiwan - Hsin Chu

Tel: 886-3-5778-366  
Fax: 886-3-5770-955

#### Taiwan - Kaohsiung

Tel: 886-7-213-7828

#### Taiwan - Taipei

Tel: 886-2-2508-8600  
Fax: 886-2-2508-0102

#### Thailand - Bangkok

Tel: 66-2-694-1351  
Fax: 66-2-694-1350

### EUROPE

#### Austria - Wels

Tel: 43-7242-2244-39  
Fax: 43-7242-2244-393

#### Denmark - Copenhagen

Tel: 45-4450-2828  
Fax: 45-4485-2829

#### France - Paris

Tel: 33-1-69-53-63-20  
Fax: 33-1-69-30-90-79

#### Germany - Dusseldorf

Tel: 49-2129-3766400

#### Germany - Karlsruhe

Tel: 49-721-625370

#### Germany - Munich

Tel: 49-89-627-144-0  
Fax: 49-89-627-144-44

#### Italy - Milan

Tel: 39-0331-742611  
Fax: 39-0331-466781

#### Italy - Venice

Tel: 39-049-7625286

#### Netherlands - Drunen

Tel: 31-416-690399  
Fax: 31-416-690340

#### Poland - Warsaw

Tel: 48-22-3325737

#### Spain - Madrid

Tel: 34-91-708-08-90  
Fax: 34-91-708-08-91

#### Sweden - Stockholm

Tel: 46-8-5090-4654

#### UK - Wokingham

Tel: 44-118-921-5800  
Fax: 44-118-921-5820

06/23/16

## X-ON Electronics

Largest Supplier of Electrical and Electronic Components

*Click to view similar products for [Power Management IC Development Tools](#) category:*

*Click to view products by [Microchip](#) manufacturer:*

Other Similar products are found below :

[EVB-EP5348UI](#) [MIC23451-AAAYFL EV](#) [MIC5281YMME EV](#) [124352-HMC860LP3E](#) [DA9063-EVAL](#) [ADP122-3.3-EVALZ](#) [ADP130-0.8-EVALZ](#) [ADP130-1.8-EVALZ](#) [ADP1740-1.5-EVALZ](#) [ADP1870-0.3-EVALZ](#) [ADP1874-0.3-EVALZ](#) [ADP199CB-EVALZ](#) [ADP2102-1.25-EVALZ](#) [ADP2102-1.875EVALZ](#) [ADP2102-1.8-EVALZ](#) [ADP2102-2-EVALZ](#) [ADP2102-3-EVALZ](#) [ADP2102-4-EVALZ](#) [AS3606-DB](#) [BQ25010EVM](#) [BQ3055EVM](#) [ISLUSBI2CKIT1Z](#) [LP38512TS-1.8EV](#) [EVAL-ADM1186-1MBZ](#) [EVAL-ADM1186-2MBZ](#) [ADP122UJZ-REDYKIT](#) [ADP166Z-REDYKIT](#) [ADP170-1.8-EVALZ](#) [ADP171-EVALZ](#) [ADP1853-EVALZ](#) [ADP1873-0.3-EVALZ](#) [ADP198CP-EVALZ](#) [ADP2102-1.0-EVALZ](#) [ADP2102-1-EVALZ](#) [ADP2107-1.8-EVALZ](#) [ADP5020CP-EVALZ](#) [CC-ACC-DBMX-51](#) [ATPL230A-EK](#) [MIC23250-S4YMT EV](#) [MIC26603YJL EV](#) [MIC33050-SYHL EV](#) [TPS60100EVM-131](#) [TPS65010EVM-230](#) [TPS71933-28EVM-213](#) [TPS72728YFFEVM-407](#) [TPS79318YEQEVM](#) [UCC28810EVM-002](#) [XILINXPWR-083](#) [LMR22007YMINI-EVM](#) [LP38501ATJ-EV](#)