



**MICROCHIP**

---

**MIC28514  
Evaluation Board  
User's Guide**

---

---

**Note the following details of the code protection feature on Microchip devices:**

- Microchip products meet the specification contained in their particular Microchip Data Sheet.
- Microchip believes that its family of products is one of the most secure families of its kind on the market today, when used in the intended manner and under normal conditions.
- There are dishonest and possibly illegal methods used to breach the code protection feature. All of these methods, to our knowledge, require using the Microchip products in a manner outside the operating specifications contained in Microchip's Data Sheets. Most likely, the person doing so is engaged in theft of intellectual property.
- Microchip is willing to work with the customer who is concerned about the integrity of their code.
- Neither Microchip nor any other semiconductor manufacturer can guarantee the security of their code. Code protection does not mean that we are guaranteeing the product as "unbreakable."

Code protection is constantly evolving. We at Microchip are committed to continuously improving the code protection features of our products. Attempts to break Microchip's code protection feature may be a violation of the Digital Millennium Copyright Act. If such acts allow unauthorized access to your software or other copyrighted work, you may have a right to sue for relief under that Act.

---

Information contained in this publication regarding device applications and the like is provided only for your convenience and may be superseded by updates. It is your responsibility to ensure that your application meets with your specifications. MICROCHIP MAKES NO REPRESENTATIONS OR WARRANTIES OF ANY KIND WHETHER EXPRESS OR IMPLIED, WRITTEN OR ORAL, STATUTORY OR OTHERWISE, RELATED TO THE INFORMATION, INCLUDING BUT NOT LIMITED TO ITS CONDITION, QUALITY, PERFORMANCE, MERCHANTABILITY OR FITNESS FOR PURPOSE. Microchip disclaims all liability arising from this information and its use. Use of Microchip devices in life support and/or safety applications is entirely at the buyer's risk, and the buyer agrees to defend, indemnify and hold harmless Microchip from any and all damages, claims, suits, or expenses resulting from such use. No licenses are conveyed, implicitly or otherwise, under any Microchip intellectual property rights unless otherwise stated.

*Microchip received ISO/TS-16949:2009 certification for its worldwide headquarters, design and wafer fabrication facilities in Chandler and Tempe, Arizona; Gresham, Oregon and design centers in California and India. The Company's quality system processes and procedures are for its PIC® MCUs and dsPIC® DSCs, KEELOQ® code hopping devices, Serial EEPROMs, microperipherals, nonvolatile memory and analog products. In addition, Microchip's quality system for the design and manufacture of development systems is ISO 9001:2000 certified.*

**QUALITY MANAGEMENT SYSTEM  
CERTIFIED BY DNV  
= ISO/TS 16949 =**

### Trademarks

The Microchip name and logo, the Microchip logo, AnyRate, AVR, AVR logo, AVR Freaks, BeaconThings, BitCloud, CryptoMemory, CryptoRF, dsPIC, FlashFlex, flexPWR, Helder, JukeBlox, KEELOQ, KEELOQ logo, Klear, LANCheck, LINK MD, maXStylus, maXTouch, MediaLB, megaAVR, MOST, MOST logo, MPLAB, OptoLyzr, PIC, picoPower, PICSTART, PIC32 logo, Prochip Designer, QTouch, RightTouch, SAM-BA, SpyNIC, SST, SST Logo, SuperFlash, tinyAVR, UNI/O, and XMEGA are registered trademarks of Microchip Technology Incorporated in the U.S.A. and other countries.

ClockWorks, The Embedded Control Solutions Company, EtherSynch, Hyper Speed Control, HyperLight Load, IntelliMOS, mTouch, Precision Edge, and Quiet-Wire are registered trademarks of Microchip Technology Incorporated in the U.S.A.

Adjacent Key Suppression, AKS, Analog-for-the-Digital Age, Any Capacitor, AnyIn, AnyOut, BodyCom, chipKIT, chipKIT logo, CodeGuard, CryptoAuthentication, CryptoCompanion, CryptoController, dsPICDEM, dsPICDEM.net, Dynamic Average Matching, DAM, ECAN, EtherGREEN, In-Circuit Serial Programming, ICSP, Inter-Chip Connectivity, JitterBlocker, KlearNet, KlearNet logo, Mindi, MiWi, motorBench, MPASM, MPF, MPLAB Certified logo, MPLIB, MPLINK, MultiTRAK, NetDetach, Omniscient Code Generation, PICDEM, PICDEM.net, PICkit, PICtail, PureSilicon, QMatrix, RightTouch logo, REAL ICE, Ripple Blocker, SAM-ICE, Serial Quad I/O, SMART-I.S., SQI, SuperSwitcher, SuperSwitcher II, Total Endurance, TSHARC, USBCheck, VariSense, ViewSpan, WiperLock, Wireless DNA, and ZENA are trademarks of Microchip Technology Incorporated in the U.S.A. and other countries.

SQTP is a service mark of Microchip Technology Incorporated in the U.S.A.

Silicon Storage Technology is a registered trademark of Microchip Technology Inc. in other countries.

GestIC is a registered trademark of Microchip Technology Germany II GmbH & Co. KG, a subsidiary of Microchip Technology Inc., in other countries.

All other trademarks mentioned herein are property of their respective companies.

© 2017, Microchip Technology Incorporated, All Rights Reserved.  
ISBN: 978-1-5224-1724-8

---

---

**Object of Declaration: MIC28514 Evaluation Board User's Guide**

EU Declaration of Conformity

This declaration of conformity is issued by the manufacturer.

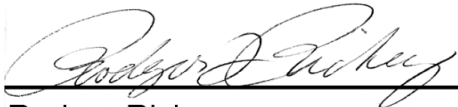
The development/evaluation tool is designed to be used for research and development in a laboratory environment. This development/evaluation tool is not a Finished Appliance, nor is it intended for incorporation into Finished Appliances that are made commercially available as single functional units to end users under EU EMC Directive 2004/108/EC and as supported by the European Commission's Guide for the EMC Directive 2004/108/EC (8th February 2010).

This development/evaluation tool complies with EU RoHS2 Directive 2011/65/EU.

This development/evaluation tool, when incorporating wireless and radio-telecom functionality, is in compliance with the essential requirement and other relevant provisions of the R&TTE Directive 1999/5/EC and the FCC rules as stated in the declaration of conformity provided in the module datasheet and the module product page available at [www.microchip.com](http://www.microchip.com).

For information regarding the exclusive, limited warranties applicable to Microchip products, please see Microchip's standard terms and conditions of sale, which are printed on our sales documentation and available at [www.microchip.com](http://www.microchip.com).

Signed for and on behalf of Microchip Technology Inc. at Chandler, Arizona, USA.



Rodger Richey  
Director of Development Tools



Date

---

---

**NOTES:**

**Table of Contents**

<b>Preface</b> .....	<b>7</b>
Introduction.....	7
Document Layout .....	7
Conventions Used in this Guide .....	8
Recommended Reading.....	9
The Microchip Web Site .....	9
Customer Support .....	9
Document Revision History .....	9
 <b>Chapter 1. Product Overview</b>	
1.1 Introduction .....	11
1.2 MIC28514 Evaluation Board Overview .....	11
1.3 MIC28514 Evaluation Board Features .....	12
1.4 What the MIC28514 Evaluation Board Kit Contains .....	12
 <b>Chapter 2. Installation and Operation</b>	
2.1 System and Configuration Requirements .....	13
2.2 Board Setup .....	13
2.3 Circuit Description .....	14
2.3.1 Feedback Resistors .....	14
2.3.2 SW Node .....	15
2.3.3 Current Limit .....	15
2.3.4 Loop Gain Measurement .....	15
2.3.5 Setting the Switching Frequency .....	15
2.3.6 Setting the Soft Start Time .....	16
2.3.7 Auxiliary Bootstrap LDO (EXTVDD) .....	16
 <b>Appendix A. Schematic and Layouts</b>	
A.1 Introduction .....	17
A.2 Board – Schematic .....	18
A.3 Board – Top Silk .....	19
A.4 Board – Top Copper and Silk .....	19
A.5 Board – Top Copper .....	20
A.6 Board – MID Copper Layer 1 .....	20
A.7 Board – Mid Copper Layer 2 .....	21
A.8 Board – Bottom Copper .....	21
A.9 Board – Bottom Copper and Silk .....	22
 <b>Appendix B. Bill of Materials (BOM)</b> .....	<b>23</b>
<b>Worldwide Sales and Service</b> .....	<b>26</b>

# MIC28514 Evaluation Board User's Guide

---

---

---

## Preface

---

---

### NOTICE TO CUSTOMERS

All documentation becomes dated, and this manual is no exception. Microchip tools and documentation are constantly evolving to meet customer needs, so some actual dialogs and/or tool descriptions may differ from those in this document. Please refer to our web site ([www.microchip.com](http://www.microchip.com)) to obtain the latest documentation available.

Documents are identified with a “DS” number. This number is located on the bottom of each page, in front of the page number. The numbering convention for the DS number is “DSXXXXXXXXA”, where “XXXXXXXX” is the document number and “A” is the revision level of the document.

For the most up-to-date information on development tools, see the MPLAB® IDE online help. Select the Help menu, and then Topics, to open a list of available online help files.

## INTRODUCTION

This chapter contains general information that will be useful to know before using the MIC28514 Evaluation Board. Items discussed in this chapter include:

- [Document Layout](#)
- [Conventions Used in this Guide](#)
- [Recommended Reading](#)
- [The Microchip Website](#)
- [Customer Support](#)
- [Document Revision History](#)

## DOCUMENT LAYOUT

This document describes how to use the MIC28514 Evaluation Board as a development tool to emulate and debug firmware on a target board. The manual layout is as follows:

- **Chapter 1. “Product Overview”** – Important information about the MIC28514 Evaluation Board.
- **Chapter 2. “Installation and Operation”** – Includes instructions on installing and starting the MIC28514 Evaluation Board.
- **Appendix A. “Schematic and Layouts”** – Shows the schematic and layout diagrams for the MIC28514 Evaluation Board.
- **Appendix B. “Bill of Materials (BOM)”** – Lists the parts used to build the MIC28514 Evaluation Board.

# MIC28514 Evaluation Board User's Guide

## CONVENTIONS USED IN THIS GUIDE

This manual uses the following documentation conventions:

### DOCUMENTATION CONVENTIONS

Description	Represents	Examples
<b>Arial font:</b>		
Italic characters	Referenced books	<i>MPLAB® IDE User's Guide</i>
	Emphasized text	...is the <i>only</i> compiler...
Initial caps	A window	the Output window
	A dialog	the Settings dialog
	A menu selection	select Enable Programmer
Quotes	A field name in a window or dialog	"Save project before build"
Underlined, italic text with right angle bracket	A menu path	<u><i>File</i></u> >Save
Bold characters	A dialog button	Click <b>OK</b>
	A tab	Click the <b>Power</b> tab
N'Rnnnn	A number in verilog format, where N is the total number of digits, R is the radix and n is a digit.	4'b0010, 2'hF1
Text in angle brackets < >	A key on the keyboard	Press <Enter>, <F1>
<b>Courier New font:</b>		
Plain Courier New	Sample source code	#define START
	Filenames	autoexec.bat
	File paths	c:\mcc18\h
	Keywords	_asm, _endasm, static
	Command-line options	-Opa+, -Opa-
	Bit values	0, 1
	Constants	0xFF, 'A'
Italic Courier New	A variable argument	<i>file.o</i> , where <i>file</i> can be any valid filename
Square brackets [ ]	Optional arguments	mcc18 [options] <i>file</i> [options]
Curly brackets and pipe character: {   }	Choice of mutually exclusive arguments; an OR selection	errorlevel {0 1}
Ellipses...	Replaces repeated text	var_name [, var_name...]
	Represents code supplied by user	void main (void) { ... }



## RECOMMENDED READING

This user's guide describes how to use the MIC28514 Evaluation Board. Another useful document is listed below. The following Microchip document is available and recommended as a supplemental reference resource:

- **MIC28514 Data Sheet – “75V/5A Hyper Speed Control<sup>®</sup> Synchronous DC/DC Buck Regulator with External Soft Start” (DS20005693)**

## THE MICROCHIP WEBSITE

Microchip provides online support via our website at [www.microchip.com](http://www.microchip.com). This website is used as a means to make files and information easily available to customers. Accessible by using your favorite Internet browser, the website contains the following information:

- **Product Support** – Data sheets and errata, application notes and sample programs, design resources, user's guides and hardware support documents, latest software releases and archived software
- **General Technical Support** – Frequently Asked Questions (FAQs), technical support requests, online discussion groups, Microchip consultant program member listing
- **Business of Microchip** – Product selector and ordering guides, latest Microchip press releases, listing of seminars and events, listings of Microchip sales offices, distributors and factory representatives

## CUSTOMER SUPPORT

Users of Microchip products can receive assistance through several channels:

- Distributor or Representative
- Local Sales Office
- Field Application Engineer (FAE)
- Technical Support

Customers should contact their distributor, representative or field application engineer (FAE) for support. Local sales offices are also available to help customers. A listing of sales offices and locations is included in the back of this document.

Technical support is available through the website at:  
<http://www.microchip.com/support>.

## DOCUMENT REVISION HISTORY

### Revision B (May 2017)

- Updated Figure 2-1.

### Revision A (February 2017)

- Initial Release of this Document.

# MIC28514 Evaluation Board User's Guide

---

NOTES:

---

---

**Chapter 1. Product Overview**

---

---

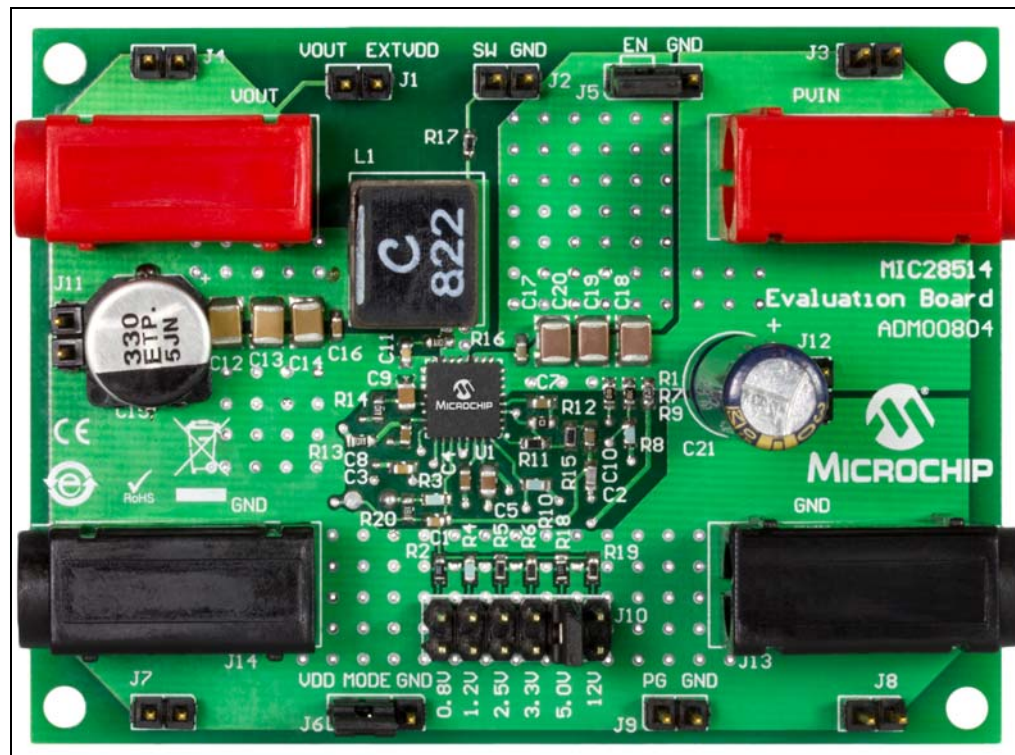
**1.1 INTRODUCTION**

This chapter provides an overview of the MIC28514 Evaluation Board and covers the following topics:

- [MIC28514 Evaluation Board Overview](#)
- [MIC28514 Evaluation Board Features](#)
- [What the MIC28514 Evaluation Board Kit Contains](#)

**1.2 MIC28514 EVALUATION BOARD OVERVIEW**

The MIC28514 Evaluation Board is a constant frequency, synchronous buck controller featuring a unique adaptive on-time control architecture. The MIC28514 operates over an input supply range of 4.5V to 75V. The output voltage is adjustable down to 0.6V with an ensured accuracy of  $\pm 1\%$ . The device operates with a programmable switching frequency from 270 kHz to 800 kHz.



**FIGURE 1-1:** MIC28514 Evaluation Board.

# MIC28514 Evaluation Board User's Guide

---

## 1.3 MIC28514 EVALUATION BOARD FEATURES

The MIC28514 Evaluation Board:

- Features a Soft Start (SS) time selection pin, which allows the user to adjust the output Soft Start time to reduce inrush current from mains during start-up.
- Features six selectable output voltages: 0.8V, 1.2V, 2.5V, 3.3V, 5V and 12V.
- Features an auxiliary bootstrap Low Dropout (LDO) which improves the system efficiency by supplying the internal bias power from the output of the converter.
- Features a logic level Enable (EN) signal that can be used to enable or disable the controller.
- Can start up monotonically into a pre-biased output.
- Features an open-drain Power Good signal (PG), which signals when the output is in regulation.

The basic parameters of the evaluation board are:

- Input: 10V to 75V (optimized for 48V)
- Output: 0.8V, 1.2V, 2.5V, 3.3V, 5V or 12V Selectable through jumper J10 at 5A (default option is set to 5V)
- 300 kHz Switching Frequency (adjustable from 270 kHz to 800 kHz)

## 1.4 WHAT THE MIC28514 EVALUATION BOARD KIT CONTAINS

The MIC28514 Evaluation Board includes the following items:

- MIC28514 Evaluation Board (ADM00804)
- Important Information Sheet

---

---

## Chapter 2. Installation and Operation

---

---

### 2.1 SYSTEM AND CONFIGURATION REQUIREMENTS

The MIC28514 Evaluation Board requires only a single power supply with at least 5A current capability. The MIC28514 has an internal  $V_{DD}$  LDO so no external linear regulator is required to power the internal biasing of the IC. In applications with  $V_{IN} < +5.5V$ ,  $PV_{DD}$  should be tied to  $V_{IN}$  to bypass the internal linear regulator. The output load can either be a passive or an active load.

<p><b>Note:</b> The MIC28514 Evaluation Board does not have reverse polarity protection. Applying a negative voltage to the <math>V_{IN}</math> and GND terminals may damage the device. The maximum <math>V_{IN}</math> of the board is rated at 75V. Exceeding 75V on the <math>V_{IN}</math> could damage the device.</p>
--

### 2.2 BOARD SETUP

Follow these steps prior to using the MIC28514 Evaluation Board:

1. Connect a supply to the  $V_{IN}$  and GND terminals, paying attention to the polarity and the supply range ( $10V < V_{IN} < 75V$ ). Monitor  $I_{IN}$  with a current meter, and the input voltage at the  $V_{IN}$  and GND terminals with a voltmeter. Do not apply power until Step 4.
2. Connect a load to the  $V_{OUT}$  and GND terminals. The load can be either a passive (resistive) or an active (electronic) type. A current meter may be placed between the  $V_{OUT}$  terminal and load to monitor the output current. Ensure the output voltage is monitored at the  $V_{OUT}$  terminal.
3. Enable input. An EN connector is provided on the evaluation board for users to easily access the enable feature. Applying an external logic signal on the EN pin to pull it low, or using a jumper to short the EN pin to GND, will shut off the output of the MIC28514 Evaluation Board.
4. Turn on the  $V_{IN}$  supply and verify that the output voltage is regulated to the specific selected voltage.

# MIC28514 Evaluation Board User's Guide

## 2.3 CIRCUIT DESCRIPTION

This section describes the working principles and limitations that should be taken into account when using the MIC28514 Evaluation Board. The external components have been selected in order to optimize performance for the specific conditions of  $V_{IN} = 48V$  and  $V_{OUT} = 5V$ . Although the application will behave correctly for other output and input voltages, further optimization (fine-tuning of the inductor, output capacitors and ripple injection components) can be done in order to improve efficiency and transient response.

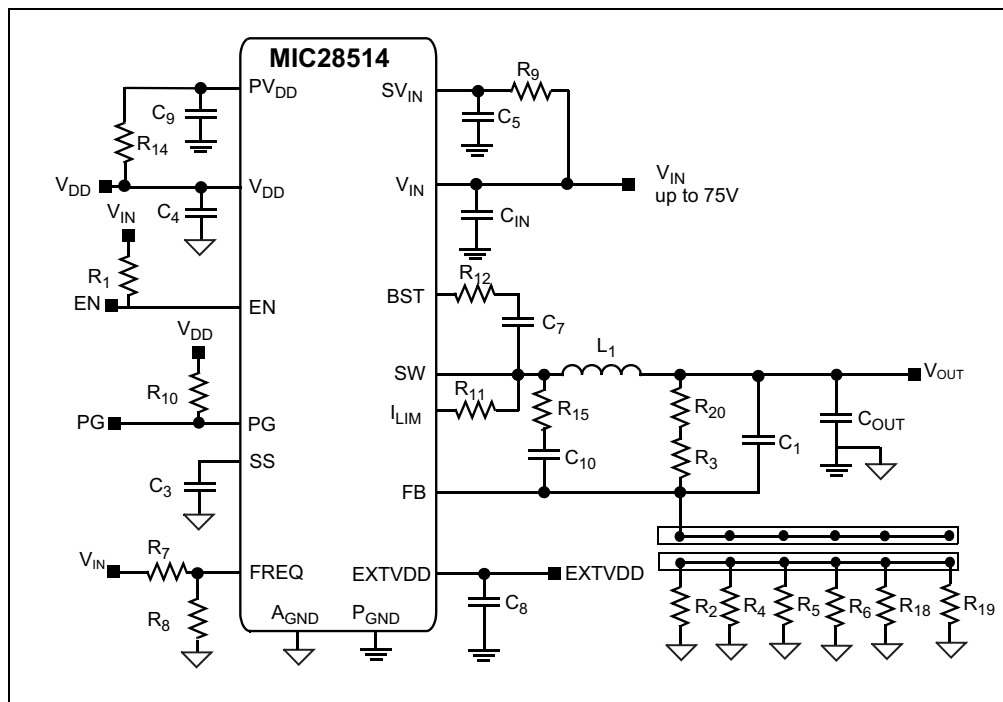


FIGURE 2-1: Evaluation Board Circuit Description.

### 2.3.1 Feedback Resistors

The output voltages available on the MIC28514 Evaluation Board are: 0.8V, 1.2V, 2.5V, 3.3V, 5V and 12V, which are selectable using jumper J10.

Voltages other than the ones already available can be set by modifying the  $R_{bot}$  resistors according to Equation 2-1.

#### EQUATION 2-1:

$$R_{bot} = \frac{R_3 \times V_{REF}}{V_{OUT} - V_{REF}}$$

Where:  
 $V_{REF} = 0.6V$   
 $R_3 = 10\text{ kOhm}$

Note that the output voltage should not be set to exceed 15V due to the 16V voltage rating on the output capacitors.

For output voltage higher than 15V, output capacitors of a voltage rating higher than the set output voltage should be used.

## 2.3.2 SW Node

Test point J2 ( $V_{SW}$ ) is placed for monitoring the switching waveform, one of the most critical waveforms for the converter.

## 2.3.3 Current Limit

The MIC28514 Evaluation Board uses the low-side MOSFET  $R_{DS(ON)}$  to sense inductor current. In each switching cycle of the MIC28514 converter, the inductor current is sensed by monitoring the voltage across the low-side MOSFET, during the off period of the switching cycle, during which the low-side MOSFET is on. An internal current source of 135  $\mu A$  generates a voltage across the external Current-Limit Resistor,  $R_{CL}$ .

The  $I_{LIM}$  Pin Voltage ( $V_{ILIM}$ ) is the difference of the voltage across the low-side MOSFET and the voltage across the resistor ( $V_{CL}$ ). The sensed voltage,  $V_{ILIM}$ , is compared with the Power Ground (PGND) after a blanking time of 150 ns.

If the absolute value of the voltage drop across the low-side MOSFET is greater than the absolute value of the voltage across the current setting resistor ( $V_{CL}$ ), the MIC28514 triggers the current-limit event. Consecutive eight current-limit events trigger the Hiccup mode. The hiccup sequence, including the Soft Start, reduces the stress on the internal MOSFETs, and protects the load and supply from severe short conditions.

The short-circuit current limit can be programmed by using the formula shown in [Equation 2-2](#).

### EQUATION 2-2:

$$R_{II} = \frac{(I_{CLIM} + \Delta I_{LPP} \times 0.5) \times R_{DS(ON)}}{I_{CL}}$$

Where:

$I_{CLIM}$  = Desired output current limit

$\Delta I_{LPP}$  = Inductor current peak-to-peak

$R_{DS(ON)}$  = On resistance of low-side power MOSFET (25 m $\Omega$ )

$I_{CL}$  = Current-limit source current, the typical value is 135  $\mu A$

It is mandatory to make sure that the inductor current used to charge the output capacitance during Soft Start is under the current limit; otherwise, the supply will go into Hiccup mode and may not finish the Soft Start successfully.

The MOSFET  $R_{DS(ON)}$  can vary up to 30%-40% with temperature. Therefore, it is recommended to add a 30% margin to the  $I_{CLIM}$  in the above equation to avoid false current limiting due to an increased MOSFET junction temperature rise.

## 2.3.4 Loop Gain Measurement

Resistor R20 is placed in series with the regulator feedback path. The control loop gain can be measured by connecting an impedance analyzer across the resistor and selecting the resistor value between 10 $\Omega$  to 50 $\Omega$ .

## 2.3.5 Setting the Switching Frequency

The MIC28514 Evaluation Board is an adjustable frequency, synchronous buck converter featuring a unique adaptive on-time control architecture. The switching frequency can be adjusted between 270 kHz and 800 kHz by changing the resistor divider network consisting of  $R_7$  and  $R_8$ .

# MIC28514 Evaluation Board User's Guide

---

Equation 2-3 shows the estimated switching frequency:

## EQUATION 2-3:

$$f_{SW} = f_0 \times \frac{R_8}{R_7 + R_8}$$

Where:

$f_0$  = Switching Frequency when FREQ pin is connected to the input voltage,  $f_0$  is typically 800 kHz

The evaluation board design is optimized for a switching frequency of 300 kHz. If the switching frequency is programmed to either lower end or higher end, the design needs optimization.

### 2.3.6 Setting the Soft Start Time

The output voltage Soft Start time can be set by connecting a capacitor from SS to  $A_{GND}$ .

The value of the capacitor can be calculated using Equation 2-4:

## EQUATION 2-4:

$$C_3 = \frac{I_{SS} \times t_{SS}}{V_{REF}}$$

Where:

$C_3$  = Capacitor from SS pin to  $A_{GND}$

$I_{SS}$  = Internal Soft Start current (1.4  $\mu$ A typical)

$t_{SS}$  = Output Soft Start time

$V_{REF}$  = Reference voltage (0.6V)

### 2.3.7 Auxiliary Bootstrap LDO (EXTVDD)

The MIC28514 Evaluation Board features an auxiliary bootstrap LDO which improves the system efficiency by supplying the MIC28514 internal circuit bias power from the converter output voltage. This LDO is enabled when the voltage on the EXTVDD pin is above 4.6V (typical), and at the same time, the main LDO, which operates from  $V_{IN}$ , is disabled to reduce power consumption. If the regulator output voltage is  $\geq 5V$  and  $\leq 12V$ , use the output voltage to power the MIC28514, which will increase system efficiency. The J1 jumper can be shorted to use the output voltage as EXTVDD.





# MIC28514 EVALUATION BOARD USER'S GUIDE

---

---

## Appendix A. Schematic and Layouts

---

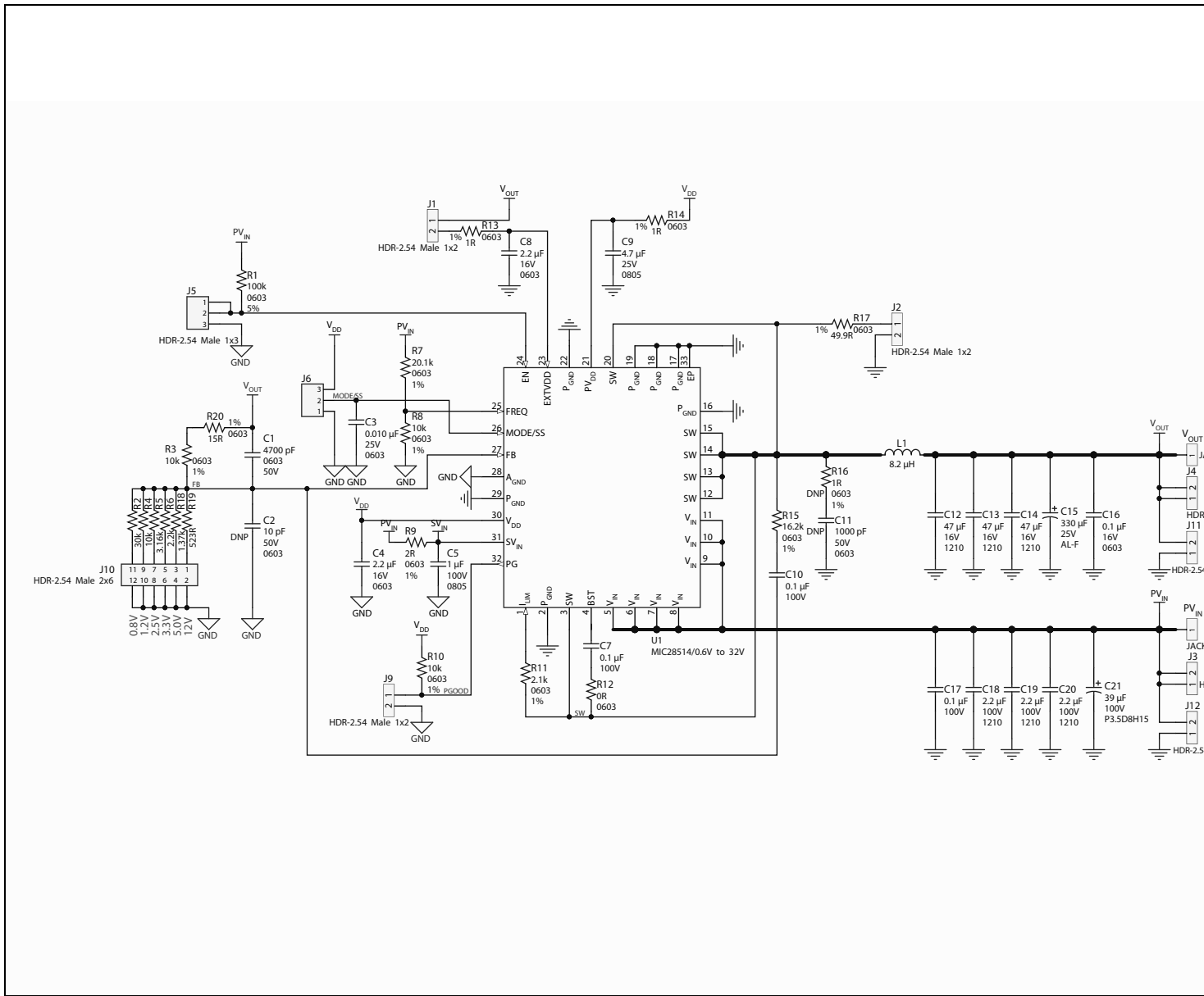
---

### A.1 INTRODUCTION

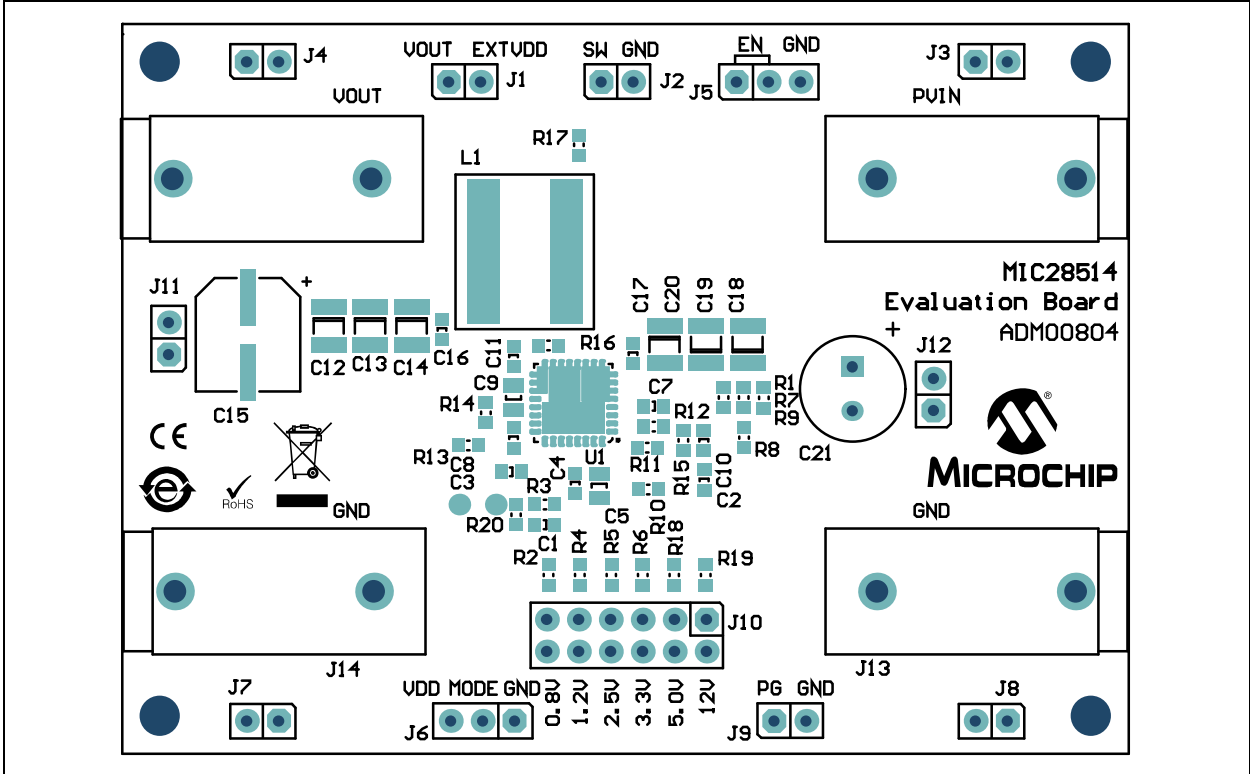
This appendix contains the following schematics and layouts for the MIC28514 Evaluation Board:

- [Board – Schematic](#)
- [Board – Top Silk](#)
- [Board – Top Copper and Silk](#)
- [Board – Top Copper](#)
- [Board – MID Copper Layer 1](#)
- [Board – Mid Copper Layer 2](#)
- [Board – Bottom Copper](#)
- [Board – Bottom Copper and Silk](#)

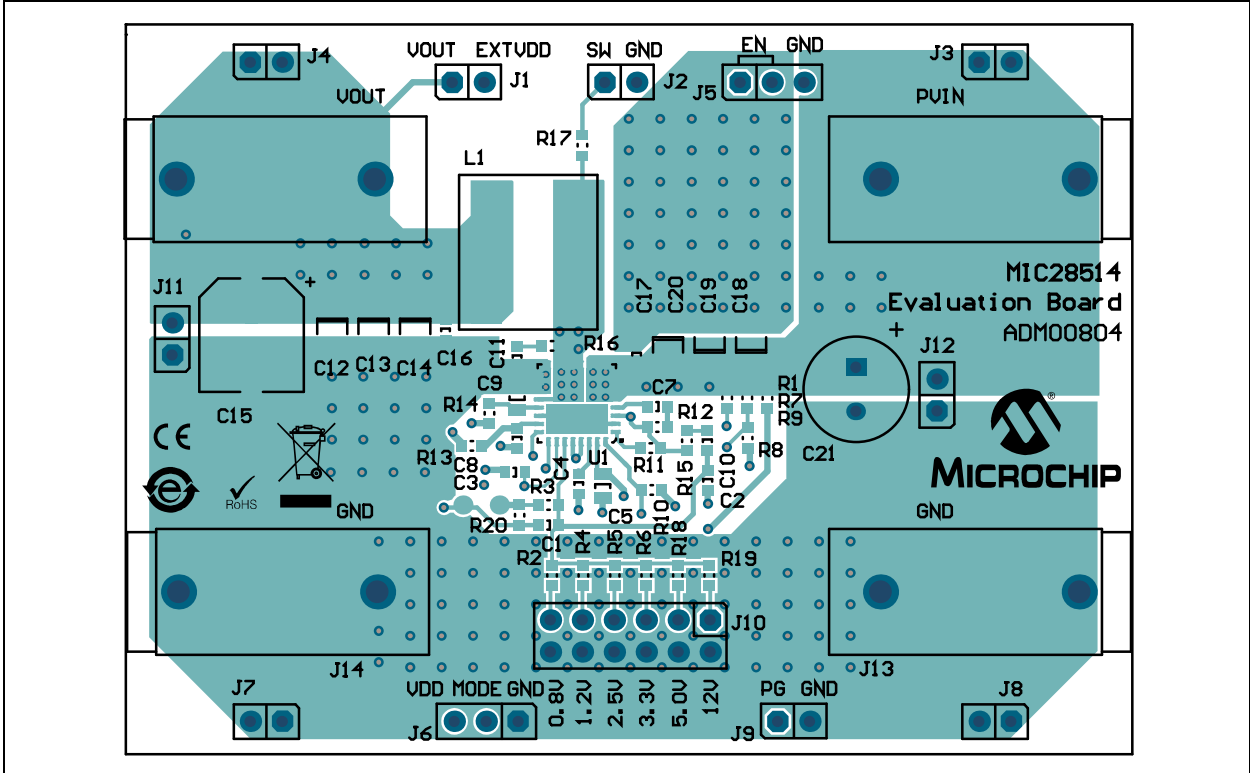
### A.2 BOARD – SCHEMATIC



## A.3 BOARD – TOP SILK



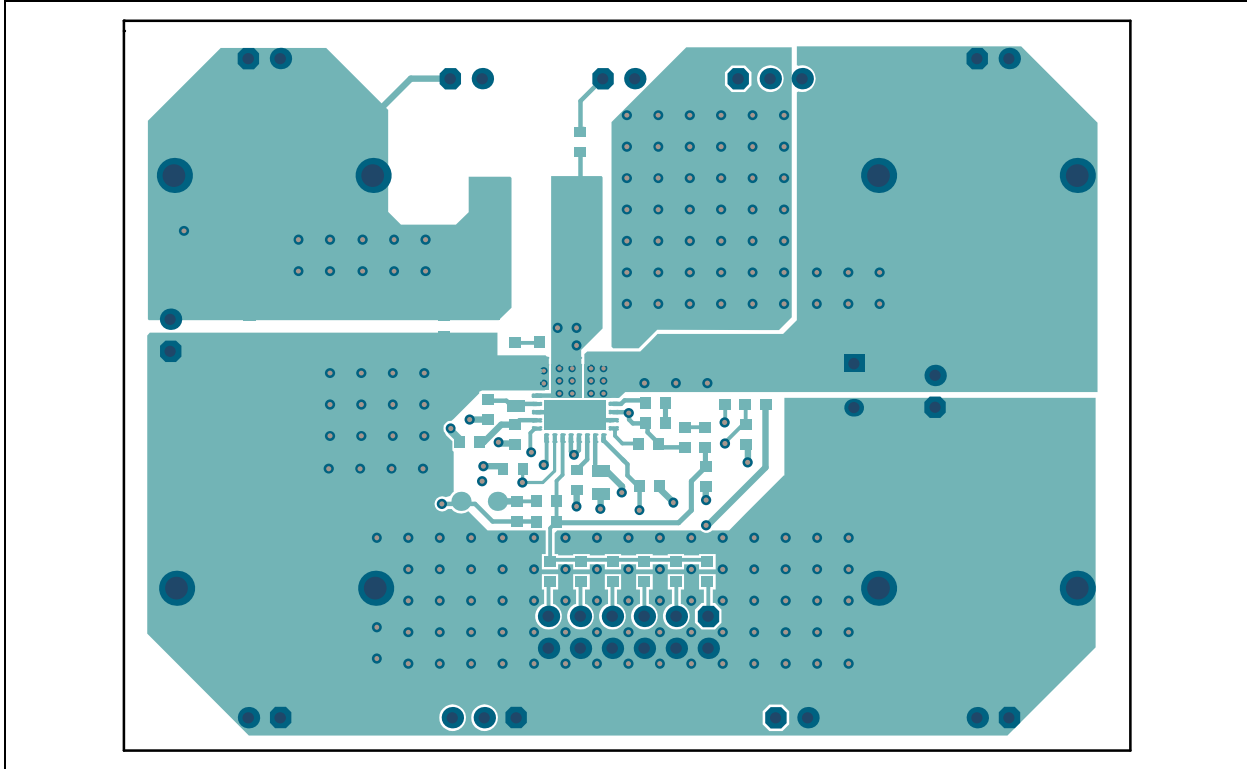
## A.4 BOARD – TOP COPPER AND SILK



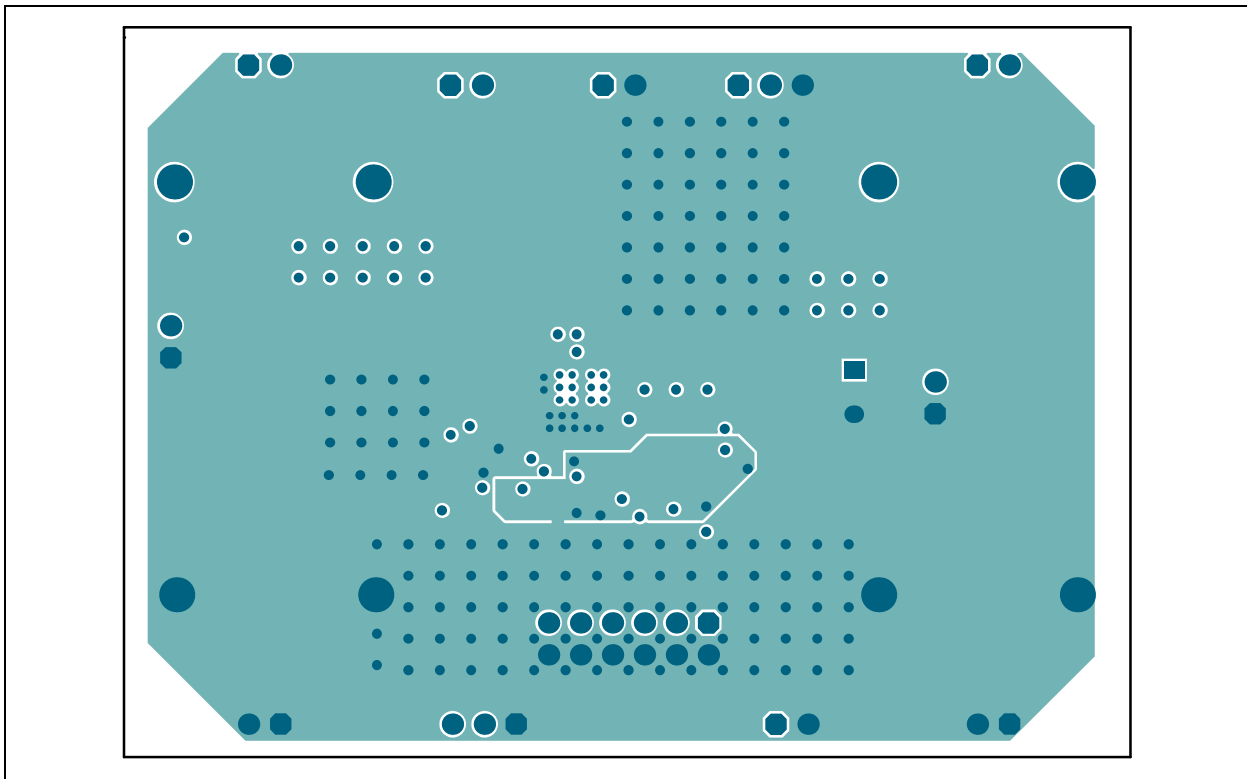
# MIC28514 Evaluation Board User's Guide

---

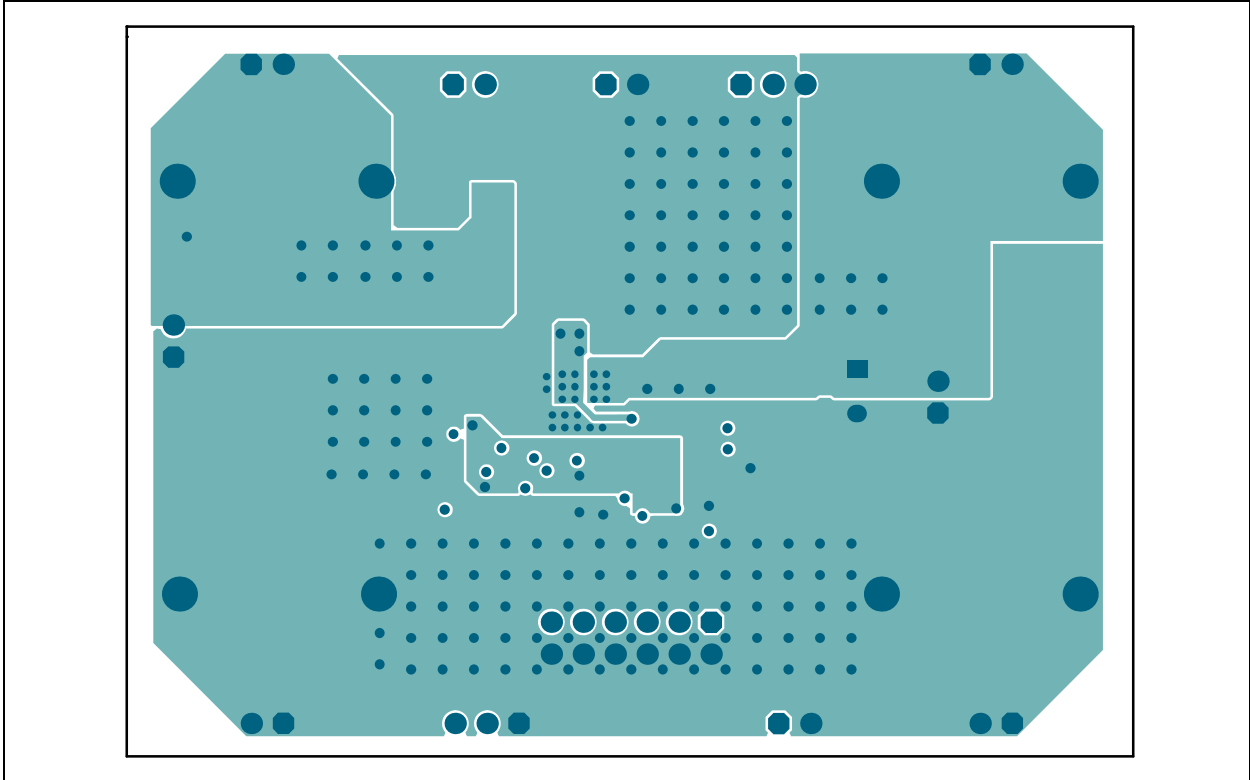
## A.5 BOARD – TOP COPPER



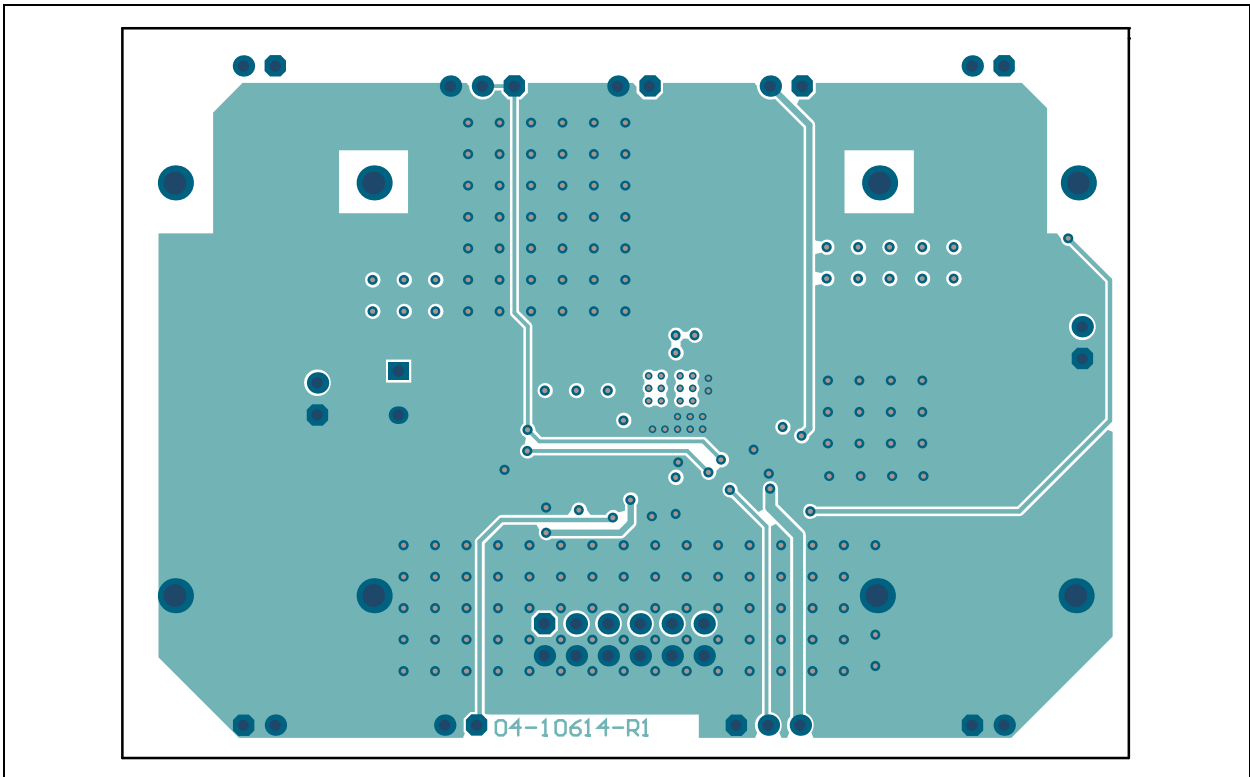
## A.6 BOARD – MID COPPER LAYER 1



## A.7 BOARD – MID COPPER LAYER 2

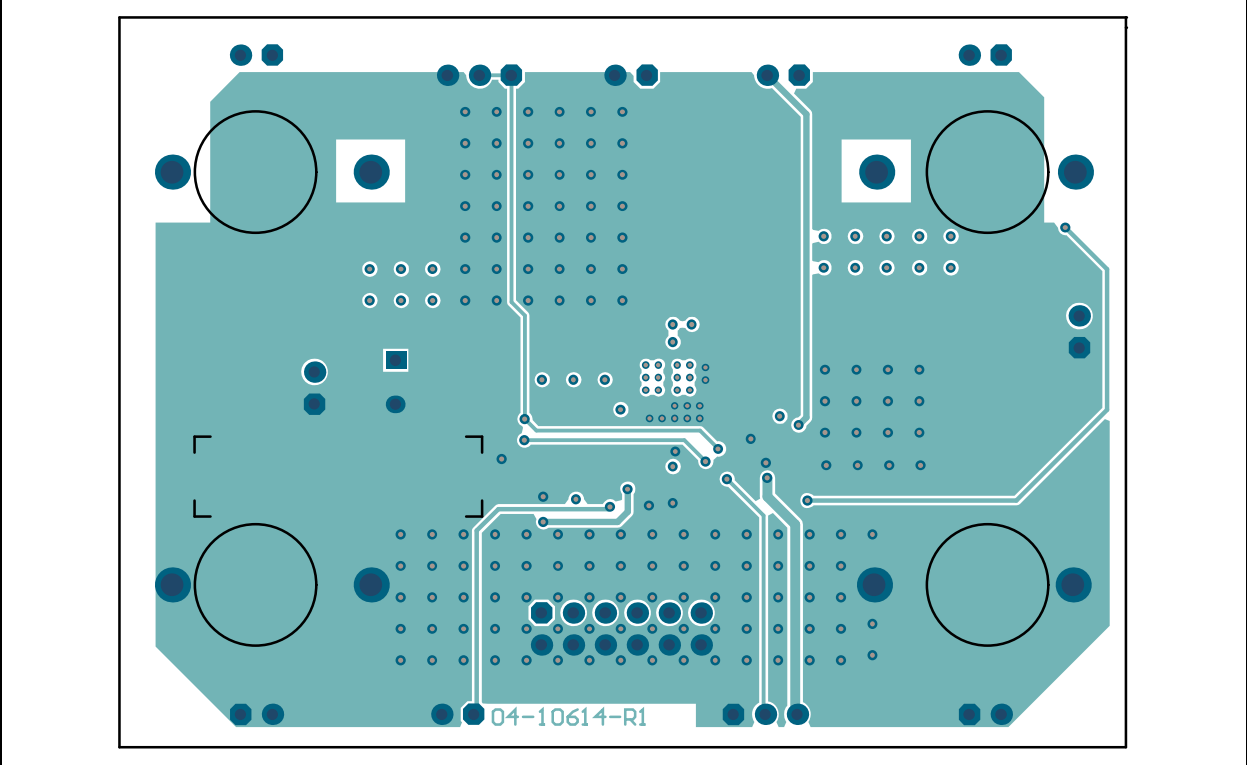


## A.8 BOARD – BOTTOM COPPER



# MIC28514 Evaluation Board User's Guide

## A.9 BOARD – BOTTOM COPPER AND SILK





# MIC28514 EVALUATION BOARD USER'S GUIDE

## Appendix B. Bill of Materials (BOM)

**TABLE B-1: BILL OF MATERIALS (BOM)**

Qty.	Reference	Description	Manufacturer	Part Number
1	C1	Capacitor Ceramic, 4700 pF, 50V, 10%, X7R, SMD, 0603	KEMET	C0603C472K5RACTU
1	C2	Do Not Populate – Capacitor Ceramic, 10 pF, 50V, 0.5 pF, C0G, SMD, 0603	TDK Corporation	C1608C0G1H100D
1	C3	Capacitor Ceramic, 0.010 $\mu$ F, 25V, 10%, X7R, SMD, 0603	Yageo Corporation	CC0603KRX7R8BB103
2	C4, C8	Capacitor Ceramic, 2.2 $\mu$ F, 16V, 10%, X5R, SMD, 0603	TDK Corporation	C1608X5R1C225K
1	C5	Capacitor Ceramic, 1 $\mu$ F, 100V, 10%, X7S, SMD, 0805	TDK Corporation	C2012X7S2A105K125AB
3	C7, C10, C17	Capacitor Ceramic, 0.1 $\mu$ F, 100V, 10%, X7R, SMD, 0603	Murata Electronics North America, Inc.	GRM188R72A104KA35D
1	C9	Capacitor Ceramic, 4.7 $\mu$ F, 25V, 20%, X5R, SMD, 0805	TDK Corporation	C2012X5R1E475M125AB
1	C11	Do Not Populate – Capacitor Ceramic, 1000 pF, 50V, 20%, X7R, SMD, 0603	TDK Corporation	C1608X7R2A102K080AA
3	C12, C13, C14	Capacitor Ceramic, 47 $\mu$ F, 16V, 20%, X5R, SMD, 1210	Yageo Corporation	CC1210MKX5R7BB476
1	C15	Capacitor Aluminum, 330 $\mu$ F, 25V, 20%, SMD, F	Nichicon Corporation	UWT1E331MNL1GS
1	C16	Capacitor Ceramic, 0.1 $\mu$ F, 16V, 10%, X7R, SMD, 0603	AVX Corporation	0603YC104KAT2A
3	C18, C19, C20	Capacitor Ceramic, 2.2 $\mu$ F, 100V, 10%, X7R, SMD, 1210	KEMET	C1210C225K1RACTU
1	C21	Capacitor Aluminum, 39 $\mu$ F, 100V, 20%, RAD, P3.5D8H15	United Chemi-Con	EKZE101ELL390MH15D
9	J1, J2, J3, J4, J7, J8, J9, J11, J12	Connector Header-2.54 Male, 1x2, Gold, 5.84MH, TH, Vertical	FCI	77311-118-02LF
2	J5, J6	Connector Header-2.54 Male, 1x3, Gold, 5.84MH, TH, Vertical	FCI	68000-103HLF
1	J10	Connector Header-2.54 Male, 2x6, Gold, 5.84MH, TH, Vertical	Samtec, Inc.	TSW-106-07-G-D
2	J13, J14	Connector Jack Banana Blue Female, 4.0 mm, TH, R/A	Multicomp Inc.	24.243.5
1	L1	Inductor, 8.2 $\mu$ H, 17.1A, 20%, SMD, L11.3W10H10	Coilcraft	XAL1010-822MEB
1	PCB1	Printed Circuit Board	Microchip Technology Inc.	04-10614-R1

**Note 1:** The components listed in this Bill of Materials are representative of the PCB assembly. The released BOM used in manufacturing uses all RoHS-compliant components.

# MIC28514 Evaluation Board User's Guide

---

TABLE B-1: BILL OF MATERIALS (BOM) (CONTINUED)

Qty.	Reference	Description	Manufacturer	Part Number
2	PV <sub>IN</sub> , V <sub>OUT</sub>	Connector Jack Banana Red Female, 4.0 mm, TH, R/A	Multicomp Inc.	24.243.1

**Note 1:** The components listed in this Bill of Materials are representative of the PCB assembly. The released BOM used in manufacturing uses all RoHS-compliant components.



# Bill of Materials (BOM)

**TABLE B-1: BILL OF MATERIALS (BOM) (CONTINUED)**

Qty.	Reference	Description	Manufacturer	Part Number
1	R1	Resistor, TKF, 100k, 5%, 1/10W, SMD, 0603	Panasonic® - ECG	ERJ-3GEYJ104V
1	R2	Resistor, TKF, 30k, 1%, 1/10W, SMD, 0603	Stackpole Electronics, Inc.	RMCF0603FT30K0
4	R3, R4, R8, R10	Resistor, TKF, 10k, 1%, 1/8W, SMD, 0603	Vishay Beyschlag	MCT06030C1002FP500
1	R5	Resistor, TKF, 3.16k, 1%, 1/10W, SMD, 0603	Panasonic® - ECG	ERJ-3EKF3161V
1	R6	Resistor, TKF, 2.2k, 1%, 1/10W, SMD, 0603	Panasonic® - ECG	ERJ-3EKF2201V
1	R7	Resistor, TKF, 20k, 1%, 1/10W, SMD, 0603	Panasonic® - ECG	ERJ-3EKF2002V
1	R9	Resistor, TKF, 2R, 1%, 1/4W, SMD, 0603	Vishay/Dale	CRCW06032R00FKEAHP
1	R11	Resistor, TKF, 2.1k, 1%, 1/10W, SMD, 0603	Panasonic® - ECG	ERJ-3EKF2101V
1	R12	Resistor, TKF, 0R, 1/10W, SMD, 0603	Panasonic® - ECG	ERJ-3GSY0R00V
2	R13, R14	Resistor, TKF, 1R, 1%, 1/10W, SMD, 0603	Yageo Corporation	RC0603FR-071RL
1	R15	Resistor, TKF, 16.2k, 1%, 1/10W, SMD, 0603	Panasonic® - ECG	ERJ-3EKF1622V
1	R16	Do Not Populate – Resistor, TKF, 1R, 1%, 1/10W, SMD, 0603	Yageo Corporation	RC0603FR-071RL
1	R17	Resistor, TKF, 49.9R, 1%, 1/10W, SMD, 0603	Panasonic® - ECG	ERJ-3EKF49R9V
1	R18	Resistor, TKF, 1.37k, 1%, 1/10W, SMD, 0603	Yageo Corporation	RC0603FR-071K37L
1	R19	Resistor, TKF, 523R, 1%, 1/10W, SMD, 0603	Panasonic® - ECG	ERJ-3EKF5230V
1	R20	Resistor, TKF, 15R, 1%, 1/16W, SMD, 0603	Stackpole Electronics, Inc.	RMCF0603FT15R0
1	U1	MCHP Analog Switcher, Buck, 0.6V to 32V, MIC28514T-E/PHA VQFN-32	Microchip Technology Inc.	<b>MIC28514T-E/PHA</b>

**Note 1:** The components listed in this Bill of Materials are representative of the PCB assembly. The released BOM used in manufacturing uses all RoHS-compliant components.

**TABLE B-2: BILL OF MATERIALS (BOM) – MECHANICAL PARTS**

Qty.	Reference	Description	Manufacturer	Part Number
1	JP1	Mechanical Hardware Jumper, 2.54 mm, 1x2, Handle Gold	TE Connectivity, Ltd.	881545-2
1	LABEL1	Label, Assembly w/Rev. Level (Small Modules) per MTS-0002		
4	PAD1, PAD2, PAD3, PAD4	Mechanical Hardware, Rubber Pad, Cylindrical, D9.53H5.97	3M	SJ61A2

**Note 1:** The components listed in this Bill of Materials are representative of the PCB assembly. The released BOM used in manufacturing uses all RoHS-compliant components.

# ® MIC28514 Evaluation Board User's Guide

---

NOTES:



# MICROCHIP

## Worldwide Sales and Service

### AMERICAS

**Corporate Office**  
2355 West Chandler Blvd.  
Chandler, AZ 85224-6199  
Tel: 480-792-7200  
Fax: 480-792-7277  
Technical Support:  
<http://www.microchip.com/support>  
Web Address:  
[www.microchip.com](http://www.microchip.com)

**Atlanta**  
Duluth, GA  
Tel: 678-957-9614  
Fax: 678-957-1455

**Austin, TX**  
Tel: 512-257-3370

**Boston**  
Westborough, MA  
Tel: 774-760-0087  
Fax: 774-760-0088

**Chicago**  
Itasca, IL  
Tel: 630-285-0071  
Fax: 630-285-0075

**Dallas**  
Addison, TX  
Tel: 972-818-7423  
Fax: 972-818-2924

**Detroit**  
Novi, MI  
Tel: 248-848-4000

**Houston, TX**  
Tel: 281-894-5983

**Indianapolis**  
Noblesville, IN  
Tel: 317-773-8323  
Fax: 317-773-5453  
Tel: 317-536-2380

**Los Angeles**  
Mission Viejo, CA  
Tel: 949-462-9523  
Fax: 949-462-9608  
Tel: 951-273-7800

**Raleigh, NC**  
Tel: 919-844-7510

**New York, NY**  
Tel: 631-435-6000

**San Jose, CA**  
Tel: 408-735-9110  
Tel: 408-436-4270

**Canada - Toronto**  
Tel: 905-695-1980  
Fax: 905-695-2078

### ASIA/PACIFIC

**Asia Pacific Office**  
Suites 3707-14, 37th Floor  
Tower 6, The Gateway  
Harbour City, Kowloon

**Hong Kong**  
Tel: 852-2943-5100  
Fax: 852-2401-3431

**Australia - Sydney**  
Tel: 61-2-9868-6733  
Fax: 61-2-9868-6755

**China - Beijing**  
Tel: 86-10-8569-7000  
Fax: 86-10-8528-2104

**China - Chengdu**  
Tel: 86-28-8665-5511  
Fax: 86-28-8665-7889

**China - Chongqing**  
Tel: 86-23-8980-9588  
Fax: 86-23-8980-9500

**China - Dongguan**  
Tel: 86-769-8702-9880

**China - Guangzhou**  
Tel: 86-20-8755-8029

**China - Hangzhou**  
Tel: 86-571-8792-8115  
Fax: 86-571-8792-8116

**China - Hong Kong SAR**  
Tel: 852-2943-5100  
Fax: 852-2401-3431

**China - Nanjing**  
Tel: 86-25-8473-2460  
Fax: 86-25-8473-2470

**China - Qingdao**  
Tel: 86-532-8502-7355  
Fax: 86-532-8502-7205

**China - Shanghai**  
Tel: 86-21-3326-8000  
Fax: 86-21-3326-8021

**China - Shenyang**  
Tel: 86-24-2334-2829  
Fax: 86-24-2334-2393

**China - Shenzhen**  
Tel: 86-755-8864-2200  
Fax: 86-755-8203-1760

**China - Wuhan**  
Tel: 86-27-5980-5300  
Fax: 86-27-5980-5118

**China - Xian**  
Tel: 86-29-8833-7252  
Fax: 86-29-8833-7256

### ASIA/PACIFIC

**China - Xiamen**  
Tel: 86-592-2388138  
Fax: 86-592-2388130

**China - Zhuhai**  
Tel: 86-756-3210040  
Fax: 86-756-3210049

**India - Bangalore**  
Tel: 91-80-3090-4444  
Fax: 91-80-3090-4123

**India - New Delhi**  
Tel: 91-11-4160-8631  
Fax: 91-11-4160-8632

**India - Pune**  
Tel: 91-20-3019-1500

**Japan - Osaka**  
Tel: 81-6-6152-7160  
Fax: 81-6-6152-9310

**Japan - Tokyo**  
Tel: 81-3-6880-3770  
Fax: 81-3-6880-3771

**Korea - Daegu**  
Tel: 82-53-744-4301  
Fax: 82-53-744-4302

**Korea - Seoul**  
Tel: 82-2-554-7200  
Fax: 82-2-558-5932 or  
82-2-558-5934

**Malaysia - Kuala Lumpur**  
Tel: 60-3-6201-9857  
Fax: 60-3-6201-9859

**Malaysia - Penang**  
Tel: 60-4-227-8870  
Fax: 60-4-227-4068

**Philippines - Manila**  
Tel: 63-2-634-9065  
Fax: 63-2-634-9069

**Singapore**  
Tel: 65-6334-8870  
Fax: 65-6334-8850

**Taiwan - Hsin Chu**  
Tel: 886-3-5778-366  
Fax: 886-3-5770-955

**Taiwan - Kaohsiung**  
Tel: 886-7-213-7830

**Taiwan - Taipei**  
Tel: 886-2-2508-8600  
Fax: 886-2-2508-0102

**Thailand - Bangkok**  
Tel: 66-2-694-1351  
Fax: 66-2-694-1350

### EUROPE

**Austria - Wels**  
Tel: 43-7242-2244-39  
Fax: 43-7242-2244-393

**Denmark - Copenhagen**  
Tel: 45-4450-2828  
Fax: 45-4485-2829

**Finland - Espoo**  
Tel: 358-9-4520-820

**France - Paris**  
Tel: 33-1-69-53-63-20  
Fax: 33-1-69-30-90-79

**France - Saint Cloud**  
Tel: 33-1-30-60-70-00

**Germany - Garching**  
Tel: 49-8931-9700

**Germany - Haan**  
Tel: 49-2129-3766400

**Germany - Heilbronn**  
Tel: 49-7131-67-3636

**Germany - Karlsruhe**  
Tel: 49-721-625370

**Germany - Munich**  
Tel: 49-89-627-144-0  
Fax: 49-89-627-144-44

**Germany - Rosenheim**  
Tel: 49-8031-354-560

**Israel - Ra'anana**  
Tel: 972-9-744-7705

**Italy - Milan**  
Tel: 39-0331-742611  
Fax: 39-0331-466781

**Italy - Padova**  
Tel: 39-049-7625286

**Netherlands - Drunen**  
Tel: 31-416-690399  
Fax: 31-416-690340

**Norway - Trondheim**  
Tel: 47-7289-7561

**Poland - Warsaw**  
Tel: 48-22-3325737

**Romania - Bucharest**  
Tel: 40-21-407-87-50

**Spain - Madrid**  
Tel: 34-91-708-08-90  
Fax: 34-91-708-08-91

**Sweden - Gothenberg**  
Tel: 46-31-704-60-40

**Sweden - Stockholm**  
Tel: 46-8-5090-4654

**UK - Wokingham**  
Tel: 44-118-921-5800  
Fax: 44-118-921-5820

## X-ON Electronics

Largest Supplier of Electrical and Electronic Components

*Click to view similar products for [Power Management IC Development Tools](#) category:*

*Click to view products by [Microchip](#) manufacturer:*

Other Similar products are found below :

[EVB-EP5348UI](#) [MIC23451-AAAYFL EV](#) [MIC5281YMME EV](#) [124352-HMC860LP3E](#) [DA9063-EVAL](#) [ADP122-3.3-EVALZ](#) [ADP130-0.8-EVALZ](#) [ADP130-1.8-EVALZ](#) [ADP1740-1.5-EVALZ](#) [ADP1870-0.3-EVALZ](#) [ADP1874-0.3-EVALZ](#) [ADP199CB-EVALZ](#) [ADP2102-1.25-EVALZ](#) [ADP2102-1.875EVALZ](#) [ADP2102-1.8-EVALZ](#) [ADP2102-2-EVALZ](#) [ADP2102-3-EVALZ](#) [ADP2102-4-EVALZ](#) [AS3606-DB](#) [BQ25010EVM](#) [BQ3055EVM](#) [ISLUSBI2CKIT1Z](#) [LP38512TS-1.8EV](#) [EVAL-ADM1186-1MBZ](#) [EVAL-ADM1186-2MBZ](#) [ADP122UJZ-REDYKIT](#) [ADP166Z-REDYKIT](#) [ADP170-1.8-EVALZ](#) [ADP171-EVALZ](#) [ADP1853-EVALZ](#) [ADP1873-0.3-EVALZ](#) [ADP198CP-EVALZ](#) [ADP2102-1.0-EVALZ](#) [ADP2102-1-EVALZ](#) [ADP2107-1.8-EVALZ](#) [ADP5020CP-EVALZ](#) [CC-ACC-DBMX-51](#) [ATPL230A-EK](#) [MIC23250-S4YMT EV](#) [MIC26603YJL EV](#) [MIC33050-SYHL EV](#) [TPS60100EVM-131](#) [TPS65010EVM-230](#) [TPS71933-28EVM-213](#) [TPS72728YFFEVM-407](#) [TPS79318YEQEVM](#) [UCC28810EVM-002](#) [XILINXPWR-083](#) [LMR22007YMINI-EVM](#) [LP38501ATJ-EV](#)