



MICROCHIP

MIC23656
Evaluation Board
User's Guide

Note the following details of the code protection feature on Microchip devices:

- Microchip products meet the specification contained in their particular Microchip Data Sheet.
- Microchip believes that its family of products is one of the most secure families of its kind on the market today, when used in the intended manner and under normal conditions.
- There are dishonest and possibly illegal methods used to breach the code protection feature. All of these methods, to our knowledge, require using the Microchip products in a manner outside the operating specifications contained in Microchip's Data Sheets. Most likely, the person doing so is engaged in theft of intellectual property.
- Microchip is willing to work with the customer who is concerned about the integrity of their code.
- Neither Microchip nor any other semiconductor manufacturer can guarantee the security of their code. Code protection does not mean that we are guaranteeing the product as "unbreakable."

Code protection is constantly evolving. We at Microchip are committed to continuously improving the code protection features of our products. Attempts to break Microchip's code protection feature may be a violation of the Digital Millennium Copyright Act. If such acts allow unauthorized access to your software or other copyrighted work, you may have a right to sue for relief under that Act.

Information contained in this publication regarding device applications and the like is provided only for your convenience and may be superseded by updates. It is your responsibility to ensure that your application meets with your specifications. MICROCHIP MAKES NO REPRESENTATIONS OR WARRANTIES OF ANY KIND WHETHER EXPRESS OR IMPLIED, WRITTEN OR ORAL, STATUTORY OR OTHERWISE, RELATED TO THE INFORMATION, INCLUDING BUT NOT LIMITED TO ITS CONDITION, QUALITY, PERFORMANCE, MERCHANTABILITY OR FITNESS FOR PURPOSE. Microchip disclaims all liability arising from this information and its use. Use of Microchip devices in life support and/or safety applications is entirely at the buyer's risk, and the buyer agrees to defend, indemnify and hold harmless Microchip from any and all damages, claims, suits, or expenses resulting from such use. No licenses are conveyed, implicitly or otherwise, under any Microchip intellectual property rights unless otherwise stated.

Microchip received ISO/TS-16949:2009 certification for its worldwide headquarters, design and wafer fabrication facilities in Chandler and Tempe, Arizona; Gresham, Oregon and design centers in California and India. The Company's quality system processes and procedures are for its PIC® MCUs and dsPIC® DSCs, KEELOQ® code hopping devices, Serial EEPROMs, microperipherals, nonvolatile memory and analog products. In addition, Microchip's quality system for the design and manufacture of development systems is ISO 9001:2000 certified.

**QUALITY MANAGEMENT SYSTEM
CERTIFIED BY DNV
= ISO/TS 16949 =**

Trademarks

The Microchip name and logo, the Microchip logo, AnyRate, AVR, AVR logo, AVR Freaks, BitCloud, chipKIT, chipKIT logo, CryptoMemory, CryptoRF, dsPIC, FlashFlex, flexPWR, Helder, JukeBlox, KeeLoq, Klear, LANCheck, LINK MD, maXStylus, maXTouch, MediaLB, megaAVR, MOST, MOST logo, MPLAB, OptoLyzer, PIC, picoPower, PICSTART, PIC32 logo, Prochip Designer, QTouch, SAM-BA, SpyNIC, SST, SST Logo, SuperFlash, tinyAVR, UNI/O, and XMEGA are registered trademarks of Microchip Technology Incorporated in the U.S.A. and other countries.

ClockWorks, The Embedded Control Solutions Company, EtherSynch, Hyper Speed Control, HyperLight Load, IntellIMOS, mTouch, Precision Edge, and Quiet-Wire are registered trademarks of Microchip Technology Incorporated in the U.S.A.

Adjacent Key Suppression, AKS, Analog-for-the-Digital Age, Any Capacitor, AnyIn, AnyOut, BodyCom, CodeGuard, CryptoAuthentication, CryptoAutomotive, CryptoCompanion, CryptoController, dsPICDEM, dsPICDEM.net, Dynamic Average Matching, DAM, ECAN, EtherGREEN, In-Circuit Serial Programming, ICSP, INICnet, Inter-Chip Connectivity, JitterBlocker, KlearNet, KlearNet logo, memBrain, Mindi, MiWi, motorBench, MPASM, MPF, MPLAB Certified logo, MPLIB, MPLINK, MultiTRAK, NetDetach, Omniscient Code Generation, PICDEM, PICDEM.net, PICKit, PICtail, PowerSmart, PureSilicon, QMatrix, REAL ICE, Ripple Blocker, SAM-ICE, Serial Quad I/O, SMART-I.S., SQI, SuperSwitcher, SuperSwitcher II, Total Endurance, TSHARC, USBCheck, VariSense, ViewSpan, WiperLock, Wireless DNA, and ZENA are trademarks of Microchip Technology Incorporated in the U.S.A. and other countries.

SQTP is a service mark of Microchip Technology Incorporated in the U.S.A.

Silicon Storage Technology is a registered trademark of Microchip Technology Inc. in other countries.

GestIC is a registered trademark of Microchip Technology Germany II GmbH & Co. KG, a subsidiary of Microchip Technology Inc., in other countries.

All other trademarks mentioned herein are property of their respective companies.

© 2018, Microchip Technology Incorporated, All Rights Reserved.
ISBN: 978-1-5224-3816-8

Table of Contents

Preface	4
Introduction.....	4
Document Layout	4
Conventions Used in this Guide	5
Recommended Reading.....	6
The Microchip Website	6
Customer Support	6
Document Revision History	6
 Chapter 1. Product Overview	
1.1 Introduction	7
1.2 MIC23656 Short Overview	7
1.3 What is the MIC23656 Evaluation Board?	8
1.4 Contents of the MIC23656 Evaluation Board Kit	8
 Chapter 2. Installation and Operation	
2.1 Introduction	9
2.2 Features	10
2.3 Getting Started	10
 Chapter 3. GUI Installation and Operation	
3.1 Getting Started	15
3.2 Graphical User Interface Installation	15
3.3 I ² C Monitor Graphical User Interface Uninstall	18
 Chapter 4. GUI Description	
4.1 Introduction	19
4.2 The Graphical User Interface	20
 Appendix A. Schematic and Layouts	
A.1 Introduction	26
A.2 Board – Schematic	27
A.3 Board – Top Silk	28
A.4 Board – Top Copper and Silk	28
A.5 Board – Top Copper	29
A.6 Board – Bottom Copper	29
 Appendix B. Bill of Materials (BOM)	
 Appendix C. MIC23656 Internal Registers	
C.1 Register MAP and I2C programmability	32
 Worldwide Sales and Service	37

Preface

NOTICE TO CUSTOMERS

All documentation becomes dated, and this manual is no exception. Microchip tools and documentation are constantly evolving to meet customer needs, so some actual dialogs and/or tool descriptions may differ from those in this document. Please refer to our website (www.microchip.com) to obtain the latest documentation available.

Documents are identified with a “DS” number. This number is located on the bottom of each page, in front of the page number. The numbering convention for the DS number is “DSXXXXA”, where “XXXX” is the document number and “A” is the revision level of the document.

For the most up-to-date information on development tools, see the MPLAB® IDE on-line help. Select the Help menu, and then Topics to open a list of available on-line help files.

INTRODUCTION

This chapter contains general information that will be useful to know before using the MIC23656 Evaluation Board. Items discussed in this chapter include:

- [Document Layout](#)
- [Conventions Used in this Guide](#)
- [Recommended Reading](#)
- [The Microchip Website](#)
- [Customer Support](#)
- [Document Revision History](#)

DOCUMENT LAYOUT

This document describes how to use the MIC23656 Evaluation Board as a development tool. The manual layout is as follows:

- **Chapter 1. “Product Overview”** – Important information about the MIC23656.
- **Chapter 2. “Installation and Operation”** – Includes instructions on how to get started with the MIC23656 Evaluation Board and a description of each function.
- **Chapter 3. “GUI Installation and Operation”** – Includes instructions on how to install the Graphical User Interface.
- **Chapter 4. “GUI Description”** – Describes the items in the Graphical User Interface
- **Appendix A. “Schematic and Layouts”** – Shows the schematic and layout diagrams for the MIC23656.
- **Appendix B. “Bill of Materials (BOM)”** – Lists the parts used to build the MIC23656 Evaluation Board.
- **Appendix C. “MIC23656 Internal Registers”** – Describes the internal registers.

CONVENTIONS USED IN THIS GUIDE

This manual uses the following documentation conventions:

DOCUMENTATION CONVENTIONS

Description	Represents	Examples
Arial font:		
Italic characters	Referenced books	<i>MPLAB[®] IDE User's Guide</i>
	Emphasized text	...is the <i>only</i> compiler...
Initial caps	A window	the Output window
	A dialog	the Settings dialog
	A menu selection	select Enable Programmer
Quotes	A field name in a window or dialog	"Save project before build"
Underlined, italic text with right angle bracket	A menu path	<u><i>File>Save</i></u>
Bold characters	A dialog button	Click OK
	A tab	Click the Power tab
N'Rnnnn	A number in verilog format, where N is the total number of digits, R is the radix and n is a digit.	4'b0010, 2'hF1
Text in angle brackets < >	A key on the keyboard	Press <Enter>, <F1>
Courier New font:		
Plain Courier New	Sample source code	#define START
	Filenames	autoexec.bat
	File paths	c:\mcc18\h
	Keywords	_asm, _endasm, static
	Command-line options	-Opa+, -Opa-
	Bit values	0, 1
	Constants	0xFF, 'A'
Italic Courier New	A variable argument	<i>file.o</i> , where <i>file</i> can be any valid filename
Square brackets []	Optional arguments	mcc18 [options] <i>file</i> [options]
Curly brackets and pipe character: { }	Choice of mutually exclusive arguments; an OR selection	errorlevel {0 1}
Ellipses...	Replaces repeated text	var_name [, var_name...]
	Represents code supplied by user	void main (void) { ... }

RECOMMENDED READING

This user's guide describes how to use the MIC23656 Evaluation Board. Another useful document is listed below. The following Microchip document is available and recommended as a supplemental reference resource:

- **MIC23656 Data Sheet - "6A, Step-Down Converter with HyperLight Load™ and I²C Interface" (DS20006112)**

THE MICROCHIP WEBSITE

Microchip provides online support via our website at www.microchip.com. This website is used as a means to make files and information easily available to customers. Accessible by using your favorite Internet browser, the website contains the following information:

- **Product Support** – Data sheets and errata, application notes and sample programs, design resources, user's guides and hardware support documents, latest software releases and archived software
- **General Technical Support** – Frequently Asked Questions (FAQs), technical support requests, online discussion groups, Microchip consultant program member listing
- **Business of Microchip** – Product selector and ordering guides, latest Microchip press releases, listing of seminars and events, listings of Microchip sales offices, distributors and factory representatives

CUSTOMER SUPPORT

Users of Microchip products can receive assistance through several channels:

- Distributor or Representative
- Local Sales Office
- Field Application Engineer (FAE)
- Technical Support

Customers should contact their distributor, representative or field application engineer (FAE) for support. Local sales offices are also available to help customers. A listing of sales offices and locations is included in the back of this document.

Technical support is available through the website at:
<http://www.microchip.com/support>.

DOCUMENT REVISION HISTORY

Revision A (November 2018)

- Initial Release of this Document.

Chapter 1. Product Overview

1.1 INTRODUCTION

This chapter provides an overview of the MIC23656 Evaluation Board and covers the following topics:

- [MIC23656 Short Overview](#)
- [What is the MIC23656 Evaluation Board?](#)
- [Contents of the MIC23656 Evaluation Board Kit](#)

1.2 MIC23656 SHORT OVERVIEW

The MIC23656 is a compact I²C programmable, high-efficiency, 6A peak current, synchronous step-down regulator. The Constant-ON-Time (COT) control architecture with HyperLight Load™ (HLL) provides very high efficiency at light loads, while still having ultra-fast transient response. The user can program, via the I²C interface, various parameters such as output voltage, ON-time, soft start slope, high-side current limit, HLL or Forced PWM mode of operation. The 2.4V to 5.5V input voltage range, low shutdown and quiescent currents make the MIC23656 ideal for single-cell, Li-Ion, battery-powered applications.

An open-drain Power Good (PG) output is provided to indicate when the output voltage is within 9% of regulation and facilitates output voltage monitoring and sequencing. When set in Shutdown mode (EN = GND), the current consumption of MIC23656 is reduced to 1.5 μ A (typical).

The MIC23656 is available in a thermally-efficient, 16-Lead 2.5 mm x 2.5 mm x 0.55 mm thin MLF package, with an operating junction temperature range from -40°C to +125°C.

More detailed information regarding the capabilities of the MIC23656 are available in the data sheet.

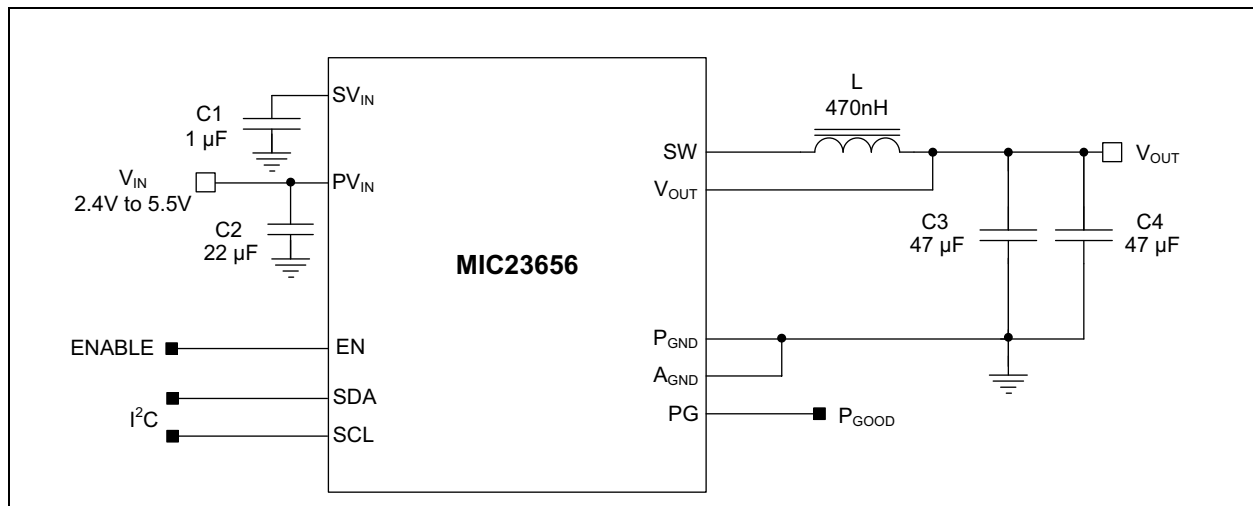


FIGURE 1-1: Typical MIC23656 Step-Down Application.

1.3 WHAT IS THE MIC23656 EVALUATION BOARD?

The MIC23656 Evaluation Board is used to evaluate and demonstrate Microchip Technology's MIC23656 product. This board demonstrates the MIC23656 in a buck converter application supplied from an external voltage source (2.4V-5.5V), with I²C programmed regulated output. The I²C Monitor GUI allows comprehensive control and status reporting with the MIC23656.

1.4 CONTENTS OF THE MIC23656 EVALUATION BOARD KIT

The MIC23656 Evaluation Board kit includes:

- MIC23656 Evaluation Board (ADM00886)
- Important Information Sheet

Chapter 2. Installation and Operation

2.1 INTRODUCTION

The MIC23656 Evaluation Board has been developed to test the MIC23656 capabilities, including loading up to 6A, control and monitor through the USB interface (via I²C Monitor GUI). Pin headers are also fitted for Bode Analysis and external I²C communication.

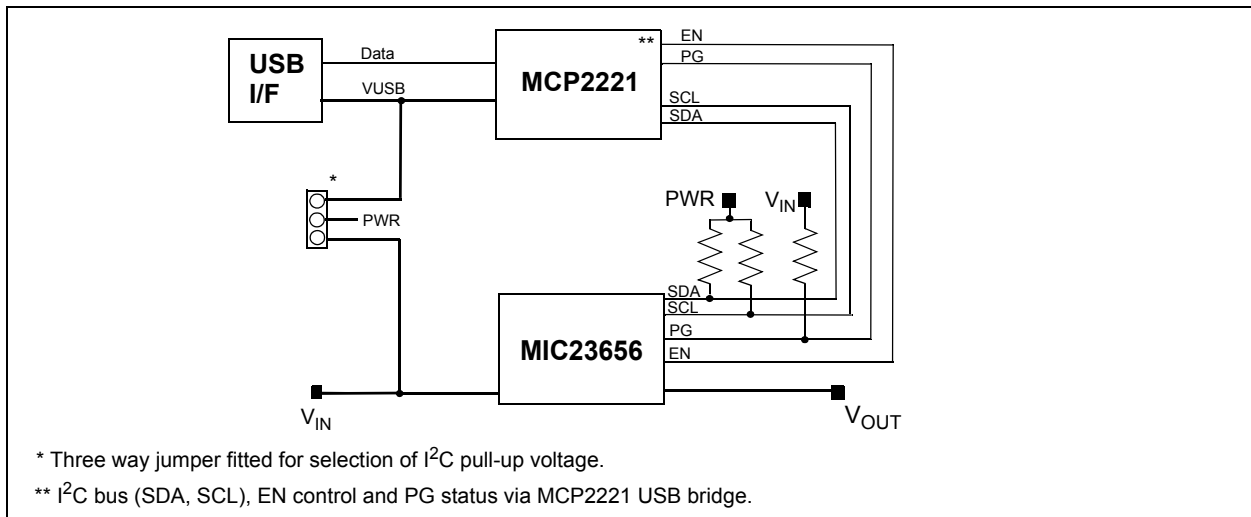


FIGURE 2-1: MIC23656 Step-Down Regulator with MCP2221 I²C Bridge.

2.2 FEATURES

The MIC23656 Evaluation Board has the following features:

- Input Voltage Range 2.4V to 5.5V
- 6A (maximum) Peak and 4.5A Continuous Output Current
- Multiple Faults Indication through I²C
- I²C Programmable:
 - Output voltage: 0.6V-1.28V, 5 mV resolution
 - Slew rate: 0.2 ms/V-3.2 ms/V
 - Switching frequency: up to 2.5 MHz
 - High-Side current limit: 3.5A-10A
 - Enable delay: 0.25 ms-3 ms
 - Output discharge when disabled
- High Efficiency (up to 95%)
- ±1.5% Output Voltage Accuracy Overline/load/temperature Range
- Safe Start-Up with Pre-Biased Output
- Typical 1.5 μ A Shutdown Supply Current
- Low Dropout (100% Duty Cycle) Operation
- Ultra-Fast Transient Response
- I²C Control up to 3.4 MHz
- Latch-Off Thermal Shutdown Protection
- Latch-Off Current Limit Protection
- Power Good Open-Drain Output

2.3 GETTING STARTED

The MIC23656 Evaluation Board is fully assembled and tested to evaluate and demonstrate the MIC23656 product. This board requires the use of external lab supplies and a PC. The MIC23656 is offered in four different product options, depending on the default settings at power-up, prior to any I²C write operation. The differences among the various product options are described in the MIC23656 data sheet. The Evaluation Board carries the -HAYFT option, whose default output voltage is 1.0V. All the device options may be fitted on the board, as is.

2.3.1 Power Input and Output Connection

2.3.1.1 POWERING THE MIC23656 EVALUATION BOARD

When the board is ready for evaluation, apply positive input voltage to the V_{IN} terminal and the corresponding return to the GND-IN terminal. The maximum input voltage should not exceed 5.5V. An electronic load or resistive load can be used for evaluation. Some electronic loads can sink the programmed current starting from very low output voltage levels during start-up. For a more realistic start-up behavior evaluation, a resistive load or constant resistance is recommended. Connect the positive voltage terminal of the load to the V_{OUT} terminal on the evaluation board and connect the negative or return side of the load to the GND-OUT terminal. If changing the regulator parameters is required or simply to monitor the part, make sure to connect the Micro-USB cable between the Evaluation Board and the PC. Then, install the GUI according to [Chapter 3. “GUI Installation and Operation”](#) and follow the indications in [Chapter 2. “Installation and Operation”](#) for more extensive evaluation.

Note: The inductance associated with long wires on the board input may cause voltage spikes at load stepping or start-up into heavy load. If the spikes exceed the 5.5V maximum input voltage rating, the MIC23656 may fail. This can be prevented by populating a 470 μ F Electrolytic Capacitor on C8 footprint.

2.3.1.2 BOARD POWER-UP PROCEDURE

For the power-up procedure, follow the steps below:

1. Connect the PC, input supply, voltmeter, ammeter and load as shown in [Figure 2-2](#). Set the ammeter on a 10A range.
2. Fit a jumper on the EN position across the J6 header, as marked on the silk-screen.
3. Once the input voltage is greater than 2.35V at the board input (V_{IN}), the device begins to switch.
4. The Voltmeter should now indicate an output voltage according to the preset register values. Adjusting the input voltage and load should not cause the output to vary more than a few mV over the operating range of the converter.
5. Set the input voltage and the load to the desired values, with a maximum of 5.5V on the input voltage and a maximum load of 6A.
6. Adjust the regulator output and monitor the STATUS registers, as described in [Chapter 4. “GUI Description”](#).
7. Optionally, for more advanced readings, place Oscilloscope probe 1 in “SW” test point to monitor the switching waveforms and probe 2 on the output header (close to the output capacitors) to measure the AC ripple of the output voltage.

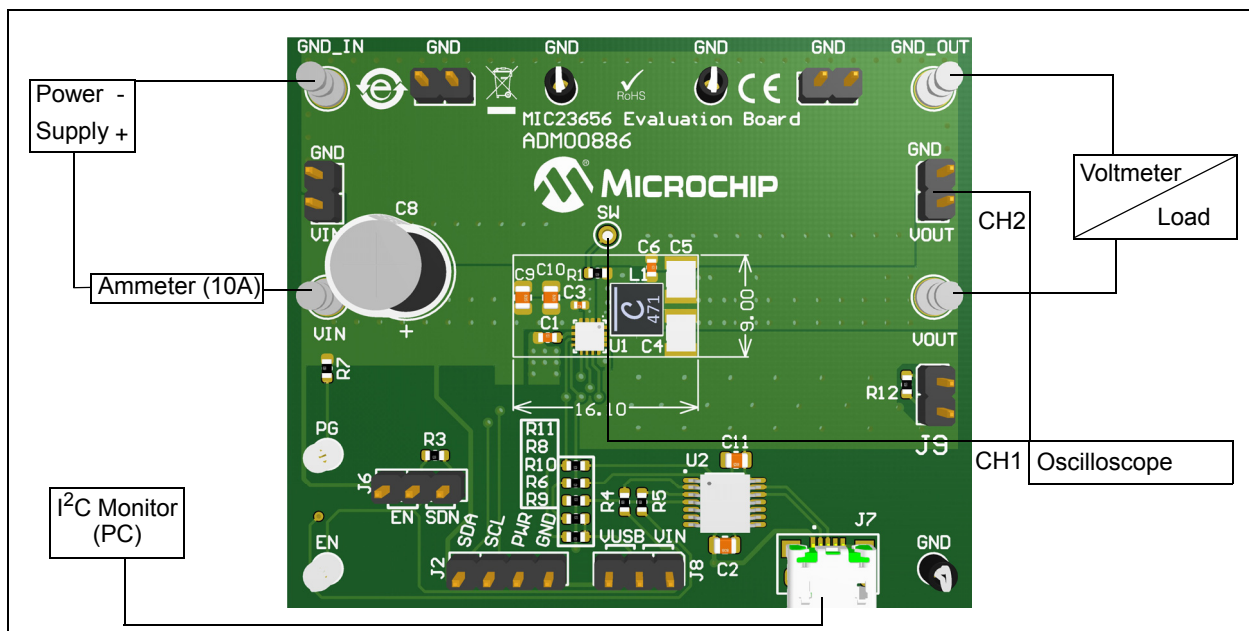


FIGURE 2-2: MIC23656 Evaluation Board Test Setup.

2.3.1.3 PERFORMANCE EVALUATION

The Oscilloscope screen capture in [Figure 2-3](#) displays the MIC23656 switching waveforms during normal operation, when supplied from 5V input at full load (6A).

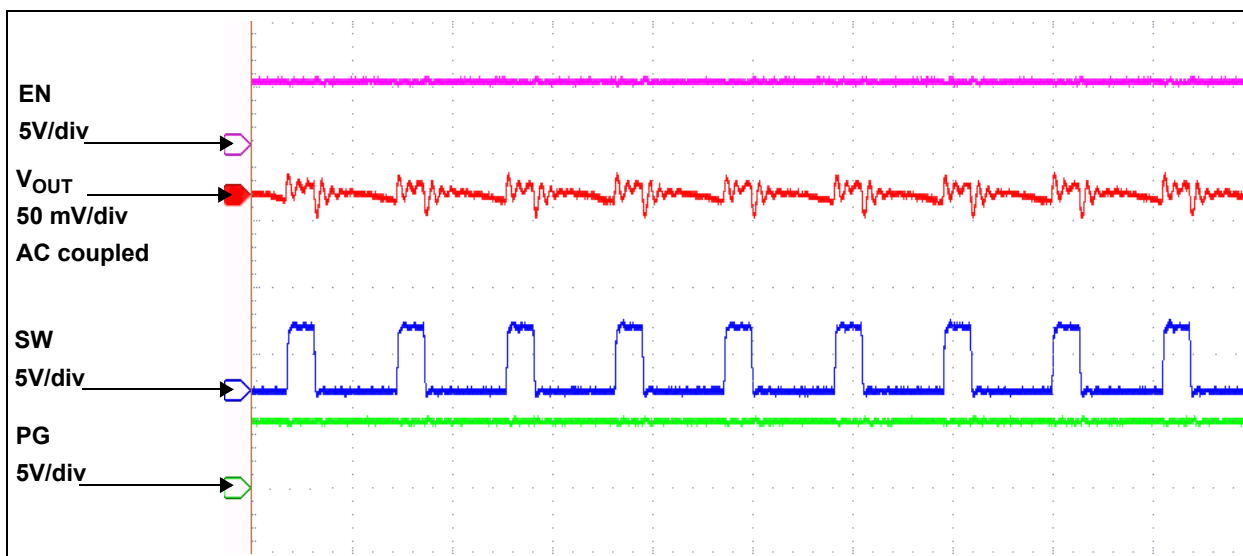


FIGURE 2-3: Normal Operation at 1V Output, 6A Load.

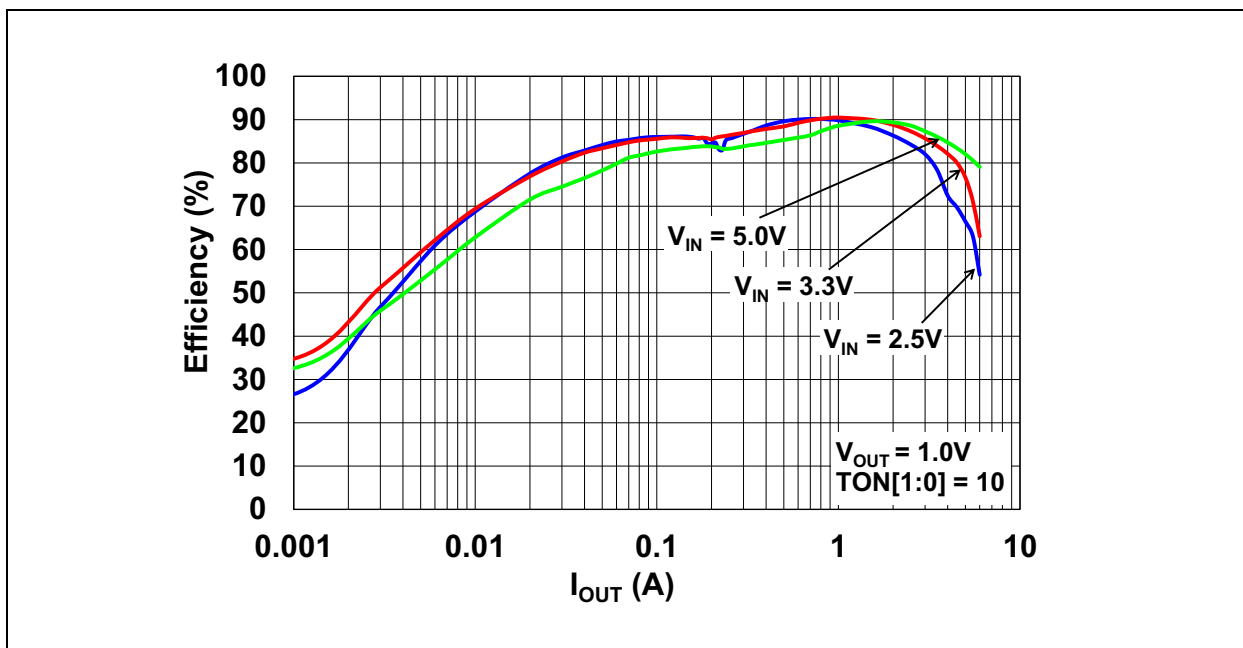


FIGURE 2-4: Efficiency vs. I_{OUT}

2.3.1.4 LOOP GAIN MEASUREMENT

The MIC23656 Evaluation Board provides injection points and a termination resistor (R4) for AC loop gain measurements. If needed, the value of R4 can be changed to optimize the injection signal level. Inject the oscillator at J6 through the insulation transformer (i.e., across resistor R4) and connect the A (CH1) and B (CH2) channels to TP1 and TP2, respectively, or as indicated by the operating instructions of the particular loop gain analyzer in use.

2.3.1.5 I²C PULL-UP VOLTAGE SELECTION

The MIC23656 Evaluation Board is equipped with a jumper for selecting the I²C pull-up supply voltage. The J8 header can be used to select the I²C pull-up voltage to either V_{USB} or V_{IN}. If a different pull-up voltage is desired, it can be injected into the PWR pin of J2. In this case, make sure that no jumper is installed on header J8, to prevent shorting of the externally injected pull-up voltage to either V_{USB} or V_{IN}.

2.3.1.6 USING THE MIC23656 EVALUATION BOARD WITH THE EXTERNAL I²C MASTER

In order to use the MIC23656 with an external I²C master (like a microcontroller, microprocessor or another I²C master), the on-board MCP2221 must be disabled. To accomplish this, the pull-down resistor R10 must be populated to avoid any interference between the MCP2221 and the external I²C master. Then, the desired I²C master can be connected to J2. If the external I²C master already provides pull-up resistors for the SDA and SCL lines, then the I²C pull-up resistors R6 and R9, present on the MIC23656 Evaluation Board, are not needed and must be removed to prevent pull-up voltage conflicts.

2.3.1.7 STARTING THE MIC23656 WITH A CUSTOM OUTPUT VOLTAGE

To power-up the MIC23656 with a custom output voltage, the MIC23656 Evaluation Board must be first powered-up with the MIC23656 disabled (either by placing the EN jumper on the J6 header, SDN position, or applying a Logic '0' voltage on the EN test point). Program it via I²C interface to the desired output voltage and then start it by placing the EN jumper on J6, EN position (or by applying a Logic '1' voltage on the EN test point). The MIC23656 does not retain the set voltage and returns to the default configuration after a power cycle.

2.3.1.8 MIC23656 EVALUATION BOARD ENABLE OPTIONS

In order to enable the MIC23656 on the Evaluation Board, three options are provided:

1. The EN jumper placed on the J6 header – by placing a jumper on the EN position as described by the silkscreen and by having bit 1 of register CTRL1 (address 0x00) set to '1', the MIC23656 is enabled. By placing a jumper on the SDN position, the MIC23656 is disabled. The MIC23656 Evaluation Board features a pull-down resistor R3 connected to the EN pin, so, by default, without any jumper connected, the regulator will be disabled.
2. Software controlled – by setting EN_INT (bit 1) of register CTRL1 (address 0x00), the MIC23656 status is controlled by EN_CON (bit 0) of the CTRL1 register and the EN pin status is ignored. By setting the EN_CON bit, the MIC23656 is enabled and by clearing the EN_CON bit, the MIC23656 is disabled.
3. MCP2221 GPIO control – by checking “Enable GP0 Control” in the I2CMonitor GUI, the EN pin is controlled by the GP0 output of the MCP2221 and by using the “GP0 active” button, the MIC23656 is enabled or disabled.

Note: When using MCP2221 GPIO control, remove any low-impedance connection between the EN pin and V_{IN} or GND (e.g., a jumper on the J6 header), as this may cause undefined behavior.

2.3.1.9 PCB LAYOUT CONSIDERATIONS

For the best performance with the minimum occupied board space, some proper layout techniques should be applied. First, the input and output capacitors should be placed as close to the MIC23656 as possible and on the same layer as the IC. This will ensure low ripple and lower switching noise. Then, vias must be used under the MIC23656, from its exposed pad to the GND plane, in order to improve heat dissipation. Lastly, the switching node (from the SW pin of the MIC23656 to the inductor) should be as small as possible to decrease EMI emission.

2.3.1.10 BENCH TESTING AT HIGH CURRENTS

When testing the MIC23656 device at high-load currents or when checking the over-current protection behavior, it may be necessary to remove the series ammeter shown in [Figure 2-2](#) or to replace it with a very low-value shunt resistor. This is because the internal resistance of many Digital Multimeters (DMMs) used for current measurements is generally too high.

2.3.1.11 THERMAL CONSIDERATIONS

The MIC23656 Junction-to-Ambient Thermal Resistance θ_{JA} , as measured on the Evaluation Board, is approximately $+45^{\circ}\text{C}/\text{W}$. Depending on the loading conditions, ambient temperature, and device settings, the junction temperature might exceed the rated operating limit of $+125^{\circ}\text{C}$ due to internal power dissipation. Continuous operation above the maximum operating limits stated in the data sheet should be avoided.

Chapter 3. GUI Installation and Operation

3.1 GETTING STARTED

In order to install, use and evaluate the product, several software and hardware tools are required.

3.1.1 Required Software

- I²C Monitor Graphical User Interface (minimum v.3.1.2)
- Microsoft[®].NET Framework 4.5 or higher
- Adobe Acrobat Reader

3.1.2 Required Hardware

- MIC23656 Evaluation Board
- USB-to-micro-USB Cable

3.2 GRAPHICAL USER INTERFACE INSTALLATION

The following steps describe how to install the I²C Monitor Graphical User Interface:

1. If Microsoft[®].NET Framework is already installed, go to [Step 3](#). If not, download Microsoft[®].NET Framework from www.microsoft.com and follow the installation instructions.
2. If Adobe Acrobat Reader is already installed, go to [Step 3](#). If not, download Adobe Acrobat Reader from <http://get.adobe.com/reader/> and follow the installation instructions.
3. Download the I²C Monitor Graphical User Interface (v.3.1.2) archive from www.microchip.com/MIC23656, under "Documentation&Software".
4. Unzip the I²C Monitor Graphical User Interface archive, which contains the `setup.exe` file.

Note: If an older version or a corrupted version of the current I²C Monitor Graphical User Interface is already installed on the computer, please see [Section 3.3 "I²C Monitor Graphical User Interface Uninstall"](#) before proceeding with the installation.

5. Double click the `setup.exe` file to open the InstallShield Wizard window and wait for the extraction to complete. If required, the installation can be stopped by pressing the **Cancel** button.

6. In the Welcome to the InstallShield Wizard for I2CMonitor window, click the **Next** button to start the installation.

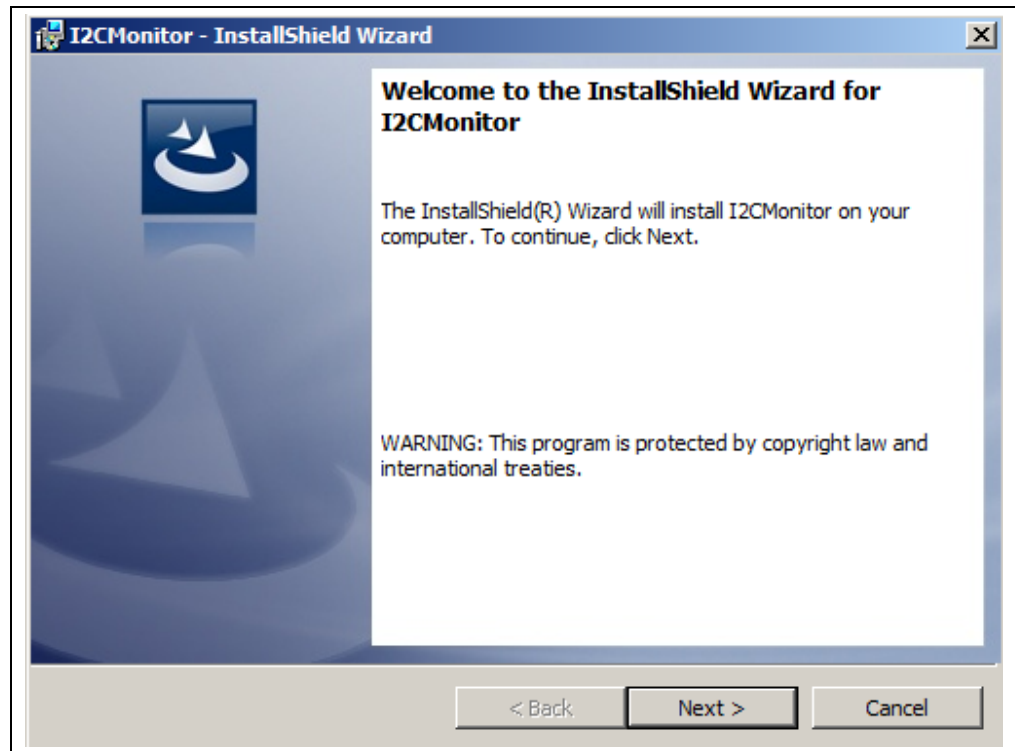


FIGURE 3-1: Starting the I²C Monitor Graphical User Interface Installation.

7. The installation path can be changed, although it is recommended to keep the default path. Click **Next** to continue.

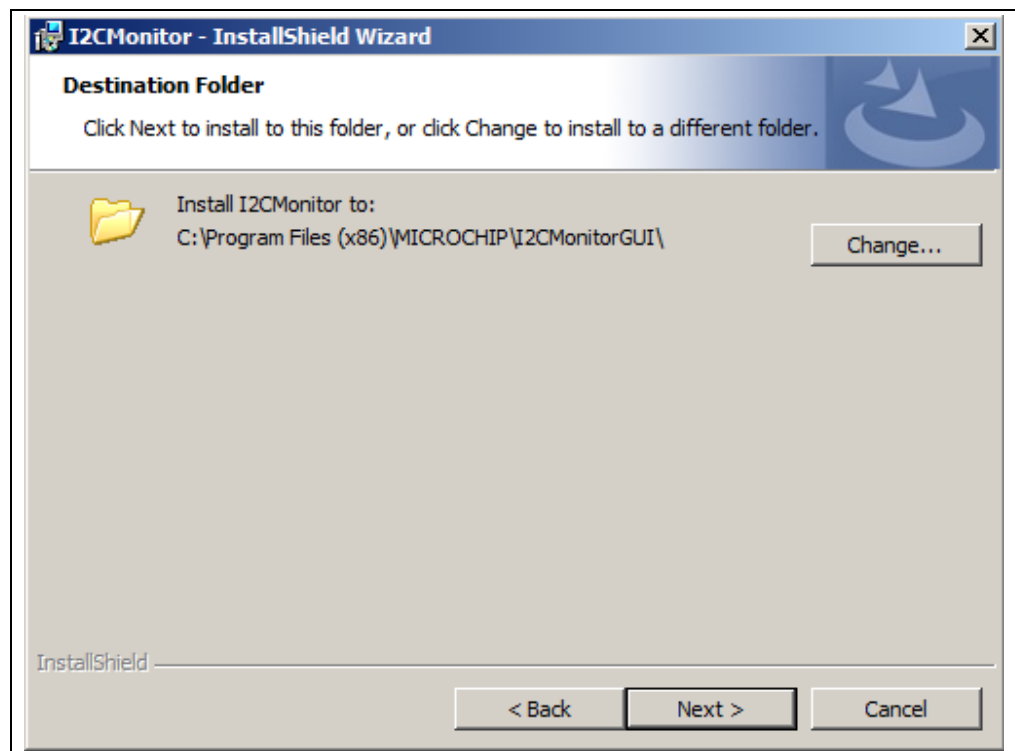


FIGURE 3-2: Selecting the Destination Folder.

8. In the Ready to Install the Program window, click the **Install** button and wait for the application to proceed with the installation. The progress can be observed in the “Status” bar.

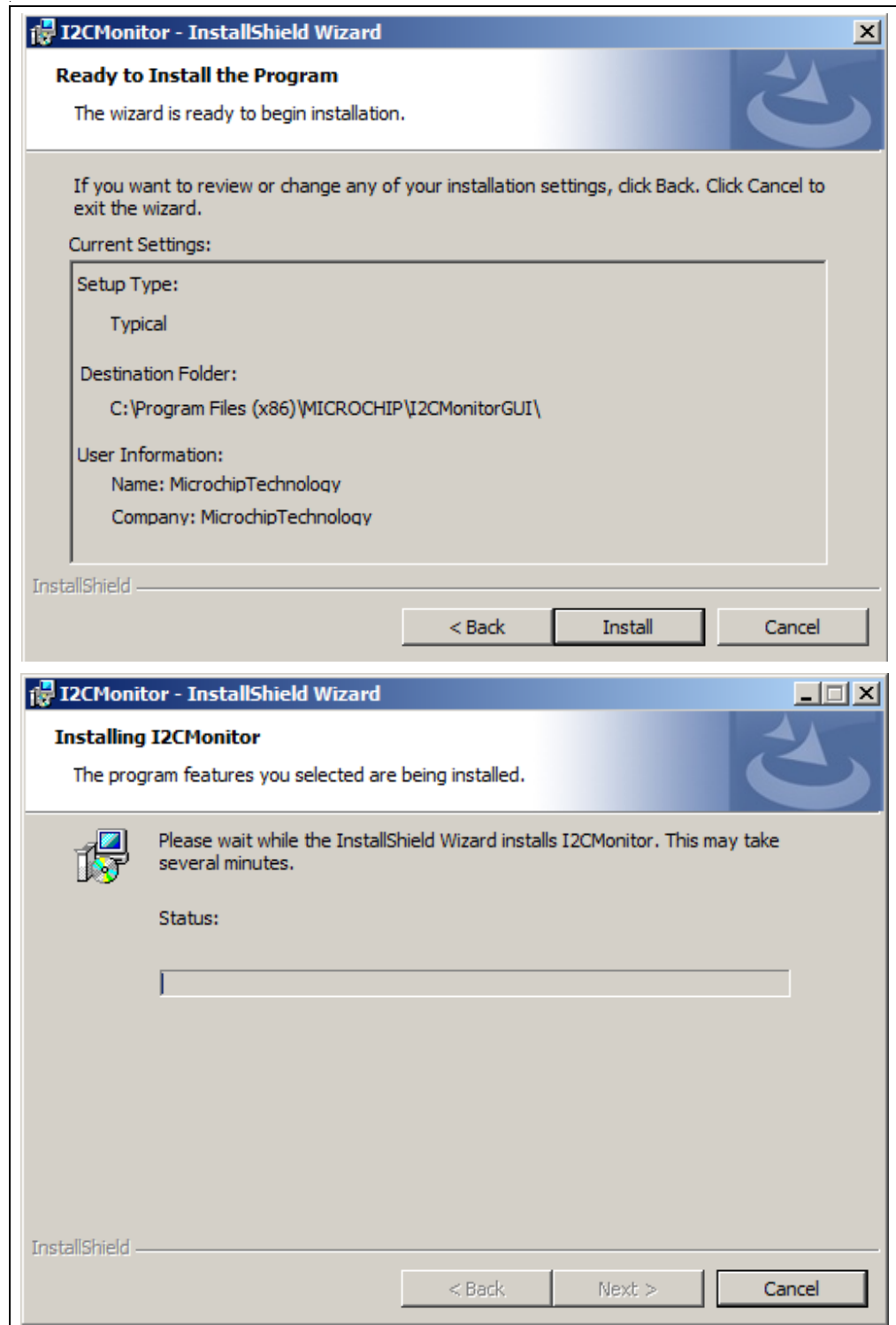


FIGURE 3-3: Installing the I²C Monitor Graphical User Interface.

9. Once the installation is complete, leave the “Launch the program” box checked to automatically start the I²C Monitor GUI, or deselect this check box to start the GUI at a later stage. Click **Finish** to end the installation.

To start the GUI at a later stage, either click the desktop icon or browse to *Windows Start>All Programs>Microchip>I2C Monitor*.

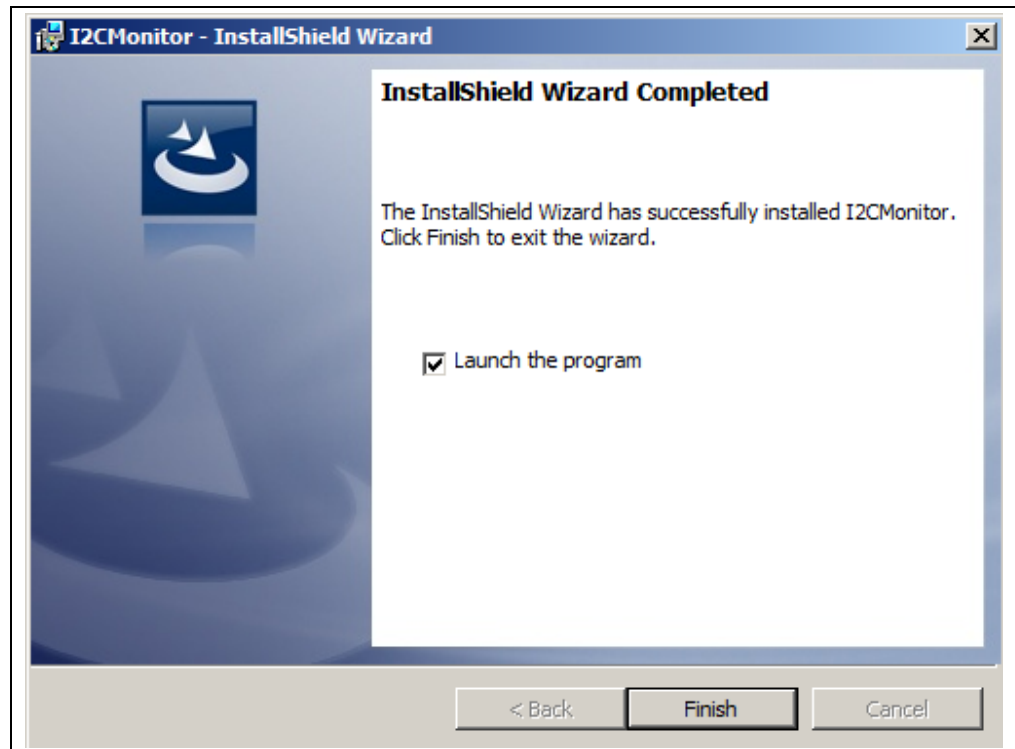


FIGURE 3-4: *The Installation Complete Window.*

3.3 I²C MONITOR GRAPHICAL USER INTERFACE UNINSTALL

In order to install a new version of the I²C Monitor Graphical User Interface, any previous version or corrupted version should be removed from the computer.

To uninstall, go to *Windows Start>Control Panel>Uninstall a program>I2CMonitor*. The I²C Monitor GUI will automatically close once the uninstallation process is complete.

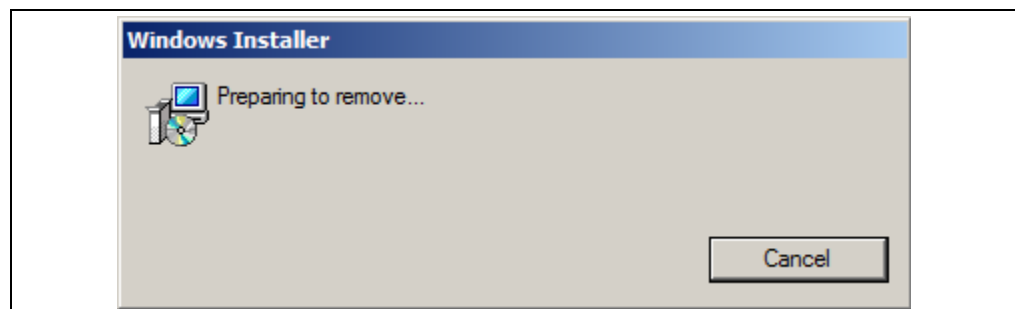


FIGURE 3-5: *Uninstalling the I²C Monitor Graphical User Interface.*

Chapter 4. GUI Description

4.1 INTRODUCTION

This chapter describes how to use the I²C Monitor Graphical User Interface, using the MIC23656 Evaluation Board included in the kit.

NOTICE

This chapter provides information regarding the use of the GUI only in the case of the MIC23656 device. For other devices using the I²C Monitor Graphical User Interface, see their specific Data Sheets and User's Guides.

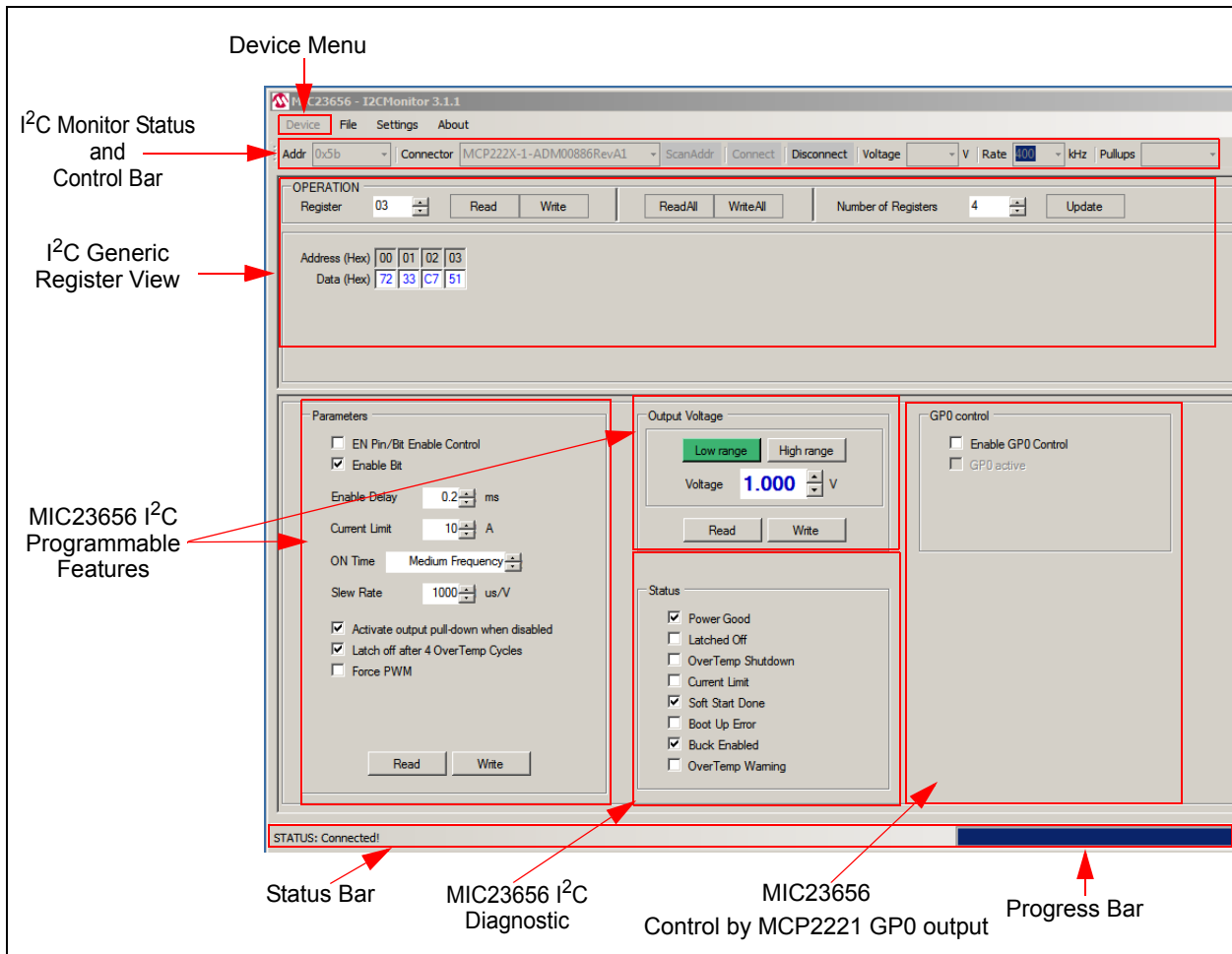


FIGURE 4-1: I²C Monitor Graphical User Interface Main Window - MIC23656 View.

4.2 THE GRAPHICAL USER INTERFACE

The following sections describe the items in the Graphical User Interface.

4.2.1 Device Menu

The Device drop-down menu allows the user to select the device to be evaluated. If an evaluation (or added custom) board is used, the profile will automatically change to the preselected profile.

4.2.2 File Menu

The File menu allows the user to save (Save registers to file) the registers of the currently selected device to a file that can then be loaded into the GUI by using the **Load registers from file** button. The saved file can also be edited (open it with a text editor).

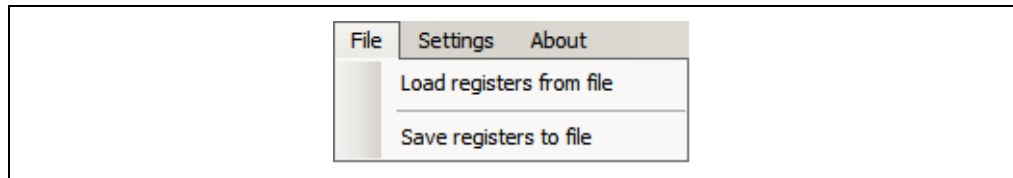


FIGURE 4-2: File Menu.

4.2.3 Settings Menu

From the Settings menu, add a new custom board to be automatically detected and switch to its profile. To do this, go to *Settings>Device* descriptors and in the Descriptors window, add the desired “Board” descriptor and select the desired “Device” profile.

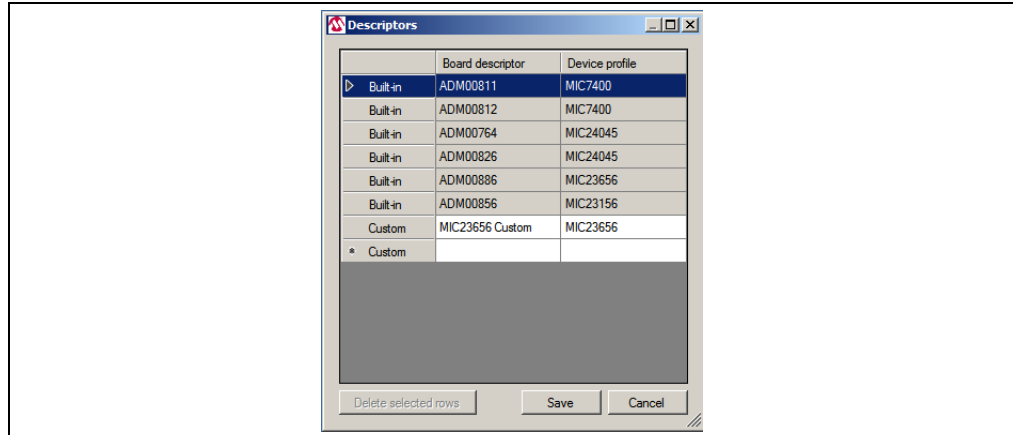


FIGURE 4-3: Custom Board Menu.

4.2.4 I²C Monitor Status and Control Bar

The “Status and Control” bar contains the items in [Table 4-1](#).

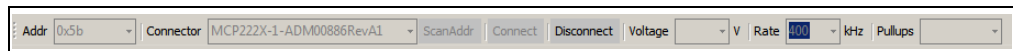


FIGURE 4-4: I²C Monitor Status and Control Bar.

TABLE 4-1: MONITOR STATUS AND CONTROL BAR

Item	Description
Addr	This drop-down menu shows the address of the available devices.
Connector	This drop-down menu shows the type of connector used to connect the board.
ScanAddr	This button is used to scan for a valid address.
Connect/Disconnect	These buttons are used to connect/disconnect the current selected device.
Voltage	This drop-down menu is used to select the voltage level of the communication when using PICKit™ Serial Analyzer.
Rate	This drop-down menu is used to select the corresponding communication rate for the device.
Pull Ups	This drop-down menu is used to activate the internal pull ups from the PICKit Serial Analyzer.

Note 1: Optional. PICKit Serial Analyzer should first be connected on the I²C pin header, on the MIC23656 Evaluation Board.

In the “Status and Control” bar the user can choose the hardware tool for the communication with the device and the settings it should allow.

In order to connect to a device, the user must follow the steps described in **Section 2.3 “Getting Started”**. After connecting the Micro-USB cable, the user must scan for a valid address. Once a valid address is detected, clicking the **Connect** button will initialize the connection with the device and the registers will be available for read and write operations.

4.2.5 I²C Generic Register View

The I²C Generic Register View area contains the items in [Table 4-2](#). This section of the I²C Monitor GUI is common for any device evaluated.

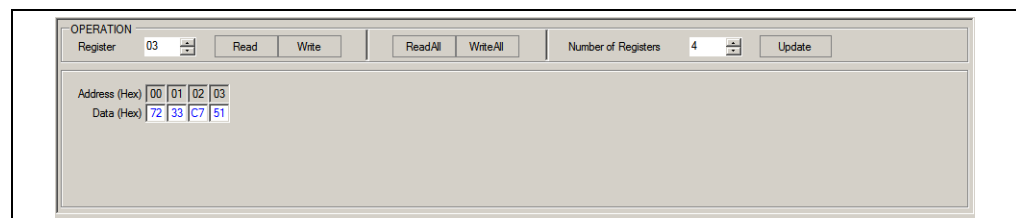


FIGURE 4-5: Generic Register View Area.

TABLE 4-2: I²C GENERIC REGISTER VIEW ITEMS

Panel	Item	Description
Operation	Register	This section shows the registers available for read/write operations.
	Read/Write	These buttons are used for single register read/write operations.
	ReadAll/WriteAll	These buttons are used for reading/writing all the available registers.
	Number of Registers	In this section, the user can set the number of available registers for read/write operations.
	Update	This button sets the number of available registers for read/write operations in the register area.
Register area		This section shows the current status of the registers address and their content.

The specific registers for MIC23656 are described in **Appendix C. “MIC23656 Internal Registers”**.

4.2.6 MIC23656 I²C Programmable Features

The MIC23656 I²C “Programmable Features” area contains the items in [Table 4-3](#).

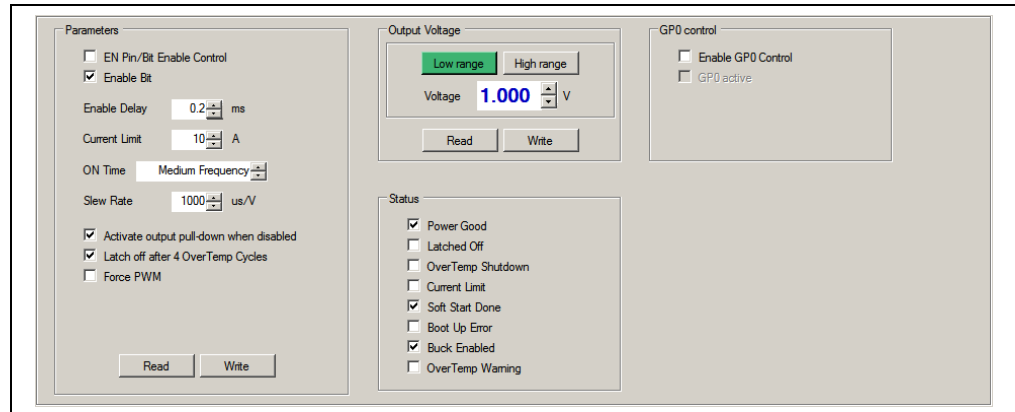


FIGURE 4-6: MIC23656 I²C Programmable Features Area (Low Range).

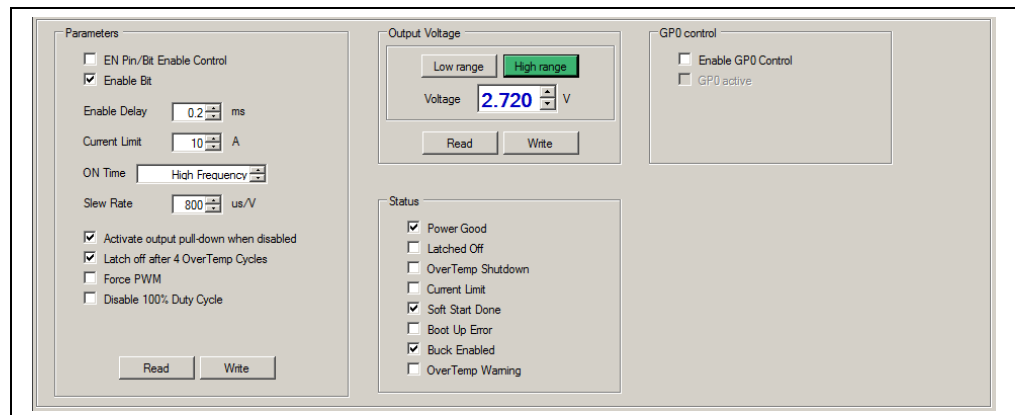


FIGURE 4-7: MIC23656 I²C Programmable Features Area (High Range).

TABLE 4-3: MIC23656 I²C Programmable Features

Panel/Button	Items	Description
Parameters	EN Pin/Bit Enable Control	This check box allows switching between the I ² C controlled device enable (checked) and pin controlled enable (unchecked). Leave this box unchecked to enable by jumper or MCP2221 GP0.
	Enable Bit	This check box sets the MIC23656 enable bit register. Check the box for regulator enabling, uncheck for disabling. This bit value is considered only if EN Pin/Bit Enable Control is checked.
	Enable Delay	This spin box allows setting the available start time delays.
	Current Limit	This spin box allows setting the available high-side current limits in order to obtain the nominal load currents.
	ON Time	This spin box allows setting the available ON-time values, that determine slower (high T _{ON}) or faster (lower T _{ON}) switching frequencies.
	Slew Rate	This spin box allows setting the available output slew rates.
	Activate output pull-down when disabled	This check box activates automatic output pull-down resistor when the MIC23656 is disabled.
	Latch off after 4 OverTemp Cycles	This check box sets the latch off after four overtemperature (thermal shutdown) cycles.
	Force PWM	This check box sets forced PWM mode, regardless of output loading.
	Disable 100% Duty Cycle	This check box disables 100% duty cycle operation on high side when V _{IN} is close to V _{OUT} . This feature is available only in High Range mode (option MIC23656-SAYFT).
	Read/Write	These buttons are used to read/write the registers that contain the information described above.
Output Voltage	Voltage	This spin box allows setting the available output voltages. If the evaluated chip option is MIC23656-YFT, MIC23656-HAYFT or MIC23656-FAYFT, the Low Range option must be selected. If the evaluated chip is MIC23656-SAYFT, High Range must be selected.
	Read/Write	These buttons are used to read/write the registers that contain the information described above.
GP0 control	Enable GP0 Control	This check box allows enable control from the MCP2221 GP0 pin. If unchecked, pin GP0 is Tri-State. To enable access to this feature and allow pin enable control, uncheck EN Pin/Bit Enable Control. The enable jumper must first be removed, to prevent short-circuiting GP0 with the jumper.
	GP0 active	This check box sets the state of MCP2221 GP0 pin. Leave unchecked to disable the MIC23656 through Enable pin, or check the box to enable the MIC23656 regulator.

This area of the GUI allows the user to modify the device features. For additional information on the part, refer to the data sheet.

4.2.7 MIC23656 I²C Diagnostic

The MIC23656 Diagnostic area contains the items in [Table 4-4](#).

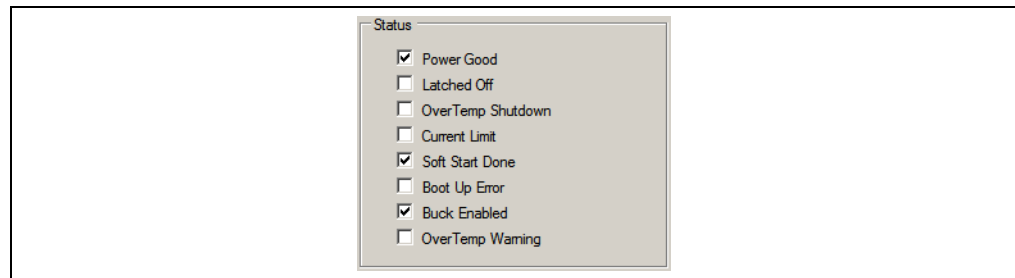


FIGURE 4-8: MIC23656 I²C Diagnostic Area.

TABLE 4-4: MIC23656 I²C DIAGNOSTIC AREA ITEMS

Panel	Items	Description
Status	Power Good	This box is checked if the output voltage reaches 91% of its set value.
	Latched Off	This box is checked if the regulator output is latched off, due to four consecutive hiccup events or thermal shutdown.
	OverTemp Shutdown	This box is checked if the MIC23656 enters Thermal Shutdown (Typ. T _J = +165°C)
	Current Limit	This box is checked if the high-side sensed current reaches the value set in the "Current Limit" spin box.
	Soft Start Done	This box is checked after successful regulator soft start ramp.
	Boot Up Error	This box is checked if an error occurs while loading the trim and configuration data into the digital core. At successful start-up, this box remains unchecked (clear).
	Buck Enabled	This box indicates the internal state of the regulator, determined by enable commands (via EN pin or I ² C)
	OverTemp Warning	This box is checked if the MIC23656 junction temperature exceeds +118°C. This does not affect the normal operation of the device.

The MIC23656 I²C Diagnostic area resumes the information contained in the STATUS register. The STATUS register contains latched (Flag) or non-latched (Status) bits. Flag bits are set when the corresponding Fault condition occurs and do not return to zero once the Fault condition ceases. If such a fault occurs, the user can clear the faults by toggling the enable function or power cycling the device. Status bits are set when the corresponding Fault condition has occurred, and return to zero automatically once the Fault condition has ceased. This information is refreshed once every two seconds.

Because of this refresh traffic, when using a logic analyzer it is more difficult to synchronize the exact moment of a certain command. In order to simplify this, an auxiliary trigger signal is provided on pin GP2 of the MCP2221. This signal is triggered for each user Read/Write command.

TABLE 4-5: STATUS BAR ITEMS

Item	Description
Status Label	The status label shows if there is any device connected to the board. Refer to Table 4-6 for a list of possible labels.
Progress Bar	This bar shows the level of completion for a given command.

TABLE 4-6: STATUS LABELS

Status Label	Description
STATUS: Connected!	This message is shown when the GUI connects to a device.
STATUS: Disconnected!	This message is shown when the GUI does not detect a connected device.

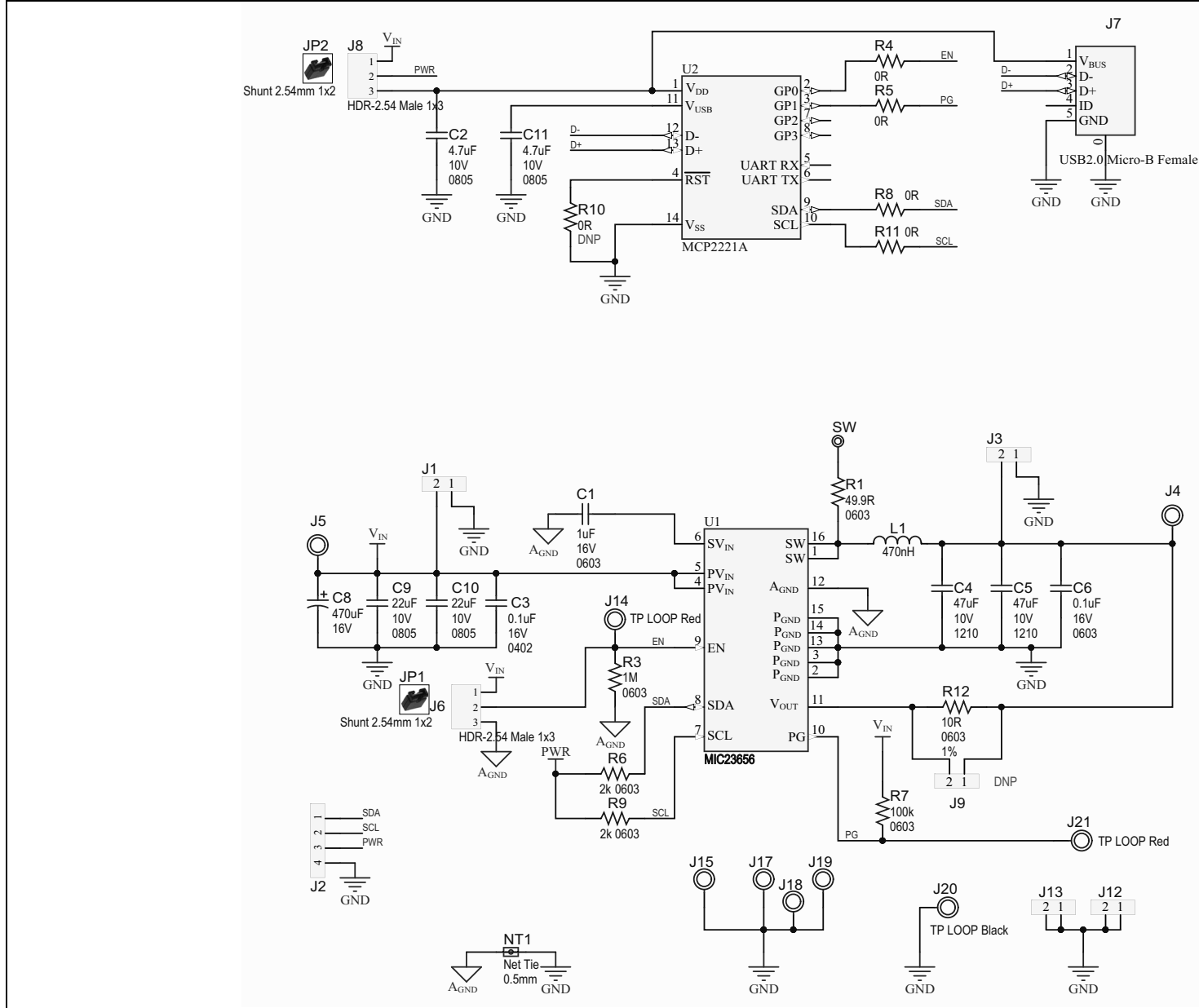
Appendix A. Schematic and Layouts

A.1 INTRODUCTION

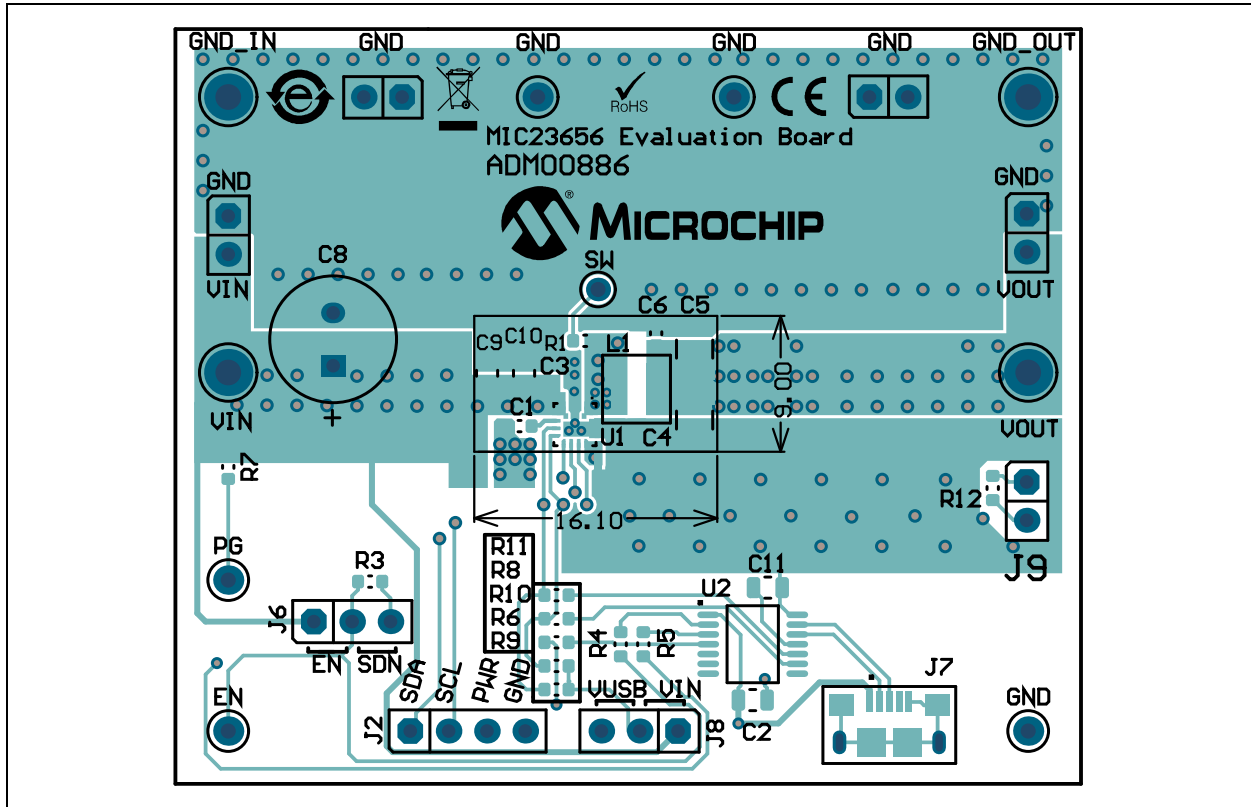
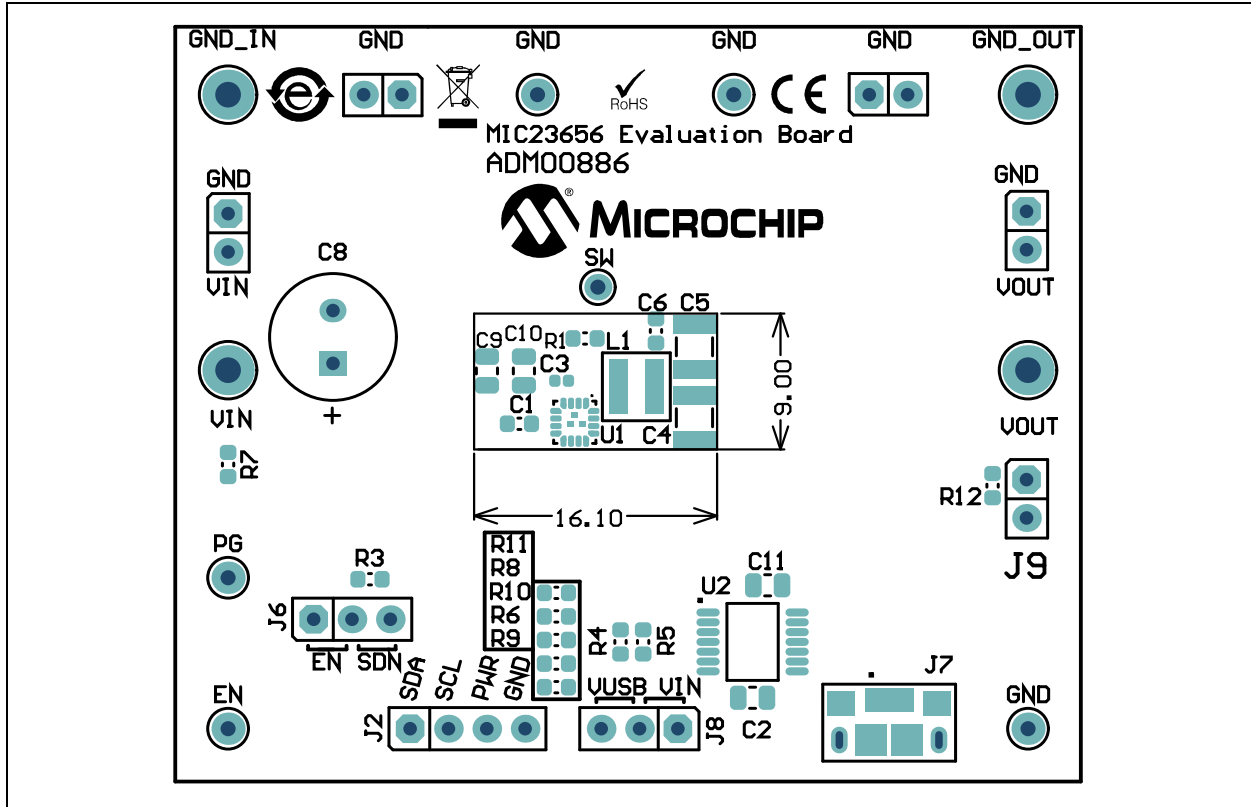
This appendix contains the following schematic and layouts for the MIC23656 Evaluation Board:

- [Board – Schematic](#)
- [Board – Top Silk](#)
- [Board – Top Copper and Silk](#)
- [Board – Top Copper](#)
- [Board – Bottom Copper](#)

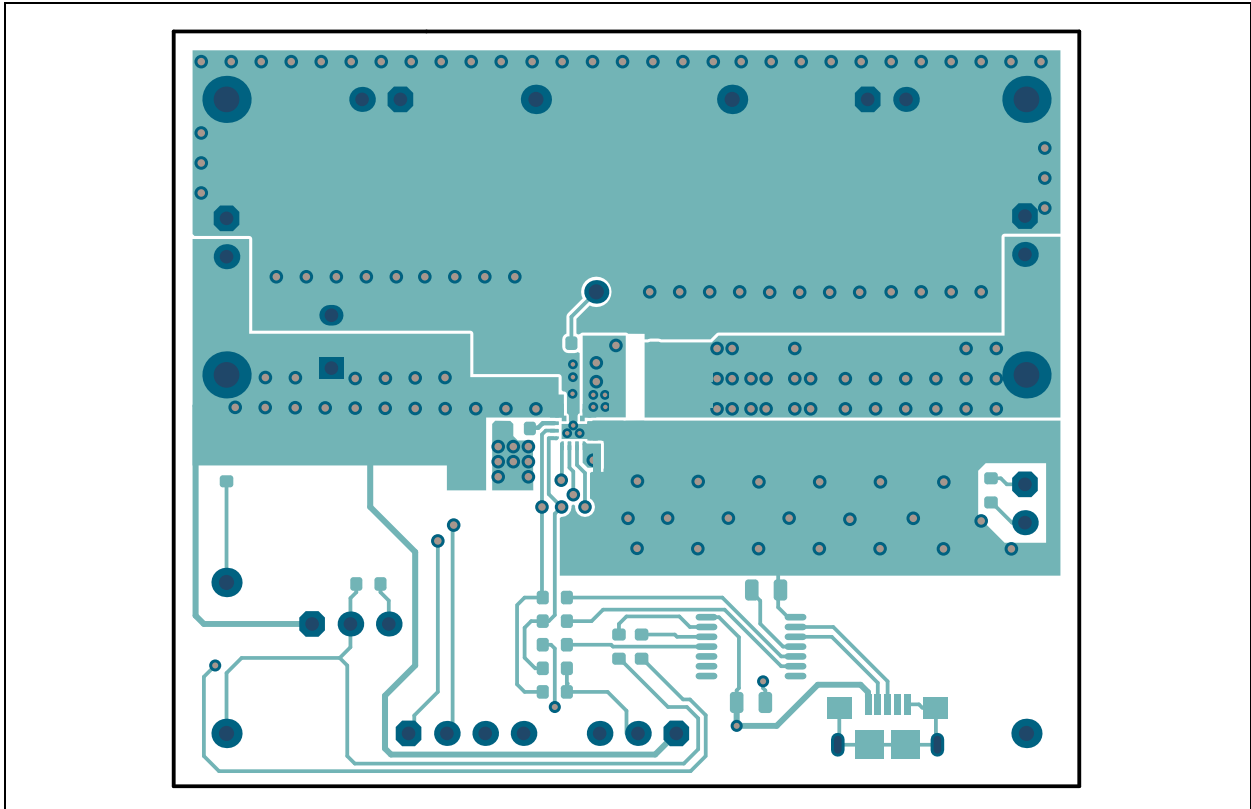
A.2 BOARD - SCHEMATIC



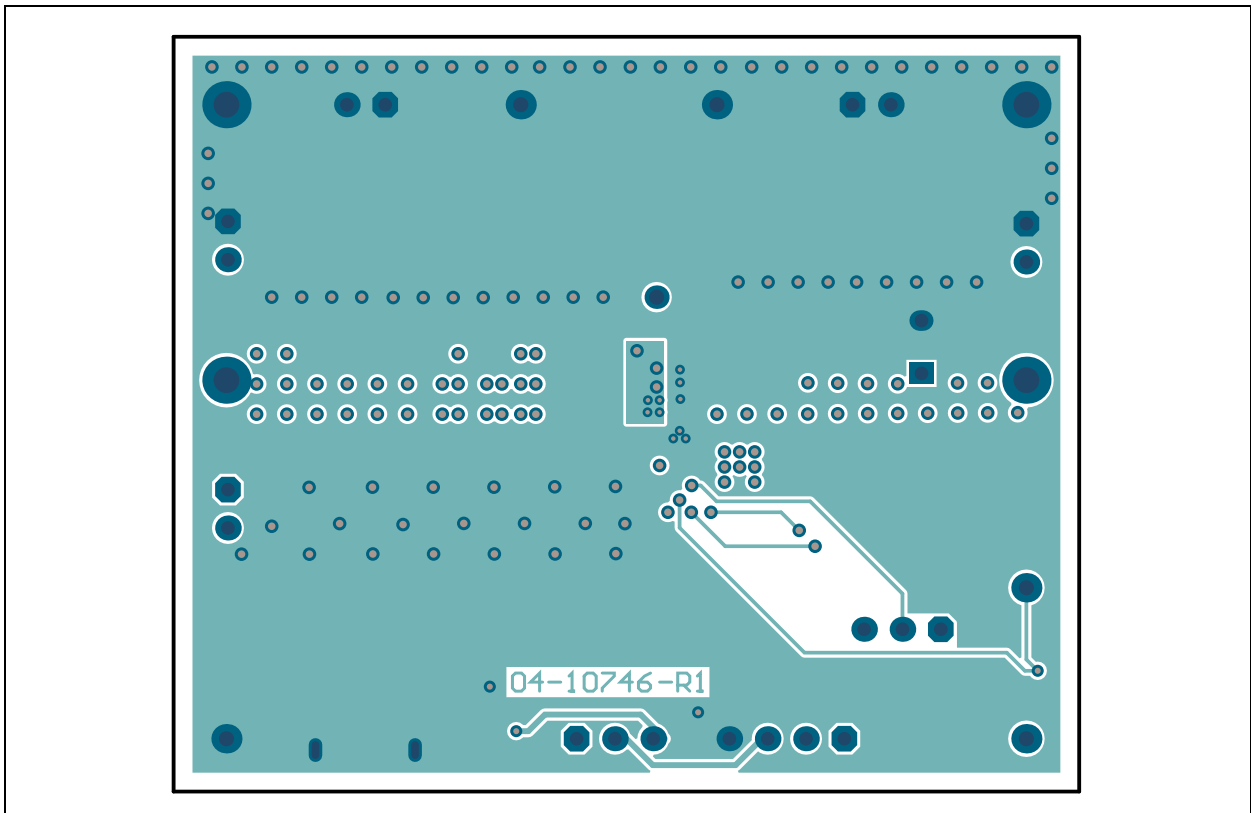
A.3 BOARD – TOP SILK



A.5 BOARD – TOP COPPER



A.6 BOARD – BOTTOM COPPER



Appendix B. Bill of Materials (BOM)

TABLE B-1: BILL OF MATERIALS (BOM)

Qty.	Reference	Description	Manufacturer	Part Number
1	C1	Capacitor Ceramic, 1 μ F, 16V, 10%, X7R, SMD, 0603	Yageo Corporation	CC0603KRX7R7BB105
2	C2, C11	Capacitor Ceramic, 4.7 μ F, 10V, 10%, X7R, SMD, 0805	TDK Corporation	C2012X7R1A475K125AC
1	C3	Capacitor Ceramic, 0.1 μ F, 16V, 10%, X7R, SMD, 0402	Murata Electronics®	GRM155R71C104KA88D
2	C4, C5	Capacitor Ceramic, 47 μ F, 10V, 20%, X7R, SMD, 1210	Taiyo Yuden Co., Ltd.	LMK325B7476MM-TR
1	C6	Capacitor Ceramic, 1 μ F, 16V, 10%, X7R, SMD, 0603	AVX Corporation	0603YC104KAT2A
1	C8	Capacitor Aluminium, 470 μ F, 16V, 20%, RAD, P3.5D8H11.5	Nichicon Corporation	UVZ1C471MPD
2	C9, C10	Capacitor Ceramic, 22 μ F, 10V, 20%, X7S, SMD, 0805	TDK Corporation	C2012X7S1A226M125AC
4	J1, J3, J12, J13	Connector Header, 2.54 Male, 1x2, Gold, 5.84 MH, TH, Vertical	FCI	77311-118-02LF
1	J2	Connector Header, 2.54 Male, 1x4, Tin, 5.84 MH, TH, Vertical	FCI	68002-404HLF
4	J4, J5, J15, J19	Connector TP PIN Tin TH	Harwin Plc.	H2121-01
2	J6, J8	Connector Header, 2.54 Male, 1x3, Tin, 5.84 MH, TH, Vertical	Samtec, Inc.	TSW-103-07-T-S
1	J7	Connector USB, 2.0 Micro-B Female, SMD, R/A	FCI	10118193-0001LF
1	J9	Connector Header, 2.54 Male, 1x2, Gold, 5.84 MH, TH, Vertical	FCI	77311-118-02LF
2	J14, J21	MISC, Test Point Multi Purpose Mini Red	Keystone Electronics Corp.	5000
3	J17, J18, J20	MISC, Test Point Multi Purpose Mini Black	Keystone Electronics Corp.	5001
2	JP1, JP2	MECH HW Jumper, 2.54 mm, 1x2	3M	969102-0000-DA
1	L1	Inductor, 470 nH, 12.3A, 20%, SMD, L4.0W4.0H3.1	Coilcraft	XEL4030-471
4	PAD1, PAD2, PAD3, PAD4	Mechanical HW Rubber PAD, Cylindrical, D7.9, H5.3, Black	3M	SJ61A11
1	PCB1	MIC23656 Evaluation Board Printed Circuit Board	Microchip Technology Inc.	04-10746-R1
1	R1	Resistor, TKF, 49.9R, 1%, 1/10W, SMD, 0603	Panasonic® - ECG	ERJ-3EKF49R9V

TABLE B-1: BILL OF MATERIALS (BOM) (CONTINUED)

Qty.	Reference	Description	Manufacturer	Part Number
1	R3	Resistor, TKF, 1M, 1%, 1/10W, SMD, 0603	Panasonic - ECG	ERJ-3EKF1004V
4	R4, R5, R8, R11	Resistor, TKF, 0R, 1/10W, SMD, 0603	Panasonic - ECG	ERJ-3GSY0R00V
2	R6, R9	Resistor, TKF, 2k, 1%, 1/10W, SMD, 0603	Panasonic - ECG	ERJ-3EKF2001V
1	R7	Resistor, TKF, 100k, 1%, 1/10W, SMD, 0603	Panasonic - ECG	ERJ-3EKF1003V
1	R10	Resistor, TKF, 0R, 1/10W, SMD, 0603	Panasonic - ECG	ERJ-3GSY0R00V
1	R12	Resistor, TKF, 10R, 1%, 1/10W, SMD, 0603	Panasonic - ECG	ERJ-3EKF10R0V
1	U1	Microchip Analog Switcher Buck, 2.4V to 5.5V, MIC23656-HAYFT FTQFN-16	Microchip Technology, Inc.	MIC23656-HAYFT
1	U2	Microchip Interface USB I ² C, UART, MCP2221-I/ST, TSSOP-14	Microchip Technology, Inc.	MCP2221-I/ST

Note 1: The components listed in this Bill of Materials are representative of the PCB assembly. The released BOM used in manufacturing uses all RoHS-compliant components.

Appendix C. MIC23656 Internal Registers

C.1 REGISTER MAP AND I²C PROGRAMMABILITY

The MIC23656 internal registers are summarized in [Table C-1](#).

TABLE C-1: MIC23656 REGISTER MAP

Address	Register Name							
0x00	Control Register (CTRL1)							
	TON<1:0>		ILIM<1:0>		EN_DELAY<1:0>		EN_INT	EN_CON
0x01	Output Control Register (CTRL2)							
	DIS_100PCT	FPWM	OT_LATCH	PULL_DN	SLEW_RATE<3:0>			
0x02	Output Voltage Register (VOOUT)							
	VO<7:0>							
0x03	STATUS and FAULT Register (FAULT)							
	OT_WARN	EN_STAT	BOOT_ERR	SSD	HICCUP	OT	LATCH_OFF	PG

REGISTER C-1: CTRL1 – CONTROL REGISTER (ADDRESS 0X00)

R/W-0	R/W-0	R/W-0	R/W-0	R/W-0	R/W-0	R/W-0	R/W-0
TON		ILIM		EN_DELAY		EN_INT	EN_CON
bit 7							bit 0

Legend:

R = Readable bit	W = Writable bit	U = Unimplemented bit, read as '0'
-n = Value at POR	'1' = Bit is set	'0' = Bit is cleared
RC = Read-then-clear bit	x = Bit is unknown	

- bit 7-6 **TON<7:6>**: ON Time
 - 00 = Low Frequency
 - 01 = Medium Frequency
 - 10 = High Frequency
 - 11 = Very Fast Frequency

- bit 5-4 **ILIM<5:4>**: High-Side Peak Current Limit
 - 00 = 4.5A
 - 01 = 6A
 - 10 = 8.5A
 - 11 = 10.0A

- bit 3-2 **EN_DELAY<3:2>**: Enable Delay
 - 00 = 250 μs
 - 01 = 1 ms
 - 10 = 2 ms
 - 11 = 3 ms

- bit 1 **EN_INT**: Enable Bit Register Control
 - 0 = Register Controlled
 - 1 = Enable Controlled

REGISTER C-1: CTRL1 – CONTROL REGISTER (ADDRESS 0X00) (CONTINUED)

bit 0 **EN_CON:** Enable Control
 0 = Off
 1 = On

REGISTER C-2: CTRL2 – OUTPUT CONTROL REGISTER (ADDRESS 0X01)

R/W-0	R/W-0	R/W-0	R/W-0	R/W-0	R/W-0	R/W-0	R/W-0
DIS_100PCT	FPWM	OT_LATCH	PULLDN	SLEW_RATE			
bit 7							bit 0

Legend:

R = Readable bit W = Writable bit U = Unimplemented bit, read as '0'
 -n = Value at POR '1' = Bit is set '0' = Bit is cleared x = Bit is unknown
 RC = Read-then-clear bit

bit 7 **DIS_100PCT:** Disable 100% Duty Cycle
 0 = 100% DC
 1 = Disable 100% DC

bit 6 **FPWM:** Force PWM
 0 = HLL
 1 = FPWM

bit 5 **OT_LATCH:** Overtemperature Latch
 0 = Latch Off Immediately
 1 = Latch Off after 4 OT Cycles

bit 4 **PULLDN:** Enable/Disable Regulator Pull-Down When Power Down
 0 = No Pull Down
 1 = Pull Down

bit 3-0 **SLEW_RATE<3:0>:** Step Slew-Rate Time in μ s/V
 0000 = 200
 0001 = 400
 0010 = 600
 0011 = 800
 0100 = 1000
 0101 = 1200
 0110 = 1400
 0111 = 1600
 1000 = 1800
 1001 = 2000
 1010 = 2200
 1011 = 2400
 1100 = 2600
 1101 = 2800
 1110 = 3000
 1111 = 3200

REGISTER C-3: OUTPUT VOLTAGE CONTROL REGISTER (ADDRESS 0X02)

R/W-0	R/W-0	R/W-0	R/W-0	R/W-0	R/W-0	R/W-0	R/W-0
VO							
bit 7							bit 0

Legend:

R = Readable bit W = Writable bit U = Unimplemented bit, read as '0'
 -n = Value at POR '1' = Bit is set '0' = Bit is cleared x = Bit is unknown
 RC = Read-then-clear bit

bit 7-0

VO<7:0>: Output Voltage Control, options YFT, --HAYFT, -FAYFT

0x00-0x76 = 0.6V	0x80 = 0.645	0xA0 = 0.805V	0xC0 = 0.965	0xE0 = 1.125V
	0x81 = 0.65V	0xA1 = 0.81V	0xC1 = 0.97V	0xE1 = 1.13V
	0x82 = 0.655V	0xA2 = 0.815V	0xC2 = 0.975V	0xE2 = 1.135V
	0x83 = 0.66V	0xA3 = 0.82V	0xC3 = 0.98V	0xE3 = 1.14V
	0x84 = 0.665V	0xA4 = 0.825V	0xC4 = 0.985V	0xE4 = 1.145V
	0x85 = 0.67V	0xA5 = 0.83V	0xC5 = 0.99V	0xE5 = 1.15V
	0x86 = 0.675V	0xA6 = 0.835V	0xC6 = 0.995V	0xE6 = 1.155V
	0x87 = 0.68V	0xA7 = 0.84V	0xC7 = 1V	0xE7 = 1.16V
	0x88 = 0.685V	0xA8 = 0.845V	0xC8 = 1.005V	0xE8 = 1.165V
	0x89 = 0.69V	0xA9 = 0.85V	0xC9 = 1.01V	0xE9 = 1.17V
	0x8A = 0.695V	0xAA = 0.855V	0xCA = 1.015V	0xEA = 1.175V
	0x8B = 0.7V	0xAB = 0.86V	0xCB = 1.02V	0xEB = 1.18V
	0x8C = 0.705V	0xAC = 0.865V	0xCC = 1.025V	0xEC = 1.185V
	0x8D = 0.71V	0xAD = 0.87V	0xCD = 1.03V	0xED = 1.19V
	0x8E = 0.715V	0xAE = 0.875V	0xCE = 1.035V	0xEE = 1.195V
	0x8F = 0.72V	0xAF = 0.88V	0xCF = 1.04V	0xEF = 1.2V
	0x90 = 0.725V	0xB0 = 0.885V	0xD0 = 1.045V	0xF0 = 1.205V
0x91 = 0.73V	0xB1 = 0.89V	0xD1 = 1.05V	0xF1 = 1.21V	
0x92 = 0.735V	0xB2 = 0.895V	0xD2 = 1.055V	0xF2 = 1.215V	
0x93 = 0.74V	0xB3 = 0.9V	0xD3 = 1.06V	0xF3 = 1.22V	
0x94 = 0.745V	0xB4 = 0.905V	0xD4 = 1.065V	0xF4 = 1.225V	
0x95 = 0.75V	0xB5 = 0.91V	0xD5 = 1.07V	0xF5 = 1.23V	
0x96 = 0.755V	0xB6 = 0.915V	0xD6 = 1.075V	0xF6 = 1.235V	
0x77 = 0.6V	0x97 = 0.76V	0xB7 = 0.92V	0xD7 = 1.08V	0xF7 = 1.24V
0x78 = 0.605V	0x98 = 0.765V	0xB8 = 0.925V	0xD8 = 1.085V	0xF8 = 1.245V
0x79 = 0.61V	0x99 = 0.77V	0xB9 = 0.93V	0xD9 = 1.09V	0xF9 = 1.25V
0x7A = 0.615V	0x9A = 0.775V	0xBA = 0.935V	0xDA = 1.095V	0xFA = 1.255V
0x7B = 0.62V	0x9B = 0.78V	0xBB = 0.94V	0xDB = 1.1V	0xFB = 1.26V
0x7C = 0.625V	0x9C = 0.785V	0xBC = 0.945V	0xDC = 1.105V	0xFC = 1.265V
0x7D = 0.63V	0x9D = 0.79V	0xBD = 0.95V	0xDD = 1.11V	0xFD = 1.27V
0x7E = 0.635V	0x9E = 0.795V	0xBE = 0.955V	0xDE = 1.115V	0xFE = 1.275V
0x7F = 0.64V	0x9F = 0.8V	0xBF = 0.96V	0xDF = 1.12V	0xFF = 1.28V

REGISTER C-3: OUTPUT VOLTAGE CONTROL REGISTER (ADDRESS 0X02) (CONTINUED)

bit 7-0

VO<7:0>: Output Voltage Control, option -SAYFT

0x00-0x3B = 0.6V	0x40 = 0.65V	0x60 = 0.97V	0x80 = 1.3V	0xA0 = 1.94V	0xC0 = 2.58V	0xE0 = 3.22V
	0x41 = 0.66V	0x61 = 0.98V	0x81 = 1.32V	0xA1 = 1.96V	0xC1 = 2.6V	0xE1 = 3.24V
	0x42 = 0.67V	0x62 = 0.99V	0x82 = 1.34V	0xA2 = 1.98V	0xC2 = 2.62V	0xE2 = 3.26V
	0x43 = 0.68V	0x63 = 1V	0x83 = 1.36V	0xA3 = 2V	0xC3 = 2.64V	0xE3 = 3.28V
	0x44 = 0.69V	0x64 = 1.01V	0x84 = 1.38V	0xA4 = 2.02V	0xC4 = 2.66V	0xE4 = 3.3V
	0x45 = 0.7V	0x65 = 1.02V	0x85 = 1.4V	0xA5 = 2.04V	0xC5 = 2.68V	0xE5 = 3.32V
	0x46 = 0.71V	0x66 = 1.03V	0x86 = 1.42V	0xA6 = 2.06V	0xC6 = 2.7V	0xE6 = 3.34V
	0x47 = 0.72V	0x67 = 1.04V	0x87 = 1.44V	0xA7 = 2.08V	0xC7 = 2.72V	0xE7 = 3.36V
	0x48 = 0.73V	0x68 = 1.05V	0x88 = 1.46V	0xA8 = 2.1V	0xC8 = 2.74V	0xE8 = 3.38V
	0x49 = 0.74V	0x69 = 1.06V	0x89 = 1.48V	0xA9 = 2.12V	0xC9 = 2.76V	0xE9 = 3.4V
	0x4A = 0.75V	0x6A = 1.07V	0x8A = 1.5V	0xAA = 2.14V	0xCA = 2.78V	0xEA = 3.42V
	0x4B = 0.76V	0x6B = 1.08V	0x8B = 1.52V	0xAB = 2.16V	0xCB = 2.8V	0xEB = 3.44V
	0x4C = 0.77V	0x6C = 1.09V	0x8C = 1.54V	0xAC = 2.18V	0xCC = 2.82V	0xEC = 3.46V
	0x4D = 0.78V	0x6D = 1.1V	0x8D = 1.56V	0xAD = 2.2V	0xCD = 2.84V	0xED = 3.48V
	0x4E = 0.79V	0x6E = 1.11V	0x8E = 1.58V	0xAE = 2.22V	0xCE = 2.86V	0xEE = 3.5V
	0x4F = 0.8V	0x6F = 1.12V	0x8F = 1.6V	0xAF = 2.24V	0xCF = 2.88V	0xEF = 3.52V
	0x50 = 0.81V	0x70 = 1.13V	0x90 = 1.62V	0xB0 = 2.26V	0xD0 = 2.9V	0xF0 = 3.54V
	0x51 = 0.82V	0x71 = 1.14V	0x91 = 1.64V	0xB1 = 2.28V	0xD1 = 2.92V	0xF1 = 3.56V
	0x52 = 0.83V	0x72 = 1.15V	0x92 = 1.66V	0xB2 = 2.3V	0xD2 = 2.94V	0xF2 = 3.58V
	0x53 = 0.84V	0x73 = 1.16V	0x93 = 1.68V	0xB3 = 2.32V	0xD3 = 2.96V	0xF3 = 3.6V
0x54 = 0.85V	0x74 = 1.17V	0x94 = 1.7V	0xB4 = 2.34V	0xD4 = 2.98V	0xF4 = 3.62V	
0x55 = 0.86V	0x75 = 1.18V	0x95 = 1.72V	0xB5 = 2.36V	0xD5 = 3V	0xF5 = 3.64V	
0x56 = 0.87V	0x76 = 1.19V	0x96 = 1.74V	0xB6 = 2.38V	0xD6 = 3.02V	0xF6 = 3.66V	
0x57 = 0.88V	0x77 = 1.2V	0x97 = 1.76V	0xB7 = 2.4V	0xD7 = 3.04V	0xF7 = 3.68V	
0x58 = 0.89V	0x78 = 1.21V	0x98 = 1.78V	0xB8 = 2.42V	0xD8 = 3.06V	0xF8 = 3.7V	
0x59 = 0.9V	0x79 = 1.22V	0x99 = 1.8V	0xB9 = 2.44V	0xD9 = 3.08V	0xF9 = 3.72V	
0x5A = 0.91V	0x7A = 1.23V	0x9A = 1.82V	0xBA = 2.46V	0xDA = 3.1V	0xFA = 3.74V	
0x3B = 0.6V	0x5B = 0.92V	0x7B = 1.24V	0x9B = 1.84V	0xBB = 2.48V	0xDB = 3.12V	0xFB = 3.76V
0x3C = 0.61V	0x5C = 0.93V	0x7C = 1.25V	0x9C = 1.86V	0xBC = 2.5V	0xDC = 3.14V	0xFC = 3.78V
0x3D = 0.62V	0x5D = 0.94V	0x7D = 1.26V	0x9D = 1.88V	0xBD = 2.52V	0xDD = 3.16V	0xFD = 3.8V
0x3E = 0.63V	0x5E = 0.95V	0x7E = 1.27V	0x9E = 1.9V	0xBE = 2.54V	0xDE = 3.18V	0xFE = 3.82V
0x3F = 0.64V	0x5F = 0.96V	0x7F = 1.28V	0x9F = 1.92V	0xBF = 2.56V	0xDF = 3.2V	0xFF = 3.84V

REGISTER C-4: STATUS AND FAULT REGISTER (ADDRESS 0X03)

R-0	R-0	R-0	R-0	R-0	R-0	R-0	R-0
OT_WARN	EN_STAT	BOOT_ERR	SSD	HICCUP	OT	LATCH_OFF	PG
bit 7							bit 0

Legend:

R = Readable bit

W = Writable bit

U = Unimplemented bit, read as '0'

-n = Value at POR

'1' = Bit is set

'0' = Bit is cleared

x = Bit is unknown

RC = Read-then-clear bit

- bit 7 **OT_WARN:** Overtemperature Warning
0 = No Fault
1 = Fault
- bit 6 **EN_STAT:** Buck ON/OFF Control
0 = OFF
1 = ON
- bit 5 **BOOT_ERR:** Boot Up Error
0 = No Fault
1 = Fault
- bit 4 **SSD:** Soft Start Done.
0 = Ramp not Done
1 = Ramp Done
- bit 3 **HICCUP:** Current Limit Hiccup
0 = Not in Hiccup
1 = In Hiccup
- bit 2 **OT:** Overtemperature.
0 = No Fault
1 = Fault
- bit 1 **LATCH_OFF:** Overcurrent or Overtemperature Output Latch Off
0 = No Fault
1 = Fault
- bit 0 **PG:** Power Good
0 = Power Not Good
1 = Power Good



MICROCHIP

Worldwide Sales and Service

AMERICAS

Corporate Office
2355 West Chandler Blvd.
Chandler, AZ 85224-6199
Tel: 480-792-7200
Fax: 480-792-7277
Technical Support:
<http://www.microchip.com/support>
Web Address:
www.microchip.com

Atlanta

Duluth, GA
Tel: 678-957-9614
Fax: 678-957-1455

Austin, TX

Tel: 512-257-3370

Boston

Westborough, MA
Tel: 774-760-0087
Fax: 774-760-0088

Chicago

Itasca, IL
Tel: 630-285-0071
Fax: 630-285-0075

Dallas

Addison, TX
Tel: 972-818-7423
Fax: 972-818-2924

Detroit

Novi, MI
Tel: 248-848-4000

Houston, TX

Tel: 281-894-5983

Indianapolis

Noblesville, IN
Tel: 317-773-8323
Fax: 317-773-5453
Tel: 317-536-2380

Los Angeles

Mission Viejo, CA
Tel: 949-462-9523
Fax: 949-462-9608
Tel: 951-273-7800

Raleigh, NC

Tel: 919-844-7510

New York, NY

Tel: 631-435-6000

San Jose, CA

Tel: 408-735-9110
Tel: 408-436-4270

Canada - Toronto

Tel: 905-695-1980
Fax: 905-695-2078

ASIA/PACIFIC

Australia - Sydney
Tel: 61-2-9868-6733

China - Beijing
Tel: 86-10-8569-7000

China - Chengdu
Tel: 86-28-8665-5511

China - Chongqing
Tel: 86-23-8980-9588

China - Dongguan
Tel: 86-769-8702-9880

China - Guangzhou
Tel: 86-20-8755-8029

China - Hangzhou
Tel: 86-571-8792-8115

China - Hong Kong SAR
Tel: 852-2943-5100

China - Nanjing
Tel: 86-25-8473-2460

China - Qingdao
Tel: 86-532-8502-7355

China - Shanghai
Tel: 86-21-3326-8000

China - Shenyang
Tel: 86-24-2334-2829

China - Shenzhen
Tel: 86-755-8864-2200

China - Suzhou
Tel: 86-186-6233-1526

China - Wuhan
Tel: 86-27-5980-5300

China - Xian
Tel: 86-29-8833-7252

China - Xiamen
Tel: 86-592-2388138

China - Zhuhai
Tel: 86-756-3210040

ASIA/PACIFIC

India - Bangalore
Tel: 91-80-3090-4444

India - New Delhi
Tel: 91-11-4160-8631

India - Pune
Tel: 91-20-4121-0141

Japan - Osaka
Tel: 81-6-6152-7160

Japan - Tokyo
Tel: 81-3-6880-3770

Korea - Daegu
Tel: 82-53-744-4301

Korea - Seoul
Tel: 82-2-554-7200

Malaysia - Kuala Lumpur
Tel: 60-3-7651-7906

Malaysia - Penang
Tel: 60-4-227-8870

Philippines - Manila
Tel: 63-2-634-9065

Singapore
Tel: 65-6334-8870

Taiwan - Hsin Chu
Tel: 886-3-577-8366

Taiwan - Kaohsiung
Tel: 886-7-213-7830

Taiwan - Taipei
Tel: 886-2-2508-8600

Thailand - Bangkok
Tel: 66-2-694-1351

Vietnam - Ho Chi Minh
Tel: 84-28-5448-2100

EUROPE

Austria - Wels
Tel: 43-7242-2244-39
Fax: 43-7242-2244-393

Denmark - Copenhagen
Tel: 45-4450-2828
Fax: 45-4485-2829

Finland - Espoo
Tel: 358-9-4520-820

France - Paris
Tel: 33-1-69-53-63-20
Fax: 33-1-69-30-90-79

Germany - Garching
Tel: 49-8931-9700

Germany - Haan
Tel: 49-2129-3766400

Germany - Heilbronn
Tel: 49-7131-67-3636

Germany - Karlsruhe
Tel: 49-721-625370

Germany - Munich
Tel: 49-89-627-144-0
Fax: 49-89-627-144-44

Germany - Rosenheim
Tel: 49-8031-354-560

Israel - Ra'anana
Tel: 972-9-744-7705

Italy - Milan
Tel: 39-0331-742611
Fax: 39-0331-466781

Italy - Padova
Tel: 39-049-7625286

Netherlands - Drunen
Tel: 31-416-690399
Fax: 31-416-690340

Norway - Trondheim
Tel: 47-7288-4388

Poland - Warsaw
Tel: 48-22-3325737

Romania - Bucharest
Tel: 40-21-407-87-50

Spain - Madrid
Tel: 34-91-708-08-90
Fax: 34-91-708-08-91

Sweden - Gothenberg
Tel: 46-31-704-60-40

Sweden - Stockholm
Tel: 46-8-5090-4654

UK - Wokingham
Tel: 44-118-921-5800
Fax: 44-118-921-5820

X-ON Electronics

Largest Supplier of Electrical and Electronic Components

Click to view similar products for [Power Management IC Development Tools](#) category:

Click to view products by [Microchip](#) manufacturer:

Other Similar products are found below :

[EVB-EP5348UI](#) [MIC23451-AAAYFL EV](#) [MIC5281YMME EV](#) [124352-HMC860LP3E](#) [DA9063-EVAL](#) [ADP122-3.3-EVALZ](#) [ADP130-0.8-EVALZ](#) [ADP130-1.8-EVALZ](#) [ADP1740-1.5-EVALZ](#) [ADP1870-0.3-EVALZ](#) [ADP1874-0.3-EVALZ](#) [ADP199CB-EVALZ](#) [ADP2102-1.25-EVALZ](#) [ADP2102-1.875EVALZ](#) [ADP2102-1.8-EVALZ](#) [ADP2102-2-EVALZ](#) [ADP2102-3-EVALZ](#) [ADP2102-4-EVALZ](#) [AS3606-DB](#) [BQ25010EVM](#) [BQ3055EVM](#) [ISLUSBI2CKIT1Z](#) [LP38512TS-1.8EV](#) [EVAL-ADM1186-1MBZ](#) [EVAL-ADM1186-2MBZ](#) [ADP122UJZ-REDYKIT](#) [ADP166Z-REDYKIT](#) [ADP170-1.8-EVALZ](#) [ADP171-EVALZ](#) [ADP1853-EVALZ](#) [ADP1873-0.3-EVALZ](#) [ADP198CP-EVALZ](#) [ADP2102-1.0-EVALZ](#) [ADP2102-1-EVALZ](#) [ADP2107-1.8-EVALZ](#) [ADP5020CP-EVALZ](#) [CC-ACC-DBMX-51](#) [ATPL230A-EK](#) [MIC23250-S4YMT EV](#) [MIC26603YJL EV](#) [MIC33050-SYHL EV](#) [TPS60100EVM-131](#) [TPS65010EVM-230](#) [TPS71933-28EVM-213](#) [TPS72728YFFEVM-407](#) [TPS79318YEQEVM](#) [UCC28810EVM-002](#) [XILINXPWR-083](#) [LMR22007YMINI-EVM](#) [LP38501ATJ-EV](#)