



Table of Contents

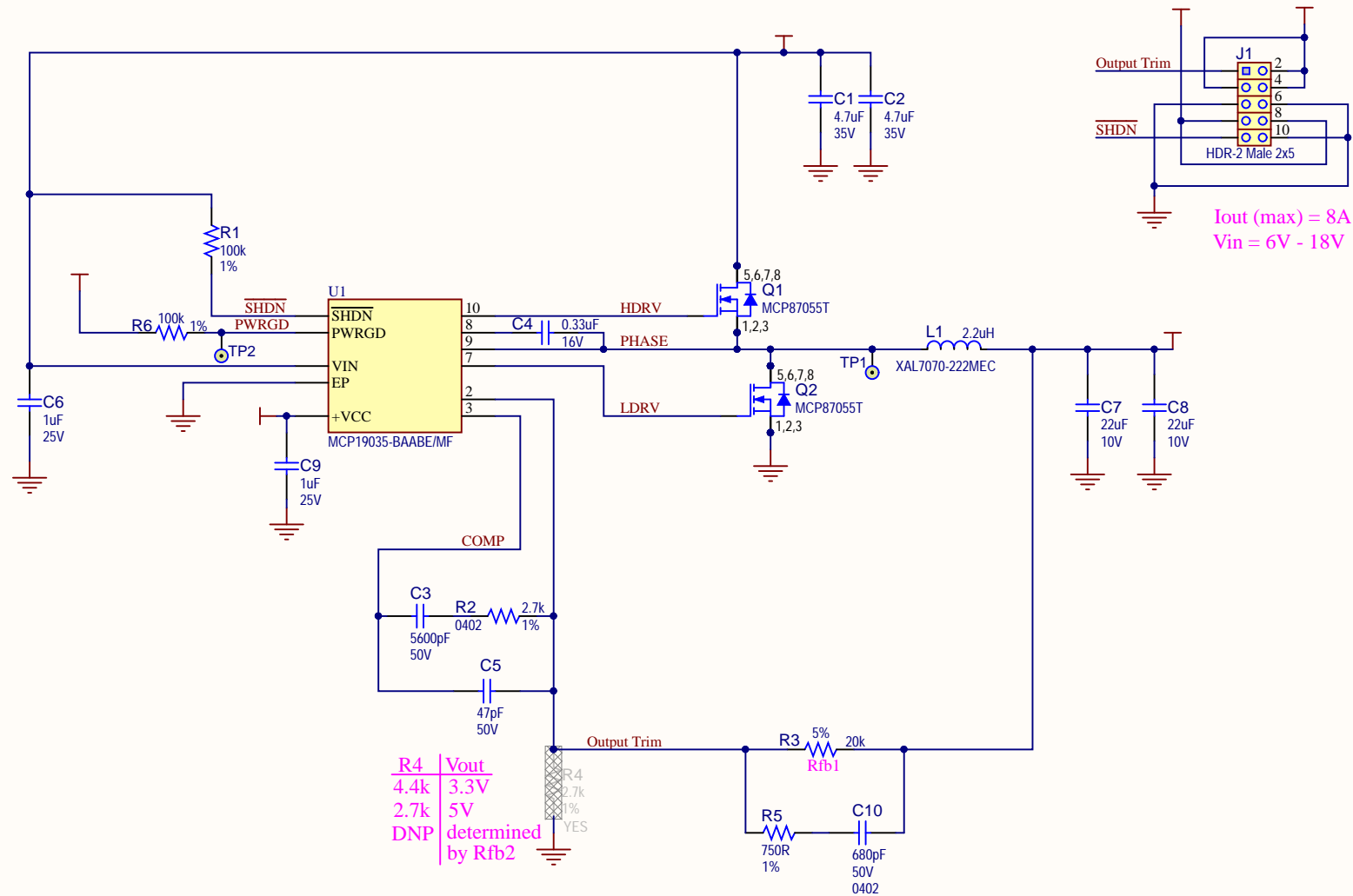
Sheet	Description
1	TOC
2	MCP19035

Revision History

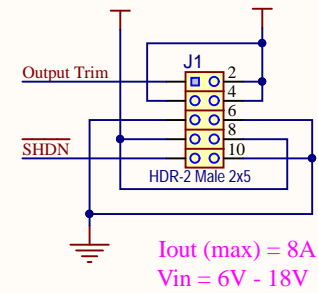
Revision	Date	Revision Summary	Author
00B	20180125	Initial release	Jennifer Hancock
B	20180129	Final release (includes feedback requests from schematic review)	Jennifer Hancock
C	20180625	Changed 1x5 header to 2x5, changed Vin caps to 4.7F and Vout caps to 22uF (1206) and VCC cap to 1uF.	Jennifer Hancock

Drawn By: Jennifer Hancock		
Engineer: Jennifer Hancock		
PartNumber: ADM00987	Project Title MCP19035 Power Module 8A Evaluation Board	
Sheet Title MCP19035 PM8 module_TOC		 <small>Designed with</small> <small>Altium.com</small>
Size B	Sch #:03-10880 Revision: 1	Date: 8/23/2018 3:15:23 PM Sheet 1 of 2
File: MCP19035 PM8 module_TOC.SchDoc		

REV	ECO#	DESCRIPTION	DATE



R4	Vout
4.4k	3.3V
2.7k	5V
DNP	determined by Rfb2



Output Trim

External Trim Resistor Rfb2

Vout

$$R_{fb2} = \frac{V_{ref} \times R_{fb1}}{V_{out} - V_{ref}} = \frac{12k}{V_{out} - 0.6V}$$

Iout (max) = 8A
Vin = 6V - 18V

Drawn By: Jennifer Hancock	
Engineer: Jennifer Hancock	
PartNumber: ADM00987	Project Title MCP19035 Power Module 8A Evaluation Board
Sheet Title MCP19035 PM8 module_REG	<i>Designed with</i> Altium
Size B	Sch #:03-10880 Date: 8/23/2018 3:15:24 PM
	Revision: 1 Sheet 2 of 2
File: MCP19035 PM8 module_REG.SchDoc	

X-ON Electronics

Largest Supplier of Electrical and Electronic Components

Click to view similar products for [Power Management IC Development Tools](#) category:

Click to view products by [Microchip](#) manufacturer:

Other Similar products are found below :

[EVB-EP5348UI](#) [MIC23451-AAAYFL EV](#) [MIC5281YMME EV](#) [124352-HMC860LP3E](#) [DA9063-EVAL](#) [ADP122-3.3-EVALZ](#) [ADP130-0.8-EVALZ](#) [ADP130-1.8-EVALZ](#) [ADP1740-1.5-EVALZ](#) [ADP1870-0.3-EVALZ](#) [ADP1874-0.3-EVALZ](#) [ADP199CB-EVALZ](#) [ADP2102-1.25-EVALZ](#) [ADP2102-1.875EVALZ](#) [ADP2102-1.8-EVALZ](#) [ADP2102-2-EVALZ](#) [ADP2102-3-EVALZ](#) [ADP2102-4-EVALZ](#) [AS3606-DB](#) [BQ25010EVM](#) [BQ3055EVM](#) [ISLUSBI2CKIT1Z](#) [LP38512TS-1.8EV](#) [EVAL-ADM1186-1MBZ](#) [EVAL-ADM1186-2MBZ](#) [ADP122UJZ-REDYKIT](#) [ADP166Z-REDYKIT](#) [ADP170-1.8-EVALZ](#) [ADP171-EVALZ](#) [ADP1853-EVALZ](#) [ADP1873-0.3-EVALZ](#) [ADP198CP-EVALZ](#) [ADP2102-1.0-EVALZ](#) [ADP2102-1-EVALZ](#) [ADP2107-1.8-EVALZ](#) [ADP5020CP-EVALZ](#) [CC-ACC-DBMX-51](#) [ATPL230A-EK](#) [MIC23250-S4YMT EV](#) [MIC26603YJL EV](#) [MIC33050-SYHL EV](#) [TPS60100EVM-131](#) [TPS65010EVM-230](#) [TPS71933-28EVM-213](#) [TPS72728YFFEVM-407](#) [TPS79318YEQEVM](#) [UCC28810EVM-002](#) [XILINXPWR-083](#) [LMR22007YMINI-EVM](#) [LP38501ATJ-EV](#)