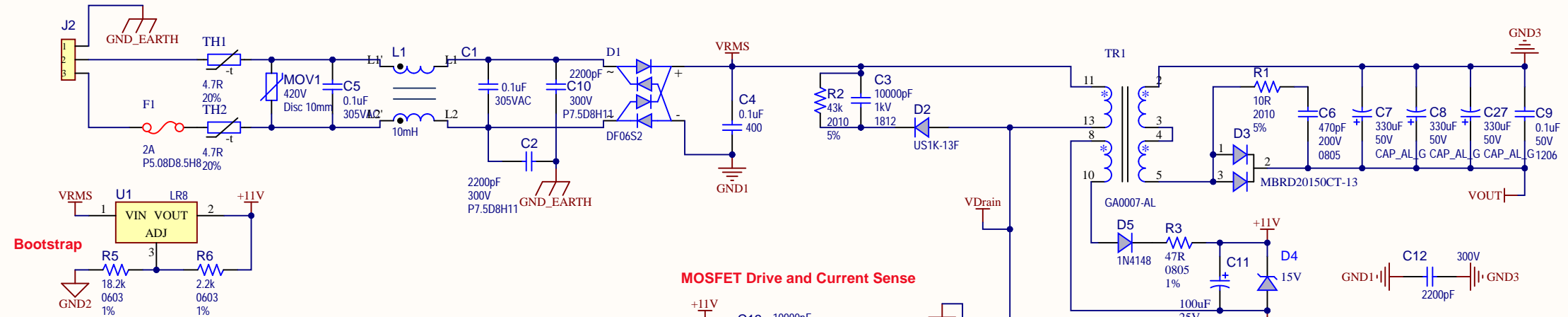
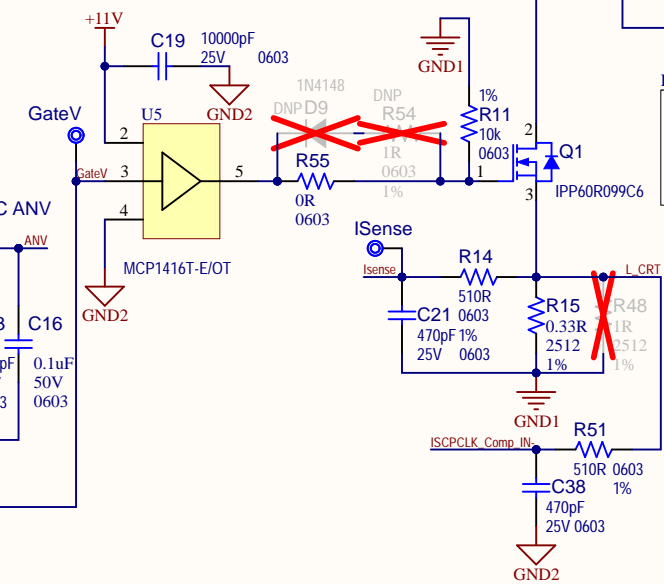


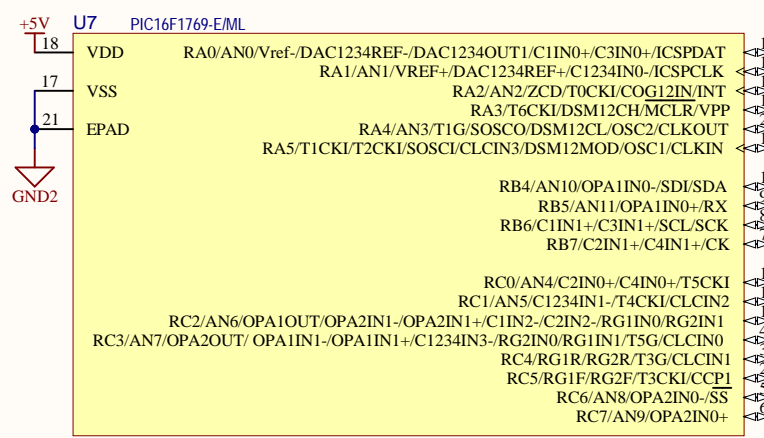
POWER STAGE



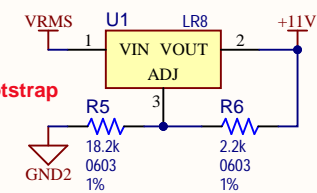
MOSFET Drive and Current Sense



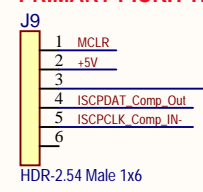
Primary Controller Unit (Flyback)



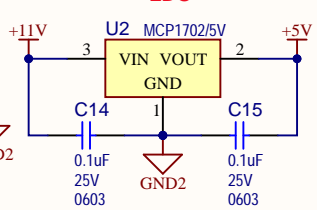
Bootstrap



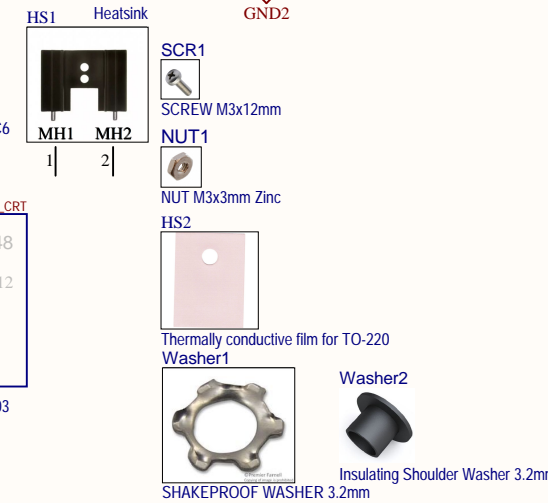
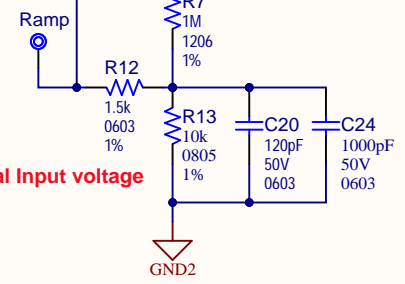
PRIMARY PICKIT HEADER



LDO



Proportional Input voltage



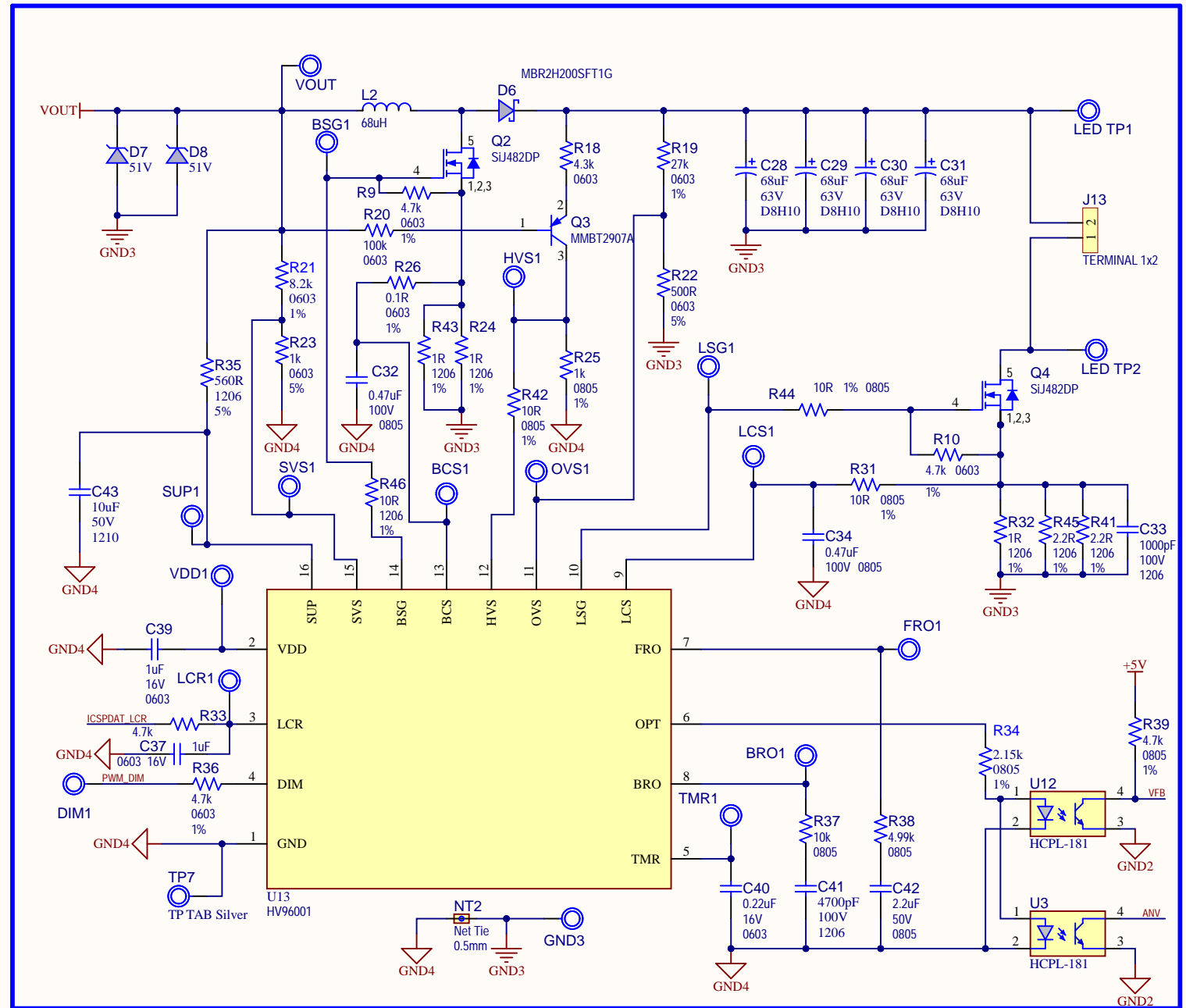
GND1 = Primary side Power ground
 GND2 = Primary side Signal ground
 GND3 = Secondary side Power ground
 GND4 = Secondary side Signal ground

| | | |
|------------------------------|--|--|
| Drawn By: Stroe Octavian | | |
| Engineer: Sergiu Gheorghe | | |
| PartNumber: ADM01030 | Project Title HV96001 Deep Dimming LED Driver EVB | |
| Sheet Title ** | | |
| Size B | Sch #03-10923 Revision:3.2 | Date: 1/7/2020 12:11:47 PM Sheet * of * |
| File: Flyback PIC_F.SchDoc | | |

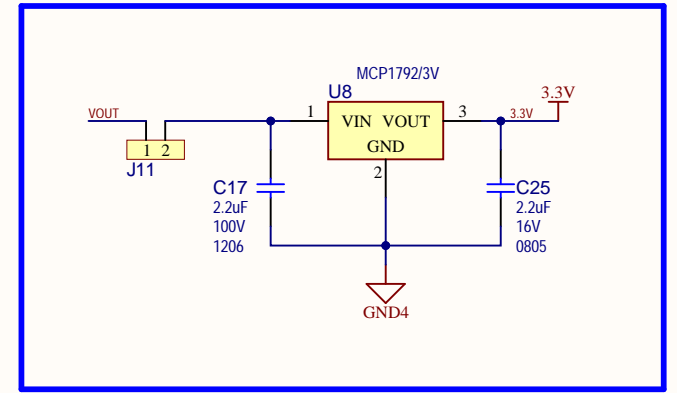


| REV | ECO# | DESCRIPTION | DATE |
|-----|------|-------------|------|
| | | | |

HV96001 CIRCUIT



3.3V Supply



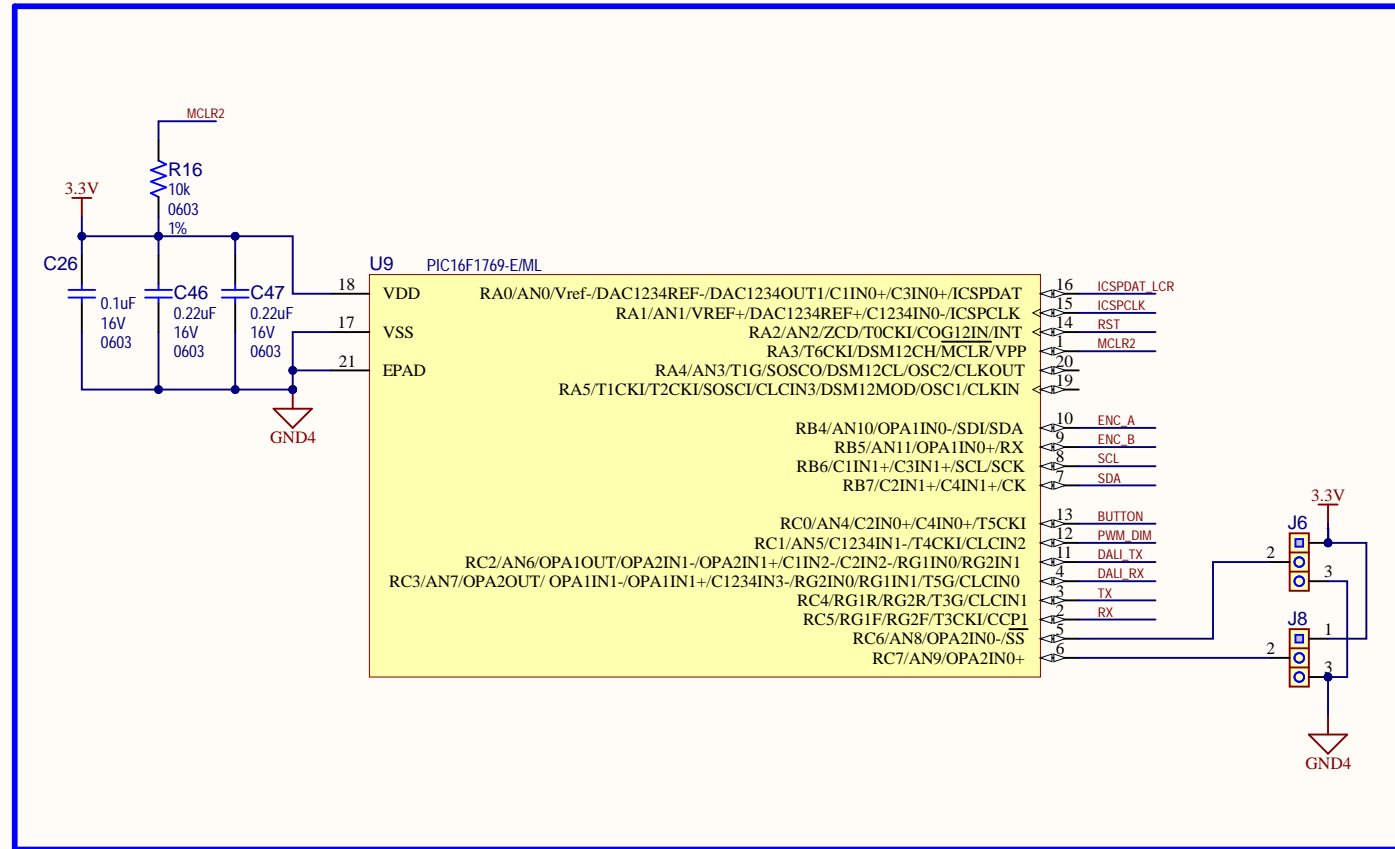
JP1
Shunt 2.54mm 1x2 Handle

GND2 = Primary side Signal ground
 GND3 = Secondary side Power ground
 GND4 = Secondary side Signal ground

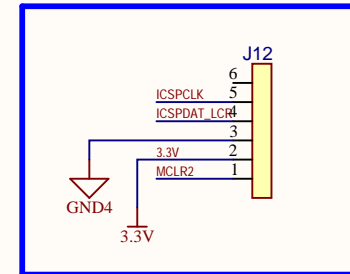
| | | |
|------------------------------|---|----------------------------|
| Drawn By: Stroe Octavian | | |
| Engineer: Sergiu Gheorghe | | |
| PartNumber: ADM01030 | Project Title HV96001 Deep Dimming LED Driver EVB | |
| Sheet Title | | |
| ** | | |
| Size B | Sch #03-10923 | Date: 1/7/2020 12:11:47 PM |
| | Revision:3.2 | Sheet * of * |
| File: Mechanical_1_F.SchDoc | | |

Altium
Altium.com

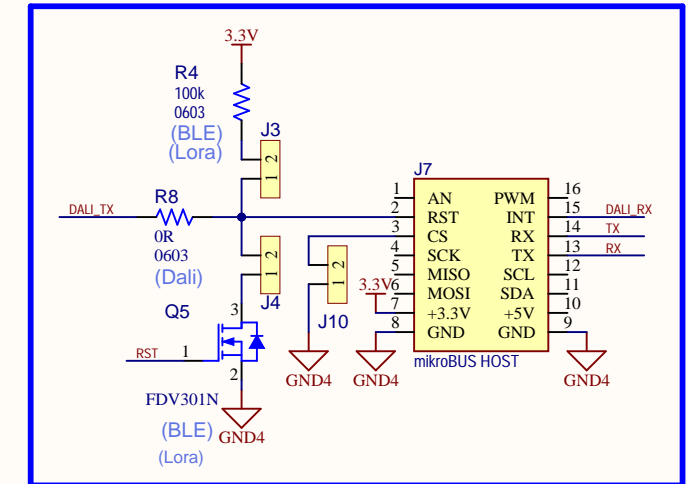
SECONDARY SIDE PIC (U9) for Dimming Control



SECONDARY PICKIT HEADER



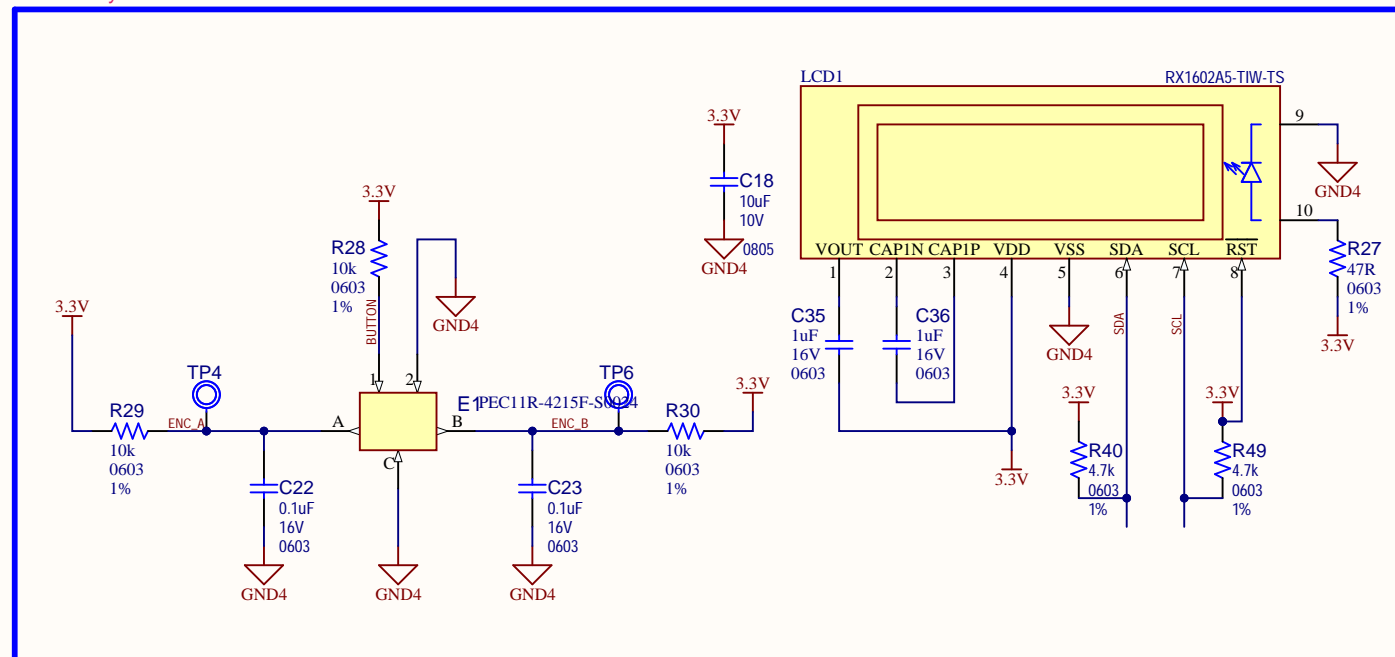
CLICKBOARD HEADER DALI2



LABEL1
02- -R1
JIT
LABEL Need Help Small

- PAD1
Rubber Pad L12.1W12.1H3.5
- PAD2
Rubber Pad L12.1W12.1H3.5
- PAD3
Rubber Pad L12.1W12.1H3.5
- PAD4
Rubber Pad L12.1W12.1H3.5

Secondary PIC CONTROL



| | |
|------------------------------|---|
| Drawn By: Stroe Octavian | |
| Engineer: Sergiu Gheorghe | |
| PartNumber: ADM01030 | Project Title HV96001 Deep Dimming LED Driver EVB |
| Sheet Title ** | Designed with |
| Size B | Sch #03-10923 Date: 1/7/2020 12:11:47 PM |
| | Revision:3.2 Sheet * of * |
| File: Mechanical_2_F.SchDoc | |

X-ON Electronics

Largest Supplier of Electrical and Electronic Components

Click to view similar products for [LED Lighting Development Tools](#) category:

Click to view products by [Microchip](#) manufacturer:

Other Similar products are found below :

[MIC2870YFT EV](#) [TDGL014](#) [ISL97682IRTZEVALZ](#) [EA6358NH](#) [TPS92315EVM-516](#) [STEVAL-LLL006V1](#) [IS31LT3948-GRLS4-EB](#)
[PIM526](#) [PIM527](#) [MAX6946EVKIT+](#) [MAX20070EVKIT#](#) [MAX20090BEVKIT#](#) [PIM498](#) [AP8800EV1](#) [ZXLD1370/1EV4](#) [TLC59116EVM-](#)
[390](#) [1216.1013](#) [TPS61176EVM-566](#) [TPS92001EVM-628](#) [1270](#) [1271.2004](#) [1272.1030](#) [1273.1010](#) [1278.1010](#) [1279.1002](#) [1279.1001](#)
[1282.1000](#) [1293.1900](#) [1293.1800](#) [1293.1700](#) [1293.1500](#) [1293.1100](#) [1282.1400](#) [1282.1100](#) [1293.1200](#) [1282.1200](#) [1293.1000](#) [1282.6000](#)
[1296.2012](#) [MIKROE-2520](#) [1721](#) [1762](#) [PIR-GEVB](#) [TPS61161EVM-243](#) [TLC6C5712EVM](#) [TLC59116FEVM-571](#) [STEVAL-ILL056V1](#)
[ADM00767](#) [STEVAL-ILL080V1](#) [DC1224A](#)