



MICROCHIP

**MCP6C02
Evaluation Board
User's Guide**

Note the following details of the code protection feature on Microchip devices:

- Microchip products meet the specifications contained in their particular Microchip Data Sheet.
- Microchip believes that its family of products is secure when used in the intended manner and under normal conditions.
- There are dishonest and possibly illegal methods being used in attempts to breach the code protection features of the Microchip devices. We believe that these methods require using the Microchip products in a manner outside the operating specifications contained in Microchip's Data Sheets. Attempts to breach these code protection features, most likely, cannot be accomplished without violating Microchip's intellectual property rights.
- Microchip is willing to work with any customer who is concerned about the integrity of its code.
- Neither Microchip nor any other semiconductor manufacturer can guarantee the security of its code. Code protection does not mean that we are guaranteeing the product is "unbreakable". Code protection is constantly evolving. We at Microchip are committed to continuously improving the code protection features of our products. Attempts to break Microchip's code protection feature may be a violation of the Digital Millennium Copyright Act. If such acts allow unauthorized access to your software or other copyrighted work, you may have a right to sue for relief under that Act.

Information contained in this publication is provided for the sole purpose of designing with and using Microchip products. Information regarding device applications and the like is provided only for your convenience and may be superseded by updates. It is your responsibility to ensure that your application meets with your specifications.

THIS INFORMATION IS PROVIDED BY MICROCHIP "AS IS". MICROCHIP MAKES NO REPRESENTATIONS OR WARRANTIES OF ANY KIND WHETHER EXPRESS OR IMPLIED, WRITTEN OR ORAL, STATUTORY OR OTHERWISE, RELATED TO THE INFORMATION INCLUDING BUT NOT LIMITED TO ANY IMPLIED WARRANTIES OF NON-INFRINGEMENT, MERCHANTABILITY, AND FITNESS FOR A PARTICULAR PURPOSE OR WARRANTIES RELATED TO ITS CONDITION, QUALITY, OR PERFORMANCE.

IN NO EVENT WILL MICROCHIP BE LIABLE FOR ANY INDIRECT, SPECIAL, PUNITIVE, INCIDENTAL OR CONSEQUENTIAL LOSS, DAMAGE, COST OR EXPENSE OF ANY KIND WHATSOEVER RELATED TO THE INFORMATION OR ITS USE, HOWEVER CAUSED, EVEN IF MICROCHIP HAS BEEN ADVISED OF THE POSSIBILITY OR THE DAMAGES ARE FORESEEABLE. TO THE FULLEST EXTENT ALLOWED BY LAW, MICROCHIP'S TOTAL LIABILITY ON ALL CLAIMS IN ANY WAY RELATED TO THE INFORMATION OR ITS USE WILL NOT EXCEED THE AMOUNT OF FEES, IF ANY, THAT YOU HAVE PAID DIRECTLY TO MICROCHIP FOR THE INFORMATION. Use of Microchip devices in life support and/or safety applications is entirely at the buyer's risk, and the buyer agrees to defend, indemnify and hold harmless Microchip from any and all damages, claims, suits, or expenses resulting from such use. No licenses are conveyed, implicitly or otherwise, under any Microchip intellectual property rights unless otherwise stated.

Trademarks

The Microchip name and logo, the Microchip logo, Adaptec, AnyRate, AVR, AVR logo, AVR Freaks, BesTime, BitCloud, chipKIT, chipKIT logo, CryptoMemory, CryptoRF, dsPIC, FlashFlex, flexPWR, HELDO, IGLOO, JukeBlox, KeeLoq, Kleer, LANCheck, LinkMD, maXStylus, maXTouch, MediaLB, megaAVR, Microsemi, Microsemi logo, MOST, MOST logo, MPLAB, OptoLyzer, PackeTime, PIC, picoPower, PICSTART, PIC32 logo, PolarFire, Prochip Designer, QTouch, SAM-BA, SenGenuity, SpyNIC, SST, SST Logo, SuperFlash, Symmetricom, SyncServer, Tachyon, TimeSource, tinyAVR, UNI/O, Vectron, and XMEGA are registered trademarks of Microchip Technology Incorporated in the U.S.A. and other countries.

AgileSwitch, APT, ClockWorks, The Embedded Control Solutions Company, EtherSynch, FlashTec, Hyper Speed Control, HyperLight Load, IntelliMOS, Libero, motorBench, mTouch, Powermite 3, Precision Edge, ProASIC, ProASIC Plus, ProASIC Plus logo, Quiet-Wire, SmartFusion, SyncWorld, Temux, TimeCesium, TimeHub, TimePictra, TimeProvider, WinPath, and ZL are registered trademarks of Microchip Technology Incorporated in the U.S.A.

Adjacent Key Suppression, AKS, Analog-for-the-Digital Age, Any Capacitor, AnyIn, AnyOut, Augmented Switching, BlueSky, BodyCom, CodeGuard, CryptoAuthentication, CryptoAutomotive, CryptoCompanion, CryptoController, dsPICDEM, dsPICDEM.net, Dynamic Average Matching, DAM, ECAN, Espresso T1S, EtherGREEN, IdealBridge, In-Circuit Serial Programming, ICSP, INICnet, Intelligent Paralleling, Inter-Chip Connectivity, JitterBlocker, maxCrypto, maxView, memBrain, Mindi, MiWi, MPASM, MPF, MPLAB Certified logo, MPLIB, MPLINK, MultiTRAK, NetDetach, Omniscient Code Generation, PICDEM, PICDEM.net, PICkit, PICtail, PowerSmart, PureSilicon, QMatrix, REAL ICE, Ripple Blocker, RTAX, RTG4, SAM-ICE, Serial Quad I/O, simpleMAP, SimpliPHY, SmartBuffer, SMART-I.S., storClad, SQI, SuperSwitcher, SuperSwitcher II, Switchtec, SynchroPHY, Total Endurance, TSHARC, USBCheck, VariSense, VectorBlox, VeriPHY, ViewSpan, WiperLock, XpressConnect, and ZENA are trademarks of Microchip Technology Incorporated in the U.S.A. and other countries.

SQTP is a service mark of Microchip Technology Incorporated in the U.S.A.

The Adaptec logo, Frequency on Demand, Silicon Storage Technology, and Symmcom are registered trademarks of Microchip Technology Inc. in other countries.

GestIC is a registered trademark of Microchip Technology Germany II GmbH & Co. KG, a subsidiary of Microchip Technology Inc., in other countries.

All other trademarks mentioned herein are property of their respective companies.

© 2020, Microchip Technology Incorporated, All Rights Reserved.

ISBN: 978-1-5224-7285-8

For information regarding Microchip's Quality Management Systems, please visit www.microchip.com/quality.

Table of Contents

Preface	5
Introduction.....	5
Document Layout	5
Conventions Used in this Guide	6
Recommended Reading.....	7
The Microchip Website.....	7
Customer Support	7
Document Revision History	7
 Chapter 1. Product Overview	
1.1 Introduction	9
1.2 MCP6C02 Evaluation Board Short Overview	9
1.3 MCP6C02 Evaluation Board Description	9
1.4 Contents of the MCP6C02 Evaluation Board Kit	11
 Chapter 2. Installation and Operation	
2.1 Introduction	13
2.2 Safety Precautions	13
2.3 Required Tools	14
2.4 Basic Configurations	14
2.5 Configurations and Modifications	19
2.6 Configuring the PCB	19
 Appendix A. Schematic and Layouts	
A.1 Introduction	21
A.2 Board – Schematic	22
A.3 Board – Top Silk	23
A.4 Board – Top Copper and Silk	23
A.5 Board – Top Copper	24
A.6 Board – Bottom Copper	24
A.7 Board – Bottom Copper and Silk	25
A.8 Board – Bottom Silk	25
 Appendix B. Bill of Materials (BOM)	27
 Worldwide Sales and Service	29

MCP6C02 Evaluation Board User's Guide

NOTES:

Preface

NOTICE TO CUSTOMERS

All documentation becomes dated, and this manual is no exception. Microchip tools and documentation are constantly evolving to meet customer needs, so some actual dialogs and/or tool descriptions may differ from those in this document. Please refer to our website (www.microchip.com) to obtain the latest documentation available.

Documents are identified with a “DS” number. This number is located on the bottom of each page, in front of the page number. The numbering convention for the DS number is “DSXXXXXXXXA”, where “XXXXXXXX” is the document number and “A” is the revision level of the document.

For the most up-to-date information on development tools, see the MPLAB® IDE online help. Select the Help menu, and then Topics to open a list of available online help files.

INTRODUCTION

This chapter contains general information that will be useful to know before using the MCP6C02 Evaluation Board. Items discussed in this chapter include:

- [Document Layout](#)
- [Conventions Used in this Guide](#)
- [Recommended Reading](#)
- [The Microchip Website](#)
- [Customer Support](#)
- [Document Revision History](#)

DOCUMENT LAYOUT

This document describes how to use the MCP6C02 Evaluation Board as a development tool to emulate and debug firmware on a target board. The manual layout is as follows:

- **Chapter 1. “Product Overview”** – Important information about the MCP6C02 Evaluation Board.
- **Chapter 2. “Installation and Operation”** – Includes instructions on installing and starting the board.
- **Appendix A. “Schematic and Layouts”** – Shows the schematic and layout diagrams for the MCP6C02 Evaluation Board.
- **Appendix B. “Bill of Materials (BOM)”** – Lists the parts used to build the MCP6C02 Evaluation Board.

MCP6C02 Evaluation Board User's Guide

CONVENTIONS USED IN THIS GUIDE

This manual uses the following documentation conventions:

DOCUMENTATION CONVENTIONS

Description	Represents	Examples
Arial font:		
Italic characters	Referenced books	<i>MPLAB® IDE User's Guide</i>
	Emphasized text	...is the <i>only</i> compiler...
Initial caps	A window	the Output window
	A dialog	the Settings dialog
	A menu selection	select Enable Programmer
Quotes	A field name in a window or dialog	"Save project before build"
Underlined, italic text with right angle bracket	A menu path	<u><i>File>Save</i></u>
Bold characters	A dialog button	Click OK
	A tab	Click the Power tab
N'Rnnnn	A number in verilog format, where N is the total number of digits, R is the radix and n is a digit.	4'b0010, 2'hF1
Text in angle brackets < >	A key on the keyboard	Press <Enter>, <F1>
Courier New font:		
Plain Courier New	Sample source code	#define START
	Filenames	autoexec.bat
	File paths	c:\mcc18\h
	Keywords	_asm, _endasm, static
	Command-line options	-Opa+, -Opa-
	Bit values	0, 1
	Constants	0xFF, 'A'
Italic Courier New	A variable argument	<i>file.o</i> , where <i>file</i> can be any valid filename
Square brackets []	Optional arguments	mcc18 [options] <i>file</i> [options]
Curly brackets and pipe character: { }	Choice of mutually exclusive arguments; an OR selection	errorlevel {0 1}
Ellipses...	Replaces repeated text	var_name [, var_name...]
	Represents code supplied by user	void main (void) { ... }

RECOMMENDED READING

This user's guide describes how to use the MCP6C02 Evaluation Board. Other useful documents are listed below. The following Microchip documents are available and recommended as supplemental reference resources:

- **MCP6C02 Data Sheet – “Zero-Drift, 65V High-Side Current Sense Amplifier” (DS20006129)**
- **MCP6271 Data Sheet – “170 μ A, 2 MHz Rail-to-Rail Op Amp” (DS20001810)**
- **AN1258 Application Note – “Op Amp Precision Design: PCB Layout Techniques” (DS01258)**

THE MICROCHIP WEBSITE

Microchip provides online support via our website at www.microchip.com. This website is used as a means to make files and information easily available to customers. Accessible by using your favorite Internet browser, the website contains the following information:

- **Product Support** – Data sheets and errata, application notes and sample programs, design resources, user's guides and hardware support documents, latest software releases and archived software
- **General Technical Support** – Frequently Asked Questions (FAQs), technical support requests, online discussion groups, Microchip consultant program member listing
- **Business of Microchip** – Product selector and ordering guides, latest Microchip press releases, listing of seminars and events, listings of Microchip sales offices, distributors and factory representatives

CUSTOMER SUPPORT

Users of Microchip products can receive assistance through several channels:

- Distributor or Representative
- Local Sales Office
- Field Application Engineer (FAE)
- Technical Support

Customers should contact their distributor, representative or field application engineer (FAE) for support. Local sales offices are also available to help customers. A listing of sales offices and locations is included in the back of this document.

Technical support is available through the website at:

<http://www.microchip.com/support>

DOCUMENT REVISION HISTORY

Revision A (December 2020)

- Initial release of this document.

MCP6C02 Evaluation Board User's Guide

NOTES:

Chapter 1. Product Overview

1.1 INTRODUCTION

This chapter provides an overview of the MCP6C02 Evaluation Board and covers the following topics:

- [MCP6C02 Evaluation Board Short Overview](#)
- [MCP6C02 Evaluation Board Description](#)
- [Contents of the MCP6C02 Evaluation Board Kit](#)

1.2 MCP6C02 EVALUATION BOARD SHORT OVERVIEW

This board demonstrates the performance of the MCP6C02 high-side current sense amplifier. A load is supplied on the board for a convenient demonstration of the evaluation board. Supplying power and a load to the MCP6C02 Evaluation Board produces a small, measurable voltage drop across a shunt resistor on the evaluation board. This voltage drop is then amplified by the MCP6C02 on the board and outputted differentially at the test points V_{OUT+} and V_{OUT-} (TP1 and TP2). This voltage is proportional to the load current (I_L), as seen in [Equation 1-1](#).

EQUATION 1-1:

$$V_{OUT} = R_{SHUNT} \times I_L \times Gain$$

1.3 MCP6C02 EVALUATION BOARD DESCRIPTION

[Figure 1-1](#) shows the functionality of this demo board when using an external load. Detailed information is available in [Appendix A. “Schematic and Layouts”](#) and [Appendix B. “Bill of Materials \(BOM\)”](#).

MCP6C02 Evaluation Board User's Guide

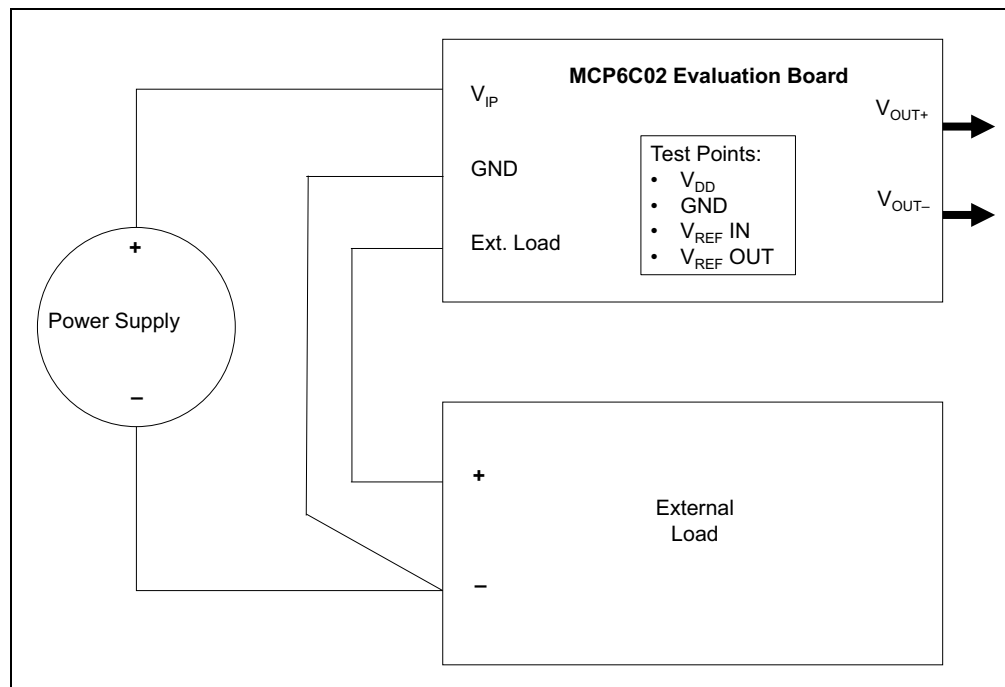


FIGURE 1-1: Using an External Load Block Diagram.

Figure 1-2 shows the functionality of the evaluation board when using the on-board load.

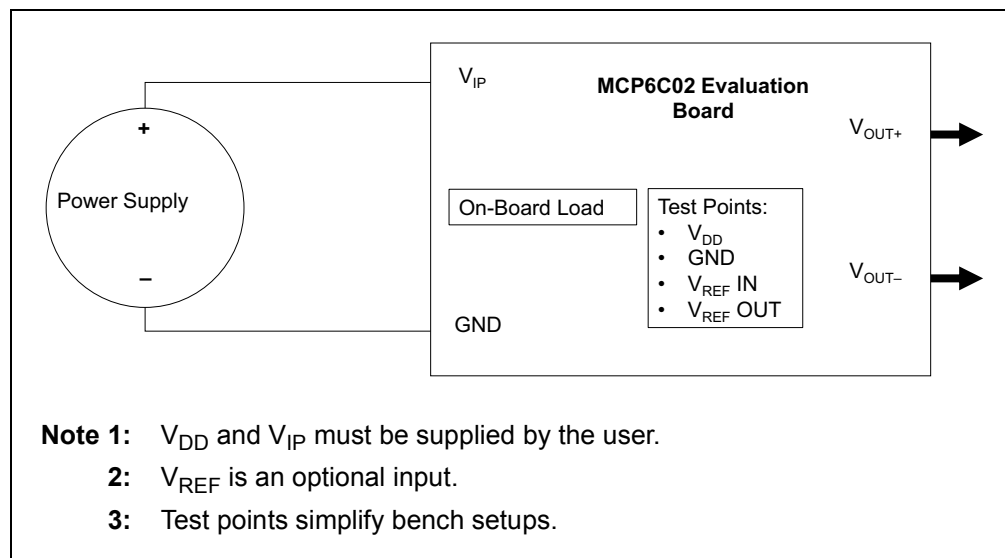


FIGURE 1-2: Using the On-Board Load Block Diagram.

1.4 CONTENTS OF THE MCP6C02 EVALUATION BOARD KIT

- The MCP6C02 Evaluation Board kit includes:
- MCP6C02 Evaluation Board (ADM01104)

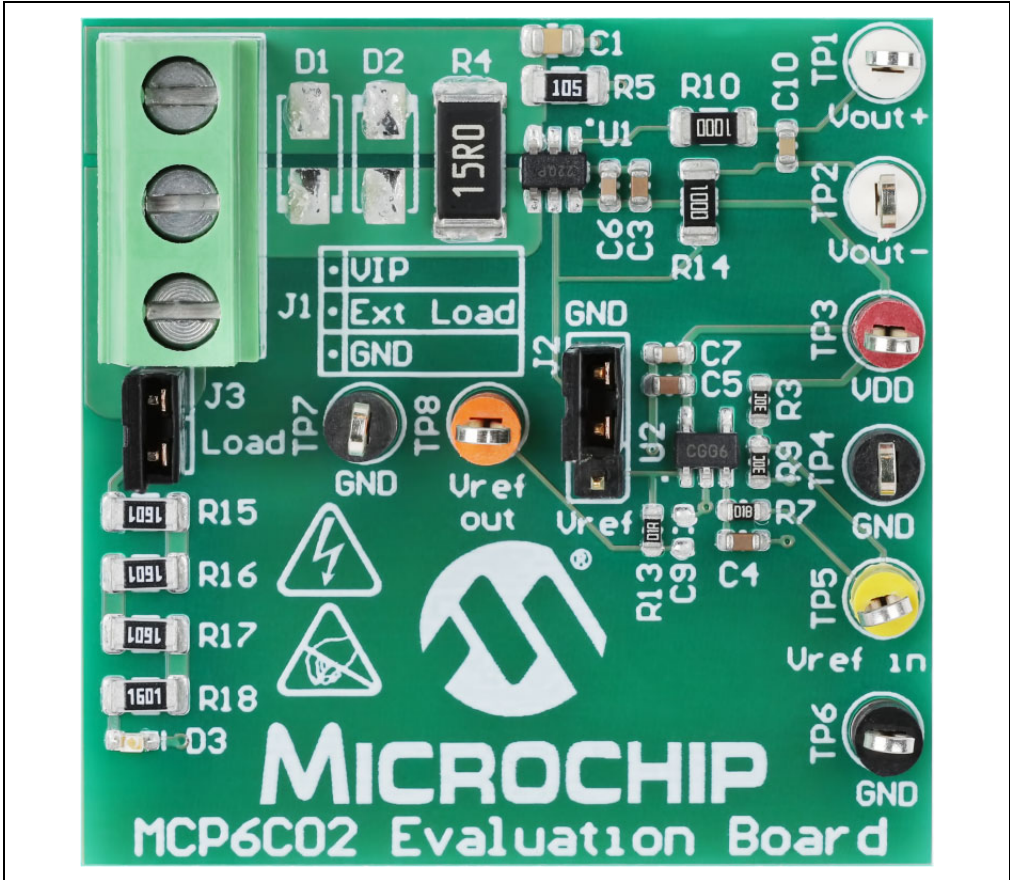


FIGURE 1-3: MCP6C02 Evaluation Board Kit Contents.

MCP6C02 Evaluation Board User's Guide

NOTES:

Chapter 2. Installation and Operation

2.1 INTRODUCTION

This chapter shows how to set up and operate the MCP6C02 Evaluation Board. Items discussed in this chapter include:

- Required Tools
- Basic Configurations
- Configurations with Modifications
- Configuring the PCB

2.2 SAFETY PRECAUTIONS

WARNING

Care must be taken when using the MCP6C02 Evaluation Board at high voltages. [Figure 2-1](#) and [Figure 2-2](#) represent warning labels on the MCP6C02 Evaluation Board.



FIGURE 2-1: *WARNING: High Voltage on Board.*



FIGURE 2-2: *WARNING: Do Not Touch Board.*

MCP6C02 Evaluation Board User's Guide

2.3 REQUIRED TOOLS

2.3.1 Bench Setup

Measurements on the bench focus on the analog performance:

- MCP6C02 Evaluation Board
- Lab Power Supply – generates up to +65.0V (V_{IP}), between 2V and 5.5V (V_{DD}), and ground (GND).
- Multimeter

2.4 BASIC CONFIGURATIONS

The following sections discuss various configurations supported by this board.

2.4.1 Out-of-the-Box Setup

The setup for the evaluation board is as follows (see [Figure 2-3](#)):

1. The MCP6C02 comes populated on the board.
2. The shunt resistor R4 (15 Ω , 1%, 2512, SMD resistor) is mounted on the PCB.
3. The jumper at J2 is populated to connect V_{REF} to ground. See [Section 2.4.2 “VREF”](#) for more V_{REF} options.
4. The jumper at J3 is populated to connect the on-board resistive load (R15-R18 and D3).
5. Connect the power source at J1 to V_{IP} .
6. Connect power to V_{DD} and GND.
7. When using the on-board resistive load, the LED (D3) turns on when V_{IP} is about +3.0V and becomes brighter as V_{IP} increases.
8. *Always* measure the output voltage differentially at V_{OUT+} and V_{OUT-} (TP1 and TP2).

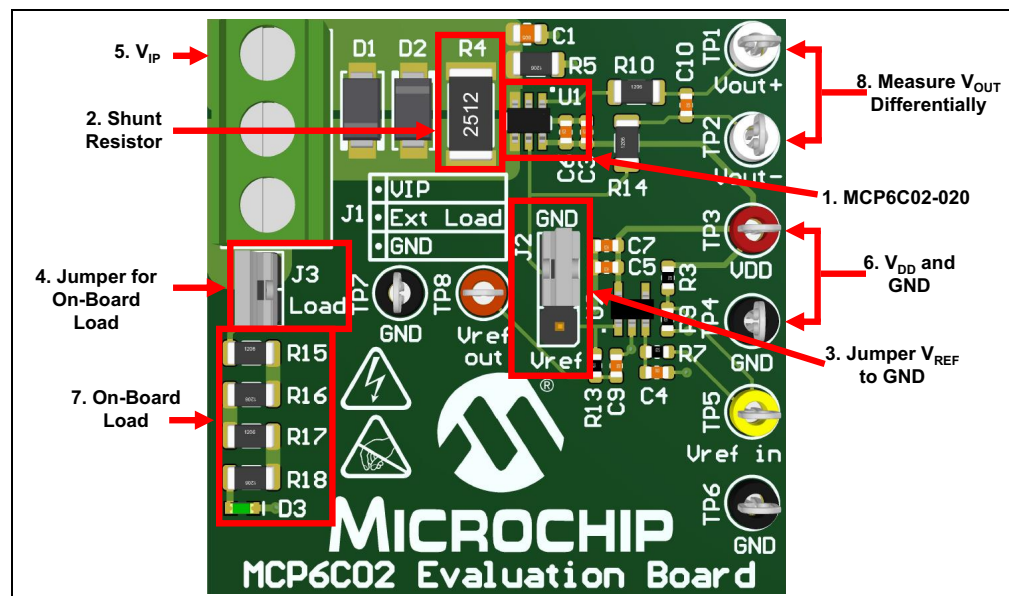


FIGURE 2-3: Out-of-the-Box Setup.

Installation and Operation

Alternative shunt resistors may be used with the MCP6C02 Evaluation Board, for example:

- 5 m Ω , 1%, 2512, SMD resistor
- 0.1 Ω , 1%, 2512, SMD resistor

To determine which R_{SHUNT} resistor to use, see [Section 2.4.5 “Choosing Shunt Resistors”](#). This is the most convenient setup.

2.4.2 V_{REF}

The MCP6C02 Evaluation Board has an optional, user-supplied reference voltage. The MCP6271 is used to supply a steady reference voltage to the MCP6C02. The J2 header provides the option of a reference voltage other than ground:

- Connecting a jumper at J2 to the V_{REF} pin, as seen in [Figure 2-4](#), selects the reference voltage supplied by the user.
- Connecting a jumper at J2 to the GND pin selects ground as the reference voltage. See [Figure 2-4](#).

When using a reference voltage other than GND, follow the instructions below:

1. Connect the jumper at J2.
2. V_{REF} must be supplied by the user at the TP2 test point.
3. V_{REF} must remain within limitations defined by the MCP6C02 data sheet.
4. To yield reliable results, maintain V_{REF} between 0V and $V_{DD} - 1.25V$.

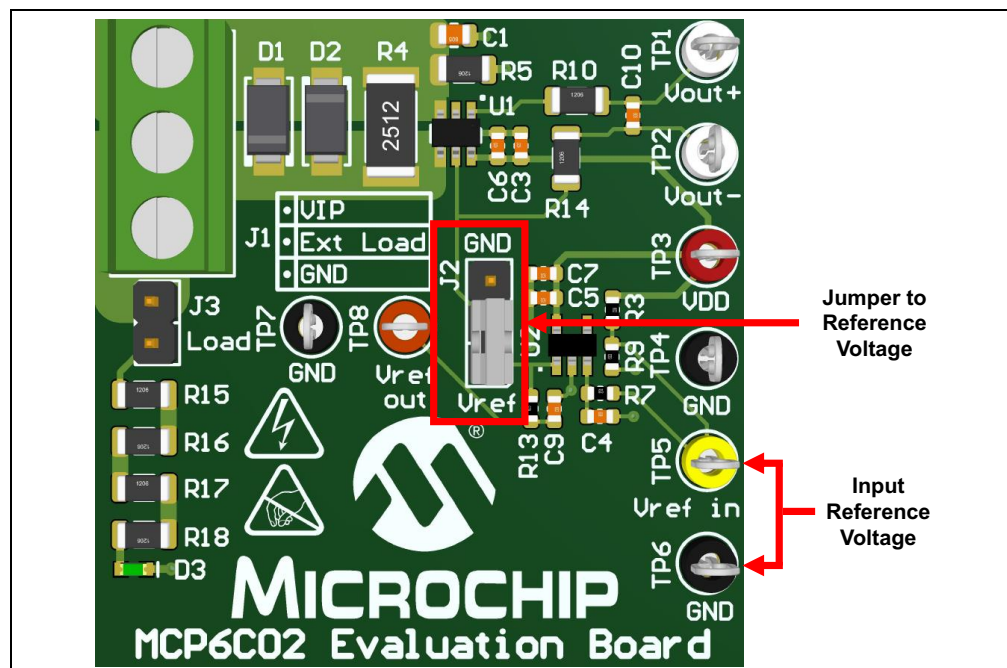


FIGURE 2-4: Using V_{REF} .

MCP6C02 Evaluation Board User's Guide

2.4.3 Using the On-Board Load

The on-board load consists of four 1.6 k Ω , 1206 resistors (R15, R16, R17, and R18) and a green LED (D3). When the supplied voltage to V_{IP} is about +3.0V (the specified minimum of V_{IP}), the LED turns on and gets brighter as V_{IP} increases. The J3 jumper must be populated to enable the on-board load (see [Figure 2-5](#)).

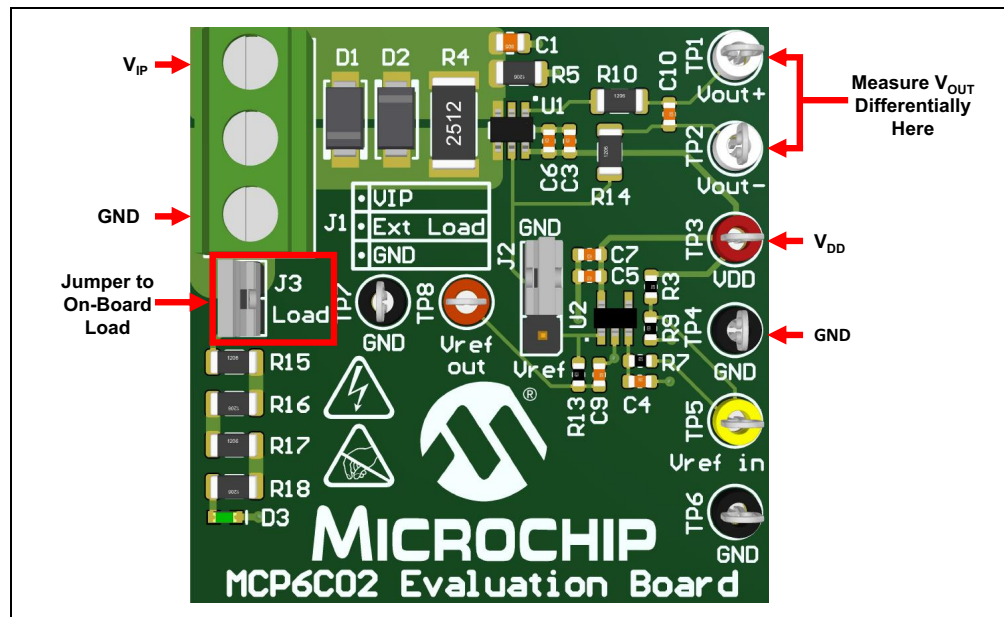


FIGURE 2-5: Using the On-Board Load.

2.4.4 Using an External Load

When using an external load, follow the instructions below:

1. Remove the jumper at J3.
2. Supply the power source to the V_{IP} terminal.
3. Connect the positive terminal of the external load to the external load terminal (middle terminal of J1, "Ext. Load") on the MCP6C02 Evaluation Board (see [Figure 2-6](#)).
4. Connect the grounds of your power source, the external load, and the MCP6C02 Evaluation Board.
5. Measure the output of the MCP6C02 Evaluation Board differentially at test points V_{OUT-} and V_{OUT+} .

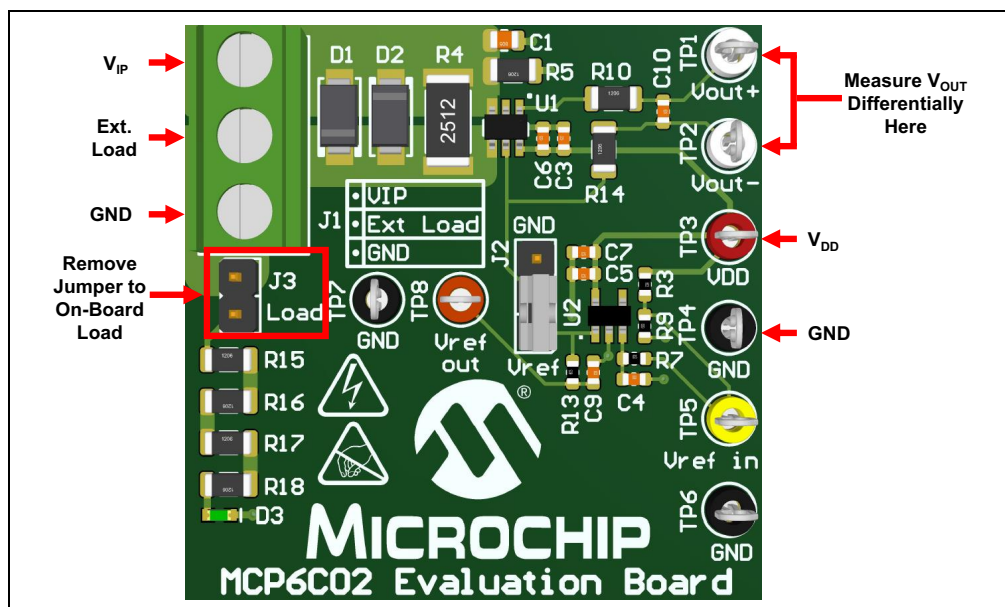


FIGURE 2-6: Using the External Load.

2.4.5 Choosing Shunt Resistors

Here are some tips for choosing what value to use for the shunt resistor:

- When choosing a value for the shunt resistor (R₄), there are two main things to consider: the minimum required accuracy of the device and the maximum power dissipation.
- High values of R_{SHUNT} have high accuracy, but a high power dissipation.
- Low values of R_{SHUNT} have low accuracy, but a low power dissipation.
- The offset voltage is fixed and is the main source of error. The typical offset voltage for the MCP6C02 Evaluation Board is between $\pm 1.5 \mu\text{V}$ and $\pm 1.9 \mu\text{V}$.
- The value for the shunt resistor (R₄) must be 15Ω in order to achieve less than 1% error when using the on-board resistive load (R₁₂), which has a maximum load current of 9.7 mA.
- Refer to [Equation 2-1](#) when determining the appropriate specifications for the shunt resistor.

MCP6C02 Evaluation Board User's Guide

EQUATION 2-1:

$$R_{SHUNT} > \frac{V_{OL}}{I_{MIN} \times G_{DM}}$$

$$R_{SHUNT} \geq \frac{MAX(V_{OS})}{I_{MAX} \times rel_err}$$

$$R_{SHUNT} < \frac{P_{MAX}}{I_{MAX}^2}$$

$$R_{SHUNT} < \frac{V_{OH}}{I_{MAX} \times G_{DM}}$$

Where:

- I_{MIN} = the minimum and maximum of the absolute value of the currents the MCP6C02 will measure: ($I_{MIN} = \text{MIN}(|I|)$ and $I_{MAX} = \text{MAX}(|I|)$)
- I_{MAX}
- P_{MAX} = the desired maximum power rating of the shunt resistor
- rel_err = the desired accuracy relative to the offset voltage (V_{OS}) and I_{MAX}

- When using the MCP6C02-050 and the MCP6C02-100, remember to adjust the value of the shunt resistor according to [Equation 2-1](#).

2.5 CONFIGURATIONS AND MODIFICATIONS

2.5.1 Component Substitutions

Replace the MCP6C02 with another gain option when higher gain is needed. See [Appendix B. “Bill of Materials \(BOM\)”](#) for specific part numbers.

2.5.2 Optional Features

The following are optional features of the MCP6C02 Evaluation Board:

- Protective diodes (D1 and D2), in case the shunt resistor (R4) fails open. For the suggested diodes, see [Appendix B. “Bill of Materials \(BOM\)”](#).
- R-C low-pass filter at the reference voltage output (TP8, $V_{REF\ OUT}$). For the suggested capacitor value, see [Appendix B. “Bill of Materials \(BOM\)”](#).

2.6 CONFIGURING THE PCB

2.6.1 Test Points

[Table 2-1](#) lists the test points and describes their functionality.

TABLE 2-1: TEST POINTS

Test Point		Comments
Ref. Des.	Label	
TP1	V_{OUT+}	V_{OUT+} : Positive differential MCP6C02 Evaluation Board output
TP2	V_{OUT-}	V_{OUT-} : Negative differential MCP6C02 Evaluation Board output
TP3	V_{DD}	Power supply for both MCP6C02 and MCP6271
TP4	GND	Ground
TP5	$V_{REF\ IN}$	User-supplied reference voltage
TP6	GND	Ground
TP7	GND	Ground
TP8	$V_{REF\ OUT}$	Buffered reference voltage with added R-C low-pass filter

2.6.2 Jumper and Switch Settings

[Table 2-2](#) describes the jumper settings.

TABLE 2-2: JUMPER SETTINGS

Jumper			Comments
Ref. Des.	No.	Label	
J2	1	GND	Connects the MCP6C02 reference voltage to ground
	2	V_{REF}	Connects the user-supplied reference voltage to the MCP6C02 Evaluation Board
J3	1	J3	When the jumper is in place, the on-board load is used (R15-R18 and D3)

MCP6C02 Evaluation Board User's Guide

2.6.3 Schematic Connectors

Table 2-3 shows the connector labels used in the schematic.

TABLE 2-3: TERMINAL BLOCK LABELS

External Signals	
Label	Description
V _{IP}	Power supply for load
Ext. Load	Terminal to positive side of external load
GND	Ground (for V _{IP} or Ext. Load)

Appendix A. Schematic and Layouts

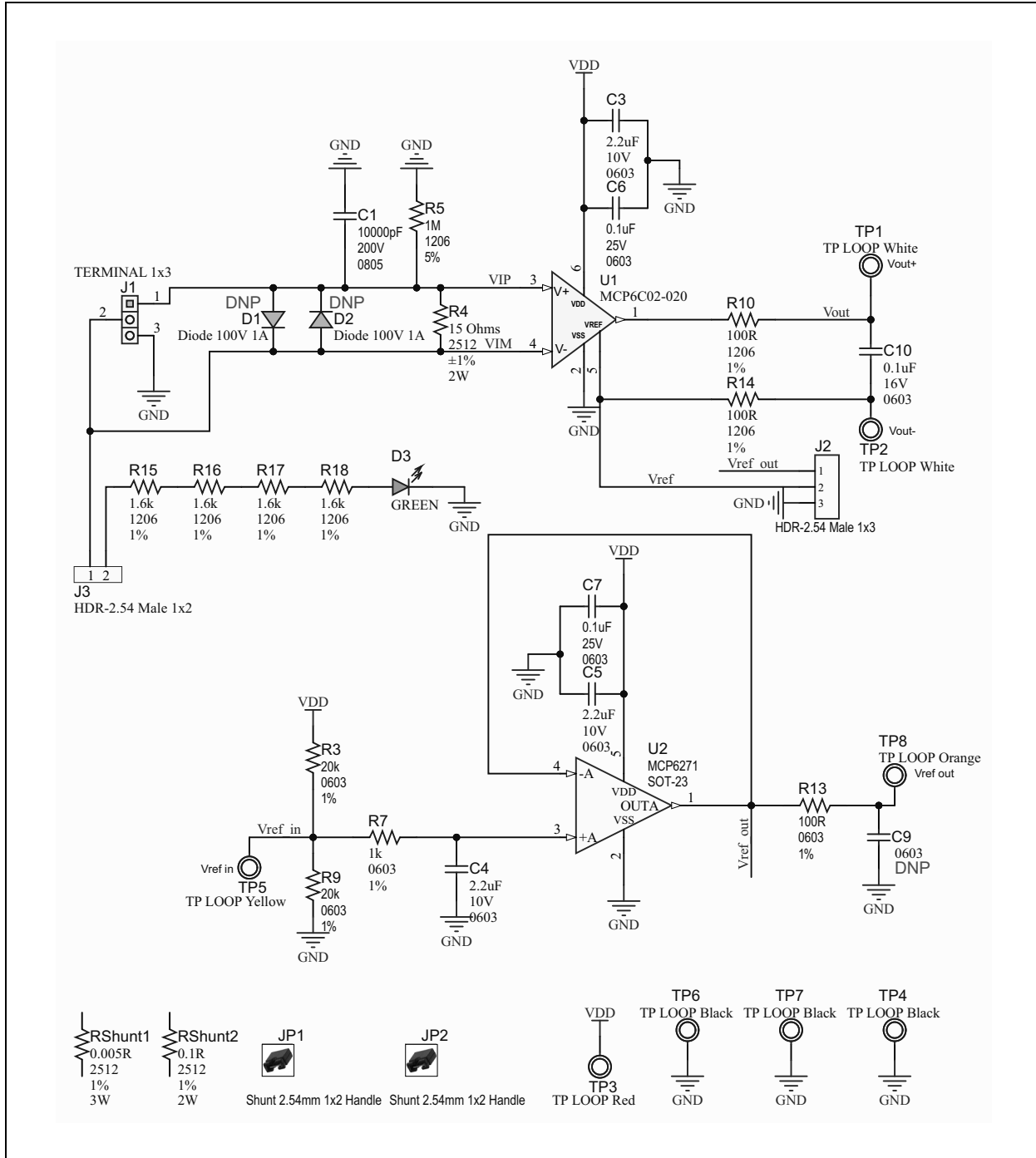
A.1 INTRODUCTION

This appendix contains the following schematic and layouts for the MCP6C02 Evaluation Board:

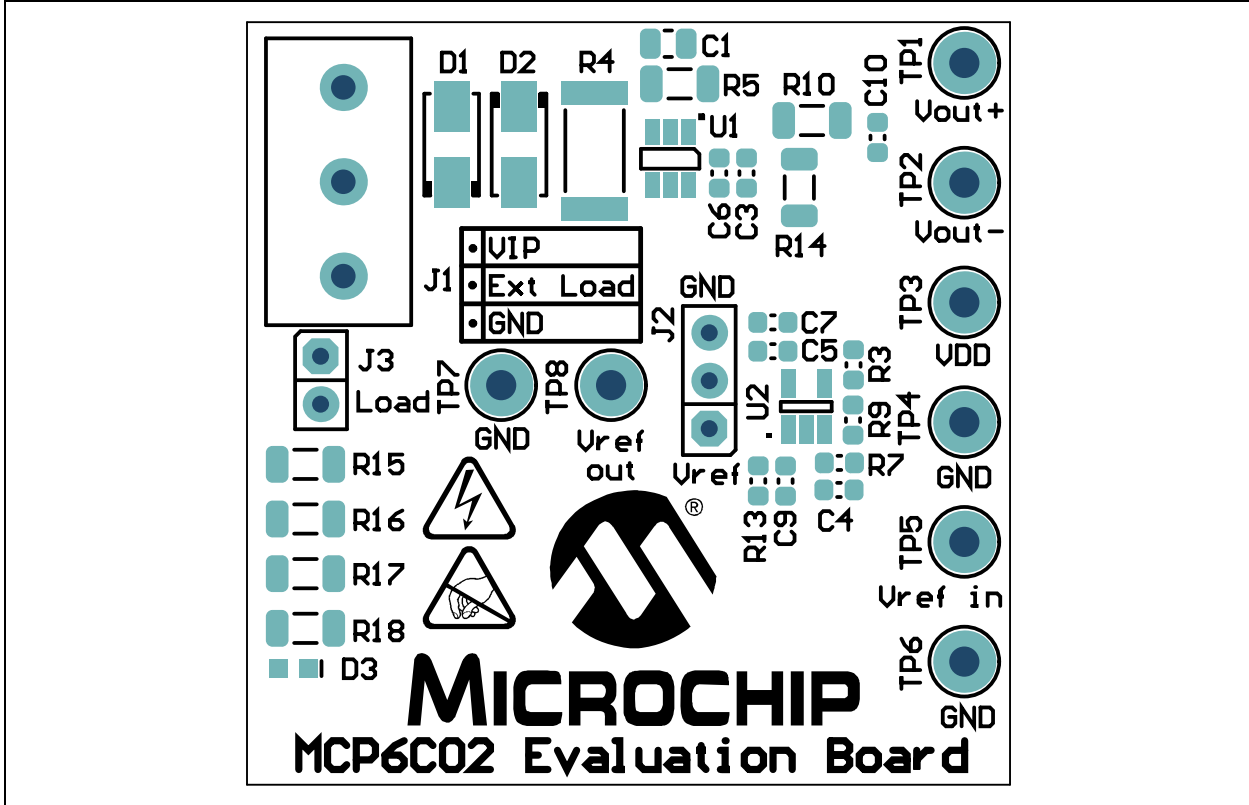
- **Board – Schematic**
- **Board – Top Silk**
- **Board – Top Copper and Silk**
- **Board – Top Copper**
- **Board – Bottom Copper**
- **Board – Bottom Copper and Silk**
- **Board – Bottom Silk**

MCP6C02 Evaluation Board User's Guide

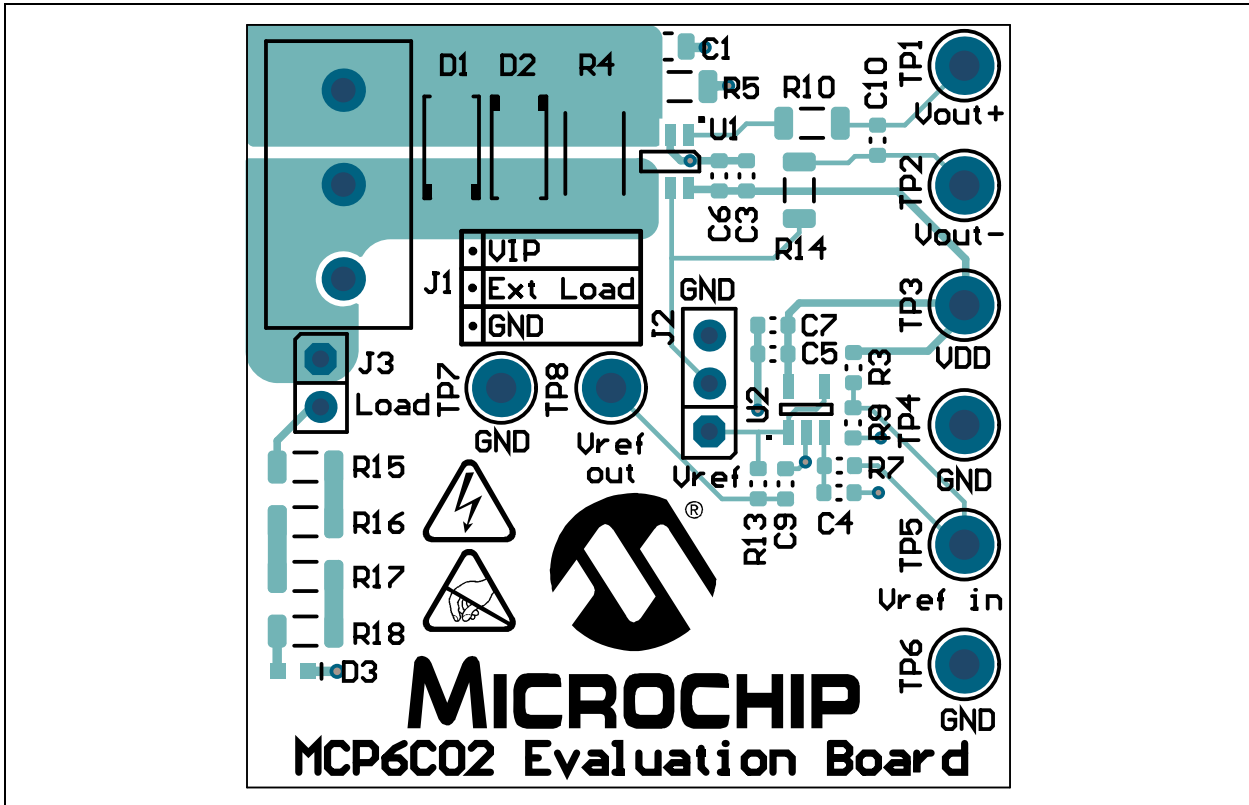
A.2 BOARD – SCHEMATIC



A.3 BOARD – TOP SILK

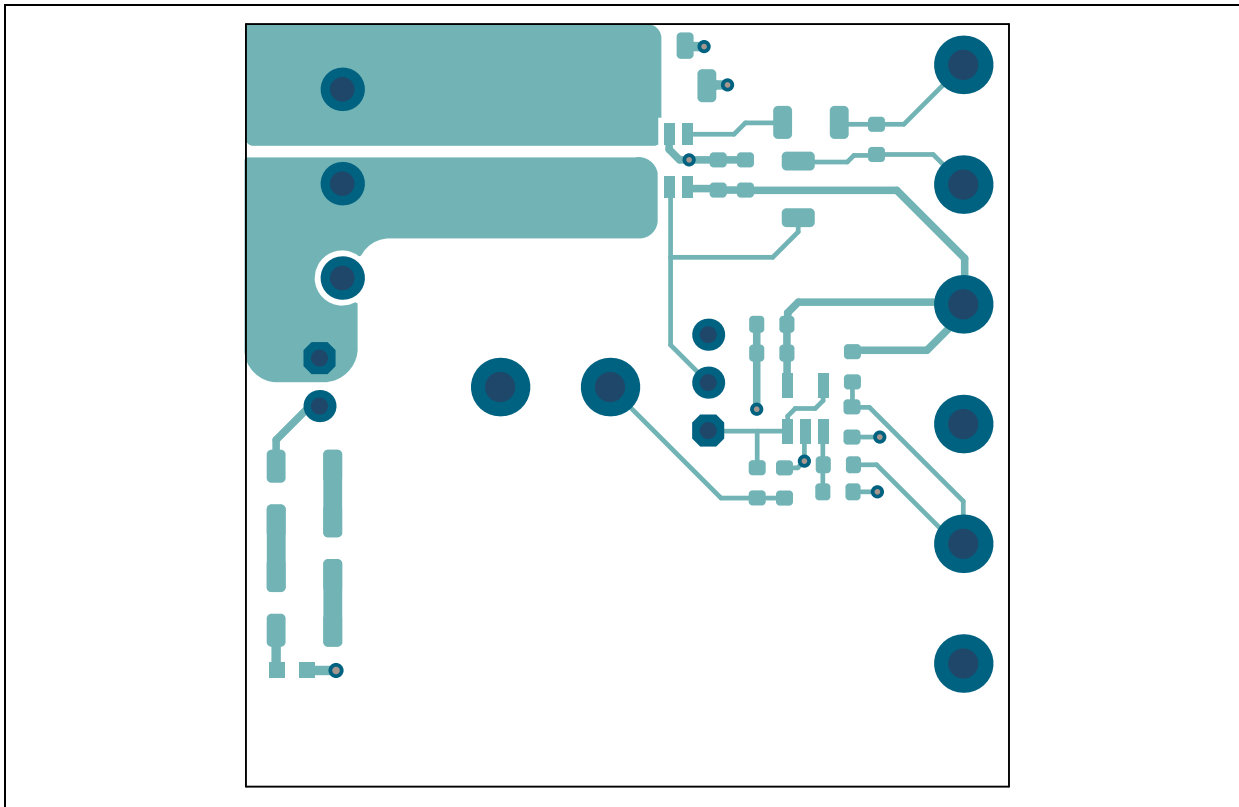


A.4 BOARD – TOP COPPER AND SILK

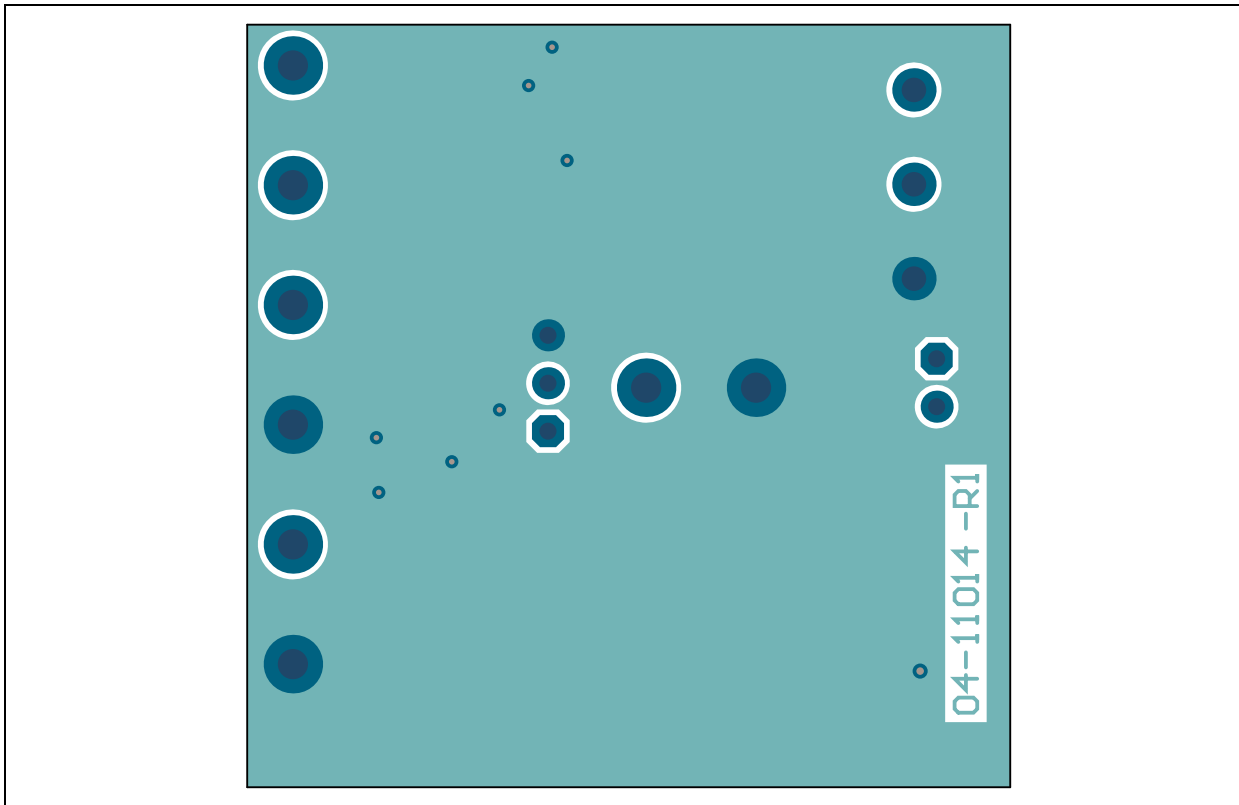


MCP6C02 Evaluation Board User's Guide

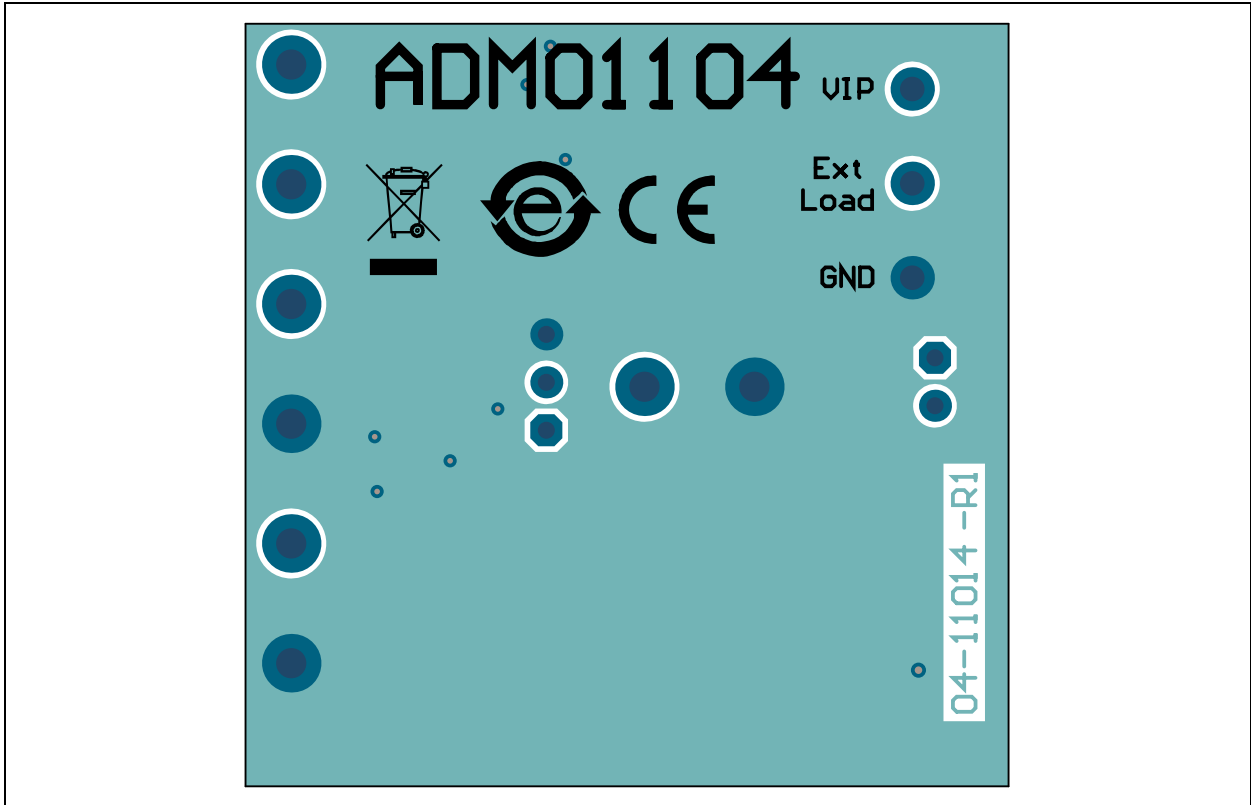
A.5 BOARD – TOP COPPER



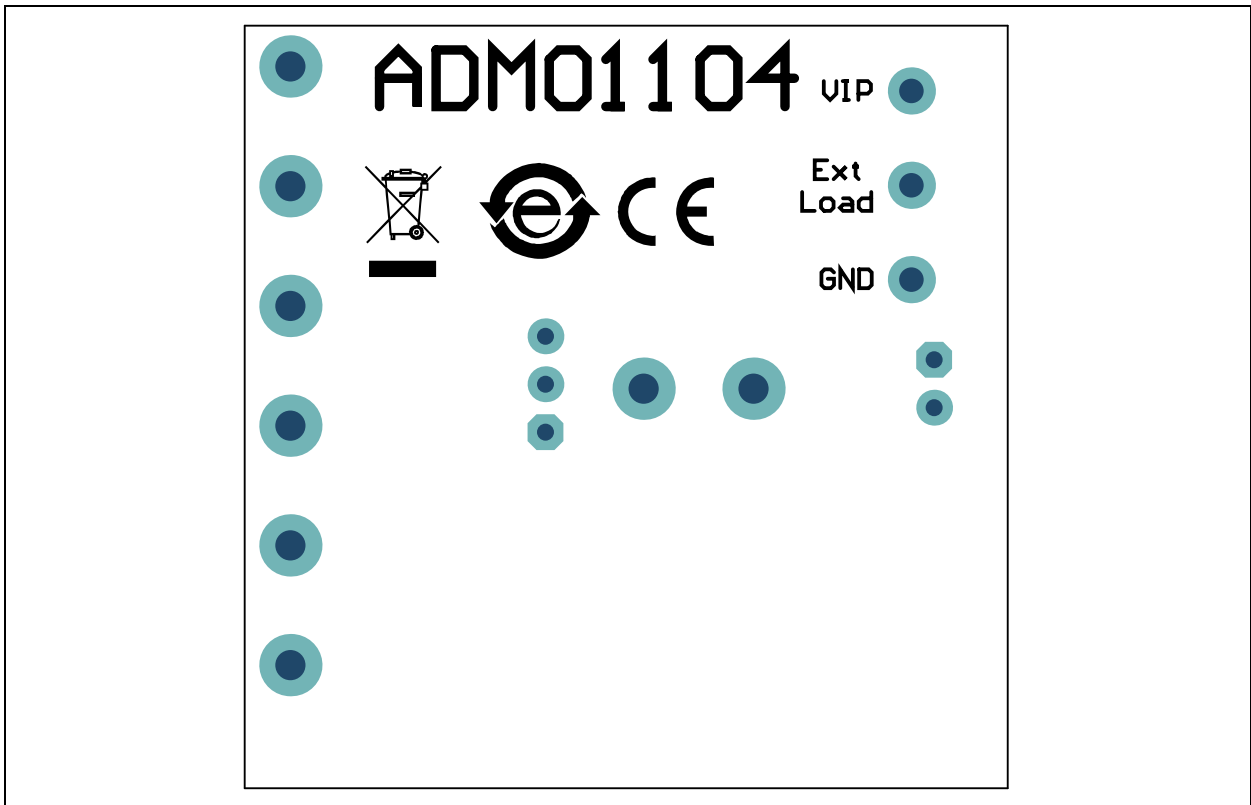
A.6 BOARD – BOTTOM COPPER



A.7 BOARD – BOTTOM COPPER AND SILK



A.8 BOARD – BOTTOM SILK



MCP6C02 Evaluation Board User's Guide

NOTES:

Appendix B. Bill of Materials (BOM)

TABLE B-1: BILL OF MATERIALS (BOM)

Qty.	Reference	Description	Manufacturer	Part Number
1	C1	Ceramic Capacitor, 10000 pF, 200V, X7R, 0805	Samsung Electro-Mechanics America, Inc.	CL21B103KDCNNNC
3	C3, C4, C5	Ceramic Capacitor, 2.2 μ F, 10V, 10%, X7R, SMD, 0603	Murata Manufacturing Co., Ltd.	GRM188R71A225KE15D
2	C6, C7	Ceramic Capacitor, 0.1 μ F, 25V, 5%, X7R, SMD, 0603	Yageo Corporation	CC0603JRX7R8BB104
1	C10	Ceramic Capacitor, 0.1 μ F, 16V, 10%, X7R, SMD, 0603	Samsung Electro-Mechanics America, Inc.	CL10B104KO8NNNC
1	D3	Diode, Green LED, 3.2V, 20 mA, 430 Mcd, Clear, SMD, 0603	Würth Elektronik	150060GS75000
1	J1	Connector Terminal, 5 mm, 1x3, Female, 12-30AWG, 16A, Through-Hole, R/A	Würth Elektronik	691137710003
1	J2	Connector, Header-2.54, Male, 1x3, Gold, 5.84 MH, Through-Hole, Vertical	Amphenol Commercial	68000-103HLF
1	J3	Connector, Header-2.54, Male, 1x2, Gold, 5.84 MH, Through-Hole, Vertical	Würth Elektronik	61300211121
2	JP1, JP2	Mechanical Hardware Jumper, 2.54 mm, 1x2, Handle Gold	TE Connectivity, Ltd.	881545-2
1	PCB1	MCP6C02 Evaluation Board – Printed Circuit Board	Microchip Technology Inc.	04-11014-R1
2	R3, R9	Resistor, Thick Film, 20K, 1%, 1/10W, SMD, 0603	Yageo Corporation	RC0603FR-0720KL
1	R4	Resistor, SMD, 15 Ω , 1%, 2W, 2512	Bourns [®] , Inc.	CRM2512-FX-15R0ELF
1	R5	Resistor, Thick Film, 1M 5% 1/4W SMD 1206	Panasonic [®] - ECG	ERJ-8GEYJ105V
1	R7	Resistor, Thick Film, 1K, 1%, 1/10W, SMD, 0603	Yageo Corporation	RC0603FR-071KL
2	R10, R14	Resistor, Thick Film, 100R, 1%, 1/4W, SMD, 1206	Yageo Corporation	RC1206FR-07100RL
1	R13	Resistor, Thick Film, 100R, 1%, 1/10W, SMD, 0603	ROHM Semiconductor	MCR03EZPFX1000
4	R15, R16, R17, R18	Resistor, Thick Film, 1.6K, 1%, 1/4W, SMD, 1206	Panasonic - ECG	ERJ-8ENF1601V
2	TP1, TP2	Connector, Test Point, Loop, White, Through-Hole	Keystone Electronics Corp.	5012

Note 1: The components listed in this Bill of Materials are representative of the PCB assembly. The released BOM used in manufacturing uses all RoHS-compliant components.

MCP6C02 Evaluation Board User's Guide

TABLE B-1: BILL OF MATERIALS (BOM) (CONTINUED)

Qty.	Reference	Description	Manufacturer	Part Number
1	TP3	Connector, Test Point, Loop, Red Through-Hole	Ohmite [®] Manufacturing	5010
3	TP4, TP6, TP7	Connector, Test Point, Loop, Black 3.18x5.59, Through-Hole	Keystone Electronics Corp.	5006
1	TP5	Connector, Test Point, Loop, Yellow, Through-Hole	Keystone Electronics Corp.	5014
1	TP8	Connector, Test Point, Loop, Orange, Through-Hole	Keystone Electronics Corp.	5013
1	U1	Microchip Analog Current Sense Amp, MCP6C02T-020E/CHY, SOT-23-6	Microchip Technology Inc.	MCP6C02T-020E/CHY
1	U2	Microchip Analog Op Amp, 1-Ch, 2 MHz, MCP6271T-E/OT, SOT-23-5	Microchip Technology Inc.	MCP6271T-E/OT

Note 1: The components listed in this Bill of Materials are representative of the PCB assembly. The released BOM used in manufacturing uses all RoHS-compliant components.

TABLE B-2: BILL OF MATERIALS (BOM) FOR ALTERNATE COMPONENTS

Qty.	Reference	Description	Manufacturer	Part Number
1	U1	NOT INCLUDED , Microchip Analog Current Sense Amp, MCP6C02T-050E/CHY, SOT-23-6	Microchip Technology Inc.	MCP6C02T-050E/CHYCT-ND
1	U1	NOT INCLUDED , Microchip Analog Current Sense Amp, MCP6C02T-100E/CHY, SOT-23-6	Microchip Technology Inc.	MCP6C02T-100E/CHYCT-ND

TABLE B-3: BILL OF MATERIALS (BOM) FOR OPTIONAL PARTS

Qty.	Reference	Description	Manufacturer	Part Number
1	C9	NOT INCLUDED , Ceramic Capacitor, 2.2 μ F, 16V, 10%, X5R, SMD, 0603	TDK Corporation	C1608X5R1C225K080AB
2	D1, D2	NOT INCLUDED , General Purpose Diode, 100V, 1A, SMA	ON Semiconductor [®]	SURA8110T3G



MICROCHIP

Worldwide Sales and Service

AMERICAS

Corporate Office
2355 West Chandler Blvd.
Chandler, AZ 85224-6199
Tel: 480-792-7200
Fax: 480-792-7277
Technical Support:
<http://www.microchip.com/support>
Web Address:
www.microchip.com

Atlanta

Duluth, GA
Tel: 678-957-9614
Fax: 678-957-1455

Austin, TX

Tel: 512-257-3370

Boston

Westborough, MA
Tel: 774-760-0087
Fax: 774-760-0088

Chicago

Itasca, IL
Tel: 630-285-0071
Fax: 630-285-0075

Dallas

Addison, TX
Tel: 972-818-7423
Fax: 972-818-2924

Detroit

Novi, MI
Tel: 248-848-4000

Houston, TX

Tel: 281-894-5983

Indianapolis

Noblesville, IN
Tel: 317-773-8323
Fax: 317-773-5453
Tel: 317-536-2380

Los Angeles

Mission Viejo, CA
Tel: 949-462-9523
Fax: 949-462-9608
Tel: 951-273-7800

Raleigh, NC

Tel: 919-844-7510

New York, NY

Tel: 631-435-6000

San Jose, CA

Tel: 408-735-9110
Tel: 408-436-4270

Canada - Toronto

Tel: 905-695-1980
Fax: 905-695-2078

ASIA/PACIFIC

Australia - Sydney
Tel: 61-2-9868-6733

China - Beijing
Tel: 86-10-8569-7000

China - Chengdu
Tel: 86-28-8665-5511

China - Chongqing
Tel: 86-23-8980-9588

China - Dongguan
Tel: 86-769-8702-9880

China - Guangzhou
Tel: 86-20-8755-8029

China - Hangzhou
Tel: 86-571-8792-8115

China - Hong Kong SAR
Tel: 852-2943-5100

China - Nanjing
Tel: 86-25-8473-2460

China - Qingdao
Tel: 86-532-8502-7355

China - Shanghai
Tel: 86-21-3326-8000

China - Shenyang
Tel: 86-24-2334-2829

China - Shenzhen
Tel: 86-755-8864-2200

China - Suzhou
Tel: 86-186-6233-1526

China - Wuhan
Tel: 86-27-5980-5300

China - Xian
Tel: 86-29-8833-7252

China - Xiamen
Tel: 86-592-2388138

China - Zhuhai
Tel: 86-756-3210040

ASIA/PACIFIC

India - Bangalore
Tel: 91-80-3090-4444

India - New Delhi
Tel: 91-11-4160-8631

India - Pune
Tel: 91-20-4121-0141

Japan - Osaka
Tel: 81-6-6152-7160

Japan - Tokyo
Tel: 81-3-6880-3770

Korea - Daegu
Tel: 82-53-744-4301

Korea - Seoul
Tel: 82-2-554-7200

Malaysia - Kuala Lumpur
Tel: 60-3-7651-7906

Malaysia - Penang
Tel: 60-4-227-8870

Philippines - Manila
Tel: 63-2-634-9065

Singapore
Tel: 65-6334-8870

Taiwan - Hsin Chu
Tel: 886-3-577-8366

Taiwan - Kaohsiung
Tel: 886-7-213-7830

Taiwan - Taipei
Tel: 886-2-2508-8600

Thailand - Bangkok
Tel: 66-2-694-1351

Vietnam - Ho Chi Minh
Tel: 84-28-5448-2100

EUROPE

Austria - Wels
Tel: 43-7242-2244-39
Fax: 43-7242-2244-393

Denmark - Copenhagen
Tel: 45-4485-5910
Fax: 45-4485-2829

Finland - Espoo
Tel: 358-9-4520-820

France - Paris
Tel: 33-1-69-53-63-20
Fax: 33-1-69-30-90-79

Germany - Garching
Tel: 49-8931-9700

Germany - Haan
Tel: 49-2129-3766400

Germany - Heilbronn
Tel: 49-7131-72400

Germany - Karlsruhe
Tel: 49-721-625370

Germany - Munich
Tel: 49-89-627-144-0
Fax: 49-89-627-144-44

Germany - Rosenheim
Tel: 49-8031-354-560

Israel - Ra'anana
Tel: 972-9-744-7705

Italy - Milan
Tel: 39-0331-742611
Fax: 39-0331-466781

Italy - Padova
Tel: 39-049-7625286

Netherlands - Drunen
Tel: 31-416-690399
Fax: 31-416-690340

Norway - Trondheim
Tel: 47-7288-4388

Poland - Warsaw
Tel: 48-22-3325737

Romania - Bucharest
Tel: 40-21-407-87-50

Spain - Madrid
Tel: 34-91-708-08-90
Fax: 34-91-708-08-91

Sweden - Gothenberg
Tel: 46-31-704-60-40

Sweden - Stockholm
Tel: 46-8-5090-4654

UK - Wokingham
Tel: 44-118-921-5800
Fax: 44-118-921-5820