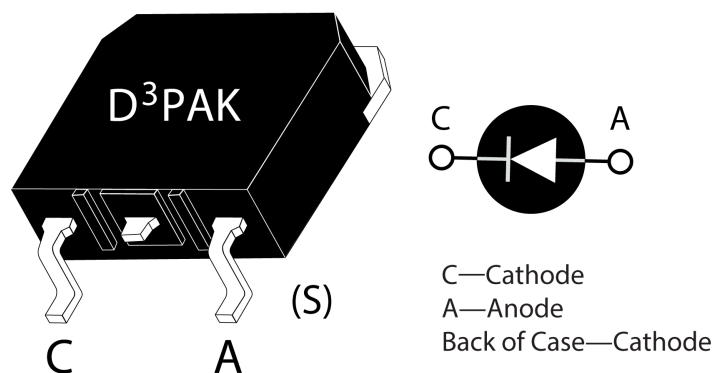


# APT75DQ120SG Ultrafast Soft Recovery Rectifier Diode

## 1 Product Overview

This section shows the product overview for the APT75DQ120SG device.



### 1.1 Features

The following are key features of the APT75DQ120SG device:

- Ultra fast recovery times
- Soft recovery characteristics
- Low forward voltage
- Low leakage current
- Avalanche energy rated
- RoHS compliant

### 1.2 Benefits

The following are benefits of the APT75DQ120SG device:

- High switching frequency
- Low switching losses
- Low noise (EMI) switching
- Higher reliability systems
- Increased system power density

### 1.3 Applications

The APT75DQ120SG device is designed for the following applications:

- Power factor correction (PFC)
- Anti-parallel diode
  - Switch-mode power supply
  - Inverters/converters
  - Motor controllers
- Freewheeling diode
  - Switch-mode power supply
  - Inverters/converters
- Snubber/clamp diode

## 2 Electrical Specifications

This section shows the electrical specifications for the APT75DQ120SG device.

### 2.1 Absolute Maximum Ratings

The following table lists the absolute maximum ratings for the APT75DQ120SG device.

All ratings:  $T_c = 25\text{ }^\circ\text{C}$  unless otherwise specified.

**Table 1 • Absolute Maximum Ratings**

Symbol	Parameter	Ratings	Unit
$V_R$	Maximum DC reverse voltage	1200	V
$V_{RRM}$	Maximum peak repetitive reverse voltage	1200	
$V_{RWM}$	Maximum working peak reverse voltage	1200	
$I_{F(AV)}$	Maximum average forward current ( $T_c = 112\text{ }^\circ\text{C}$ , duty cycle = 0.5)	75	A
$I_{F(RMS)}$	RMS forward current	121	
$I_{FSM}$	Non-repetitive forward surge current ( $T_J = 45\text{ }^\circ\text{C}$ , 8.3 ms)	540	
$E_{AVL}$	Avalanche energy (1 A, 40 mH)	20	mJ
$T_J, T_{STG}$	Operating and storage temperature range	-55 to 175	$^\circ\text{C}$
$T_L$	Lead temperature for 10 seconds	300	

The following table lists the thermal and mechanical characteristics of the APT75DQ120SG device.

**Table 2 • Thermal and Mechanical Characteristics**

Symbol	Characteristic	Min	Typ	Max	Unit
$R_{\theta JC}$	Junction-to-case thermal resistance			0.31	$^\circ\text{C}/\text{W}$
$Wt$	Package weight		0.14		oz
			3.9		g

### 2.2 Electrical Performance

The following table lists the static characteristics of the APT75DQ120SG device.

**Table 3 • Static Characteristics**

Symbol	Characteristic	Test Conditions	Min	Typ	Max	Unit
$V_F$	Forward voltage	$I_F = 75\text{ A}$		2.8	3.3	V
		$I_F = 150\text{ A}$		3.5		
		$I_F = 75\text{ A}, T_J = 125\text{ }^\circ\text{C}$		2.2		
$I_{RM}$	Maximum reverse leakage current	$V_R = 1200\text{ V}$			100	$\mu\text{A}$
		$V_R = 1200\text{ V}, T_J = 125\text{ }^\circ\text{C}$			500	
$C_J$	Junction capacitance	$V_R = 200\text{ V}$		50		pF

## 2.3 Dynamic Characteristics

The following table lists the dynamic characteristics of the APT75DQ120SG device.

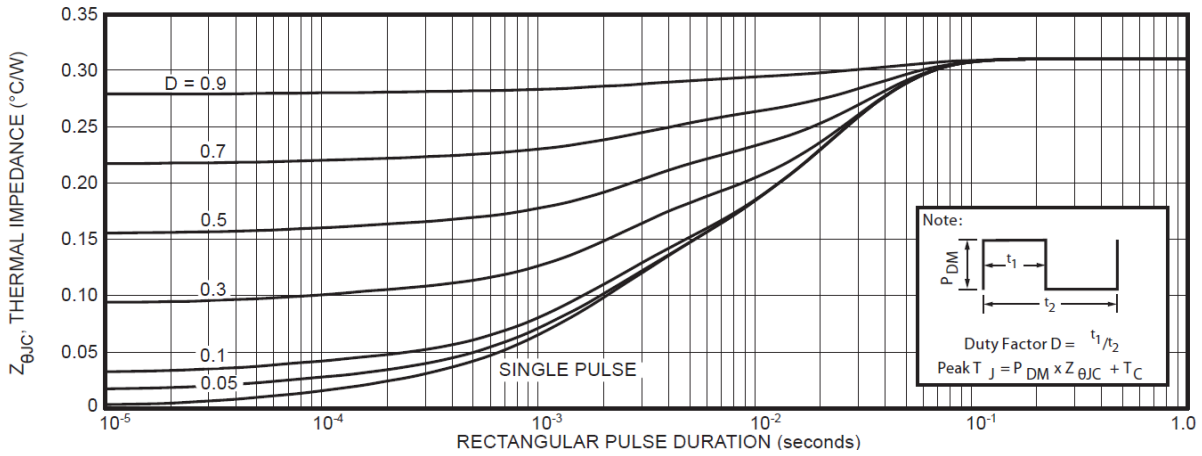
**Table 4 • Dynamic Characteristics**

Symbol	Characteristic	Test Conditions	Min	Typ	Max	Unit
$t_{rr}$	Reverse recovery time	$I_F = 1\text{ A}$ $di_F/dt = -100\text{ A}/\mu\text{s}$ $V_R = 30\text{ V}$ $T_J = 25\text{ }^\circ\text{C}$		32		ns
$t_{rr}$	Reverse recovery time	$I_F = 75\text{ A}$		325		
$Q_{rr}$	Reverse recovery charge	$di_F/dt = -200\text{ A}/\mu\text{s}$ $V_R = 800\text{ V}$		715		nC
$I_{RRM}$	Maximum reverse recovery current	$T_C = 25\text{ }^\circ\text{C}$		5		A
$t_{rr}$	Reverse recovery time	$I_F = 75\text{ A}$		420		ns
$Q_{rr}$	Reverse recovery charge	$di_F/dt = -200\text{ A}/\mu\text{s}$ $V_R = 800\text{ V}$		3340		nC
$I_{RRM}$	Maximum reverse recovery current	$T_C = 125\text{ }^\circ\text{C}$		13		A
$t_{rr}$	Reverse recovery time	$I_F = 75\text{ A}$		195		ns
$Q_{rr}$	Reverse recovery charge	$di_F/dt = -1000\text{ A}/\mu\text{s}$		5810		nC
$I_{RRM}$	Maximum reverse recovery current	$V_R = 800\text{ V}$ $T_C = 125\text{ }^\circ\text{C}$		42		A

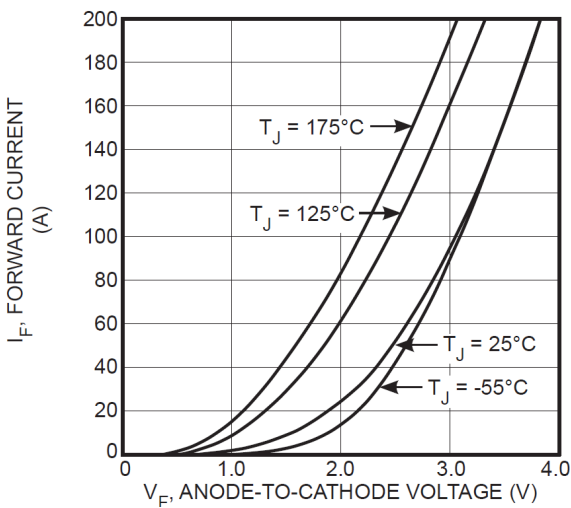
## 2.4 Typical Performance Curves

This section shows the typical performance curves for the APT75DQ120SG device.

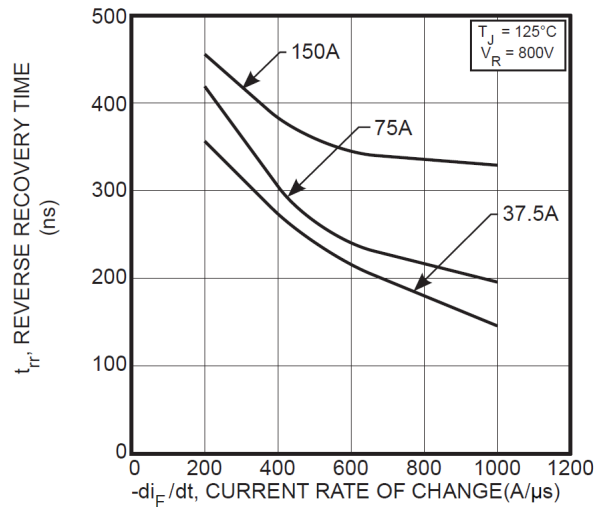
**Figure 1 • Maximum Transient Thermal Impedance**



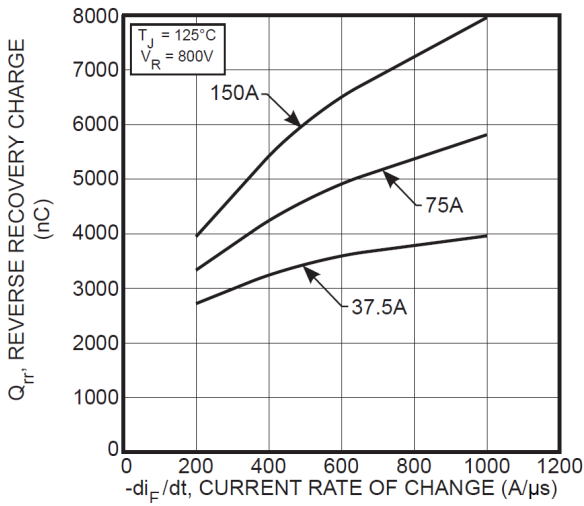
**Figure 2 • Forward Current vs. Forward Voltage**



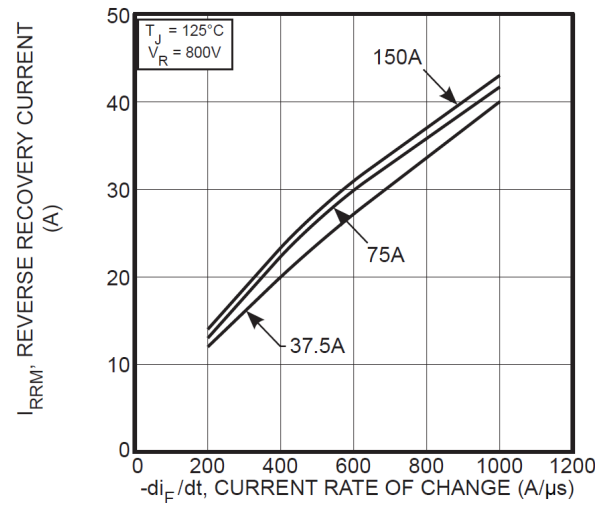
**Figure 3 • RRT vs. Current Rate of Change**



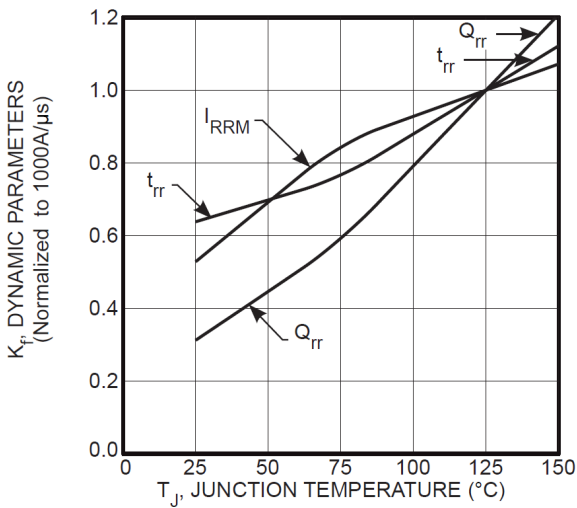
**Figure 4 • Reverse Recovery Charge vs. Current Rate of Change**



**Figure 5 • Reverse Recovery Current vs. Current Rate of Change**



**Figure 6 • Dynamic Parameters vs. Junction Temperature**



**Figure 7 • Maximum Average Forward Current vs. Case Temperature**

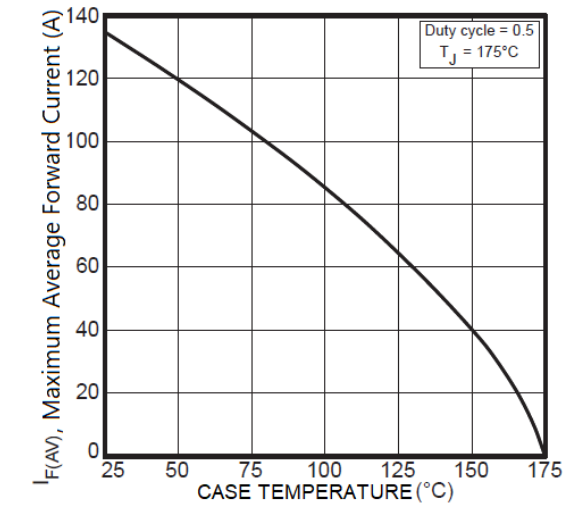
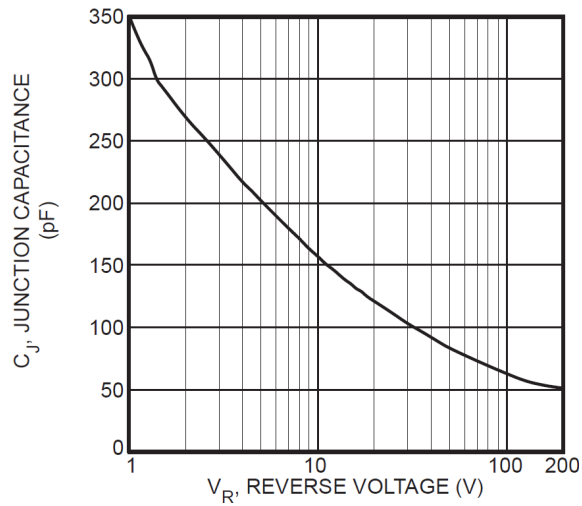


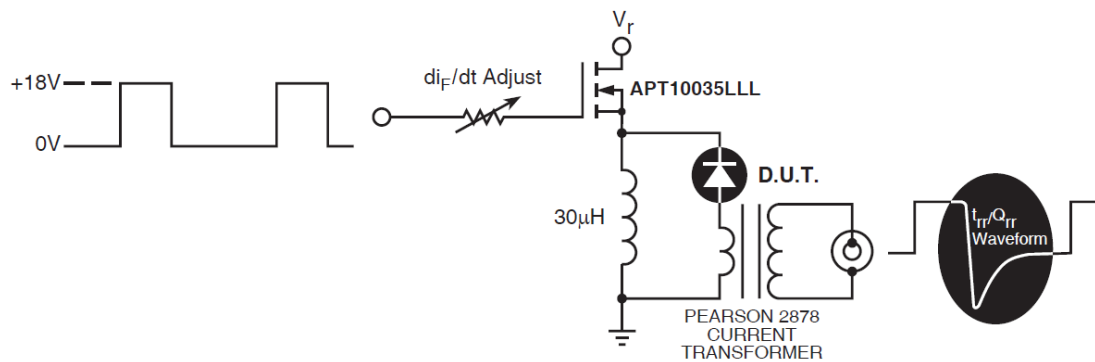
Figure 8 • Junction Capacitance vs. Reverse Voltage



## 2.5 Reverse Recovery Overview

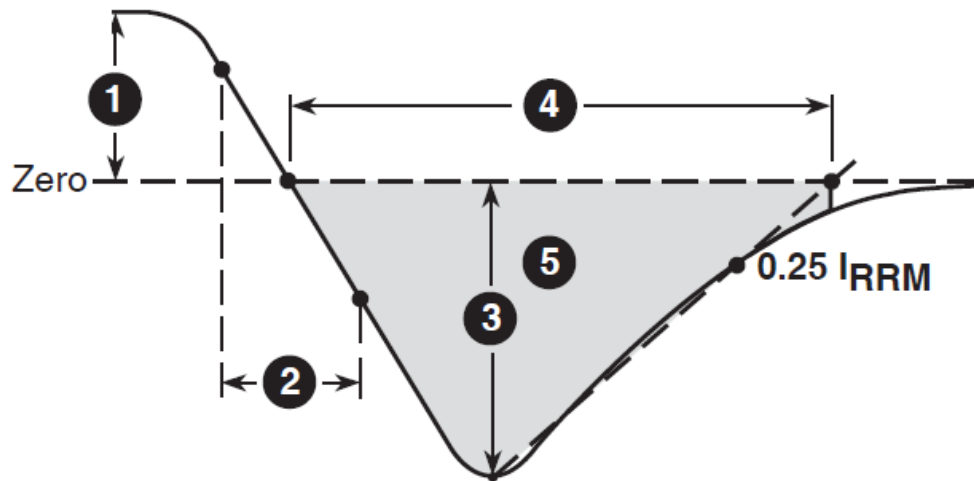
The following figure illustrates the diode test circuit for the APT75DQ120SG device.

Figure 9 • Diode Test Circuit



The following figure illustrates the diode reverse recovery waveform and definitions for the APT75DQ120SG device.

**Figure 10 • Diode Reverse Recovery Waveform and Definitions**



1.  $I_F$ —Forward conduction current.
2.  $di_F/dt$ —Rate of diode current change through zero crossing.
3.  $I_{RRM}$ —Maximum reverse recovery current.
4.  $t_{rr}$ —Reverse recovery time, measured from zero crossing where diode current goes from positive to negative, to the point at which the straight line through  $I_{RRM}$  and  $0.25 \cdot I_{RRM}$  passes through zero.
5.  $Q_{rr}$ —Area under the curve defined by  $I_{RRM}$  and  $t_{rr}$ .

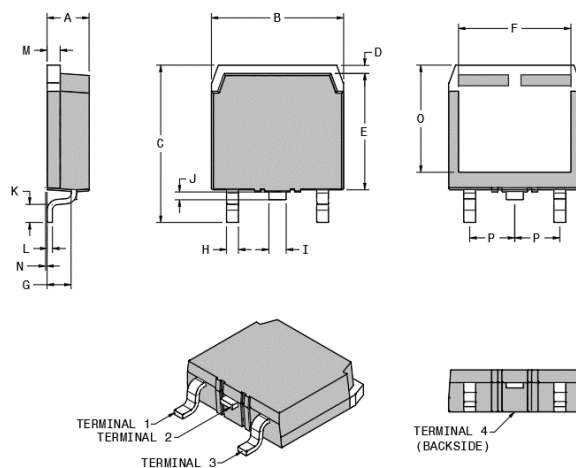
### 3 Package Specification

This section shows the package specification for the APT75DQ120SG device.

#### 3.1 Package Outline Drawing

The following figure illustrates the TO-268 package outline of APT75DQ120SG device.

**Figure 11 • Package Outline Drawing**



The following table lists the TO-268 dimensions and should be used in conjunction with the package outline drawing.

**Table 5 • TO-268 Dimensions**

Symbol	Min (mm)	Max (mm)	Min (in.)	Max (in.)
A	4.90	5.10	0.193	0.201
B	15.85	16.20	0.624	0.638
C	18.70	19.10	0.736	0.752
D	1.00	1.25	0.039	0.049
E	13.80	14.00	0.543	0.551
F	13.30	13.60	0.524	0.535
G	2.70	2.90	0.106	0.114
H	1.15	1.45	0.045	0.057
I	1.95	2.21	0.077	0.087
J	0.94	1.40	0.037	0.055
K	2.40	2.70	0.094	0.106
L	0.40	0.60	0.016	0.024
M	1.45	1.60	0.057	0.063
N	0.00	0.18	0.000	0.007
O	12.40	12.70	0.488	0.500
P	5.45 BSC (nom.)		0.215 BSC (nom.)	
Terminal 1	Cathode			
Terminal 2	Cathode			
Terminal 3	Anode			
Terminal 4	Cathode			





**Microsemi Headquarters**

One Enterprise, Aliso Viejo,  
CA 92656 USA  
Within the USA: +1 (800) 713-4113  
Outside the USA: +1 (949) 380-6100  
Sales: +1 (949) 380-6136  
Fax: +1 (949) 215-4996  
Email: [sales.support@microsemi.com](mailto:sales.support@microsemi.com)  
[www.microsemi.com](http://www.microsemi.com)

© 2019 Microsemi. All rights reserved. Microsemi and the Microsemi logo are trademarks of Microsemi Corporation. All other trademarks and service marks are the property of their respective owners.

Microsemi makes no warranty, representation, or guarantee regarding the information contained herein or the suitability of its products and services for any particular purpose, nor does Microsemi assume any liability whatsoever arising out of the application or use of any product or circuit. The products sold hereunder and any other products sold by Microsemi have been subject to limited testing and should not be used in conjunction with mission-critical equipment or applications. Any performance specifications are believed to be reliable but are not verified, and Buyer must conduct and complete all performance and other testing of the products, alone and together with, or installed in, any end-products. Buyer shall not rely on any data and performance specifications or parameters provided by Microsemi. It is the Buyer's responsibility to independently determine suitability of any products and to test and verify the same. The information provided by Microsemi hereunder is provided "as is, where is" and with all faults, and the entire risk associated with such information is entirely with the Buyer. Microsemi does not grant, explicitly or implicitly, to any party any patent rights, licenses, or any other IP rights, whether with regard to such information itself or anything described by such information. Information provided in this document is proprietary to Microsemi, and Microsemi reserves the right to make any changes to the information in this document or to any products and services at any time without notice.

Microsemi, a wholly owned subsidiary of Microchip Technology Inc. (Nasdaq: MCHP), offers a comprehensive portfolio of semiconductor and system solutions for aerospace & defense, communications, data center and industrial markets. Products include high-performance and radiation-hardened analog mixed-signal integrated circuits, FPGAs, SoCs and ASICs; power management products; timing and synchronization devices and precise time solutions, setting the world's standard for time; voice processing devices; RF solutions; discrete components; enterprise storage and communication solutions; security technologies and scalable anti-tamper products; Ethernet solutions; Power-over-Ethernet ICs and midspans; as well as custom design capabilities and services. Microsemi is headquartered in Aliso Viejo, California, and has approximately 4,800 employees globally. Learn more at [www.microsemi.com](http://www.microsemi.com).

053-4255 | January 2019 | Final

## X-ON Electronics

Largest Supplier of Electrical and Electronic Components

*Click to view similar products for [Rectifiers](#) category:*

*Click to view products by [Microchip](#) manufacturer:*

Other Similar products are found below :

[FERD15S50SB-TR](#) [D91A](#) [DA24F4100L](#) [DD89N1600K-A](#) [DD89N16K-K](#) [RL252-TP](#) [DLA11C-TR-E](#) [DSA17G](#) [JANTX1N4148UB](#)  
[JANTX1N5634A](#) [1N4005-TR](#) [BAV199-TP](#) [UES1306HR2](#) [UF4003-TP](#) [UFS120Je3/TR13](#) [JANS1N6640US](#) [DD89N16K](#) [DD89N16K-A](#)  
[481235F](#) [DSP10G-TR-E](#) [RRE02VS6SGTR](#) [067907F](#) [MS306](#) [ND104N08K](#) [SPA2003-B-D-A01](#) [VS-80-6193](#) [VS-66-9903](#) [VGF0136AB](#)  
[US2JFL-TP](#) [UFS105Je3/TR13](#) [A1N5404G-G](#) [ACGRA4007-HF](#) [ACGRB207-HF](#) [RF301B2STL](#) [RF501B2STL](#) [1SS355 RR](#) [UES1306](#)  
[UES1302](#) [BAV199E6433HTMA1](#) [ACGRC307-HF](#) [ACEFC304-HF](#) [DZ-1380](#) [JANTXV1N5637A](#) [JANTX1N5555](#) [JANTXV1N5660A](#)  
[JAN1N5555](#) [JANTX1N5822US](#) [MUH1PCHM389A](#) [UES1106](#) [GS2K-LTP](#)