



MICROCHIP

**UCS1002 and PIC16F1503
Reference Design**

Note the following details of the code protection feature on Microchip devices:

- Microchip products meet the specification contained in their particular Microchip Data Sheet.
- Microchip believes that its family of products is one of the most secure families of its kind on the market today, when used in the intended manner and under normal conditions.
- There are dishonest and possibly illegal methods used to breach the code protection feature. All of these methods, to our knowledge, require using the Microchip products in a manner outside the operating specifications contained in Microchip's Data Sheets. Most likely, the person doing so is engaged in theft of intellectual property.
- Microchip is willing to work with the customer who is concerned about the integrity of their code.
- Neither Microchip nor any other semiconductor manufacturer can guarantee the security of their code. Code protection does not mean that we are guaranteeing the product as "unbreakable."

Code protection is constantly evolving. We at Microchip are committed to continuously improving the code protection features of our products. Attempts to break Microchip's code protection feature may be a violation of the Digital Millennium Copyright Act. If such acts allow unauthorized access to your software or other copyrighted work, you may have a right to sue for relief under that Act.

Information contained in this publication regarding device applications and the like is provided only for your convenience and may be superseded by updates. It is your responsibility to ensure that your application meets with your specifications. MICROCHIP MAKES NO REPRESENTATIONS OR WARRANTIES OF ANY KIND WHETHER EXPRESS OR IMPLIED, WRITTEN OR ORAL, STATUTORY OR OTHERWISE, RELATED TO THE INFORMATION, INCLUDING BUT NOT LIMITED TO ITS CONDITION, QUALITY, PERFORMANCE, MERCHANTABILITY OR FITNESS FOR PURPOSE. Microchip disclaims all liability arising from this information and its use. Use of Microchip devices in life support and/or safety applications is entirely at the buyer's risk, and the buyer agrees to defend, indemnify and hold harmless Microchip from any and all damages, claims, suits, or expenses resulting from such use. No licenses are conveyed, implicitly or otherwise, under any Microchip intellectual property rights.

Trademarks

The Microchip name and logo, the Microchip logo, dsPIC, FlashFlex, flexPWR, JukeBlox, KEELOQ, KEELOQ logo, Kleer, LANCheck, MediaLB, MOST, MOST logo, MPLAB, OptoLyzer, PIC, PICSTART, PIC³² logo, RightTouch, SpyNIC, SST, SST Logo, SuperFlash and UNI/O are registered trademarks of Microchip Technology Incorporated in the U.S.A. and other countries.

The Embedded Control Solutions Company and mTouch are registered trademarks of Microchip Technology Incorporated in the U.S.A.

Analog-for-the-Digital Age, BodyCom, chipKIT, chipKIT logo, CodeGuard, dsPICDEM, dsPICDEM.net, ECAN, In-Circuit Serial Programming, ICSP, Inter-Chip Connectivity, KleerNet, KleerNet logo, MiWi, MPASM, MPF, MPLAB Certified logo, MPLIB, MPLINK, MultiTRAK, NetDetach, Omniscient Code Generation, PICDEM, PICDEM.net, PICkit, PICtail, RightTouch logo, REAL ICE, SQI, Serial Quad I/O, Total Endurance, TSHARC, USBCheck, VariSense, ViewSpan, WiperLock, Wireless DNA, and ZENA are trademarks of Microchip Technology Incorporated in the U.S.A. and other countries.

SQTP is a service mark of Microchip Technology Incorporated in the U.S.A.

Silicon Storage Technology is a registered trademark of Microchip Technology Inc. in other countries.

GestIC is a registered trademarks of Microchip Technology Germany II GmbH & Co. KG, a subsidiary of Microchip Technology Inc., in other countries.

All other trademarks mentioned herein are property of their respective companies.

© 2014, Microchip Technology Incorporated, Printed in the U.S.A., All Rights Reserved.

ISBN: 978-1-63276-643-4

QUALITY MANAGEMENT SYSTEM
CERTIFIED BY DNV
== ISO/TS 16949 ==

Microchip received ISO/TS-16949:2009 certification for its worldwide headquarters, design and wafer fabrication facilities in Chandler and Tempe, Arizona; Gresham, Oregon and design centers in California and India. The Company's quality system processes and procedures are for its PIC[®] MCUs and dsPIC[®] DSCs, KEELOQ[®] code hopping devices, Serial EEPROMs, microperipherals, nonvolatile memory and analog products. In addition, Microchip's quality system for the design and manufacture of development systems is ISO 9001:2000 certified.

Table of Contents

Preface	5
Introduction.....	5
Document Layout	5
Conventions Used in this Guide	6
Recommended Reading.....	7
The Microchip Web Site	7
Customer Support	7
Document Revision History	7
 Chapter 1. Product Overview	
1.1 Introduction	8
1.2 What does the UCS1002 and PIC16F1503 Reference Design kit include? ...	8
1.3 Getting started	9
 Chapter 2. Hardware Description	
2.1 Overview	10
2.2 Power Supply	11
2.3 PIC16F1503 DEBUG support (optional)	11
2.4 UCS1002 Pin Configuration	12
 Appendix A. Schematic and Layouts	
A.1 Introduction	13
A.2 Board – Schematic – UCS1002, PIC16F1503 and Power Supply	14
A.3 Board – Schematic – Second Charging Path with UCS1002 (optional)	15
A.4 Board – Top Silk	16
A.5 Board – Top Silk and Copper	16
A.6 Board – Top Copper	17
A.7 Board – Inner Plane 1 – GROUND	17
A.8 Board – Inner Plane 2 – POWER	18
A.9 Board – Bottom Copper	18
A.10 Board – Bottom Copper and Silk	19
A.11 Board – Bottom Silk	19
 Appendix B. Bill of Materials (BOM)	
Worldwide Sales and Service	24

UCS1002 and PIC16F1503 Reference Design

Object of Declaration: UCS1002 and PIC16F1503 Reference Design

EU Declaration of Conformity

Manufacturer: Microchip Technology Inc.
2355 W. Chandler Blvd.
Chandler, Arizona, 85224-6199
USA

This declaration of conformity is issued by the manufacturer.

The development/evaluation tool is designed to be used for research and development in a laboratory environment. This development/evaluation tool is not a Finished Appliance, nor is it intended for incorporation into Finished Appliances that are made commercially available as single functional units to end users under EU EMC Directive 2004/108/EC and as supported by the European Commission's Guide for the EMC Directive 2004/108/EC (8th February 2010).

This development/evaluation tool complies with EU RoHS2 Directive 2011/65/EU.

This development/evaluation tool, when incorporating wireless and radio-telecom functionality, is in compliance with the essential requirement and other relevant provisions of the R&TTE Directive 1999/5/EC and the FCC rules as stated in the declaration of conformity provided in the module datasheet and the module product page available at www.microchip.com.

For information regarding the exclusive, limited warranties applicable to Microchip products, please see Microchip's standard terms and conditions of sale, which are printed on our sales documentation and available at www.microchip.com.

Signed for and on behalf of Microchip Technology Inc. at Chandler, Arizona, USA


Derek Carlson
VP Development Tools

12-Sep-14
Date

Preface

NOTICE TO CUSTOMERS

All documentation becomes dated, and this manual is no exception. Microchip tools and documentation are constantly evolving to meet customer needs, so some actual dialogs and/or tool descriptions may differ from those in this document. Please refer to our web site (www.microchip.com) to obtain the latest documentation available.

Documents are identified with a “DS” number. This number is located on the bottom of each page, in front of the page number. The numbering convention for the DS number is “DSXXXXXXXXA”, where “XXXXXXXX” is the document number and “A” is the revision level of the document.

For the most up-to-date information on development tools, see the MPLAB® IDE online help. Select the Help menu, and then Topics to open a list of available online help files.

INTRODUCTION

This chapter contains general information that will be useful to know before using the UCS1002 and PIC16F1503 Reference Design. Items discussed in this chapter include:

- Document Layout
- Conventions Used in this Guide
- Recommended Reading
- The Microchip Web Site
- Customer Support
- Document Revision History

DOCUMENT LAYOUT

This document describes how to use the UCS1002 and PIC16F1503 Reference Design. The manual layout is as follows:

- **Chapter 1. “Product Overview”** – Important information about the UCS1002 and PIC16F1503 Reference Design. Includes a Getting Started section that describes the connections to the power supply and the Portable Device.
- **Chapter 2. “Hardware Description”** – Includes details about the components of the USB charger.
- **Appendix A. “Schematic and Layouts”** – Shows the schematic and layout diagrams.
- **Appendix B. “Bill of Materials (BOM)”** – Lists the parts used to build the UCS1002 and PIC16F1503 Reference Design.

UCS1002 and PIC16F1503 Reference Design

CONVENTIONS USED IN THIS GUIDE

This manual uses the following documentation conventions:

DOCUMENTATION CONVENTIONS

Description	Represents	Examples
Arial font:		
Italic characters	Referenced books	<i>MPLAB[®] IDE User's Guide</i>
	Emphasized text	...is the <i>only</i> compiler...
Initial caps	A window	the Output window
	A dialog	the Settings dialog
	A menu selection	select Enable Programmer
Quotes	A field name in a window or dialog	"Save project before build"
Underlined, italic text with right angle bracket	A menu path	<u><i>File>Save</i></u>
Bold characters	A dialog button	Click OK
	A tab	Click the Power tab
N'Rnnnn	A number in verilog format, where N is the total number of digits, R is the radix and n is a digit.	4'b0010, 2'hF1
Text in angle brackets < >	A key on the keyboard	Press <Enter>, <F1>
Courier New font:		
Plain Courier New	Sample source code	#define START
	Filenames	autoexec.bat
	File paths	c:\mcc18\h
	Keywords	_asm, _endasm, static
	Command-line options	-Opa+, -Opa-
	Bit values	0, 1
	Constants	0xFF, 'A'
Italic Courier New	A variable argument	<i>file.o</i> , where <i>file</i> can be any valid filename
Square brackets []	Optional arguments	mcc18 [options] <i>file</i> [options]
Curly brackets and pipe character: { }	Choice of mutually exclusive arguments; an OR selection	errorlevel {0 1}
Ellipses...	Replaces repeated text	var_name [, var_name...]
	Represents code supplied by user	void main (void) { ... }

RECOMMENDED READING

This user's guide describes how to use the UCS1002 and PIC16F1503 Reference Design. Other useful documents are listed below. The following Microchip documents are available and recommended as supplemental reference resources.

- **UCS1002-2 Data Sheet - “Programmable USB Port Power Controller with Charger Emulation” (Rev.1.4 - 7-16-2013)**

This data sheet provides detailed information regarding the UCS1002 device.

- **PIC16F1503 Data Sheet - “14-Pin Flash, 8-bit Microcontroller” (DS40001607)**

This data sheet provides detailed information regarding the PIC16F1503 device.

- **AN1827 – “UCS1002 Highest Current Algorithm Using a PIC[®] Microcontroller” (DS20001827A)**

This application note provides information on the firmware programmed in PIC16F1503.

THE MICROCHIP WEB SITE

Microchip provides online support via our web site at www.microchip.com. This web site is used as a means to make files and information easily available to customers. Accessible by using your favorite Internet browser, the web site contains the following information:

- **Product Support** – Data sheets and errata, application notes and sample programs, design resources, user's guides and hardware support documents, latest software releases and archived software
- **General Technical Support** – Frequently Asked Questions (FAQs), technical support requests, online discussion groups, Microchip consultant program member listing
- **Business of Microchip** – Product selector and ordering guides, latest Microchip press releases, listing of seminars and events, listings of Microchip sales offices, distributors and factory representatives

CUSTOMER SUPPORT

Users of Microchip products can receive assistance through several channels:

- Distributor or Representative
- Local Sales Office
- Field Application Engineer (FAE)
- Technical Support

Customers should contact their distributor, representative or field application engineer (FAE) for support. Local sales offices are also available to help customers. A listing of sales offices and locations is included in the back of this document.

Technical support is available through the web site at:

<http://www.microchip.com/support>.

DOCUMENT REVISION HISTORY

Revision A (September 2014)

- Initial Release of this Document.

Chapter 1. Product Overview

1.1 INTRODUCTION

This UCS1002 and PIC16F1503 Reference Design is a fully functional universal serial bus (USB) charger compatible with a large variety of portable devices.

The UCS1002 programmable port-power controller can deliver up to 2.5A charging current. Features like current monitoring and programmable charger emulation profiles make it a good candidate to be used with a PIC[®] Microcontroller for intelligent USB charging solutions.

The algorithm implemented in the PIC microcontroller applies multiple charger emulation profiles and selects the one that provides the highest current to the attached device. For more information regarding the code, refer to AN1827 – "UCS1002 Highest Current Algorithm Using a PIC[®] Microcontroller" (DS20001827A).

The board can be powered from 5V directly or through the MCP16323 Synchronous Buck Regulator that allows 6-18V input.

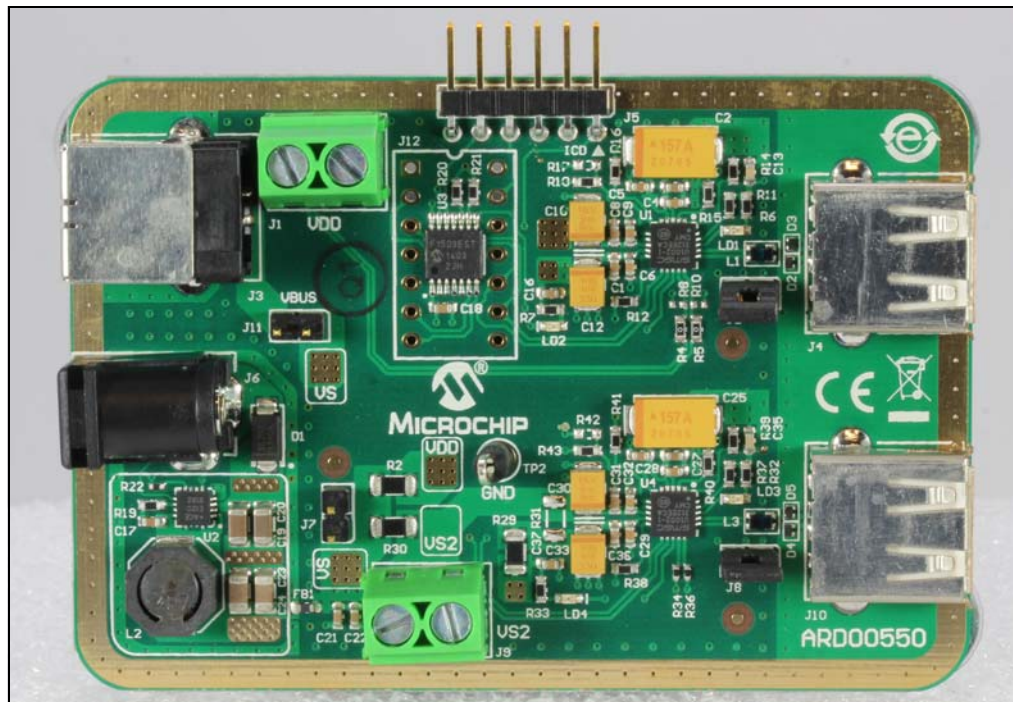


FIGURE 1-1: UCS1002 and PIC16F1503 Reference Design.

1.2 WHAT DOES THE UCS1002 AND PIC16F1503 REFERENCE DESIGN KIT INCLUDE?

This UCS1002 and PIC16F1503 Reference Design kit includes:

- UCS1002 and PIC16F1503 Reference Design (ARD00550)
- AC Power Adapter (AC cable not included), 12V DC output
- Important Information Sheet

1.3 GETTING STARTED

Depending on the available DC supply, the board has a variety of powering options. One of the following options can be used:

- External power supply 6-18V DC on J6 jack connector. J11 must be unpopulated.
- External power supply 5V DC on J9, J1 or J7. J11 must be unpopulated.
- If the USB host can supply enough current for charging, then the external power supply is not required and J11 must be populated.

J2 jumper must be populated to provide power to the corresponding USB connector (J4). A current probe or a multimeter can be connected to J2 header for monitoring the charging current and the voltage close to the USB connector.

After the proper jumper configurations are set and power is turned on, the portable device to be charged can be plugged into the USB connector J4. The green LED (LD1) turns on, confirming the attach detection.

The board comes with the PIC16F1503 microcontroller programmed with a firmware version that communicates with only one of the two UCS1002 devices on the board (U1 on the schematic, with the corresponding USB connector J4). The other path available on the board (containing the components U4, J8 and J10) can be enabled by changing the I²C™ address of the UCS1002 in the firmware and reprogramming the MCU via the J5 ICSP connector.

Chapter 2. Hardware Description

2.1 OVERVIEW

Figure 2-1 and Figure 2-2 show the main hardware components and the block diagram of the UCS1002 and PIC16F1503 Reference Design.

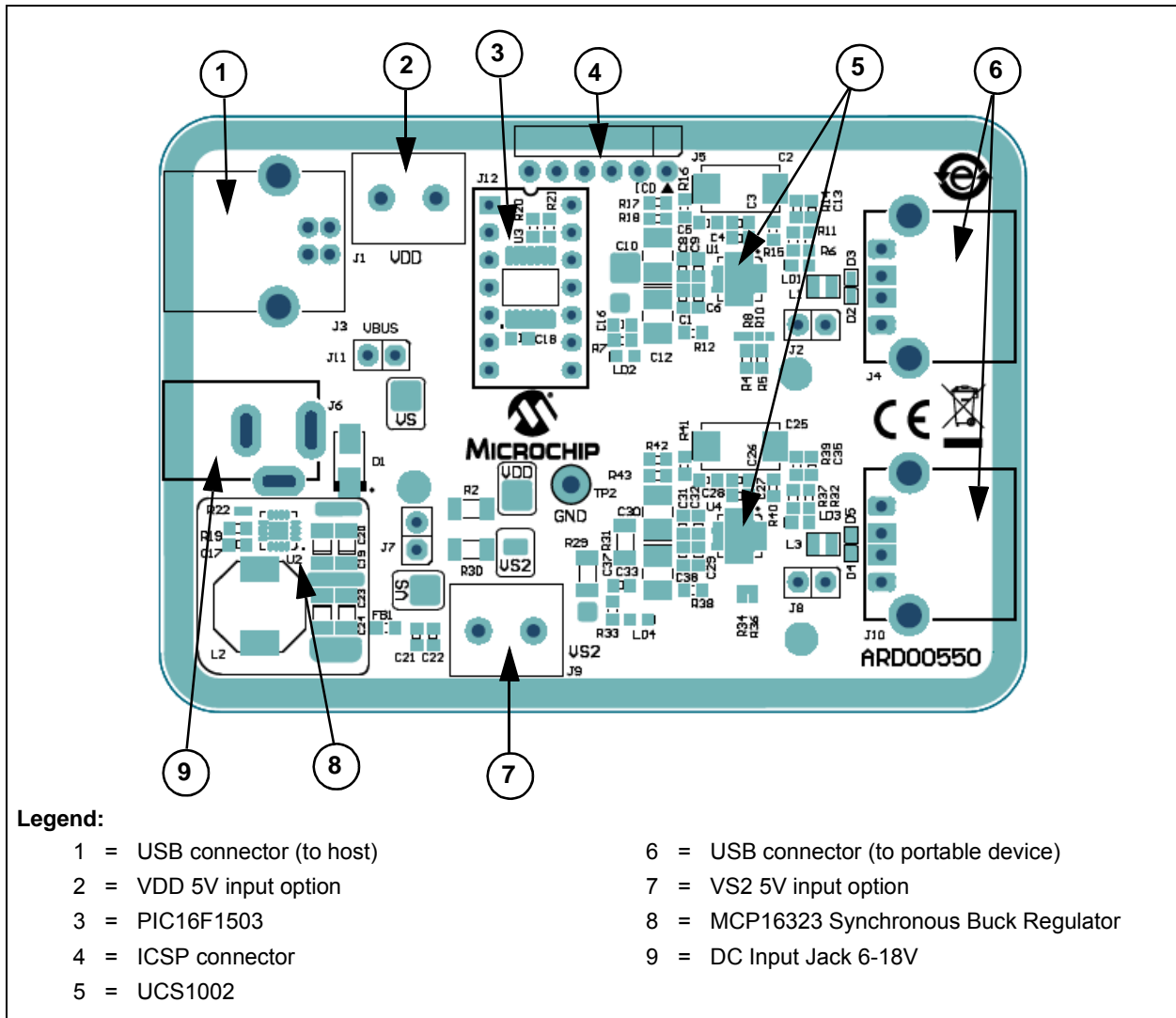


FIGURE 2-1: Top View - Main Hardware Components.

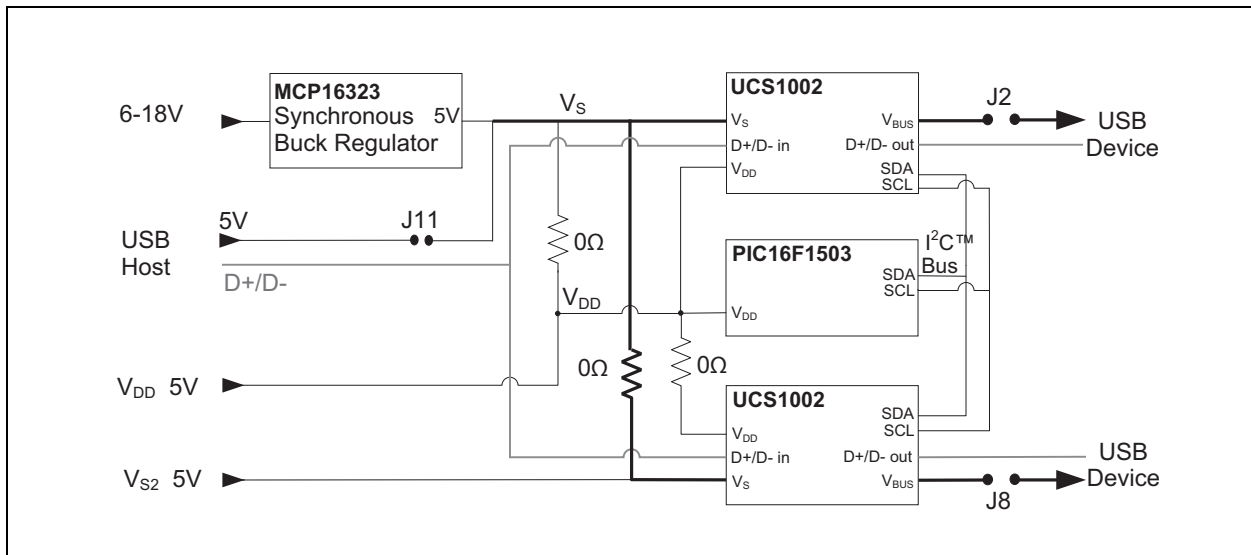


FIGURE 2-2: Block Diagram.

2.2 POWER SUPPLY

The board can be powered directly from a 5V DC supply or via the MCP16323 High-Efficiency Synchronous Buck Regulator, allowing input voltages from 6V to 18V DC and output currents up to 3A at 5V.

Note: Because of the space constraints, the power dissipation is limited, and the maximum output current is lower than 3A.

The UCS1002 and PIC16F1503 Reference Design is designed with a split 5V supply:

- V_S is input for the Power Switch of the UCS1002 device
- V_{DD} is the main power supply to the PIC MCU and to UCS1002 (chip functionality)

The board comes with the R2, R29 and R30 (all with 0Ω values) populated, so V_{DD} and V_S traces for the two UCS1002 are connected.

2.3 PIC16F1503 DEBUG SUPPORT (OPTIONAL)

The PIC16F1503 has no built-in debug circuitry. It requires the AC244051 external header for debug support.

In order to use the in-circuit debug feature provided by the external header, these steps must be followed:

1. Remove the PIC16F1503 from the board.
2. Populate the 14-pin DIP socket on the board (J12). The DIP socket is not included in the UCS1002 and PIC16F1503 Reference Design kit.
3. Connect the external debug header to the DIP socket through the gold pins headers provided in the AC244051 kit.

For more information on AC244051 debug header, refer to the latest “Processor Extension Pack and Header Specification” (DS51292) document.

UCS1002 and PIC16F1503 Reference Design

2.4 UCS1002 PIN CONFIGURATION

The UCS1002 device is configured to work in SMBus mode, with maximum hardware current limit setting (2500 mA). The proper value pull-down resistor connected to COMM_SEL/I_{LIM} pin can be drawn from **Section 4.1 - “Operating Mode”** in the UCS1002 data sheet. In this case, the value is 33 kΩ.

PWR_EN polarity is set to active high and the SMBus addresses for the two UCS1002 devices on the board are the following (refer to Table 4.2 - “SEL Pin Decode” in the data sheet):

- U1 - Address 33h: pull-down resistor value of 47 kΩ
- U4 - Address 30h: pull-down resistor value of 82 kΩ

The addresses specified above represent the hexadecimal value of the seven bits shown in the table (without the RD/WR indicator bit).

The UCS1002 device is configured in Dedicated Charger Emulation by setting the following logic states on M1, M2 and EM_EN pins (see Table 9.1 - “Active Mode Selection” in the data sheet):

M1	M2	EM_EN	Active Mode
0	0	1	Dedicated Charger Emulation Cycle

The PWR_EN pin that controls the port power switch in Active state is set to a logic-high state (active). When the board is powered up, the microcontroller sets the PIN_IGNORE configuration bit in the UCS1002. This determines the PWR_EN to be controlled by the microcontroller via SMBus communication. As a result, the status of the PWR_EN pin is ignored by the UCS1002 device.

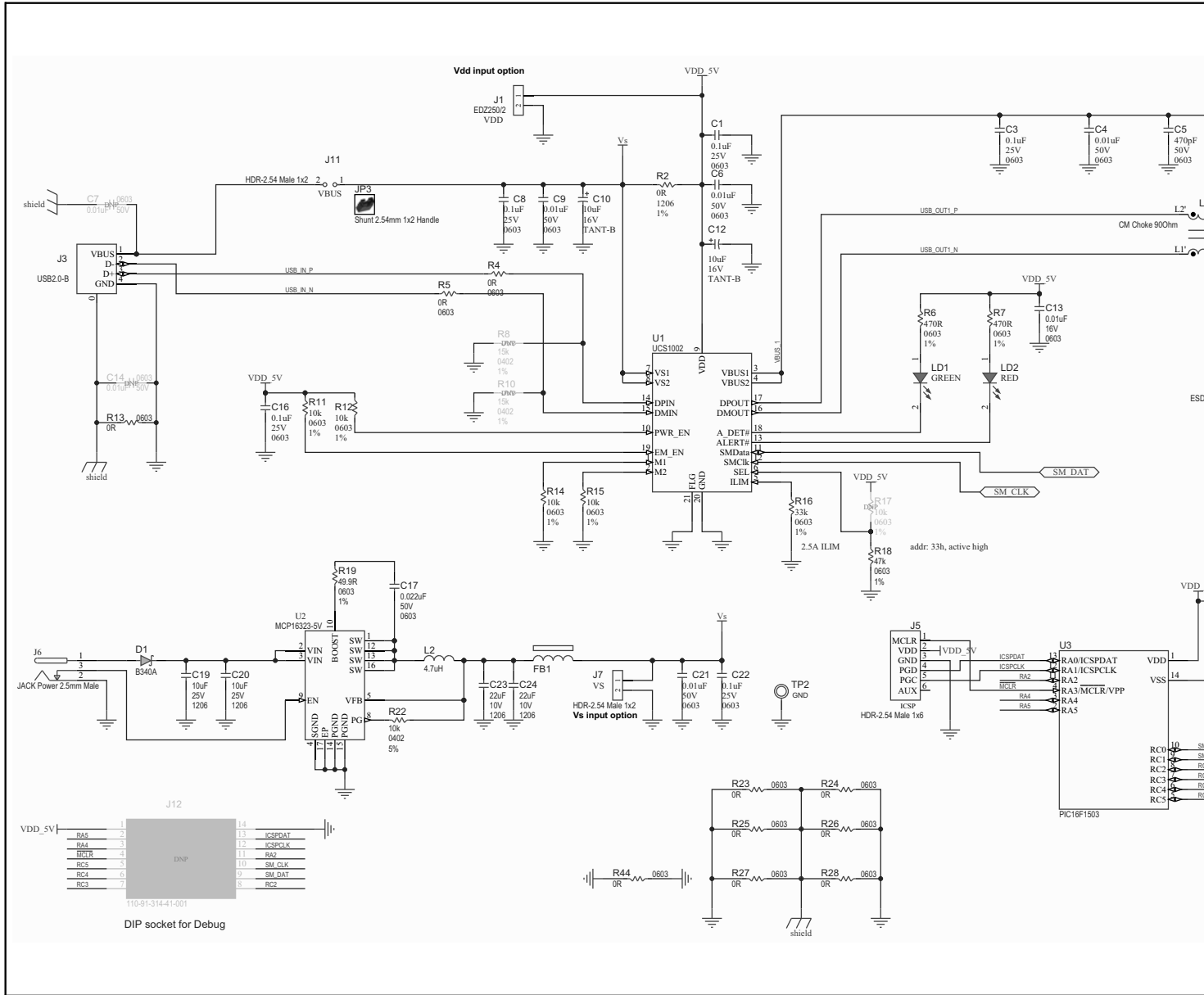
Appendix A. Schematic and Layouts

A.1 INTRODUCTION

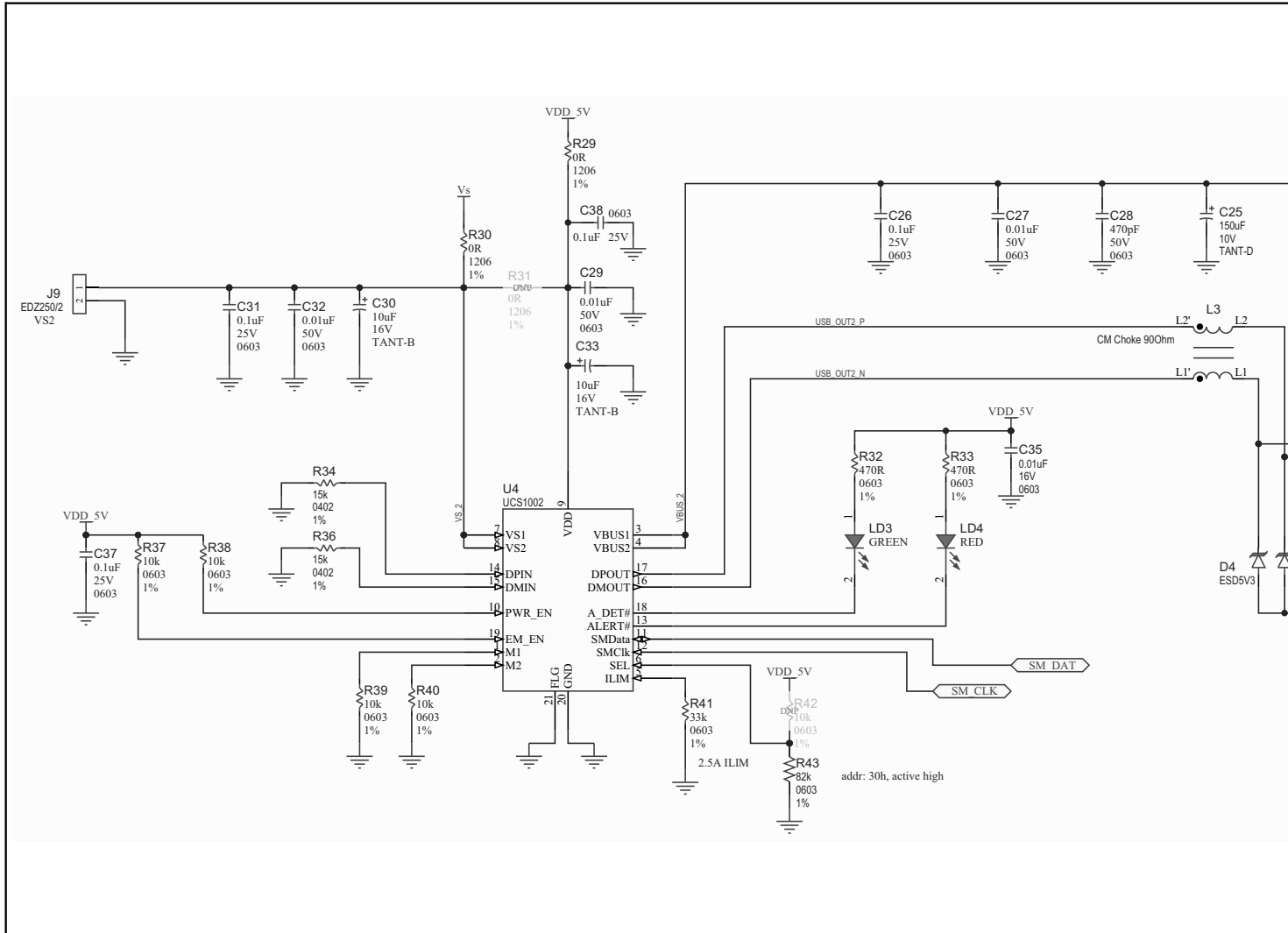
This appendix contains the following schematics and layouts for the UCS1002 and PIC16F1503 Reference Design:

- Board – Schematic – UCS1002, PIC16F1503 and Power Supply
- Board – Schematic – Second Charging Path with UCS1002 (optional)
- Board – Top Silk
- Board – Top Silk and Copper
- Board – Top Copper
- Board – Inner Plane 1 – GROUND
- Board – Inner Plane 2 – POWER
- Board – Bottom Copper
- Board – Bottom Copper and Silk
- Board – Bottom Silk

A.2 BOARD – SCHEMATIC – UCS1002, PIC16F1503 AND POWER SUPPLY

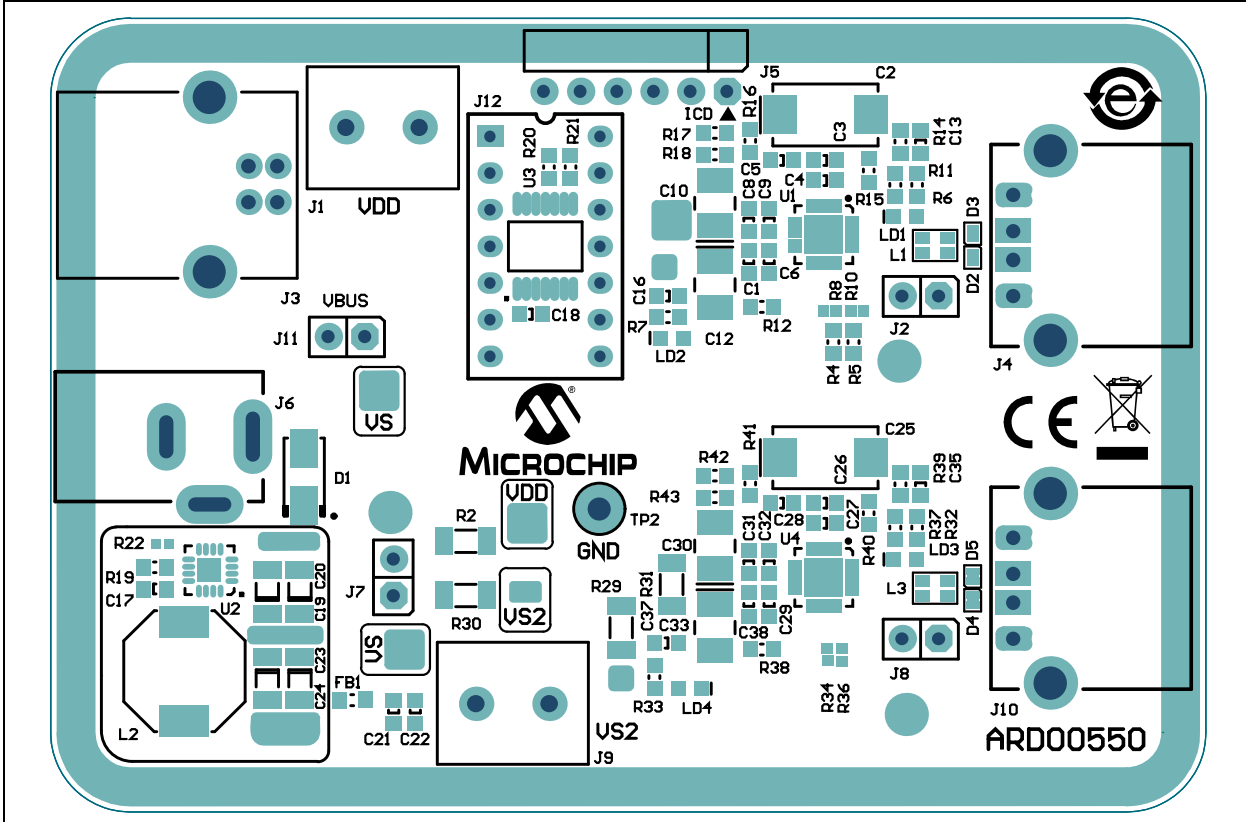


A.3 BOARD – SCHEMATIC – SECOND CHARGING PATH WITH UCS1002 (OPTIONAL)

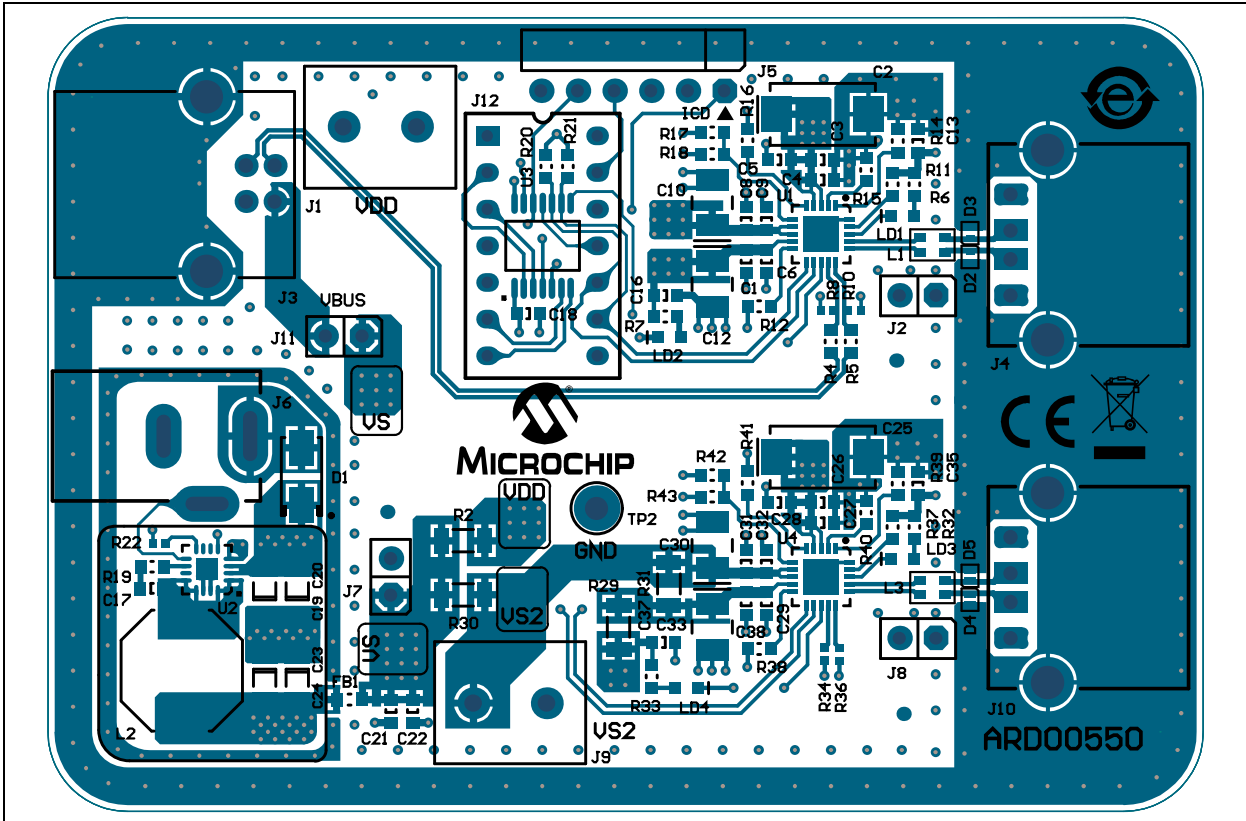


UCS1002 and PIC16F1503 Reference Design

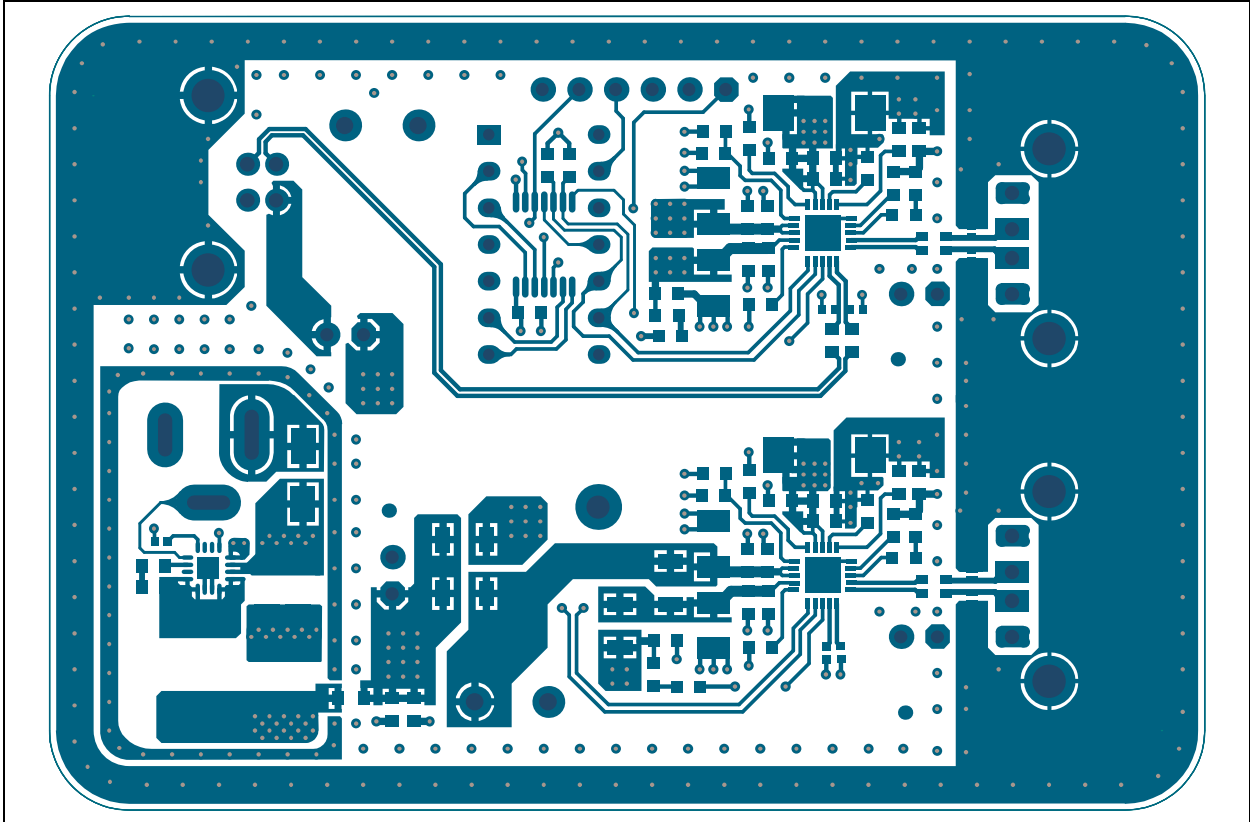
A.4 BOARD – TOP SILK



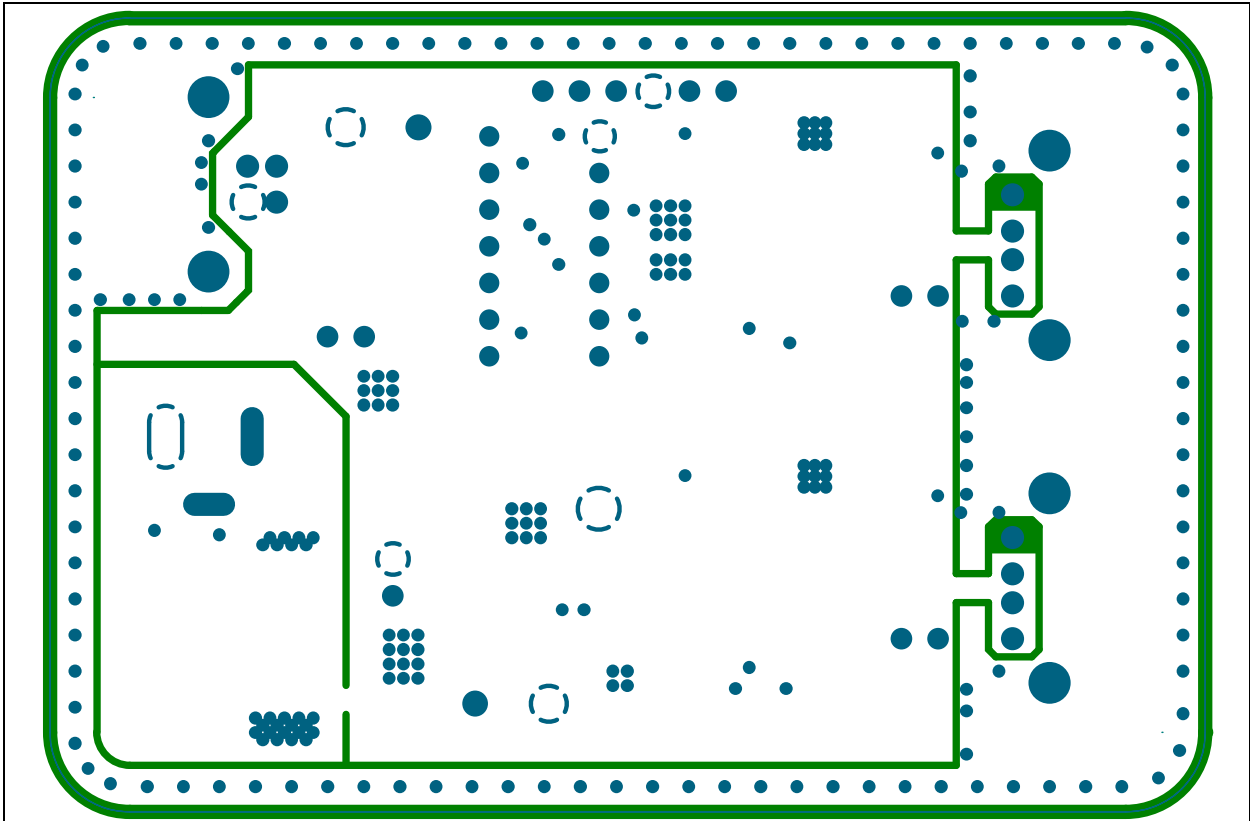
A.5 BOARD – TOP SILK AND COPPER



A.6 BOARD – TOP COPPER

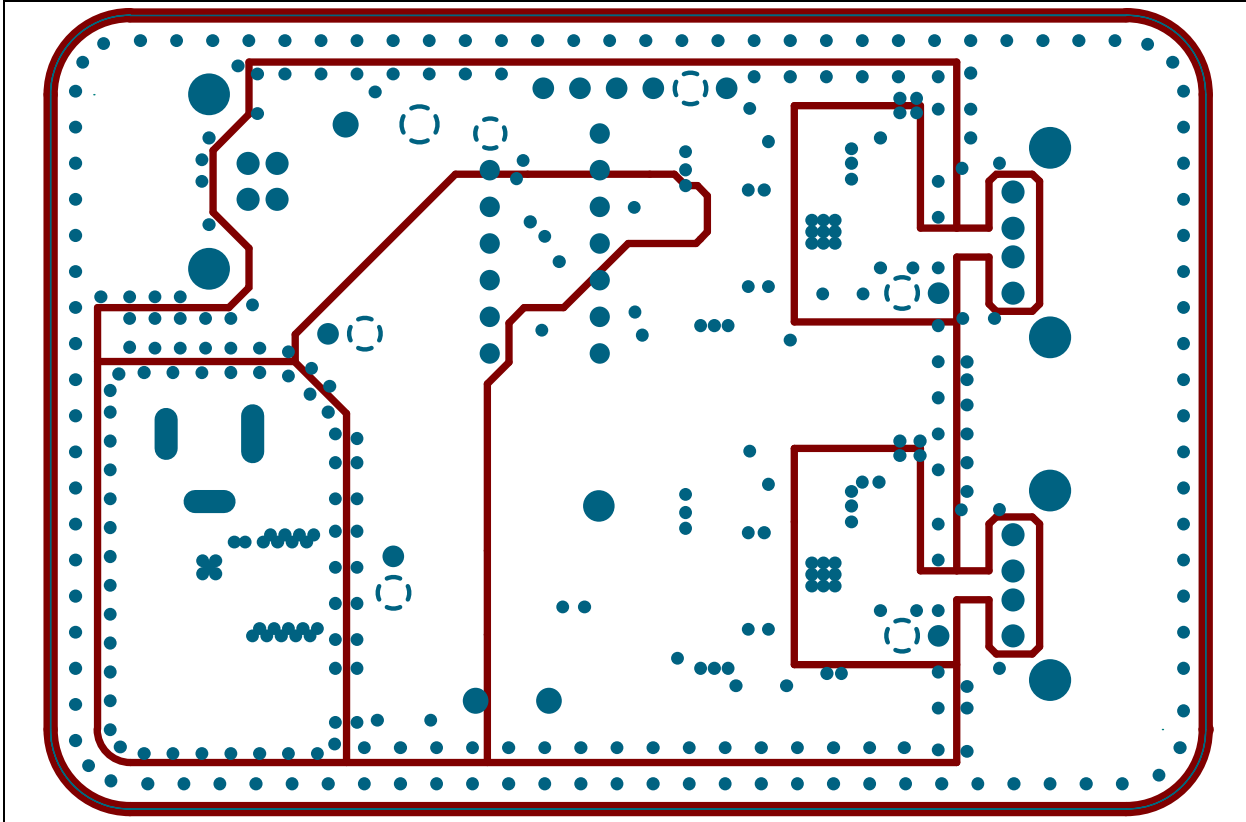


A.7 BOARD – INNER PLANE 1 – GROUND

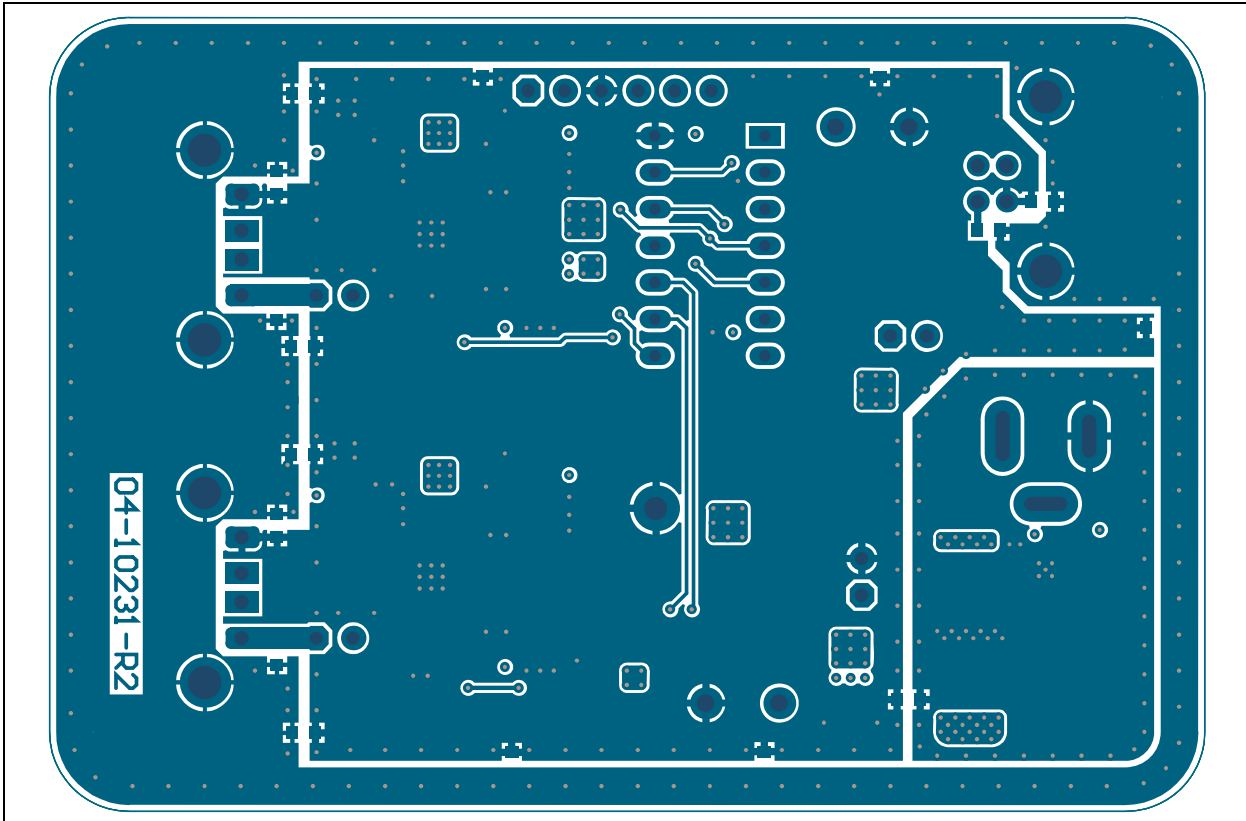


UCS1002 and PIC16F1503 Reference Design

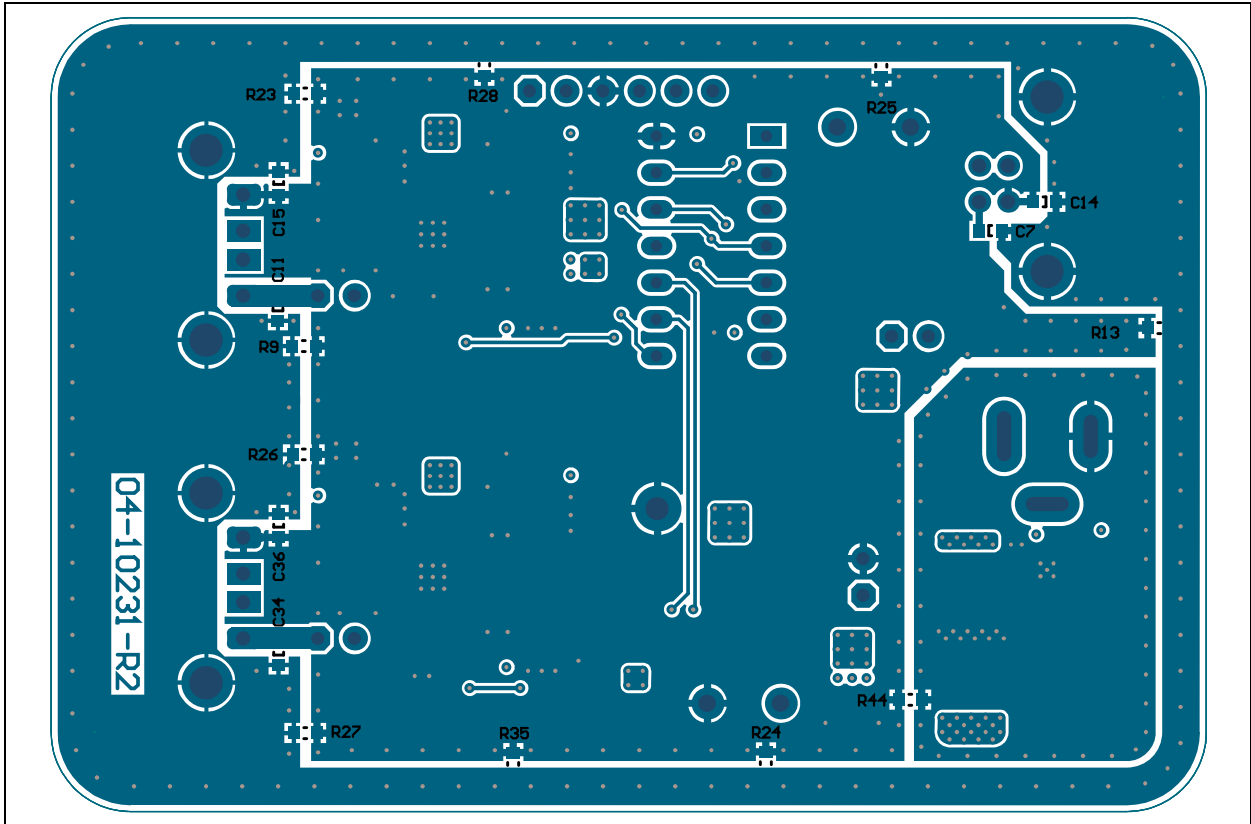
A.8 BOARD – INNER PLANE 2 – POWER



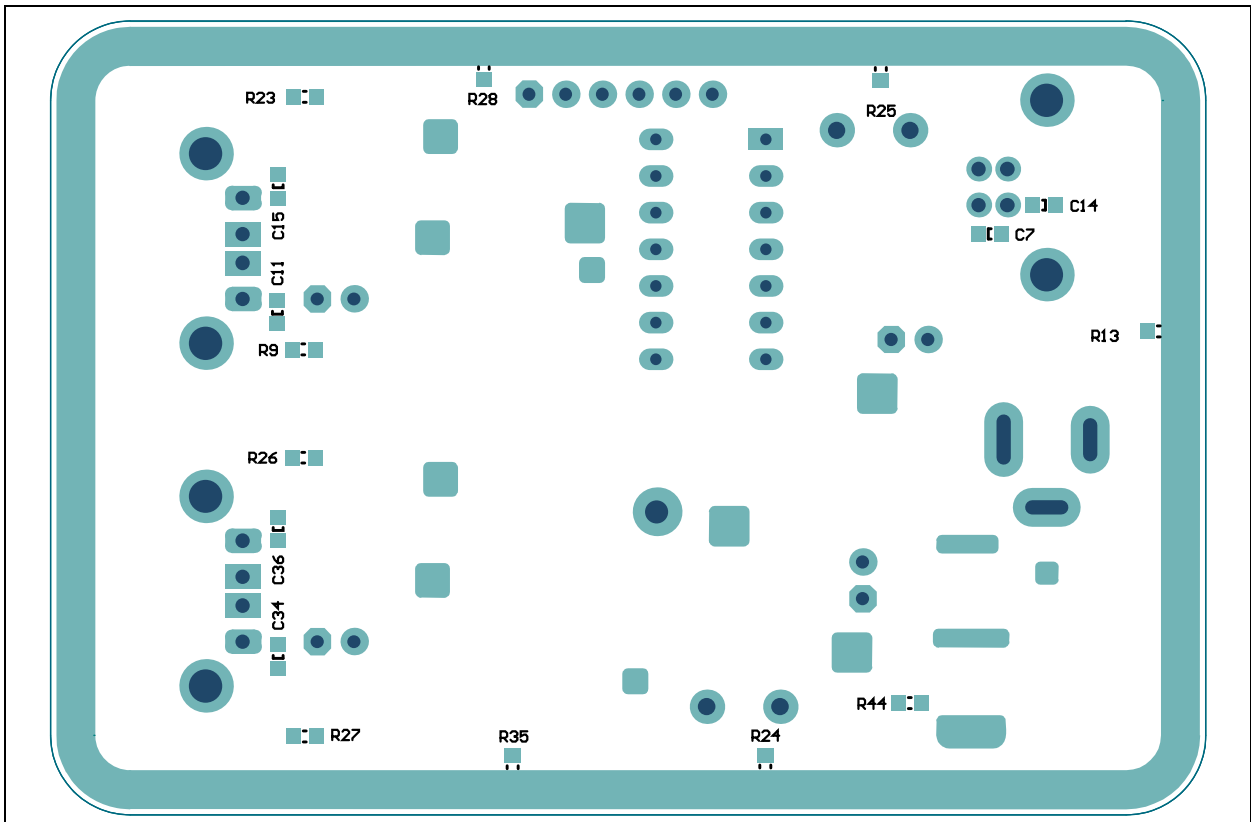
A.9 BOARD – BOTTOM COPPER



A.10 BOARD – BOTTOM COPPER AND SILK



A.11 BOARD – BOTTOM SILK



Appendix B. Bill of Materials (BOM)

TABLE B-1: BILL OF MATERIALS (BOM)

Qty.	Reference	Description	Manufacturer	Part Number
10	C1, C3, C8, C16, C18, C22, C26, C31, C37, C38	Cap. ceramic 0.1 µF 25V 20% X7R SMD 0603	KEMET®	C0603C104M3RACTU
2	C2, C25	Cap. Tant. 150 µF 10V 10% 100 mOhm SMD D	AVX Corporation	TPSD157K010R0100
7	C4, C6, C9, C21, C27, C29, C32	Cap. ceramic 0.01 µF 50V 20% X7R SMD 0603	KEMET	C0603C103M5RAC
2	C5, C28	Cap. ceramic 470 pF 50V 10% X7R SMD 0603	Johanson Dielectrics	500R14W471KV4T
0	C7, C11, C14, C15, C34, C36	Cap. ceramic 0.01 µF 50V 20% X7R SMD 0603 – DO NOT POPULATE	KEMET	C0603C103M5RAC
4	C10, C12, C30, C33	Cap. ceramic 10 µF 16V 10% 2.8 Ohm SMD B	KEMET	T491B106K016AS
2	C13, C35	Cap. ceramic 0.01 µF 16V 10% X7R SMD 0603	Panasonic® - ECG	ECJ-1VB1C103K
1	C17	Cap. ceramic 0.022 µF 50V 10% X7R SMD 0603	TDK Corporation	C1608X7R1H223K
2	C19, C20	Cap. ceramic 10 µF 25V 10% X7R SMD 1206	Taiyo Yuden Co., Ltd.	TMK316B7106KL-TD
2	C23, C24	Cap. ceramic 22 µF 10V 10% X7R SMD 1206	Samsung Electro-Mechanics America, Inc.	CL31B226KPHNNNE
1	D1	Diode Sctky B340A 500 mV 3A 40V DO-214AC_SMA	Diodes® Incorporated	B340A-13-F
4	D2, D3, D4, D5	Diode TVS Unidir. ESD5V3U1U 5.3V SMD SOD-882	Infineon Technologies AG	ESD5V3U1U-02LRH E6327
1	FB1	Ferrite 6A 0.007R SMD 0603	Murata Electronics®	BLM18KG260TN1D
2	J1, J9	Conn. terminal 5.08 mm 15A Female 1x2 TH R/A	On-Shore Technology, Inc.	EDZ250/2
4	J2, J7, J8, J11	Conn. header 2.54 Male 1x2 Gold 5.84MH TH VERT	FCI	68001-202HLF
1	J3	Conn. USB 2.0 STD-B Female TH R/A	Tyco Electronics (TE Connectivity)	292304-1
2	J4, J10	Conn. USB 2.0 STD-A Female TH R/A	FCI	87520-0010BLF
1	J5	Conn. header 2.54 Male 1x6 Gold 5.84MH TH R/A	FCI	68016-106HLF
1	J6	Conn. power jack male 2.5 mm 16V 2.5A TH R/A	CUI Inc	PJ-002B

Note 1: The components listed in this Bill of Materials are representative of the PCB assembly. The released BOM used in manufacturing uses all RoHS-compliant components.

Bill of Materials (BOM)

TABLE B-1: BILL OF MATERIALS (BOM) (CONTINUED)

Qty.	Reference	Description	Manufacturer	Part Number
0	J12	Socket IC Push Dip 14 TH – DO NOT POPULATE	Mill-Max Mfg. Corporation	110-93-314-41-001
2	JP1=J2, JP2=J8	Mech. HW Jumper 2.54mm 1x2 Handle Gold	TE Connectivity, Ltd.	881545-2
0	JP3	Jumper 2.54 mm 1x2 Handle Gold – DO NOT POPULATE	TE Connectivity, Ltd.	881545-2
2	L1, L3	Inductor Choke Common Mode 90 Ohm 0805	Murata Electronics	DLW21HN900SQ2L
1	L2	Inductor 4.7 μ H 4.6A SMD L8W8H4.3	Bourns®, Inc.	SRU8043-4R7Y
2	LD1, LD3	Diode LED Green 2.1V 30 mA 6mcd Clear SMD 0603	Lite-On® Technology Corporation	LTST-C190GKT
2	LD2, LD4	Diode LED Red 1.8V 40 mA 10mcd Clear SMD 0603	Lite-On Technology Corporation	LTST-C190KRKT
	PCB	Printed Circuit Board – UCS1002 and PIC16F1503 Reference Design	—	104-00231
1	Plugs onto J6	AC Power Adapter Transformer Desktop 12V 18W	SL Power Electronics	MENB1020A1203F01
3	R2, R29, R30	Res. 0R 1% 1/4W SMD 1206	TT Electronics Plc.	WCR1206-R005JI
12	R4, R5, R9, R13, R23, R24, R25, R26, R27, R28, R35, R44	Res. TKF 0R 1/10W SMD 0603	NIC Components Corp.	NRC06Z0TRF
4	R6, R7, R32, R33	Res. TKF 470R 1% 1/10W SMD 0603	Yageo Corporation	RC0603FR-07470RL
0	R8, R10	Res. TKF 15k 1% 1/10W SMD 0402 – DO NOT POPULATE	Panasonic - ECG	ERJ-2RKF1502X
8	R11, R12, R14, R15, R37, R38, R39, R40	Res. TKF 10k 1% 1/10W SMD 0603	Vishay Intertechnology, Inc.	CRCW060310K0FKEA
2	R16, R41	Res. TKF 33k 1% 1/10W SMD 0603	Stackpole Electronics, Inc.	RMCF0603FT33K0
0	R17, R42	Res. TKF 10k 1% 1/10W SMD 0603 – DO NOT POPULATE	Vishay Intertechnology, Inc.	CRCW060310K0FKEA
1	R18	Res. TKF 47k 1% 1/10W SMD 0603	Stackpole Electronics, Inc.	RMCF 1/16 47K 1% R
1	R19	Res. TKF 49.9R 1% 1/10W SMD 0603	Panasonic - ECG	ERJ-3EKF49R9V
2	R20, R21	Res. TKF 4.99k 1% 1/10W SMD 0603	Yageo Corporation	9C06031A4991FKHFT
1	R22	Res. TKF 10k 5% 1/10W SMD 0402	Panasonic - ECG	ERJ-2GEJ103X
0	R31	Res. 0R 1% 1/4W SMD 1206 – DO NOT POPULATE	TT Electronics Plc.	WCR1206-R005JI
2	R34, R36	Res. TKF 15k 1% 1/10W SMD 0402	Panasonic - ECG	ERJ-2RKF1502X
1	R43	Res. 82K OHM 1/10W 1% 0603 SMD	Panasonic - ECG	ERJ-3EKF8202V
1	TP2	Conn. TP Loop Black TH	Keystone Electronics Corp.	5011

Note 1: The components listed in this Bill of Materials are representative of the PCB assembly. The released BOM used in manufacturing uses all RoHS-compliant components.

UCS1002 and PIC16F1503 Reference Design

TABLE B-1: BILL OF MATERIALS (BOM) (CONTINUED)

Qty.	Reference	Description	Manufacturer	Part Number
2	U1, U4	IC USB Port Power Controller UCS1002 QFN-20	Microchip Technology Inc.	UCS1002-2-BP-TR
1	U2	Analog Switcher 3A Buck 5V MCP16323T-500E/NG QFN-16	Microchip Technology Inc.	MCP16323T-500E/NG
1	U3	MCU 8-BIT 20 MHz 3.5 kB 128B PIC16F1503T-E/ST TSSOP-14	Microchip Technology Inc.	PIC16F1503T-E/ST

Note 1: The components listed in this Bill of Materials are representative of the PCB assembly. The released BOM used in manufacturing uses all RoHS-compliant components.

Bill of Materials (BOM)

NOTES:



MICROCHIP

Worldwide Sales and Service

AMERICAS

Corporate Office
2355 West Chandler Blvd.
Chandler, AZ 85224-6199
Tel: 480-792-7200
Fax: 480-792-7277
Technical Support:
<http://www.microchip.com/support>
Web Address:
www.microchip.com

Atlanta
Duluth, GA
Tel: 678-957-9614
Fax: 678-957-1455

Austin, TX
Tel: 512-257-3370

Boston
Westborough, MA
Tel: 774-760-0087
Fax: 774-760-0088

Chicago
Itasca, IL
Tel: 630-285-0071
Fax: 630-285-0075

Cleveland
Independence, OH
Tel: 216-447-0464
Fax: 216-447-0643

Dallas
Addison, TX
Tel: 972-818-7423
Fax: 972-818-2924

Detroit
Novi, MI
Tel: 248-848-4000

Houston, TX
Tel: 281-894-5983

Indianapolis
Noblesville, IN
Tel: 317-773-8323
Fax: 317-773-5453

Los Angeles
Mission Viejo, CA
Tel: 949-462-9523
Fax: 949-462-9608

New York, NY
Tel: 631-435-6000

San Jose, CA
Tel: 408-735-9110

Canada - Toronto
Tel: 905-673-0699
Fax: 905-673-6509

ASIA/PACIFIC

Asia Pacific Office
Suites 3707-14, 37th Floor
Tower 6, The Gateway
Harbour City, Kowloon
Hong Kong
Tel: 852-2943-5100
Fax: 852-2401-3431

Australia - Sydney
Tel: 61-2-9868-6733
Fax: 61-2-9868-6755

China - Beijing
Tel: 86-10-8569-7000
Fax: 86-10-8528-2104

China - Chengdu
Tel: 86-28-8665-5511
Fax: 86-28-8665-7889

China - Chongqing
Tel: 86-23-8980-9588
Fax: 86-23-8980-9500

China - Hangzhou
Tel: 86-571-8792-8115
Fax: 86-571-8792-8116

China - Hong Kong SAR
Tel: 852-2943-5100
Fax: 852-2401-3431

China - Nanjing
Tel: 86-25-8473-2460
Fax: 86-25-8473-2470

China - Qingdao
Tel: 86-532-8502-7355
Fax: 86-532-8502-7205

China - Shanghai
Tel: 86-21-5407-5533
Fax: 86-21-5407-5066

China - Shenyang
Tel: 86-24-2334-2829
Fax: 86-24-2334-2393

China - Shenzhen
Tel: 86-755-8864-2200
Fax: 86-755-8203-1760

China - Wuhan
Tel: 86-27-5980-5300
Fax: 86-27-5980-5118

China - Xian
Tel: 86-29-8833-7252
Fax: 86-29-8833-7256

China - Xiamen
Tel: 86-592-2388138
Fax: 86-592-2388130

China - Zhuhai
Tel: 86-756-3210040
Fax: 86-756-3210049

ASIA/PACIFIC

India - Bangalore
Tel: 91-80-3090-4444
Fax: 91-80-3090-4123

India - New Delhi
Tel: 91-11-4160-8631
Fax: 91-11-4160-8632

India - Pune
Tel: 91-20-3019-1500

Japan - Osaka
Tel: 81-6-6152-7160
Fax: 81-6-6152-9310

Japan - Tokyo
Tel: 81-3-6880-3770
Fax: 81-3-6880-3771

Korea - Daegu
Tel: 82-53-744-4301
Fax: 82-53-744-4302

Korea - Seoul
Tel: 82-2-554-7200
Fax: 82-2-558-5932 or
82-2-558-5934

Malaysia - Kuala Lumpur
Tel: 60-3-6201-9857
Fax: 60-3-6201-9859

Malaysia - Penang
Tel: 60-4-227-8870
Fax: 60-4-227-4068

Philippines - Manila
Tel: 63-2-634-9065
Fax: 63-2-634-9069

Singapore
Tel: 65-6334-8870
Fax: 65-6334-8850

Taiwan - Hsin Chu
Tel: 886-3-5778-366
Fax: 886-3-5770-955

Taiwan - Kaohsiung
Tel: 886-7-213-7830

Taiwan - Taipei
Tel: 886-2-2508-8600
Fax: 886-2-2508-0102

Thailand - Bangkok
Tel: 66-2-694-1351
Fax: 66-2-694-1350

EUROPE

Austria - Wels
Tel: 43-7242-2244-39
Fax: 43-7242-2244-393

Denmark - Copenhagen
Tel: 45-4450-2828
Fax: 45-4485-2829

France - Paris
Tel: 33-1-69-53-63-20
Fax: 33-1-69-30-90-79

Germany - Dusseldorf
Tel: 49-2129-3766400

Germany - Munich
Tel: 49-89-627-144-0
Fax: 49-89-627-144-44

Germany - Pforzheim
Tel: 49-7231-424750

Italy - Milan
Tel: 39-0331-742611
Fax: 39-0331-466781

Italy - Venice
Tel: 39-049-7625286

Netherlands - Drunen
Tel: 31-416-690399
Fax: 31-416-690340

Poland - Warsaw
Tel: 48-22-3325737

Spain - Madrid
Tel: 34-91-708-08-90
Fax: 34-91-708-08-91

Sweden - Stockholm
Tel: 46-8-5090-4654

UK - Wokingham
Tel: 44-118-921-5800
Fax: 44-118-921-5820

03/25/14

X-ON Electronics

Largest Supplier of Electrical and Electronic Components

Click to view similar products for [Power Management IC Development Tools](#) category:

Click to view products by [Microchip](#) manufacturer:

Other Similar products are found below :

[EVB-EP5348UI](#) [MIC23451-AAAYFL EV](#) [MIC5281YMME EV](#) [124352-HMC860LP3E](#) [DA9063-EVAL](#) [ADP122-3.3-EVALZ](#) [ADP130-0.8-EVALZ](#) [ADP130-1.8-EVALZ](#) [ADP1740-1.5-EVALZ](#) [ADP1870-0.3-EVALZ](#) [ADP1874-0.3-EVALZ](#) [ADP199CB-EVALZ](#) [ADP2102-1.25-EVALZ](#) [ADP2102-1.875EVALZ](#) [ADP2102-1.8-EVALZ](#) [ADP2102-2-EVALZ](#) [ADP2102-3-EVALZ](#) [ADP2102-4-EVALZ](#) [AS3606-DB](#) [BQ25010EVM](#) [BQ3055EVM](#) [ISLUSBI2CKIT1Z](#) [LP38512TS-1.8EV](#) [EVAL-ADM1186-1MBZ](#) [EVAL-ADM1186-2MBZ](#) [ADP122UJZ-REDYKIT](#) [ADP166Z-REDYKIT](#) [ADP170-1.8-EVALZ](#) [ADP171-EVALZ](#) [ADP1853-EVALZ](#) [ADP1873-0.3-EVALZ](#) [ADP198CP-EVALZ](#) [ADP2102-1.0-EVALZ](#) [ADP2102-1-EVALZ](#) [ADP2107-1.8-EVALZ](#) [ADP5020CP-EVALZ](#) [CC-ACC-DBMX-51](#) [ATPL230A-EK](#) [MIC23250-S4YMT EV](#) [MIC26603YJL EV](#) [MIC33050-SYHL EV](#) [TPS60100EVM-131](#) [TPS65010EVM-230](#) [TPS71933-28EVM-213](#) [TPS72728YFFEVM-407](#) [TPS79318YEQEVM](#) [UCC28810EVM-002](#) [XILINXPWR-083](#) [LMR22007YMINI-EVM](#) [LP38501ATJ-EV](#)