



**MICROCHIP**

---

**MCP1632**  
**Single-Cell Li-Ion**  
**Battery Charger Demo Board**  
**User's Guide**

---

**Note the following details of the code protection feature on Microchip devices:**

- Microchip products meet the specification contained in their particular Microchip Data Sheet.
- Microchip believes that its family of products is one of the most secure families of its kind on the market today, when used in the intended manner and under normal conditions.
- There are dishonest and possibly illegal methods used to breach the code protection feature. All of these methods, to our knowledge, require using the Microchip products in a manner outside the operating specifications contained in Microchip's Data Sheets. Most likely, the person doing so is engaged in theft of intellectual property.
- Microchip is willing to work with the customer who is concerned about the integrity of their code.
- Neither Microchip nor any other semiconductor manufacturer can guarantee the security of their code. Code protection does not mean that we are guaranteeing the product as "unbreakable."

Code protection is constantly evolving. We at Microchip are committed to continuously improving the code protection features of our products. Attempts to break Microchip's code protection feature may be a violation of the Digital Millennium Copyright Act. If such acts allow unauthorized access to your software or other copyrighted work, you may have a right to sue for relief under that Act.

---

Information contained in this publication regarding device applications and the like is provided only for your convenience and may be superseded by updates. It is your responsibility to ensure that your application meets with your specifications. MICROCHIP MAKES NO REPRESENTATIONS OR WARRANTIES OF ANY KIND WHETHER EXPRESS OR IMPLIED, WRITTEN OR ORAL, STATUTORY OR OTHERWISE, RELATED TO THE INFORMATION, INCLUDING BUT NOT LIMITED TO ITS CONDITION, QUALITY, PERFORMANCE, MERCHANTABILITY OR FITNESS FOR PURPOSE. Microchip disclaims all liability arising from this information and its use. Use of Microchip devices in life support and/or safety applications is entirely at the buyer's risk, and the buyer agrees to defend, indemnify and hold harmless Microchip from any and all damages, claims, suits, or expenses resulting from such use. No licenses are conveyed, implicitly or otherwise, under any Microchip intellectual property rights.

**Trademarks**

The Microchip name and logo, the Microchip logo, dsPIC, FlashFlex, flexPWR, JukeBlox, KEELOQ, KEELOQ logo, Kleer, LANCheck, MediaLB, MOST, MOST logo, MPLAB, OptoLyzer, PIC, PICSTART, PIC<sup>32</sup> logo, RightTouch, SpyNIC, SST, SST Logo, SuperFlash and UNI/O are registered trademarks of Microchip Technology Incorporated in the U.S.A. and other countries.

The Embedded Control Solutions Company and mTouch are registered trademarks of Microchip Technology Incorporated in the U.S.A.

Analog-for-the-Digital Age, BodyCom, chipKIT, chipKIT logo, CodeGuard, dsPICDEM, dsPICDEM.net, ECAN, In-Circuit Serial Programming, ICSP, Inter-Chip Connectivity, KleerNet, KleerNet logo, MiWi, MPASM, MPF, MPLAB Certified logo, MPLIB, MPLINK, MultiTRAK, NetDetach, Omniscient Code Generation, PICDEM, PICDEM.net, PICkit, PICtail, RightTouch logo, REAL ICE, SQI, Serial Quad I/O, Total Endurance, TSHARC, USBCheck, VariSense, ViewSpan, WiperLock, Wireless DNA, and ZENA are trademarks of Microchip Technology Incorporated in the U.S.A. and other countries.

SQTP is a service mark of Microchip Technology Incorporated in the U.S.A.

Silicon Storage Technology is a registered trademark of Microchip Technology Inc. in other countries.

GestIC is a registered trademarks of Microchip Technology Germany II GmbH & Co. KG, a subsidiary of Microchip Technology Inc., in other countries.

All other trademarks mentioned herein are property of their respective companies.

© 2014, Microchip Technology Incorporated, Printed in the U.S.A., All Rights Reserved.

ISBN: 978-1-63276-756-1

**QUALITY MANAGEMENT SYSTEM**  
**CERTIFIED BY DNV**  
**== ISO/TS 16949 ==**

*Microchip received ISO/TS-16949:2009 certification for its worldwide headquarters, design and wafer fabrication facilities in Chandler and Tempe, Arizona; Gresham, Oregon and design centers in California and India. The Company's quality system processes and procedures are for its PIC<sup>®</sup> MCUs and dsPIC<sup>®</sup> DSCs, KEELOQ<sup>®</sup> code hopping devices, Serial EEPROMs, microperipherals, nonvolatile memory and analog products. In addition, Microchip's quality system for the design and manufacture of development systems is ISO 9001:2000 certified.*

**Object of Declaration: MCP1632 Single-Cell Li-Ion Battery Charger Demo Board**

EU Declaration of Conformity

Manufacturer: Microchip Technology Inc.  
2355 W. Chandler Blvd.  
Chandler, Arizona, 85224-6199  
USA

This declaration of conformity is issued by the manufacturer.

The development/evaluation tool is designed to be used for research and development in a laboratory environment. This development/evaluation tool is not a Finished Appliance, nor is it intended for incorporation into Finished Appliances that are made commercially available as single functional units to end users under EU EMC Directive 2004/108/EC and as supported by the European Commission's Guide for the EMC Directive 2004/108/EC (8<sup>th</sup> February 2010).

This development/evaluation tool complies with EU RoHS2 Directive 2011/65/EU.

This development/evaluation tool, when incorporating wireless and radio-telecom functionality, is in compliance with the essential requirement and other relevant provisions of the R&TTE Directive 1999/5/EC and the FCC rules as stated in the declaration of conformity provided in the module datasheet and the module product page available at [www.microchip.com](http://www.microchip.com).

For information regarding the exclusive, limited warranties applicable to Microchip products, please see Microchip's standard terms and conditions of sale, which are printed on our sales documentation and available at [www.microchip.com](http://www.microchip.com).

Signed for and on behalf of Microchip Technology Inc. at Chandler, Arizona, USA

  
Derek Carlson  
VP Development Tools

12-Sep-14  
Date



# MCP1632 SINGLE-CELL LI-ION BATTERY CHARGER DEMO BOARD USER'S GUIDE

## Table of Contents

<b>Preface</b> .....	<b>5</b>
Introduction.....	5
Document Layout .....	5
Conventions Used in this Guide .....	6
Recommended Reading.....	7
The Microchip Web Site .....	7
Customer Support .....	7
Revision History .....	7
<b>Chapter 1. Product Overview</b>	
1.1 Introduction .....	9
1.2 Board Features .....	9
1.3 Device Summary .....	9
1.4 Technical Specifications .....	10
1.5 Functional Description .....	10
1.6 What Does the MCP1632 Single-Cell Li-Ion Battery Charger Demo Board Include? .....	11
<b>Chapter 2. Installation and Operation</b>	
2.1 Getting Started .....	13
2.1.1 Additional Components Required for Operation .....	13
2.2 Setup Procedure .....	13
2.2.1 Demo Board Output Current Configuration .....	13
2.2.2 Connecting the Single-Cell Battery .....	14
2.2.3 Powering the Board .....	14
2.2.4 Using the Reference Board .....	14
2.3 Evaluating the Application .....	15
2.4 Firmware description .....	15
2.4.1 Main Loop Description .....	16
2.4.2 State Machine Description .....	17
<b>Appendix A. Schematic and Layouts</b>	
A.1 Introduction .....	21
A.2 Board – Schematic .....	22
A.3 Board – Top Silk .....	23
A.4 Board – Top Copper and Silk .....	24
A.5 Board – Top Copper .....	25
A.6 Board – Bottom Copper .....	26
A.7 Board – Bottom Copper and Silk .....	27
<b>Appendix B. Bill of Materials (BOM)</b>	
<b>Worldwide Sales and Service</b> .....	<b>32</b>



# MCP1632 SINGLE-CELL LI-ION BATTERY CHARGER DEMO BOARD USER'S GUIDE

---

---

## Preface

---

---

### NOTICE TO CUSTOMERS

All documentation becomes dated, and this manual is no exception. Microchip tools and documentation are constantly evolving to meet customer needs, so some actual dialogs and/or tool descriptions may differ from those in this document. Please refer to our web site ([www.microchip.com](http://www.microchip.com)) to obtain the latest documentation available.

Documents are identified with a “DS” number. This number is located on the bottom of each page, in front of the page number. The numbering convention for the DS number is “DSXXXXXXXXA”, where “XXXXXXXX” is the document number and “A” is the revision level of the document.

For the most up-to-date information on development tools, see the MPLAB® IDE online help. Select the Help menu, and then Topics to open a list of available online help files.

## INTRODUCTION

This chapter contains general information that will be useful to know before using the MCP1632 Single-Cell Li-Ion Battery Charger Demo Board. Items discussed in this chapter include:

- Document Layout
- Conventions Used in this Guide
- Recommended Reading
- Recommended Reading
- The Microchip Web Site
- Customer Support
- Customer Support
- Revision History

## DOCUMENT LAYOUT

This document describes how to use the MCP1632 Single-Cell Li-Ion Battery Charger Demo Board as a development tool to emulate and debug firmware on a target board, as well as how to program devices. The document is organized as follows:

- **Chapter 1. “Product Overview”** – Important information about the MCP1632 Single-Cell Li-Ion Battery Charger Demo Board.
- **Chapter 2. “Installation and Operation”** – Includes instructions on how to get started with this user’s guide and a description of the user’s guide.
- **Appendix A. “Schematic and Layouts”** – Shows the schematic and layout diagrams for the MCP1632 Single-Cell Li-Ion Battery Charger Demo Board.
- **Appendix B. “Bill of Materials (BOM)”** – Lists the parts used to build the MCP1632 Single-Cell Li-Ion Battery Charger Demo Board.

# MCP1632 Single-Cell Li-Ion Battery Charger Demo Board User's Guide

## CONVENTIONS USED IN THIS GUIDE

This manual uses the following documentation conventions:

### DOCUMENTATION CONVENTIONS

Description	Represents	Examples
<b>Arial font:</b>		
Italic characters	Referenced books	<i>MPLAB<sup>®</sup> IDE User's Guide</i>
	Emphasized text	...is the <i>only</i> compiler...
Initial caps	A window	the Output window
	A dialog	the Settings dialog
	A menu selection	select Enable Programmer
Quotes	A field name in a window or dialog	"Save project before build"
Underlined, italic text with right angle bracket	A menu path	<u><i>File&gt;Save</i></u>
Bold characters	A dialog button	Click <b>OK</b>
	A tab	Click the <b>Power</b> tab
N'Rnnnn	A number in verilog format, where N is the total number of digits, R is the radix and n is a digit.	4'b0010, 2'hF1
Text in angle brackets < >	A key on the keyboard	Press <Enter>, <F1>
<b>Courier New font:</b>		
Plain Courier New	Sample source code	#define START
	Filenames	autoexec.bat
	File paths	c:\mcc18\h
	Keywords	_asm, _endasm, static
	Command-line options	-Opa+, -Opa-
	Bit values	0, 1
	Constants	0xFF, 'A'
Italic Courier New	A variable argument	<i>file.o</i> , where <i>file</i> can be any valid filename
Square brackets [ ]	Optional arguments	mcc18 [options] <i>file</i> [options]
Curly brackets and pipe character: {   }	Choice of mutually exclusive arguments; an OR selection	errorlevel {0 1}
Ellipses...	Replaces repeated text	var_name [, var_name...]
	Represents code supplied by user	void main (void) { ... }

## RECOMMENDED READING

This user's guide describes how to use the MCP1632 Single-Cell Li-Ion Battery Charger Demo Board. Other useful documents are listed below. The following Microchip documents are available and recommended as supplemental reference resources.

- **MCP1632 Data Sheet – “High-Speed, Low-Side PWM Controller” (DS20005254)**

## THE MICROCHIP WEB SITE

Microchip provides online support via our web site at [www.microchip.com](http://www.microchip.com). This web site is used as a means to make files and information easily available to customers. Accessible by using your favorite Internet browser, the web site contains the following information:

- **Product Support** – Data sheets and errata, application notes and sample programs, design resources, user's guides and hardware support documents, latest software releases and archived software
- **General Technical Support** – Frequently Asked Questions (FAQs), technical support requests, online discussion groups, Microchip consultant program member listing
- **Business of Microchip** – Product selector and ordering guides, latest Microchip press releases, listing of seminars and events, listings of Microchip sales offices, distributors and factory representatives

## CUSTOMER SUPPORT

Users of Microchip products can receive assistance through several channels:

- Distributor or Representative
- Local Sales Office
- Field Application Engineer (FAE)
- Technical Support

Customers should contact their distributor, representative or field application engineer (FAE) for support. Local sales offices are also available to help customers. A listing of sales offices and locations is included in the back of this document.

Technical support is available through the web site at:

<http://www.microchip.com/support>.

## REVISION HISTORY

### Revision A (November 2014)

- Initial release of this document.

# **MCP1632 Single-Cell Li-Ion Battery Charger Demo Board User's Guide**

---

---

NOTES:



---

---

## Chapter 1. Product Overview

---

---

### 1.1 INTRODUCTION

The MCP1632 Single-Cell Li-Ion Battery Charger Demo Board is a step-up/step-down, switch-mode, DC/DC converter used for battery charging applications. The demo board provides a 4.2V constant voltage source. Other output voltages can be obtained with minor modifications to the board's Bill of Materials (BOM).

The MCP1632 Single-Cell Li-Ion Battery Charger Demo Board is an intelligent battery charging system for a single-cell Lithium-Ion battery. MCP1632 Single-Cell Li-Ion Battery Charger Demo Board utilizes Microchip's MCP1632 high-speed Pulse-Width Modulator (PWM). The 8-pin MCP1632 device contains all the analog components necessary for a peak current mode control loop including an error amplifier, PWM comparator and a high-current driver output pin.

An 8-pin PIC12F1822 microcontroller is used to implement the charging algorithm. In addition, the PIC12F1822 firmware supervises the battery voltage and current.

### 1.2 BOARD FEATURES

The MCP1632 Single-Cell Li-Ion Battery Charger Demo Board has the following features:

- Compact size, highly efficient battery charger
- Can operate in Buck (step-down) or Boost (step-up) mode
- Maximum output current: 1500 mA; can be adjusted via firmware
- Chemistry-optimized charging algorithm
- Maximum output power: 7W
- Factory-programmed source code provided
- Additional application functions can be implemented in the firmware

### 1.3 DEVICE SUMMARY

The MCP1632 Single-Cell Li-Ion Battery Charger Demo Board uses the following primary devices on the board:

- MCP1632 high-speed current mode PWM controller. – When used in conjunction with a microcontroller, the MCP1632 will control the power system duty cycle to provide output current and/or voltage regulation.
- PIC12F1822 microcontroller (8-bit MCU) – Used to implement the charging algorithm and to provide additional software functions like protections.
- MCP1703 low dropout regulator (LDO) – Used to supply regulated voltage (+5V) to the PIC12F1822 microcontroller and the MCP1632 PWM controller
- MCP6021 operational amplifier – Used for the current sensing circuit.

## 1.4 TECHNICAL SPECIFICATIONS

- Input voltage: +4.5V to +12V
- Load disconnect protection software configurable
- Typical output current: 1000 mA
- Maximum output current: 1500 mA (with firmware adjustments)
- Typical output power: 4.2W (maximum 7W at +25°C degree ambient temperature)
- Fully protected against Short-Circuit and No Load condition
- Figure 1-1 shows a simplified block diagram of the application

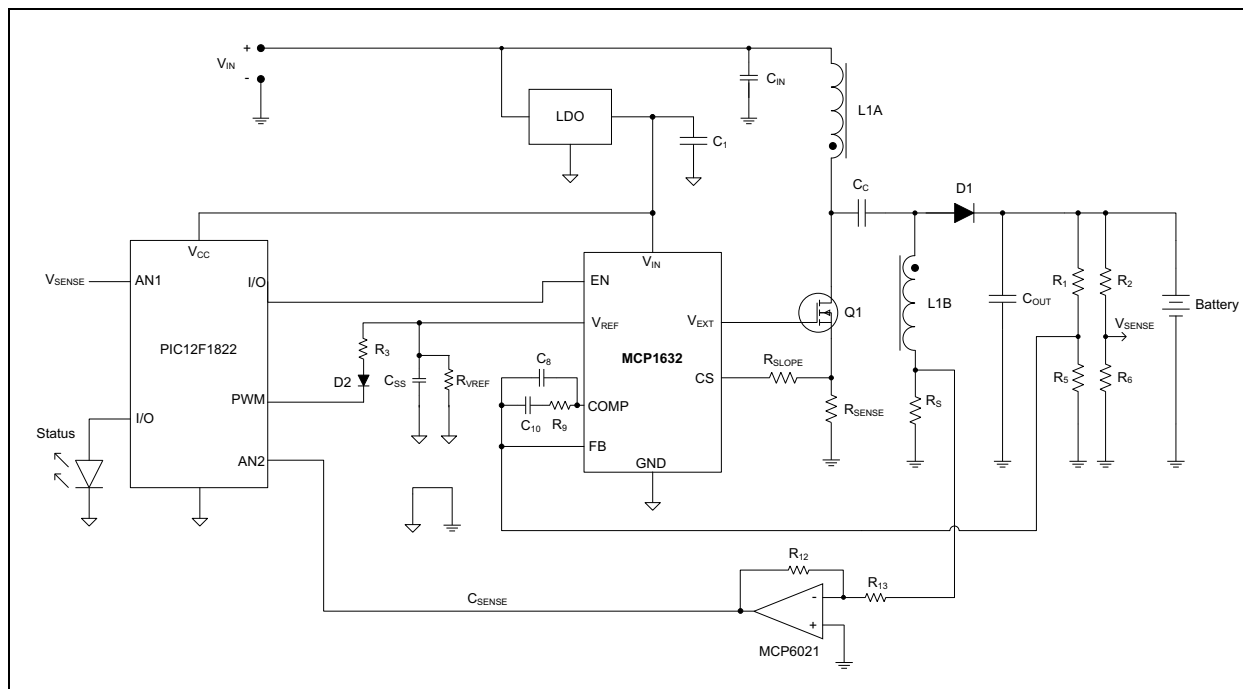


FIGURE 1-1: MCP1632 Block Diagram.

## 1.5 FUNCTIONAL DESCRIPTION

MCP1632 provides all the analog functions necessary to implement a stand-alone switch-mode power converter. When combined with an external microcontroller, the MCP1632 can be used to implement different intelligent converters like those necessary for battery chargers.

The power train of this application uses the Single-Ended Primary Inductor Converter (SEPIC) topology. This topology offers buck-boost functionality and also has non-pulsating input current.

The converter provides constant voltage with limited current at the output, necessary for certain battery charging applications (ex. Li-Ion-based batteries).

The output voltage is measured with a voltage divider resistor pair ( $R_1$ ,  $R_5$ ). This voltage must be precisely 4.2V, required by the battery chemistry.

The average current in the L1B inductor, which is also the output current of the converter, is sensed using a 0.1Ω shunt resistor ( $R_5$ ). As the voltage across the shunt resistor is negative, a -10x amplifier ( $U_3$ ) is used for battery charging current sensing. The conversion gain of this circuit is 1V/A.

The PWM output available from the PIC12F1822 microcontroller is used to control the reference voltage of the MCP1632 using the circuit created with D2 and R3 components.

Maximum output current is set by the PIC12F1822 microcontroller.

---

---

## 1.6 WHAT DOES THE MCP1632 SINGLE-CELL LI-ION BATTERY CHARGER DEMO BOARD INCLUDE?

The MCP1632 Single-Cell Li-Ion Battery Charger Demo Board includes:

- MCP1632 Single-Cell Li-Ion Battery Charger Demo Board (ARD00558)
- Information Sheet

# **MCP1632 Single Cell Li-Ion Battery Charger Demo Board User's Guide**

---

---

NOTES:

---

---

## **Chapter 2. Installation and Operation**

---

---

### **2.1 GETTING STARTED**

The MCP1632 Single-Cell Li-Ion Battery Charger Demo Board is fully assembled and tested. The board requires the use of an external input voltage source (+4.5V to +12V).

#### **2.1.1 Additional Components Required for Operation**

- A DC Power Supply. A bench supply that can produce between 4.5V and 12V, 2A is recommended to operate the board at the full rated power. A USB connector can also be used. In this case, make sure that the input current does not exceed the USB connector requirements. Note that there is no USB device enumeration mechanism on this board.
- An oscilloscope and/or multi-meter to observe waveforms and measure electrical parameters (optional).

### **2.2 SETUP PROCEDURE**

To operate the demonstration board, you need to complete the following steps:

1. Connect a power supply to the input connector J1 (observe the polarity).
2. Attach a single-cell battery to the output connector J2 (observe the polarity).
3. Press the Start/Stop Button to start the battery charging and again to stop it.

Detailed instructions are provided below for each step.

<b>WARNING</b>
----------------

Please observe the polarity for all steps to avoid board damage.
--

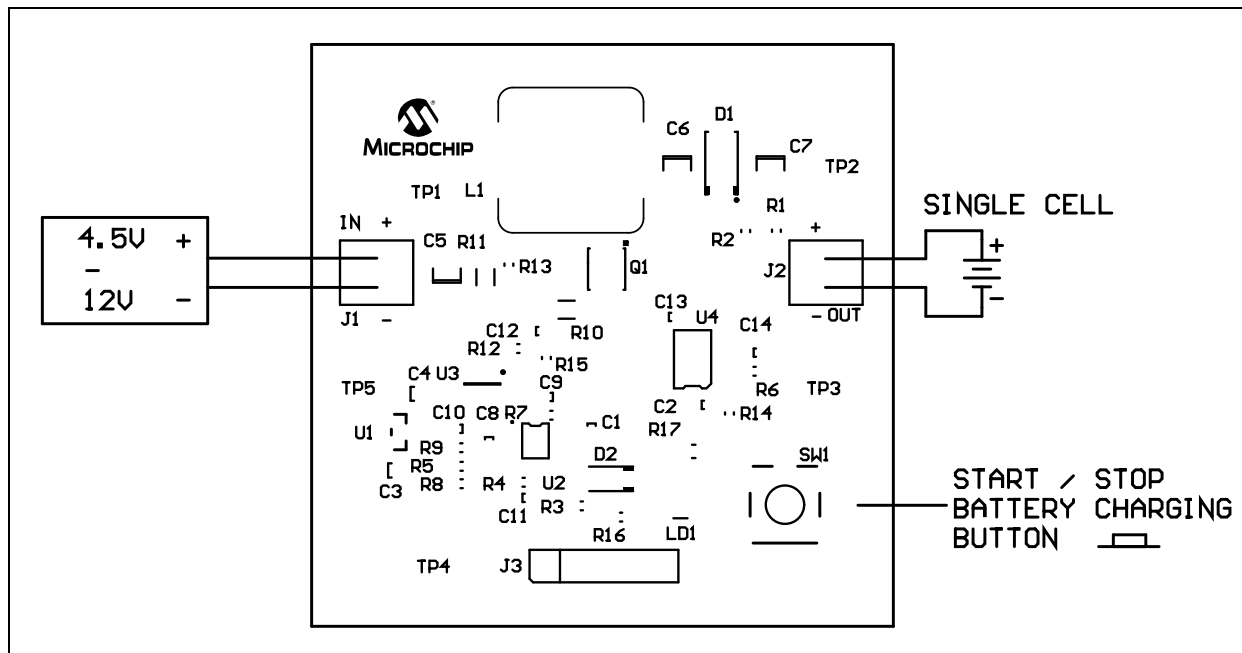
#### **2.2.1 Demo Board Output Current Configuration**

The board is configured to deliver 1000 mA to a single-cell battery. Maximum output voltage is set to approximately 4.2V.

## 2.2.2 Connecting the Single-Cell Battery

A single-cell battery can be used to evaluate the board. In this case, the power delivered to the load will be about 4.2W.

The board can charge a single-cell battery with 1000 mA as the output current. Maximum output voltage is set to 4.2V (Li-Ion specific) for the default software/hardware configuration. The output voltage can be modified with minor software/hardware modifications.



**FIGURE 2-1:** Power Supply and Load Connection Diagram.

## 2.2.3 Powering the Board

Connect a power supply to J1 to power-up the MCP1632 Single-Cell Li-Ion Battery Charger Demo Board. Ensure that the power supply has the (+) terminal connected to J2 terminal block at pin 1 (up) and (-) terminal connected to pin 2 (down). The input voltage source should be limited to the 4.5V to 12V range. Ensure that the chosen power supply can provide enough current at the selected voltage to properly charge the single-cell battery.

For 12V input voltage the current drain will be around 650 mA at full load (7W).

### WARNING

This board does not have a Thermal Shut-Down function implemented. Please ensure that the board load is properly cooled.

## 2.2.4 Using the Reference Board

The button is used to start or stop the battery charging.

Board is protected for the No-Load Condition. Typical value is +4.2 V<sub>DC</sub> for the output voltage.

**Note:** It is not recommended to operate the board without a proper load connected to output. Maximum power at the output must be limited to 7W at ambient temperature

---

---

## 2.3 EVALUATING THE APPLICATION

The best way to evaluate the MCP1632 Single-Cell Li-Ion Battery Charger Demo Board is to examine the circuit and measure voltages and currents with a Digital Voltage Meter (DVM) and probe the board with an oscilloscope.

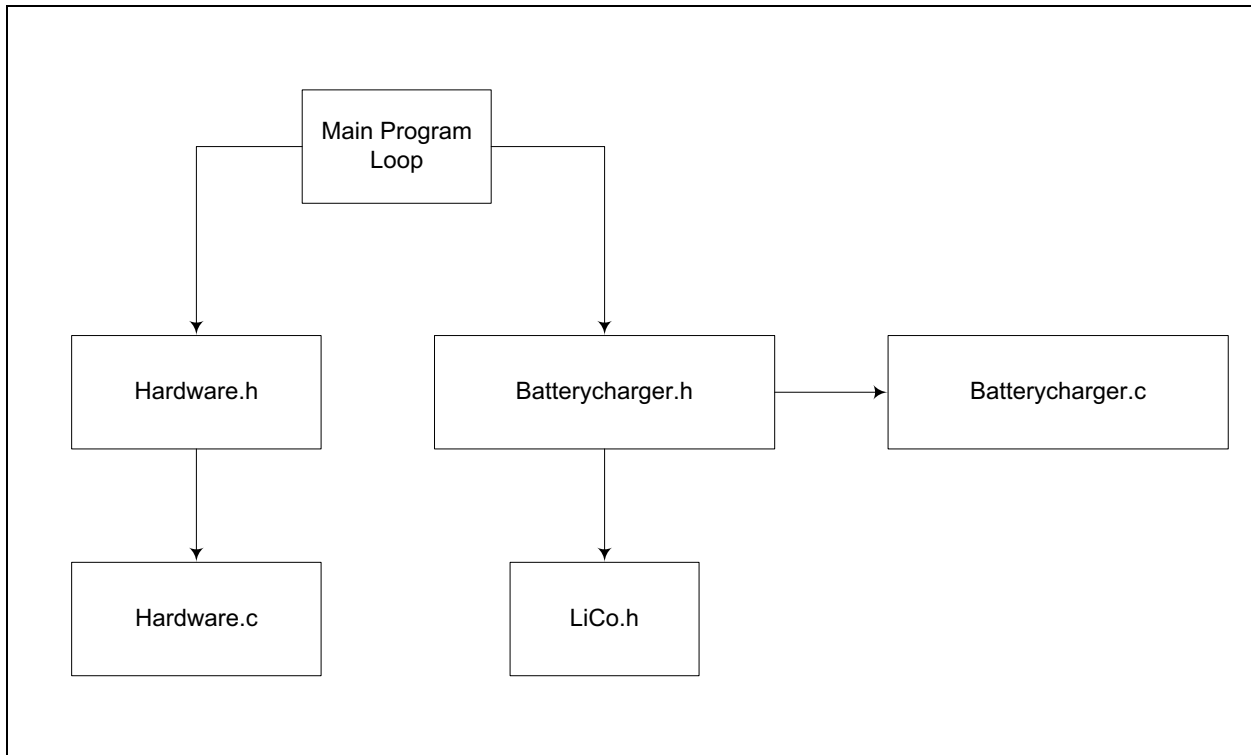
Additional tools are necessary to evaluate some technical parameters of the board (temperature of power components, ability to withstand surge voltage pulse on input, EMI).

The firmware program in the PIC12F1822 can also be edited to modify the operation of the application.

## 2.4 FIRMWARE DESCRIPTION

The PIC12F1822 comes pre-programmed with firmware to operate the system as described above. The firmware structure is shown in Figure 2-2.

The main loop controls all the voltage and current regulating functions. The battery charging state machine is only called every second and makes decisions based only on the output voltage and current values. It sets the voltage and current limit, depending on the charging state.



**FIGURE 2-2:** Library File Structure.

## 2.4.1 Main Loop Description

The charger state machine is hardware independent, so all the output regulation is done in the main loop.

Besides calling the state machine every second, different parameters and macros are required for the state machine code. All values are 12 bits (4 x 10-bit ADC readings).

$V_{SENSE}$  and  $I_{SENSE}$  contain updated values of the output voltage and current. They can be defined as macros or return functions:

- `#define VSENSE VOUT`
- `#define ISENSE IOUT`

`Set_Voltage(x)` and `Set_Current(x)` set the converter maximum output voltage and current. They can be defined as macros or functions:

- `#define Set_Voltage(x) { vref = x; }`
- `#define Set_Current(x) { iref = x; }`

`Set_Led_Blink(x)` sets the LED state and blink rate to show the current battery charging state.

`Constant_Voltage` should show whether the converter is regulating the output voltage or not. This is important for the state machine, because the minimum current and flat current charge termination should only be initiated in Constant Voltage mode.

- `#define Constant_Voltage (!cmode)`

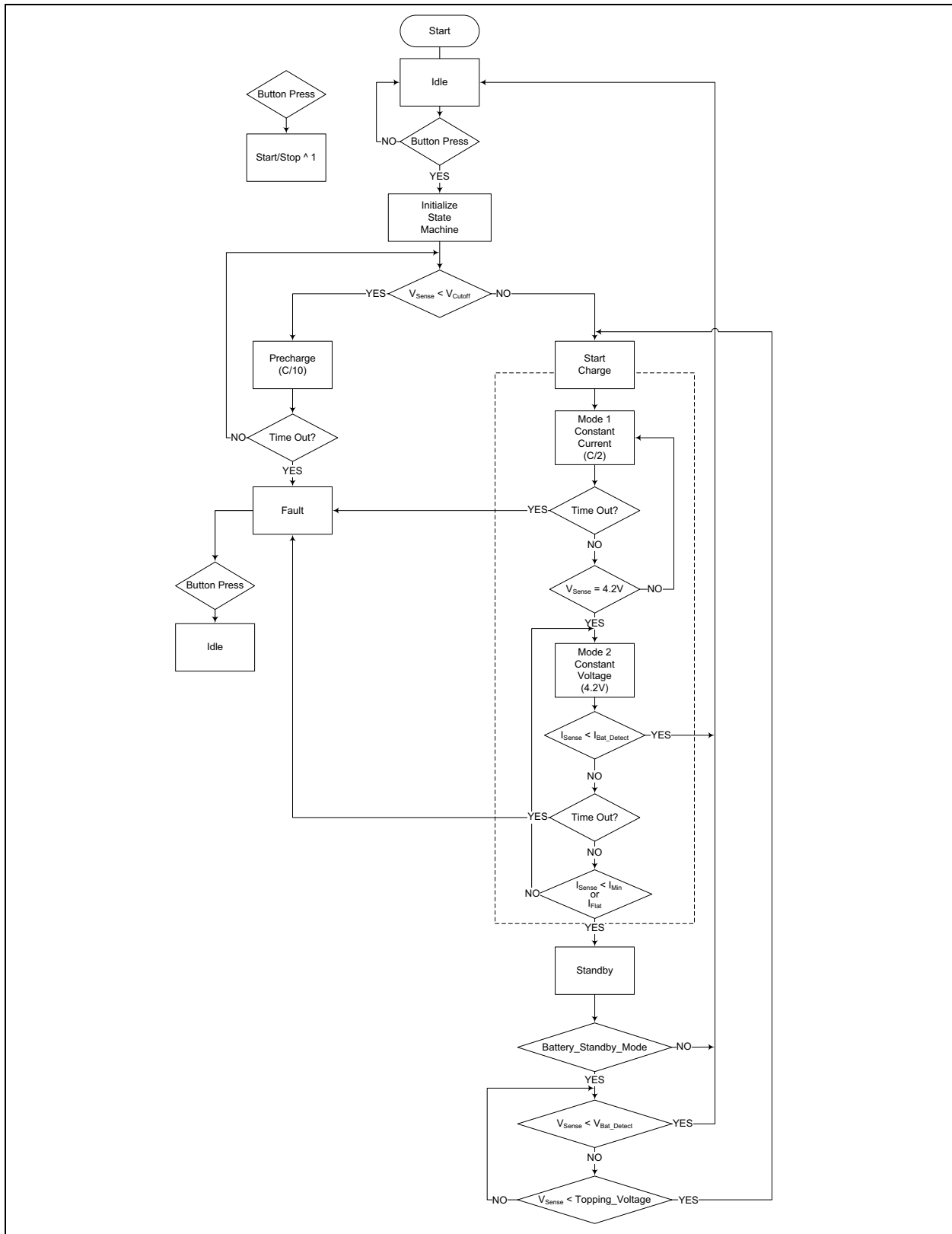
`I_Bat_Detect` is a minimum current reading that shows a missing battery/load. The value depends on the current shunt amplifier offset and amplification. It is useful for detecting that the battery has been removed during charge, since there is no OCV (Open Circuit Voltage) measurement.

- `#define I_Bat_Detect 16`



## 2.4.2 State Machine Description

There are five states, as shown in Figure 2-3 and explained in Table 2-1.



**FIGURE 2-3:** The Charger State Machine.

**TABLE 2-1: CHARGING STATES**

State	Description
Precharge	Charges battery with a low current (usually C/10) until the battery voltage exceeds the defined cutoff voltage.
Charge	The Charge state has two phases: constant current mode and constant voltage mode. The Charge cycle starts in constant current mode, in which the battery is charged with a constant current (usually C/2) until the battery voltage equals $+4.2 V_{DC}$ . After that, it enters the constant voltage mode, keeping a constant voltage at the output ( $+4.2 V_{DC}$ ). When the current is under the minimum threshold or it does not decrease for a certain time (flat current), the state machine switches to Done state. If the battery is removed before the charging is complete (battery current is under the battery detection current), then the state machine switches to Idle state. If a time out occurs before any of these conditions are triggered, then the state machine will switch to Fault state.
Done	When the state machine reaches this state, it means that the battery is fully charged and can be removed. The converter is stopped, but, if a special Standby_mode is enabled, then this state will monitor the OCV (Open Circuit Voltage) of the battery and jump back to the Charge state, when it drops too much. If the Standby_mode is not enabled, then it switches to Idle state.
Idle	In this state, the converter is stopped and the whole system waits for user input. A button press reinitializes the state machine, and the charging process starts from the beginning.
Fault	Stops the converter and waits for user input. A button press changes the state to Idle.

An LED is used to signal the charging state. The on/off states and blinking rates are defined in `Hardware.h`.

**TABLE 2-2: LED STATES**

LED State	Description
LED Off	Idle state
LED blinking 0.5 Hz	Precharge and Charge states
LED On	Done state
LED blinking 2 Hz	Fault state

### 2.4.2.1 CHARGER VARIABLES AND FUNCTIONS

**Battery\_state** – Holds the current charging state of the battery charger. This variable is available to the main program loop.

```
enum charge_states { IDLE = 0, FAULT = 1, DONE = 2, PRECHARGE = 3, CHARGE = 4, FLOAT = 5 };
```

**State\_counter** – Used as a time-out counter for Precharge and Charge states.

**I<sub>MIN</sub>** – The minimum current value recorded during the constant voltage phase of the Charge state. When the value of this variable falls below the minimum current threshold (calculated as a fraction of the battery capacity), the charge is complete.

**I<sub>MIN\_DB</sub>** – The minimum current debouncing counter. When the value of I<sub>SENSE</sub> is smaller than I<sub>MIN</sub> for I<sub>MIN\_UPDATE</sub> times in a row, I<sub>MIN</sub> is updated with the value of I<sub>SENSE</sub>.

**I<sub>FLAT\_DB</sub>** – The flat current debouncing counter. This counter is reset every time I<sub>MIN</sub> is updated. When it reaches zero, it triggers an End of Charge condition.

The charger library has two functions:

- **Init\_State\_Machine()** initializes the state machine debouncing and time-out counters, sets the charging voltage and current limits and starts the converter. This function should be called when starting to charge from Idle.
- **Battery\_State\_Machine()** contains the code for each of the charge/battery state machines and will handle state transitions based on the measured current and voltage values. This function expects to be called every second, otherwise the time-out counters measure a different interval.

---

---

### 2.4.2.2 THE BATTERY CHEMISTRY DEFINITION FILES

LiCo.h contains example definitions for charging this chemistry.

It supports all Li-Ion chemistries that have a charging voltage of 4.2V. For Li-Fe cells the charging voltage needs to be changed to 3.6V.

The values in the definition files depend on the charger hardware implementation and the number of ADC samples taken on each measurement. In this case, we have a 10-bit ADC with a 5V reference, and four samples are taken for every measurement. The output current shunt is 0.1Ω, amplified 10 times. The output voltage divider is 2.44.

#### **EQUATION 2-1: VOLTAGE CALCULATION EXAMPLE FOR 4.2V**

$$\text{Voltage Counts} = \frac{\text{ADC maximum} \times \text{Voltage}}{\text{Output Divider} \times \text{ADC Reference}}$$

$$\text{Counts} = \frac{4096 \times 4.2\text{V}}{2.44 \times 2.048\text{V}} = 3443$$

#### **EQUATION 2-2: CURRENT CALCULATION EXAMPLE FOR 1000 MA**

$$\text{Current Counts} = \frac{\text{ADC maximum} \times \text{Current} \times \text{Shunt Value} \times \text{Amplification}}{\text{ADC Reference}}$$

$$\text{Counts} = \frac{4096 \times 1\text{A} \times 0.1\Omega \times 10}{2.048\text{V}} = 2000$$

# **MCP1632 Single-Cell Li-Ion Battery Charger Demo Board User's Guide**

---

---

NOTES:



# MCP1632 SINGLE-CELL LI-ION BATTERY CHARGER DEMO BOARD USER'S GUIDE

---

---

## Appendix A. Schematic and Layouts

---

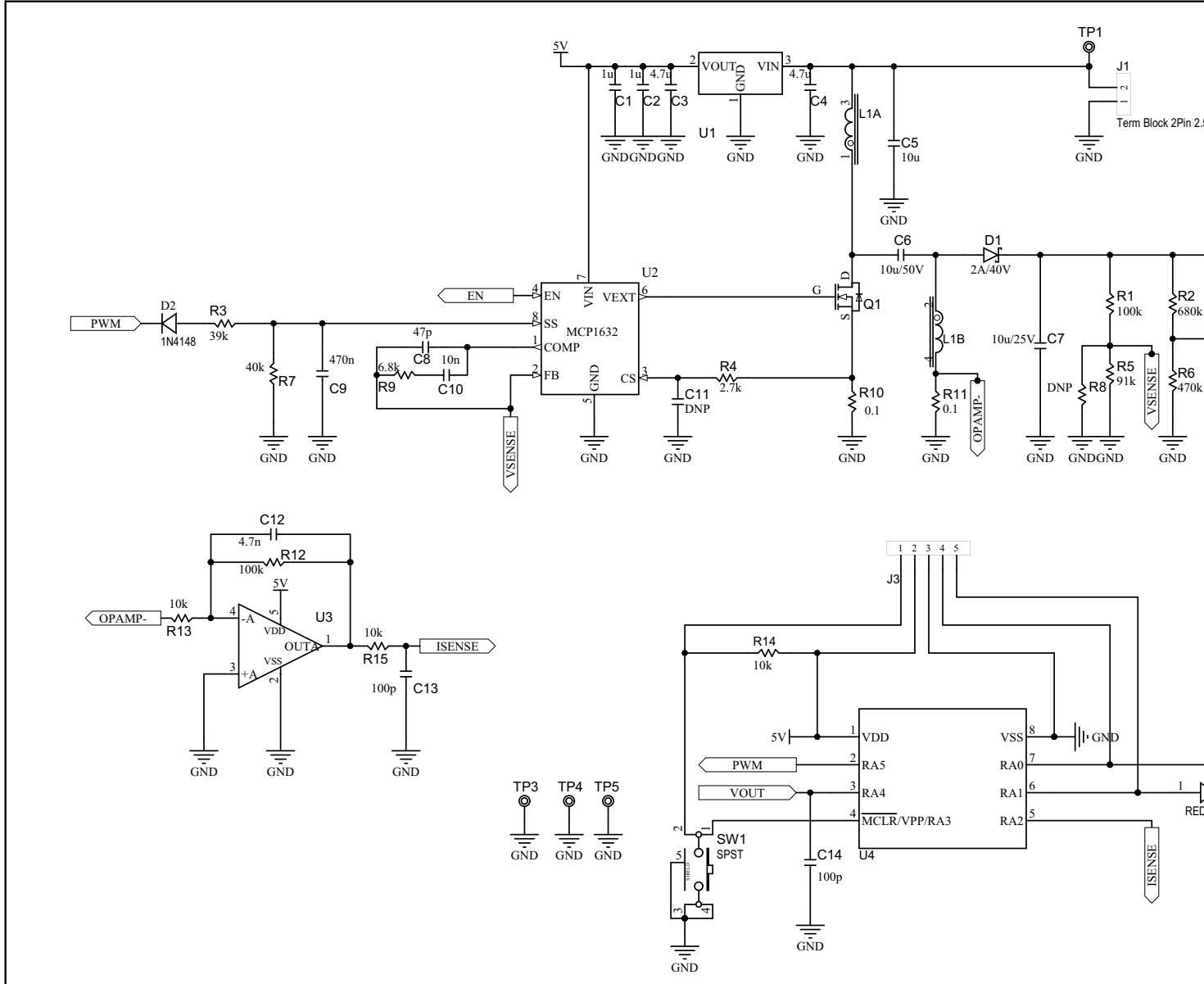
---

### A.1 INTRODUCTION

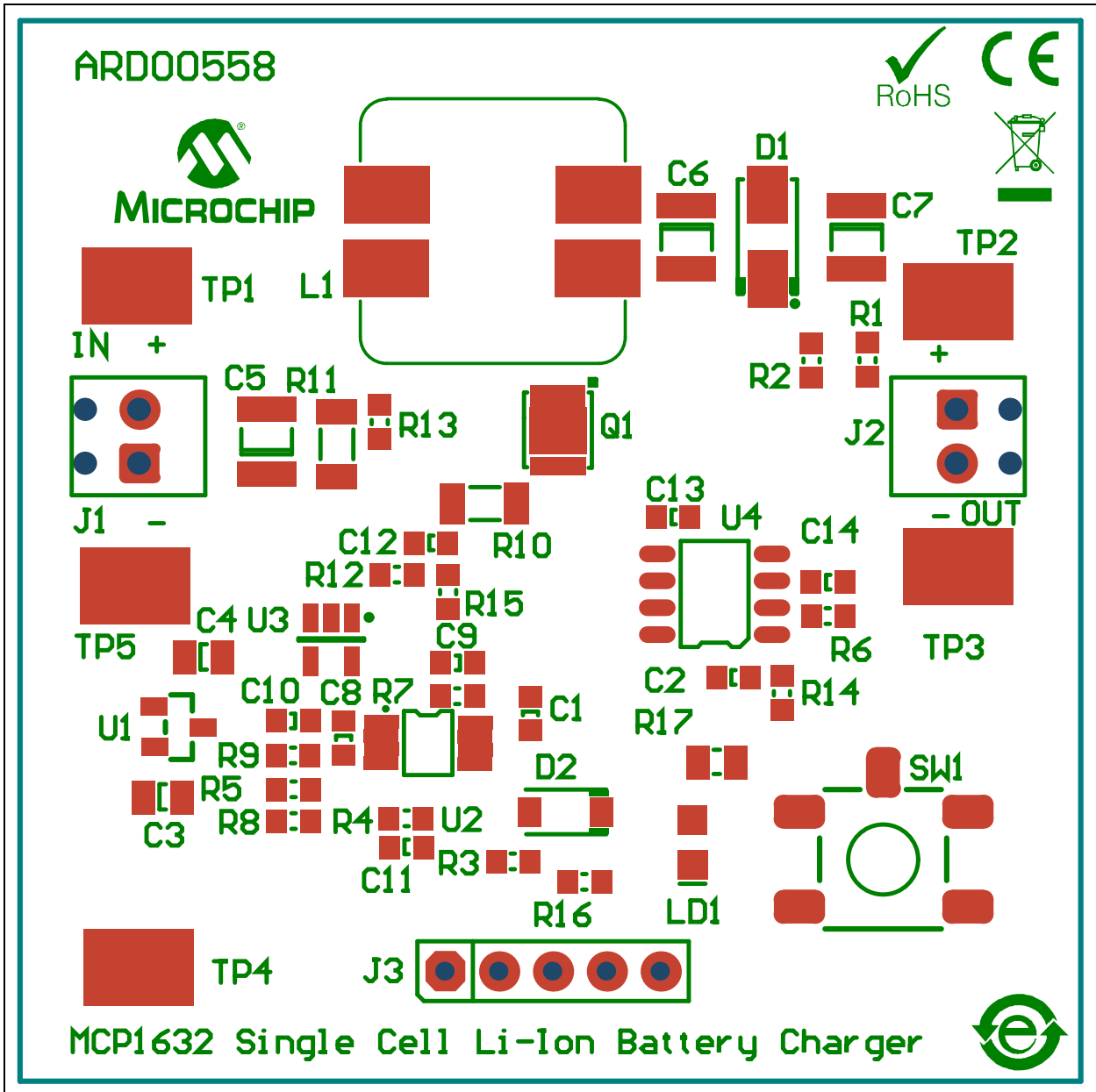
This appendix contains the following schematics and layouts for the MCP1632 Single-Cell Li-Ion Battery Charger Demo Board:

- Board – Schematic
- Board – Top Silk
- Board – Top Copper and Silk
- Board – Top Copper
- Board – Bottom Copper
- Board – Bottom Copper and Silk

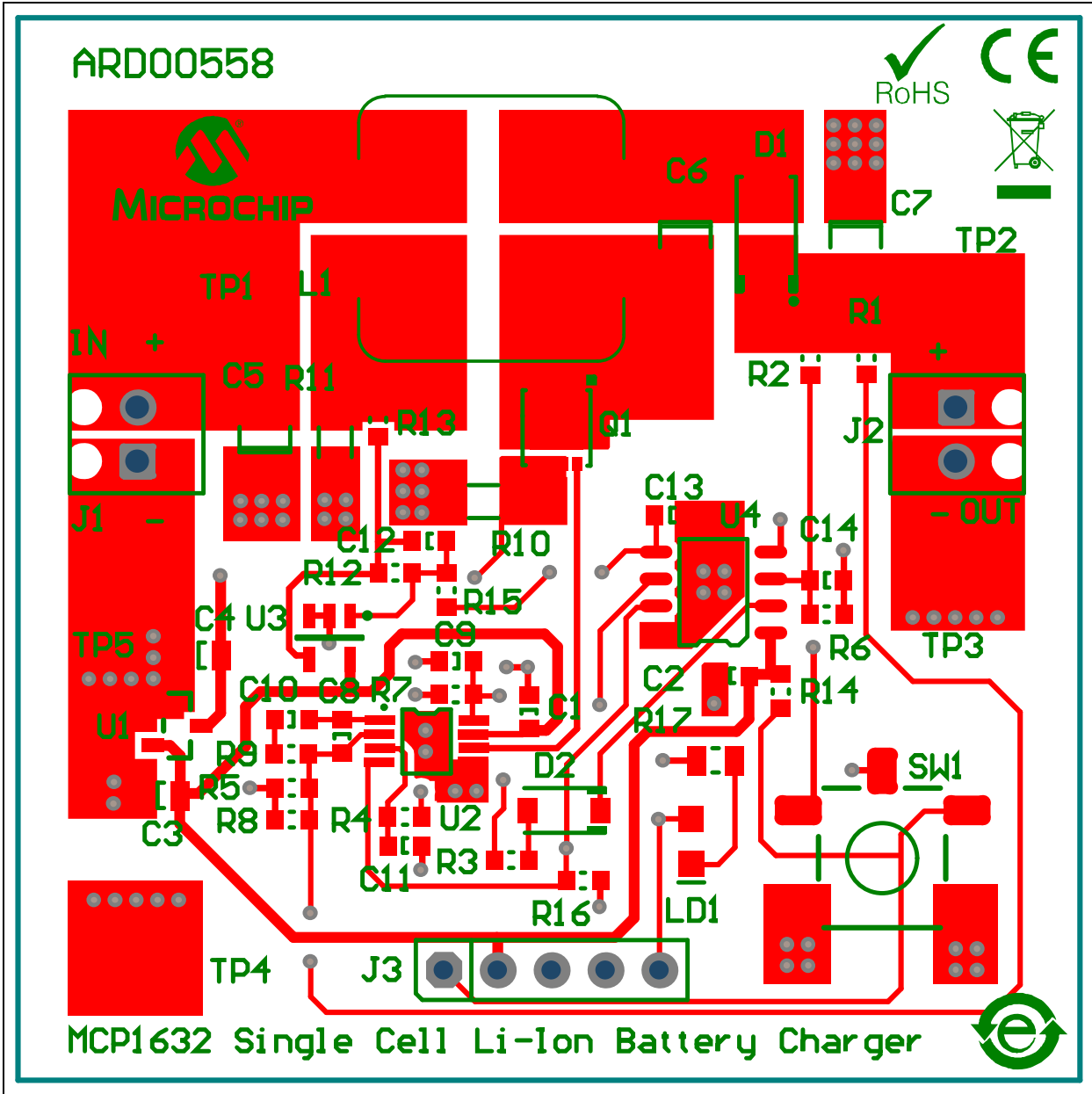
### A.2 BOARD – SCHEMATIC



A.3 BOARD – TOP SILK



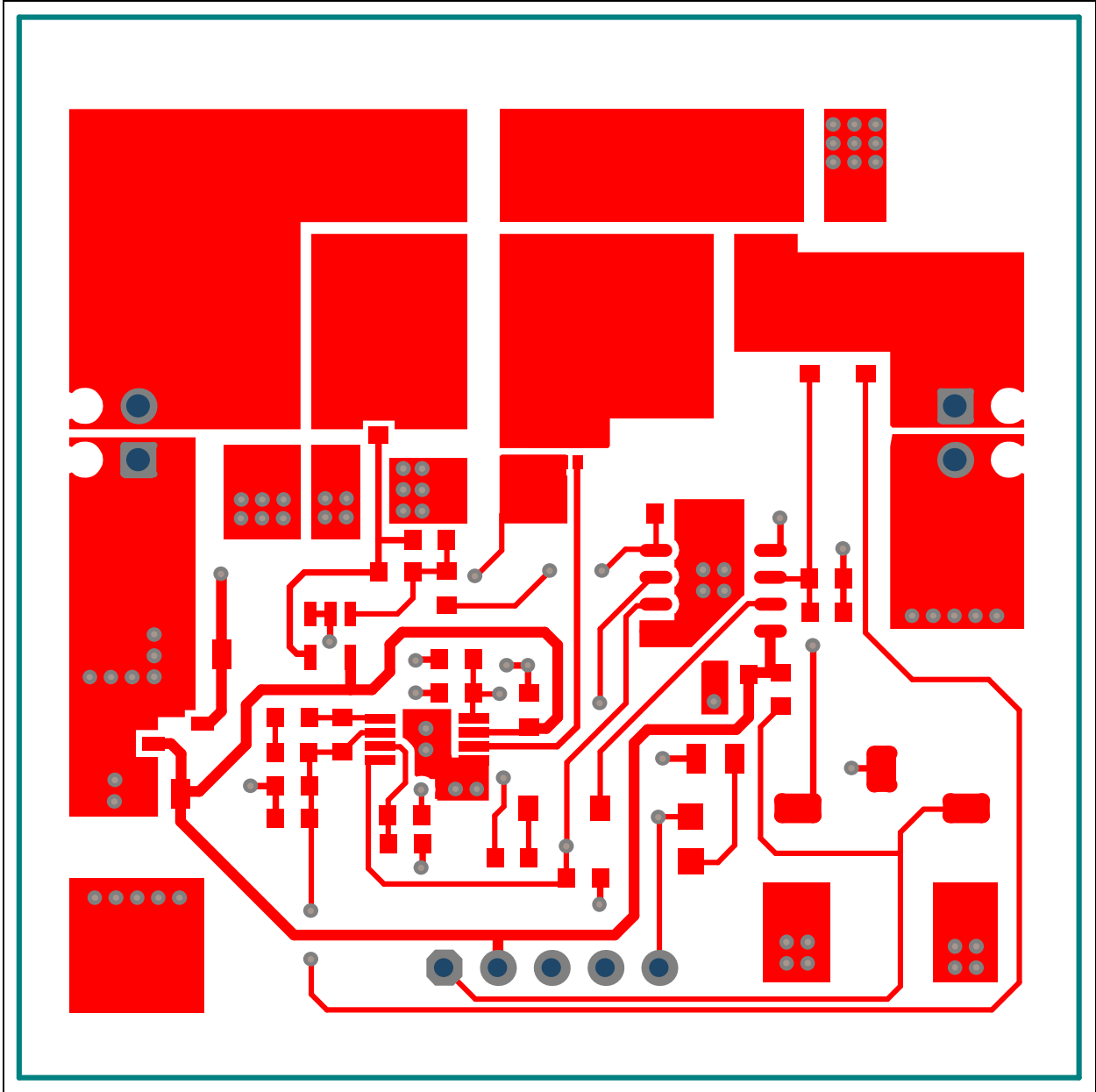
## A.4 BOARD – TOP COPPER AND SILK



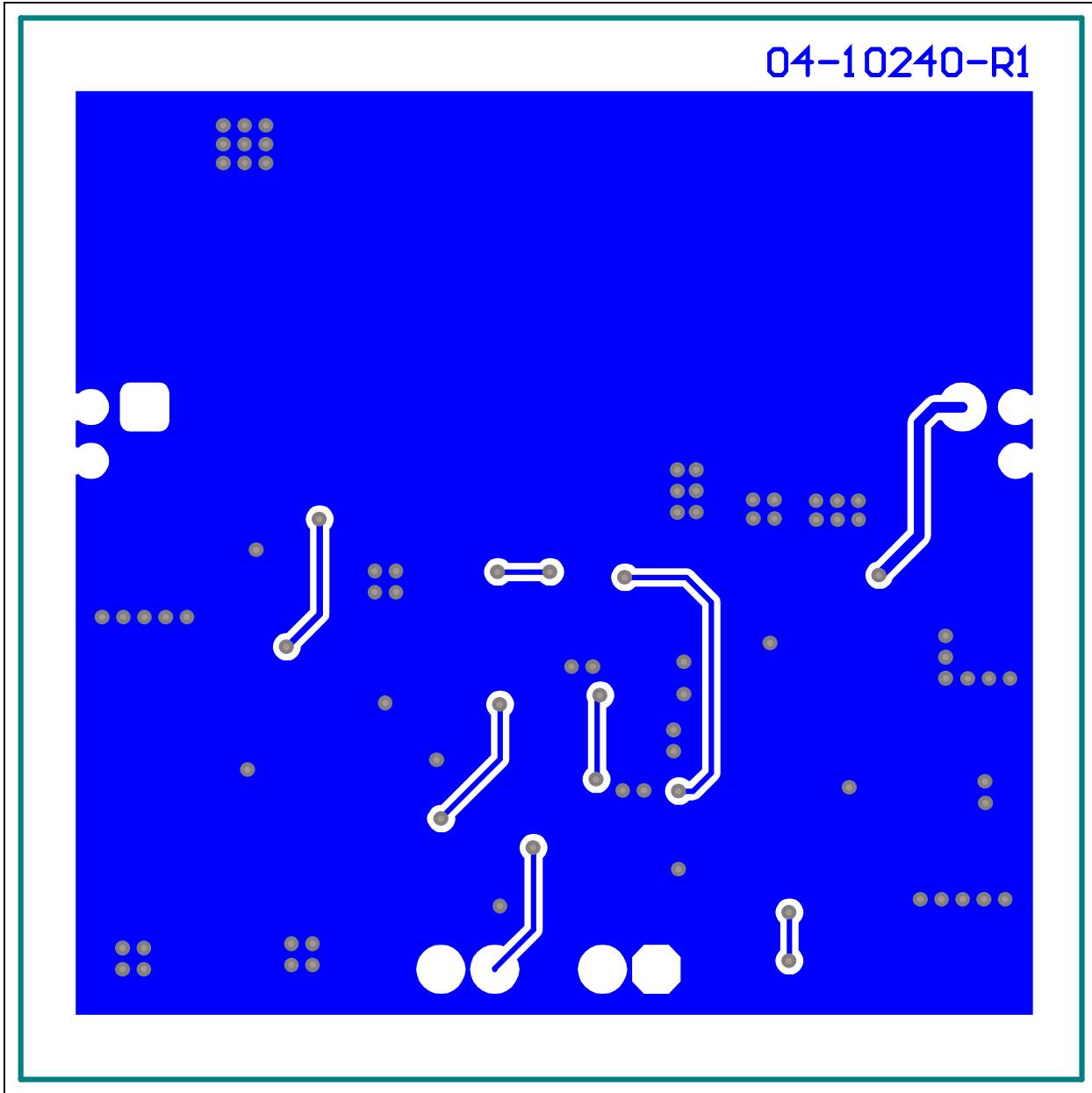


---

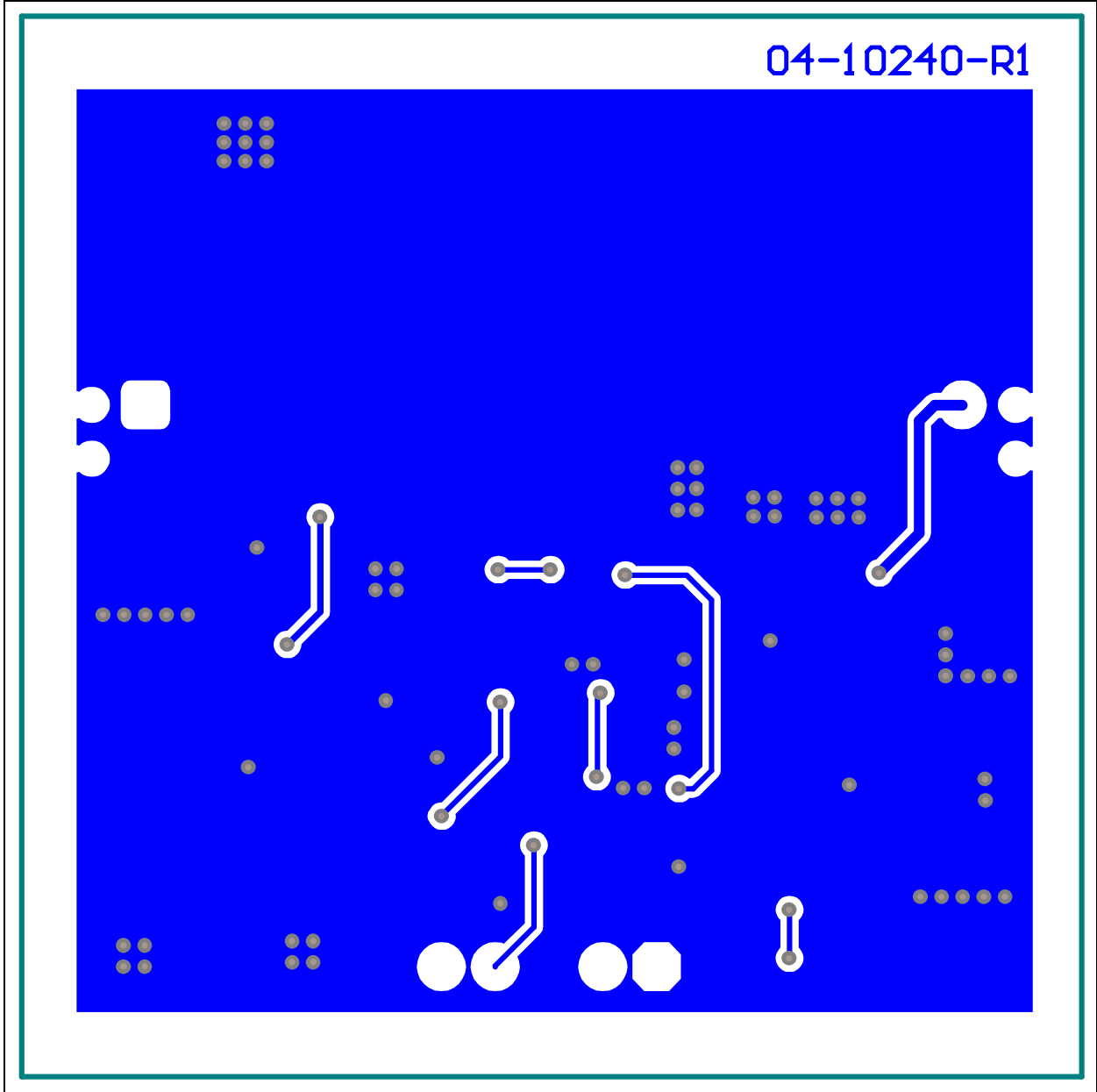
## A.5 BOARD – TOP COPPER



**A.6 BOARD – BOTTOM COPPER**



A.7 BOARD – BOTTOM COPPER AND SILK



# **MCP1632 Single-Cell Li-Ion Battery Charger Demo Board User's Guide**

---

---

NOTES:



# MCP1632 SINGLE-CELL LI-ION BATTERY CHARGER DEMO BOARD USER'S GUIDE

## Appendix B. Bill of Materials (BOM)

TABLE B-1: BILL OF MATERIALS

Quantity	Designator	Description	Manufacturer	Manufacturer Part Number
2	C1, C2	Cap. ceramic 1 $\mu$ F 16V 10% X7R 0603	TDK Corporation	C1608X7R1C105K080AC
2	C3, C4	Cap. ceramic 4.7 $\mu$ F 10V 20% X7R 0805	TDK Corporation	C2012X7R1A475M125AC
3	C5, C6, C7	Cap. ceramic 10 $\mu$ F 16V 20% X7R 1210	TDK Corporation	C3225X7R1C106M200AB
1	C8	Cap. ceramic 47 pF 50V 5% NP0 0603	TDK Corporation	C1608C0G1H470J080AA
1	C9	Cap. ceramic 0.47 $\mu$ F 16V 10% X7R 0603	TDK Corporation	C1608X7R1C474K080AC
1	C10	Cap. ceramic 10000 pF 50V 10% X7R 0603	TDK Corporation	C1608X7R1H103K080AA
0	C11	<b>DO NOT POPULATE</b>	—	—
1	C12	Cap. ceramic 4700 pF 50V 10% X7R 0603	TDK Corporation	CGA3E2X7R1H472K080AA
2	C13, C14	Cap. ceramic 100 pF 50V 5% NP0 0603	TDK Corporation	C1608C0G1H101J080AA
1	D1	Diode Schottky 40V 2A DO214AC	Vishay Intertechnology, Inc.	SSA24-E3/61T
1	D2	Diode Rec. 1N4148 1.25V 150 mA 100V SOD-123	Micro Commercial Components	1N4148W-TP
2	J1, J2	Conn. terminal blk. 2.54 mm 2POS	PHOENIX CONTACT	1725656
1	J3	Conn. header 5POS vert. 0.100 GOLD	FCI	68002-205HLF
1	L1	Coupled inductor SEPIC/CIUK 4.7 $\mu$ H	Würth® Group	744878004
1	LD1	LED red orange clear 0603 SMD	Lite-On® Technology Corporation	LTST-C190EKT
1	PCB	MCP1632 Single-Cell Li-Ion Battery Charger Demo Board – Printed Circuit Board	Microchip Technology Inc.	104-10240
1	Q1	MOSFET N-CH 25V 8PDFN	Microchip Technology Inc.	<b>MCP87130T-U/MF</b>
2	R1, R12	Res. 100 k $\Omega$ 1/10W 1% 0603	Stackpole Electronics, Inc.	RMCF0603FT100K
1	R2	Res. 680 k $\Omega$ 1/10W 1% 0603	Stackpole Electronics, Inc.	RMCF0603FT680K
1	R3	Res. 39 k $\Omega$ 1/10W 1% 0603	Stackpole Electronics, Inc.	RMCF0603FT39K0

**Note:** The components listed in this Bill of Materials are representative of the PCB assembly. The released BOM used in manufacturing uses all RoHS-compliant components.

# MCP1632 Single-Cell Li-Ion Battery Charger Demo Board User's Guide

**TABLE B-1: BILL OF MATERIALS (CONTINUED)**

Quantity	Designator	Description	Manufacturer	Manufacturer Part Number
1	R4	Res. 2.7 kΩ 1/10W 5% 0603	Stackpole Electronics, Inc.	RMCF0603JT2K70
1	R5	Res. 91 kΩ 1/10W 5% 0603	Stackpole Electronics, Inc.	RMCF0603JT91K0
1	R6	Res. 470 kΩ 1/10W 5% 0603	Stackpole Electronics, Inc.	RMCF0603JT470K
1	R7	Res. 40 kΩ 0.15W 0.1% 0603	Vishay Intertechnology, Inc.	PAT0603E4002BST1
0	R8	<b>DO NOT POPULATE</b>	—	—
1	R9	Res. 6.8 kΩ 1/10W 5% 0603	Stackpole Electronics, Inc.	RMCF0603JT6K80
4	R13, R14, R15, R16	Res. 10 kΩ 1/10W 5% 0603	Stackpole Electronics, Inc.	RMCF0603JT10K0
1	R17	Res. 820Ω 1/10W 5% 0603	Stackpole Electronics, Inc.	RMCF0603JT820R
2	R10, R11	Res. 0.1Ω 1/2W 1% 1206 SMD	Bourns <sup>®</sup> , Inc.	CRM1206-FX-R100ELF
1	SW1	Switch tact. SPST-NO 0.05A 24V	Omron Electronics – EMC Division	B3S-1100P
1	U1	MCHP Analog LDO 5V MCP1703T-5002E/MB SOT-89-3	Microchip Technology Inc.	<b>MCP1703T-5002E/MB</b>
1	U2	IC Reg. CTRLR BOOST CM PWM 8MSOP	Microchip Technology Inc.	<b>MCP1632-BAE/MS</b>
1	U3	MCHP Analog OPAMP 1-Ch 1 MHz MCP6001T-I/OT SOT-23-5	Microchip Technology Inc.	<b>MCP6001T-I/OT</b>
1	U4	IC MCU 8BIT 3.5KB FLASH 8SOIC	Microchip Technology Inc.	<b>PIC12F1822-I/SN</b>

**Note:** The components listed in this Bill of Materials are representative of the PCB assembly. The released BOM used in manufacturing uses all RoHS-compliant components.

---

---

**NOTES:**



# MICROCHIP

## Worldwide Sales and Service

### AMERICAS

**Corporate Office**  
2355 West Chandler Blvd.  
Chandler, AZ 85224-6199  
Tel: 480-792-7200  
Fax: 480-792-7277  
Technical Support:  
<http://www.microchip.com/support>  
Web Address:  
[www.microchip.com](http://www.microchip.com)

**Atlanta**  
Duluth, GA  
Tel: 678-957-9614  
Fax: 678-957-1455

**Austin, TX**  
Tel: 512-257-3370

**Boston**  
Westborough, MA  
Tel: 774-760-0087  
Fax: 774-760-0088

**Chicago**  
Itasca, IL  
Tel: 630-285-0071  
Fax: 630-285-0075

**Cleveland**  
Independence, OH  
Tel: 216-447-0464  
Fax: 216-447-0643

**Dallas**  
Addison, TX  
Tel: 972-818-7423  
Fax: 972-818-2924

**Detroit**  
Novi, MI  
Tel: 248-848-4000

**Houston, TX**  
Tel: 281-894-5983

**Indianapolis**  
Noblesville, IN  
Tel: 317-773-8323  
Fax: 317-773-5453

**Los Angeles**  
Mission Viejo, CA  
Tel: 949-462-9523  
Fax: 949-462-9608

**New York, NY**  
Tel: 631-435-6000

**San Jose, CA**  
Tel: 408-735-9110

**Canada - Toronto**  
Tel: 905-673-0699  
Fax: 905-673-6509

### ASIA/PACIFIC

**Asia Pacific Office**  
Suites 3707-14, 37th Floor  
Tower 6, The Gateway  
Harbour City, Kowloon  
Hong Kong  
Tel: 852-2943-5100  
Fax: 852-2401-3431

**Australia - Sydney**  
Tel: 61-2-9868-6733  
Fax: 61-2-9868-6755

**China - Beijing**  
Tel: 86-10-8569-7000  
Fax: 86-10-8528-2104

**China - Chengdu**  
Tel: 86-28-8665-5511  
Fax: 86-28-8665-7889

**China - Chongqing**  
Tel: 86-23-8980-9588  
Fax: 86-23-8980-9500

**China - Hangzhou**  
Tel: 86-571-8792-8115  
Fax: 86-571-8792-8116

**China - Hong Kong SAR**  
Tel: 852-2943-5100  
Fax: 852-2401-3431

**China - Nanjing**  
Tel: 86-25-8473-2460  
Fax: 86-25-8473-2470

**China - Qingdao**  
Tel: 86-532-8502-7355  
Fax: 86-532-8502-7205

**China - Shanghai**  
Tel: 86-21-5407-5533  
Fax: 86-21-5407-5066

**China - Shenyang**  
Tel: 86-24-2334-2829  
Fax: 86-24-2334-2393

**China - Shenzhen**  
Tel: 86-755-8864-2200  
Fax: 86-755-8203-1760

**China - Wuhan**  
Tel: 86-27-5980-5300  
Fax: 86-27-5980-5118

**China - Xian**  
Tel: 86-29-8833-7252  
Fax: 86-29-8833-7256

**China - Xiamen**  
Tel: 86-592-2388138  
Fax: 86-592-2388130

**China - Zhuhai**  
Tel: 86-756-3210040  
Fax: 86-756-3210049

### ASIA/PACIFIC

**India - Bangalore**  
Tel: 91-80-3090-4444  
Fax: 91-80-3090-4123

**India - New Delhi**  
Tel: 91-11-4160-8631  
Fax: 91-11-4160-8632

**India - Pune**  
Tel: 91-20-3019-1500

**Japan - Osaka**  
Tel: 81-6-6152-7160  
Fax: 81-6-6152-9310

**Japan - Tokyo**  
Tel: 81-3-6880-3770  
Fax: 81-3-6880-3771

**Korea - Daegu**  
Tel: 82-53-744-4301  
Fax: 82-53-744-4302

**Korea - Seoul**  
Tel: 82-2-554-7200  
Fax: 82-2-558-5932 or  
82-2-558-5934

**Malaysia - Kuala Lumpur**  
Tel: 60-3-6201-9857  
Fax: 60-3-6201-9859

**Malaysia - Penang**  
Tel: 60-4-227-8870  
Fax: 60-4-227-4068

**Philippines - Manila**  
Tel: 63-2-634-9065  
Fax: 63-2-634-9069

**Singapore**  
Tel: 65-6334-8870  
Fax: 65-6334-8850

**Taiwan - Hsin Chu**  
Tel: 886-3-5778-366  
Fax: 886-3-5770-955

**Taiwan - Kaohsiung**  
Tel: 886-7-213-7830

**Taiwan - Taipei**  
Tel: 886-2-2508-8600  
Fax: 886-2-2508-0102

**Thailand - Bangkok**  
Tel: 66-2-694-1351  
Fax: 66-2-694-1350

### EUROPE

**Austria - Wels**  
Tel: 43-7242-2244-39  
Fax: 43-7242-2244-393

**Denmark - Copenhagen**  
Tel: 45-4450-2828  
Fax: 45-4485-2829

**France - Paris**  
Tel: 33-1-69-53-63-20  
Fax: 33-1-69-30-90-79

**Germany - Dusseldorf**  
Tel: 49-2129-3766400

**Germany - Munich**  
Tel: 49-89-627-144-0  
Fax: 49-89-627-144-44

**Germany - Pforzheim**  
Tel: 49-7231-424750

**Italy - Milan**  
Tel: 39-0331-742611  
Fax: 39-0331-466781

**Italy - Venice**  
Tel: 39-049-7625286

**Netherlands - Drunen**  
Tel: 31-416-690399  
Fax: 31-416-690340

**Poland - Warsaw**  
Tel: 48-22-3325737

**Spain - Madrid**  
Tel: 34-91-708-08-90  
Fax: 34-91-708-08-91

**Sweden - Stockholm**  
Tel: 46-8-5090-4654

**UK - Wokingham**  
Tel: 44-118-921-5800  
Fax: 44-118-921-5820

03/25/14



## X-ON Electronics

Largest Supplier of Electrical and Electronic Components

*Click to view similar products for [Power Management IC Development Tools](#) category:*

*Click to view products by [Microchip](#) manufacturer:*

Other Similar products are found below :

[EVB-EP5348UI](#) [MIC23451-AAAYFL EV](#) [MIC5281YMME EV](#) [124352-HMC860LP3E](#) [DA9063-EVAL](#) [ADP122-3.3-EVALZ](#) [ADP130-0.8-EVALZ](#) [ADP130-1.8-EVALZ](#) [ADP1740-1.5-EVALZ](#) [ADP1870-0.3-EVALZ](#) [ADP1874-0.3-EVALZ](#) [ADP199CB-EVALZ](#) [ADP2102-1.25-EVALZ](#) [ADP2102-1.875EVALZ](#) [ADP2102-1.8-EVALZ](#) [ADP2102-2-EVALZ](#) [ADP2102-3-EVALZ](#) [ADP2102-4-EVALZ](#) [AS3606-DB](#) [BQ25010EVM](#) [BQ3055EVM](#) [ISLUSBI2CKIT1Z](#) [LP38512TS-1.8EV](#) [EVAL-ADM1186-1MBZ](#) [EVAL-ADM1186-2MBZ](#) [ADP122UJZ-REDYKIT](#) [ADP166Z-REDYKIT](#) [ADP170-1.8-EVALZ](#) [ADP171-EVALZ](#) [ADP1853-EVALZ](#) [ADP1873-0.3-EVALZ](#) [ADP198CP-EVALZ](#) [ADP2102-1.0-EVALZ](#) [ADP2102-1-EVALZ](#) [ADP2107-1.8-EVALZ](#) [ADP5020CP-EVALZ](#) [CC-ACC-DBMX-51](#) [ATPL230A-EK](#) [MIC23250-S4YMT EV](#) [MIC26603YJL EV](#) [MIC33050-SYHL EV](#) [TPS60100EVM-131](#) [TPS65010EVM-230](#) [TPS71933-28EVM-213](#) [TPS72728YFFEVM-407](#) [TPS79318YEQEVM](#) [UCC28810EVM-002](#) [XILINXPWR-083](#) [LMR22007YMINI-EVM](#) [LP38501ATJ-EV](#)