

ARF460A/B
Datasheet
RF Power MOSFET

Final
May 2018



Contents

1	Revision History	1
1.1	Revision F	1
1.2	Revision E	1
1.3	Revision D	1
1.4	Revision C	1
1.5	Revision B	1
1.6	Revision A	1
2	Product Overview	2
2.1	Features	2
2.2	Characteristics	2
3	Electrical Specifications	3
3.1	Absolute Maximum Ratings	3
3.2	Thermal and Mechanical Characteristics	3
3.3	Electrical Performance	4
3.4	Typical Performance Curves	5
3.5	Typical Test Circuit	8
4	Package Specification	9
4.1	Package Outline Drawing	9

1 Revision History

The revision history describes the changes that were implemented in the document. The changes are listed by revision, starting with the most current publication.

1.1 Revision F

Revision F was published in May 2018. The following is a summary of the changes in revision F of this document.

- Updated [Product Overview \(see page 2\)](#) image and features bullet
- Added [Thermal and Mechanical Characteristics \(see page 3\)](#) section
- Updated [Maximum Transient Thermal Impedance \(see page 5\)](#) graph
- Updated [Capacitance vs. Drain-to-Source Voltage \(see page 6\)](#) graph
- Updated [Threshold Voltage vs. Temperature \(see page 6\)](#) graph

1.2 Revision E

Revision E was published in October 2007. The following is a summary of the changes in revision E of this document.

- Updated to Microsemi format
- Changed operating and storage junction temperature range from $-55\text{ }^{\circ}\text{C}$ to $175\text{ }^{\circ}\text{C}$ to $-55\text{ }^{\circ}\text{C}$ to $150\text{ }^{\circ}\text{C}$
- Changed the GFS (VDS) from 15 V to 25 V
- Changed the minimal values in the [Functional Characteristics \(see page 4\)](#) table

1.3 Revision D

Revision D was published in August 2003. The following is a summary of the changes in revision D of this document.

- Updated [Maximum Transient Thermal Impedance \(see page 5\)](#) graph
- Added RC ladder
- Updated patent information

1.4 Revision C

Revision C was published in March 2002. The following is a summary of the changes in revision C of this document.

- Updated to remove preliminary status

1.5 Revision B

Revision B was published in November 2001. The following is a summary of the changes in revision B of this document.

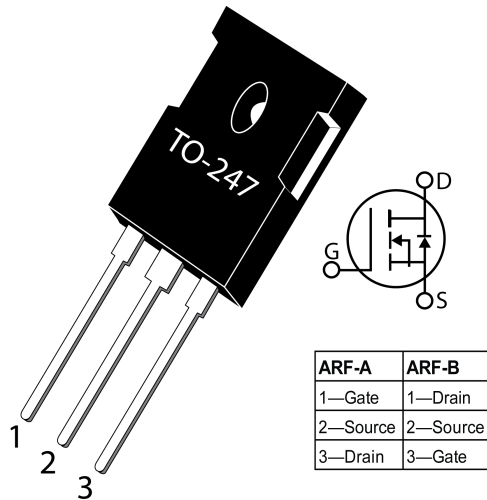
- Updated capacitance values in the [Dynamic Electrical Characteristics \(see page 4\)](#) table

1.6 Revision A

Revision A was published in December 2000. It is the first publication of this document.

2 Product Overview

The ARF460A and ARF460B comprise a symmetric pair of common source RF power transistors designed for push-pull scientific, commercial, medical, and industrial RF power amplifier applications up to 65 MHz. They have been optimized for both linear and high-efficiency classes of operation.



2.1 Features

The following are key features of the ARF460A/B devices:

- Low-cost common source RF package
- Low V_{th} thermal coefficient
- Low thermal resistance
- Optimized SOA for superior ruggedness
- RoHS compliant

2.2 Characteristics

The following are characteristics of the ARF460A/B devices at 125 V and 40.68 MHz:

- Output power: 150 W
- Gain: 13 dB (Class AB)
- Efficiency: 75% (Class C)

3 Electrical Specifications

This section details the electrical specifications for the ARF460A/B devices.

3.1 Absolute Maximum Ratings

The following table shows the absolute maximum ratings for the ARF460A/B devices.

All ratings at $T_c = 25\text{ }^\circ\text{C}$ unless otherwise specified.

Table 1 • Absolute Maximum Ratings

Symbol	Parameter	Ratings	Unit
V_{DS}	Drain-source voltage	500	V
V_{DGO}	Drain-gate voltage	500	V
I_D	Continuous drain current	14	A
V_{GS}	Gate-source voltage	± 30	V
P_D	Total power dissipation	250	W
$R_{\theta JC}$	Junction-to-case thermal resistance	0.40	$^\circ\text{C}/\text{W}$
T_J, T_{STG}	Operating and storage junction temperature range	-55 to 150	$^\circ\text{C}$
T_L	Lead temperature 0.063 inches from case for 10 seconds	300	$^\circ\text{C}$

3.2 Thermal and Mechanical Characteristics

The following table shows the thermal and mechanical characteristics of the ARF460A/B device.

Table 2 • Thermal and Mechanical Characteristics

Symbol	Characteristic	Min	Typ	Max	Unit
$R_{\theta JC}$	Junction-to-case thermal resistance		0.27	0.50	$^\circ\text{C}/\text{W}$
T_J	Operating junction temperature	-55		175	$^\circ\text{C}$
T_{STG}	Storage temperature	-55		175	
T_L	Soldering temperature for 10 seconds (1.6 mm from case)			260	
	Mounting torque, 6-32 or M3 screw			10	lbf-in
				1.1	N-m
WT	Package weight		0.22		oz
			6.1		g

3.3 Electrical Performance

The following table shows the static electrical characteristics of the ARF460A/B devices. These devices are sensitive to electrostatic discharge. Proper handling procedures should be followed.

Table 3 • Static Electrical Characteristics

Symbol	Parameter	Min	Typ	Max	Unit
BV_{DSS}	Drain-source breakdown voltage ($V_{GS} = 0\text{ V}$, $I_D = 250\ \mu\text{A}$)	500			V
$V_{DS(ON)}$	On-state drain voltage ($I_{D(ON)} = 7\text{ A}$, $V_{GS} = 10\text{ V}$)			4	V
I_{DSS}	Zero gate voltage drain current ($V_{DS} = V_{DSS}$, $V_{GS} = 0\text{ V}$)			25	μA
	Zero gate voltage drain current ($V_{DS} = 0.8 V_{DSS}$, $V_{GS} = 0\text{ V}$, $T_C = 125\text{ }^\circ\text{C}$)			250	
I_{GSS}	Gate-source leakage current ($V_{DS} = \pm 30\text{ V}$, $V_{GS} = 0\text{ V}$)			± 100	nA
g_{FS}	Forward transconductance ($V_{DS} = 25\text{ V}$, $I_D = 7\text{ A}$)	3.3	5.5	8	mhos
$V_{GS(TH)}$	Gate threshold voltage ($V_{DS} = V_{GS}$, $I_D = 50\text{ mA}$)	3		5	V

The following table shows the dynamic electrical characteristics of the ARF460A/B devices.

Table 4 • Dynamic Electrical Characteristics

Symbol	Parameter	Test Conditions	Min	Typ	Max	Unit
C_{ISS}	Input capacitance	$V_{GS} = 0\text{ V}$		1200	1400	pF
C_{OSS}	Output capacitance	$V_{DS} = 150\text{ V}$		150	180	
		$f = 1\text{ MHz}$				
C_{RSS}	Reverse transfer capacitance			60	75	
$t_{D(ON)}$	Turn-on delay time	$V_{GS} = 15\text{ V}$		7		ns
t_R	Rise time	$V_{DD} = 0.5 V_{DSS}$		6		
$t_{D(OFF)}$	Turn-off delay time	$I_D = I_{D(Cont.)}$ at $25\text{ }^\circ\text{C}$		20		
		$R_G = 1.6\ \Omega$				
t_F	Fall time			4.0	7	

The following table shows the functional characteristics of the ARF460A/B devices.

Table 5 • Functional Characteristics

Symbol	Characteristic	Test Conditions	Min	Typ	Max	Unit
G_{PS}	Common source amplifier power gain	$f = 40.68\text{ MHz}$	13	15		dB
η	Drain efficiency	$I_{DQ} = 50\text{ mA}$	70	75		%
Ψ	Electrical ruggedness VSWR 10:1	$V_{DD} = 125\text{ V}$ $P_{OUT} = 150\text{ W}$				No degradation in output power

Note: Pulse test: pulse width < 380 μs ; duty cycle < 2%

3.4 Typical Performance Curves

This section shows the typical performance curves for the ARF460A/B devices.

Figure 1 • Maximum Transient Thermal Impedance

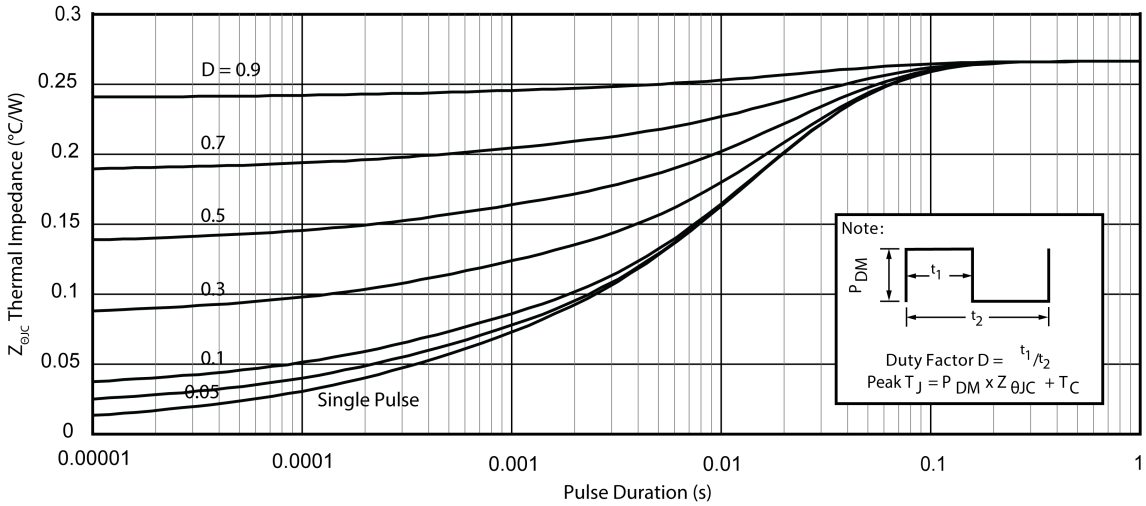


Figure 2 • Transient Thermal Impedance Model

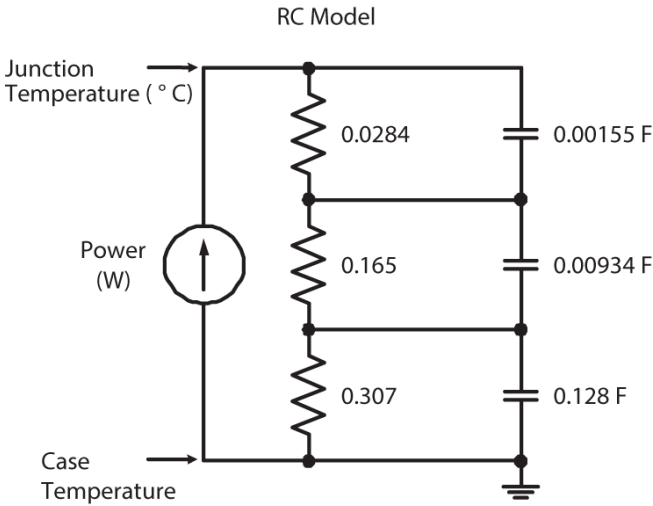


Figure 3 • Capacitance vs. Drain-to-Source Voltage

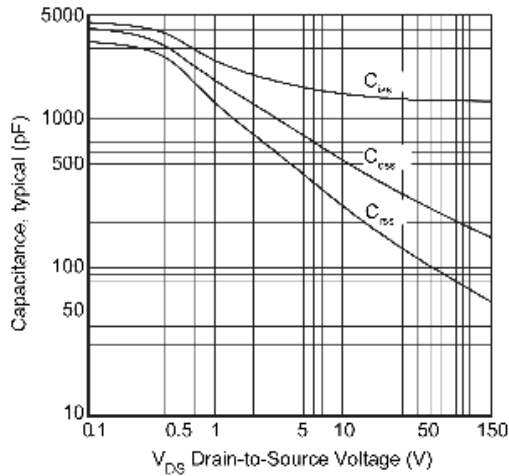


Figure 4 • Drain Current vs. Gate-to-Source Voltage

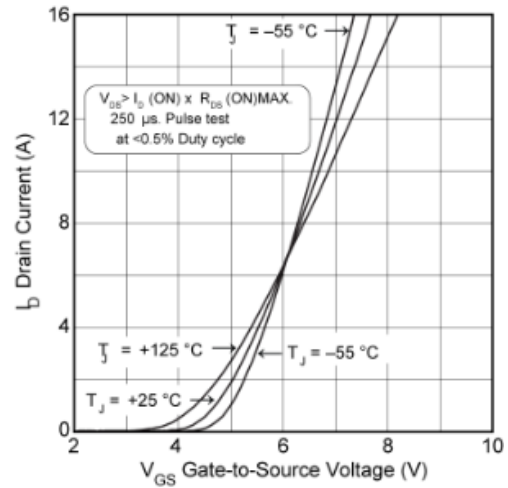


Figure 5 • Drain Current vs. Drain-to-Source Voltage

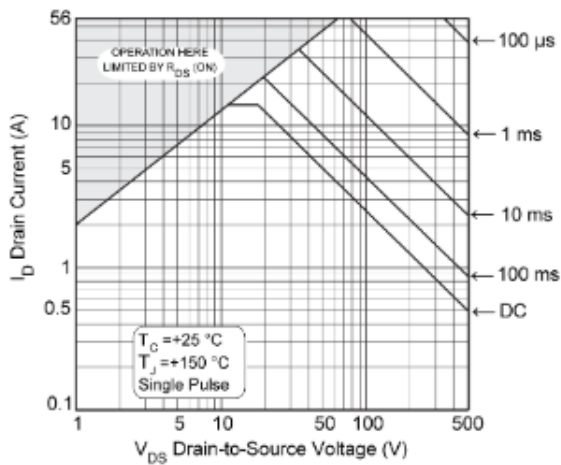


Figure 6 • Threshold Voltage vs. Temperature

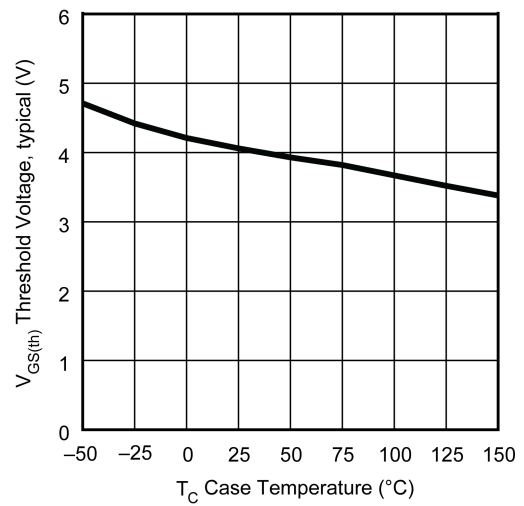
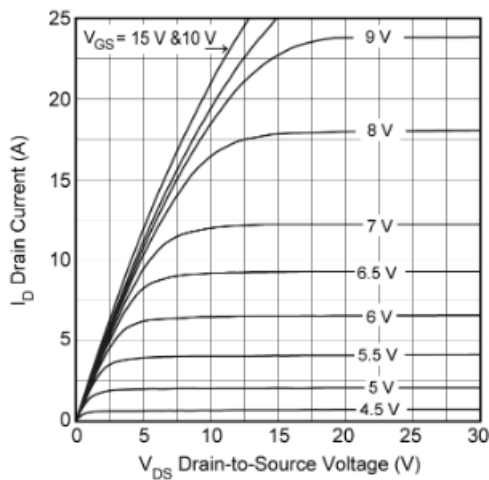


Figure 7 • Typical Output Characteristics



The following table shows the typical class AB large signal input and output impedance of the ARF460A/B devices, where $I_{DQ} = 100$ mA.

Table 6 • Typical Class AB Large Signal Input—Output Impedance

Frequency (MHz)	Z_{IN} (Ω)	Z_{OL} (Ω)
2.0	20.9 - j 9.2	38 - j 2.6
13.5	2.4 - j 6.8	31 - j 14
27	0.57 - j 2.6	19.6 - j 17.6
40	0.31 - j 0.5	12.5 - j 15.8
65	0.44 - j 1.9	6.0 - j 10.5

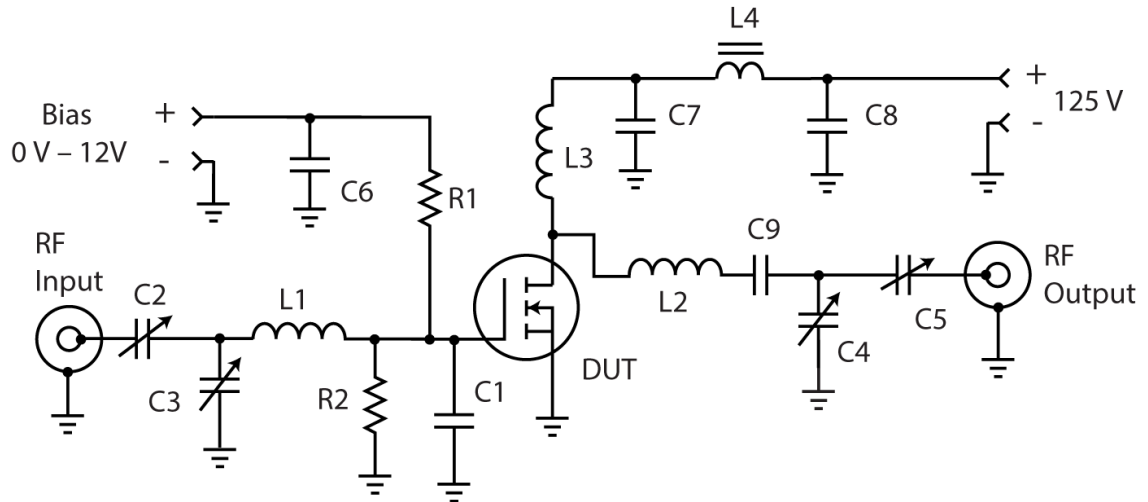
Note:

1. Gate shunted with 25 Ω
2. $I_{DQ} = 100$ mA
3. Conjugate of optimum load for 150 W output at $V_{DD} = 125$ V

3.5 Typical Test Circuit

The following drawing shows the test circuit of the ARF460A/B devices.

Figure 8 • 40.68 MHz Test Circuit



The following table shows the test circuit characteristics of the ARF460A/B devices.

Table 7 • Test Circuit Characteristics

Component	Characteristic
C1	2000 pF 100 V NPO chip mounted at gate lead
C2–C5	Arco 463 Mica trimmer
C6–C8	0.1 μ F 500 V ceramic chip
C9	2200 pF 500 V chip
L1	4t #20 AWG 0.25" ID 0.3" L approximately 80 nH
L2	6t #16 AWG 0.312" ID 0.4" L approximately 185 nH
L3	15t #24 AWG 0.25" ID approximately 0.85 μ H
L4	VK200-4B ferrite choke 3 μ H
R1–R2	51 Ω 0.5 W carbon
DUT	ARF460A/B

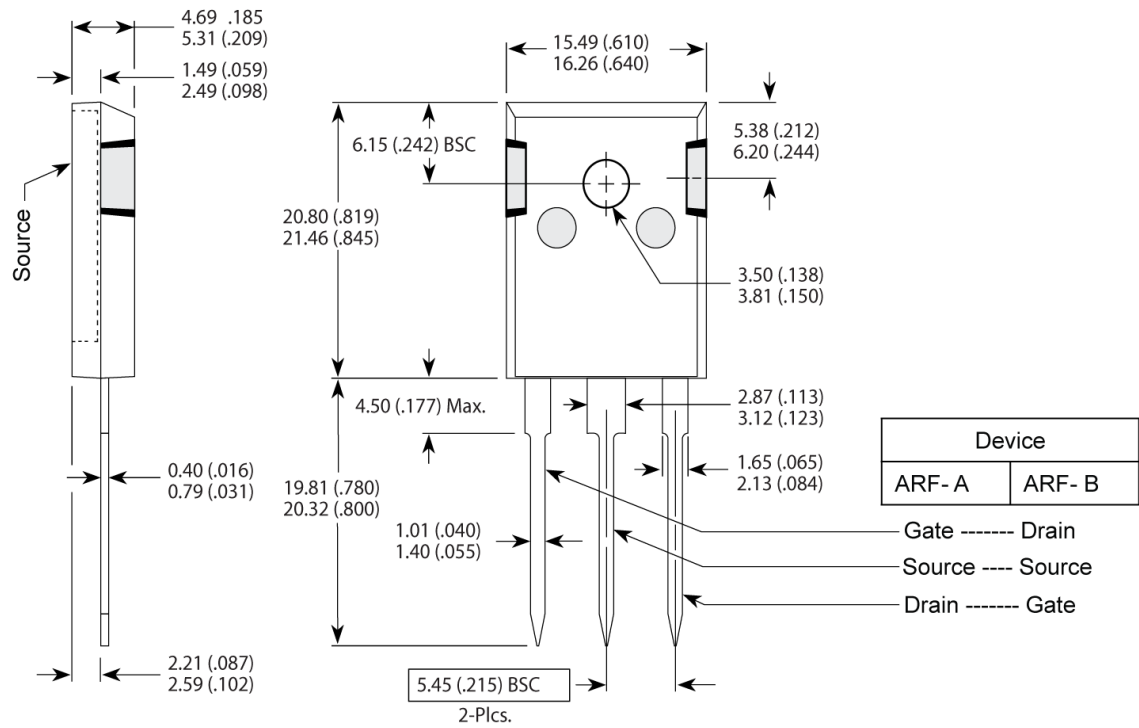
4 Package Specification

This section outlines the package specification for the ARF460A/B device.

4.1 Package Outline Drawing

This section details the TO-247 package drawing of the ARF460A/B device. Dimensions are in millimeters and (inches).

Figure 9 • Package Outline Drawing



**Microsemi Corporate Headquarters**

One Enterprise, Aliso Viejo,
CA 92656 USA
Within the USA: +1 (800) 713-4113
Outside the USA: +1 (949) 380-6100
Fax: +1 (949) 215-4996
Email: sales.support@microsemi.com
www.microsemi.com

© 2018 Microsemi Corporation. All rights reserved. Microsemi and the Microsemi logo are trademarks of Microsemi Corporation. All other trademarks and service marks are the property of their respective owners.

Microsemi makes no warranty, representation, or guarantee regarding the information contained herein or the suitability of its products and services for any particular purpose, nor does Microsemi assume any liability whatsoever arising out of the application or use of any product or circuit. The products sold hereunder and any other products sold by Microsemi have been subject to limited testing and should not be used in conjunction with mission-critical equipment or applications. Any performance specifications are believed to be reliable but are not verified, and Buyer must conduct and complete all performance and other testing of the products, alone and together with, or installed in, any end-products. Buyer shall not rely on any data and performance specifications or parameters provided by Microsemi. It is the Buyer's responsibility to independently determine suitability of any products and to test and verify the same. The information provided by Microsemi hereunder is provided "as is, where is" and with all faults, and the entire risk associated with such information is entirely with the Buyer. Microsemi does not grant, explicitly or implicitly, to any party any patent rights, licenses, or any other IP rights, whether with regard to such information itself or anything described by such information. Information provided in this document is proprietary to Microsemi, and Microsemi reserves the right to make any changes to the information in this document or to any products and services at any time without notice.

Microsemi Corporation (Nasdaq: MSCC) offers a comprehensive portfolio of semiconductor and system solutions for aerospace & defense, communications, data center and industrial markets. Products include high-performance and radiation-hardened analog mixed-signal integrated circuits, FPGAs, SoCs and ASICs; power management products; timing and synchronization devices and precise time solutions, setting the world's standard for time; voice processing devices; RF solutions; discrete components; enterprise storage and communication solutions; security technologies and scalable anti-tamper products; Ethernet solutions; Power-over-Ethernet ICs and midspans; as well as custom design capabilities and services. Microsemi is headquartered in Aliso Viejo, California, and has approximately 4,800 employees globally. Learn more at www.microsemi.com.

050-5966

X-ON Electronics

Largest Supplier of Electrical and Electronic Components

Click to view similar products for [RF MOSFET Transistors](#) category:

Click to view products by [Microchip](#) manufacturer:

Other Similar products are found below :

[FH2164](#) [ARF465BG](#) [VRF151MP](#) [MRF6S20010GNR1](#) [VRF2933MP](#) [VRF141](#) [UF28100M](#) [MW6S010GNR1](#) [DU2820S](#) [SD2943W](#)
[MRF24301HR5](#) [ARF463BP1G](#) [ARF465AG](#) [MMRF1014NT1](#) [MRF422](#) [VRF161MP](#) [ARF468BG](#) [MAPHST0045](#) [A2T27S020NR1](#) [UF2840P](#)
[DU2860U](#) [MHT1803A](#) [VRF152GMP](#) [BF2040E6814HTSA1](#) [MMRF5014HR5](#) [LET9060S](#) [MRF136Y](#) [MRF175GV](#) [AFT27S010NT1](#)
[AFT27S006NT1](#) [BF999E6327HTSA1](#) [SD2942W](#) [MRF1K50NR5](#) [UF28150J](#) [MRFE6VP5600HR6](#) [MRFX1K80HR5](#) [BF998E6327HTSA1](#)
[AFM907NT1](#) [AFT05MS006NT1](#) [AFV10700HR5](#) [MRF141](#) [MRF492](#) [MRF141](#) [MRF171](#) [MRF172](#) [MRF9045LR1](#) [AFM906NT1](#)
[BLF578XR,112](#) [TPM9305PD6](#) [CJU02N65](#)