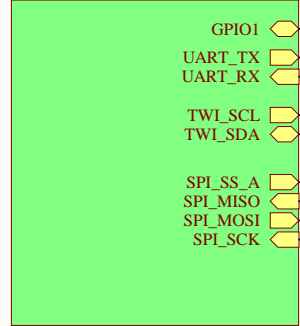
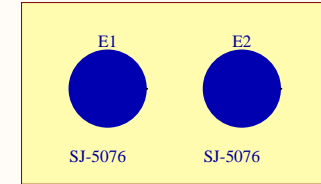
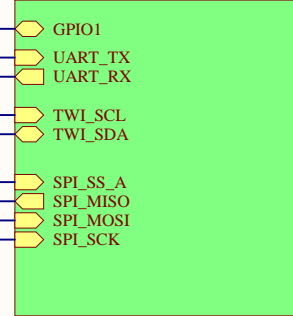


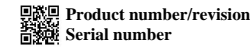
U_XPRO_Extension_TEMPLATE
88CKSCKT_XPRO_connector.SchDoc



U_CryptoSheet
88CKSCKT_XPRO_Socket.SchDoc



LABEL1

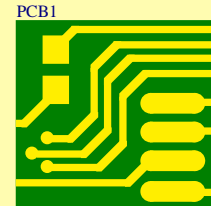


Label PCBA

BOM Variant Component Substitution Table

VARIANT NAME	PCBA DOC	TEST DOC	TEST SFTWR
SOIC Socket	A12-1175	A12-1172	A11-0350
UDFN Socket	A12-1176	A12-1173	A11-0351

Place PCB component here



A08-2550
88CKSCKT PCB

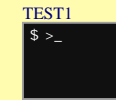
Place PCBA, TEST, TESTDOC documentation components here



A12-1176



A12-1173



A11-0351

Drawn By:
Jim Boomer
Engineer:
Jim Boomer



Project Title
88CKSCKTSOIC-UDFN Socket boards
Sheet Title
XPRO_Extension_TopLevel_Template_4L



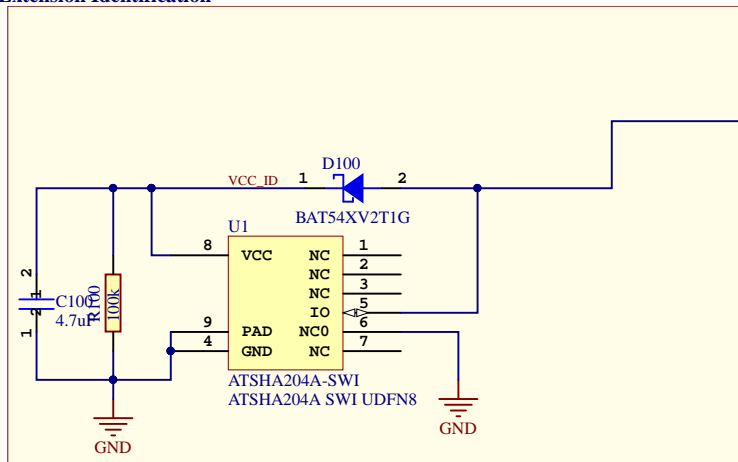
Size A4 PCB Assembly Number: * PCBA Revision: 1
PCB Number: * PCB Revision: *

Date: 11/22/2017

File: 88CKSCKT_XPRO_TopLevel.SchDoc

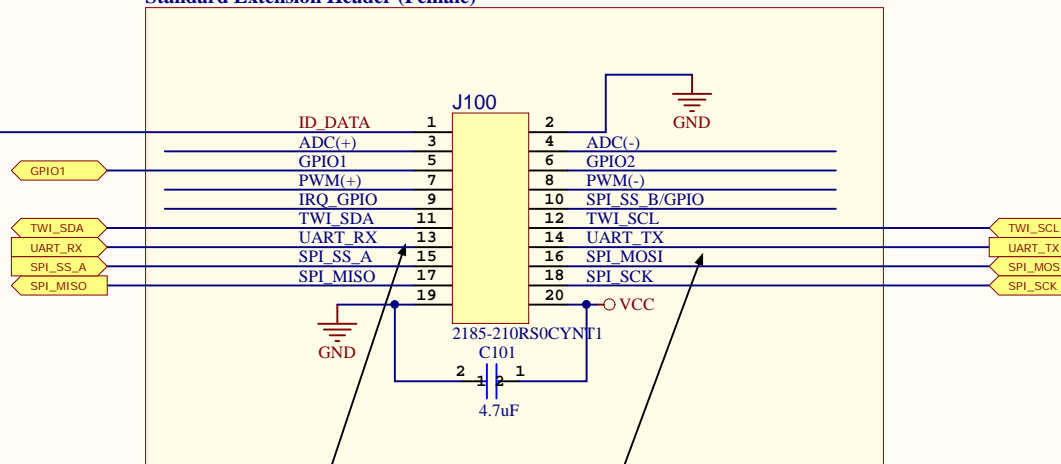
Page: 1 of 3

Extension Identification



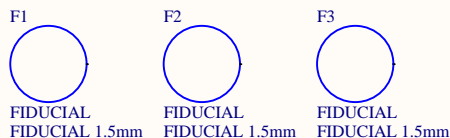
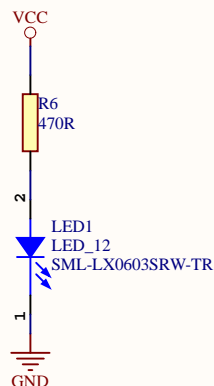
[DESIGN NOTE]
 The ATSHA204 is powered through an IO Pin from the EDBG on an MCU board.
 R100 is present to drain the capacitor C100 when power is removed from an MCU board.

Standard Extension Header (Female)



[DESIGN NOTE]
IMPORTANT NOTICE:
 UART_RX and UART_TX refer to RX (input) and TX (output) at the target device side. Connect UART_RX to TX of the UART device on the extension board and UART_TX to RX of the UART device on the extension board.

LED Power Circuit



Drawn By:
Jim Boomer
 Engineer:
Jim Boomer



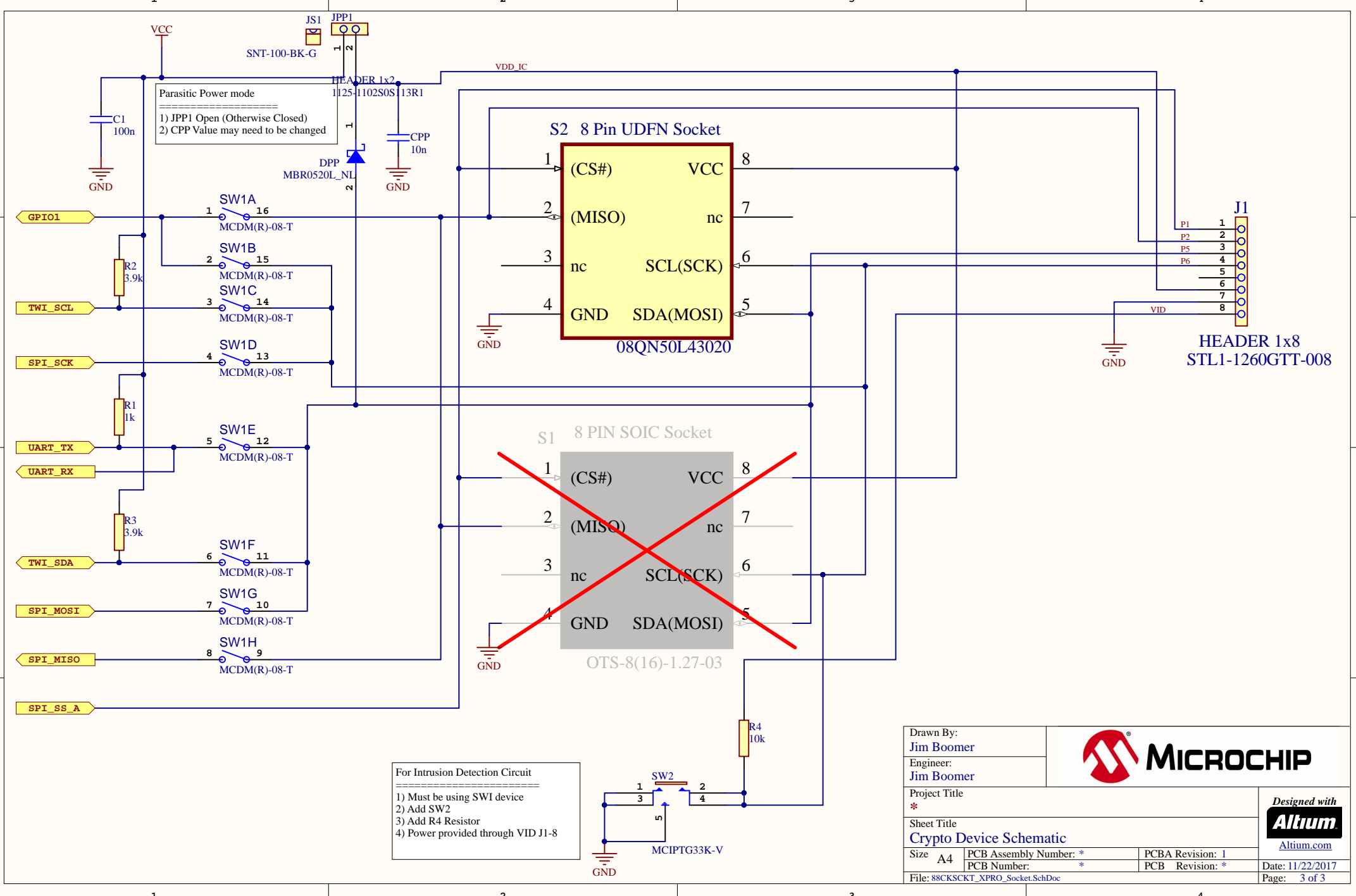
Project Title
 *



Sheet Title
XPRO_Extension_Connector_Template_4L

Size A4 | PCB Assembly Number: * | PCBA Revision: 1
 PCB Number: * | PCB Revision: * | Date: 11/22/2017

File: 88CKSCKT_XPRO_Connector.SchDoc | Page: 2 of 3



Parasitic Power mode
 =====
 1) JPP1 Open (Otherwise Closed)
 2) CPP Value may need to be changed

S2 8 Pin UDFN Socket
 1 (CS#) VCC 8
 2 (MISO) nc 7
 3 nc SCL(SCK) 6
 4 GND SDA(MOSI) 5
 08QN50L43020

S1 8 PIN SOIC Socket
 1 (CS#) VCC 8
 2 (MISO) nc 7
 3 nc SCL(SCK) 6
 4 GND SDA(MOSI) 5
 OTS-8(16)-1.27-03

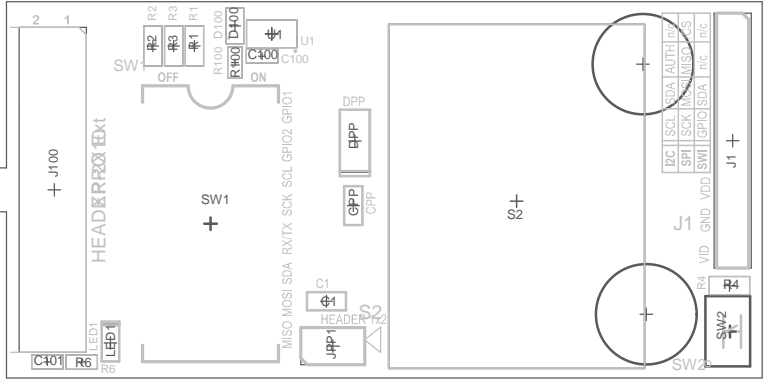
HEADER 1x8
 STL1-1260GTT-008

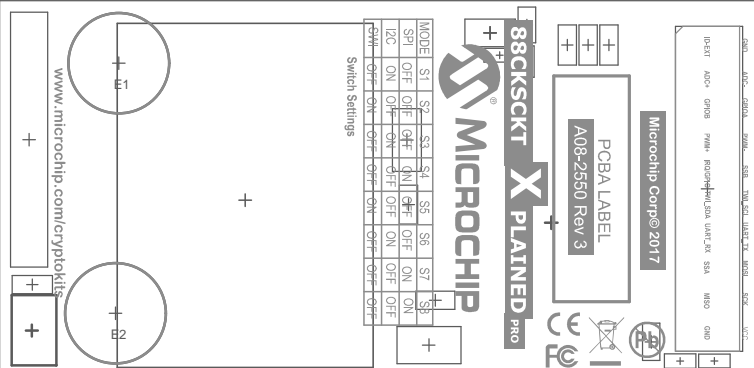
For Intrusion Detection Circuit
 =====
 1) Must be using SWI device
 2) Add SW2
 3) Add R4 Resistor
 4) Power provided through VID J1-8

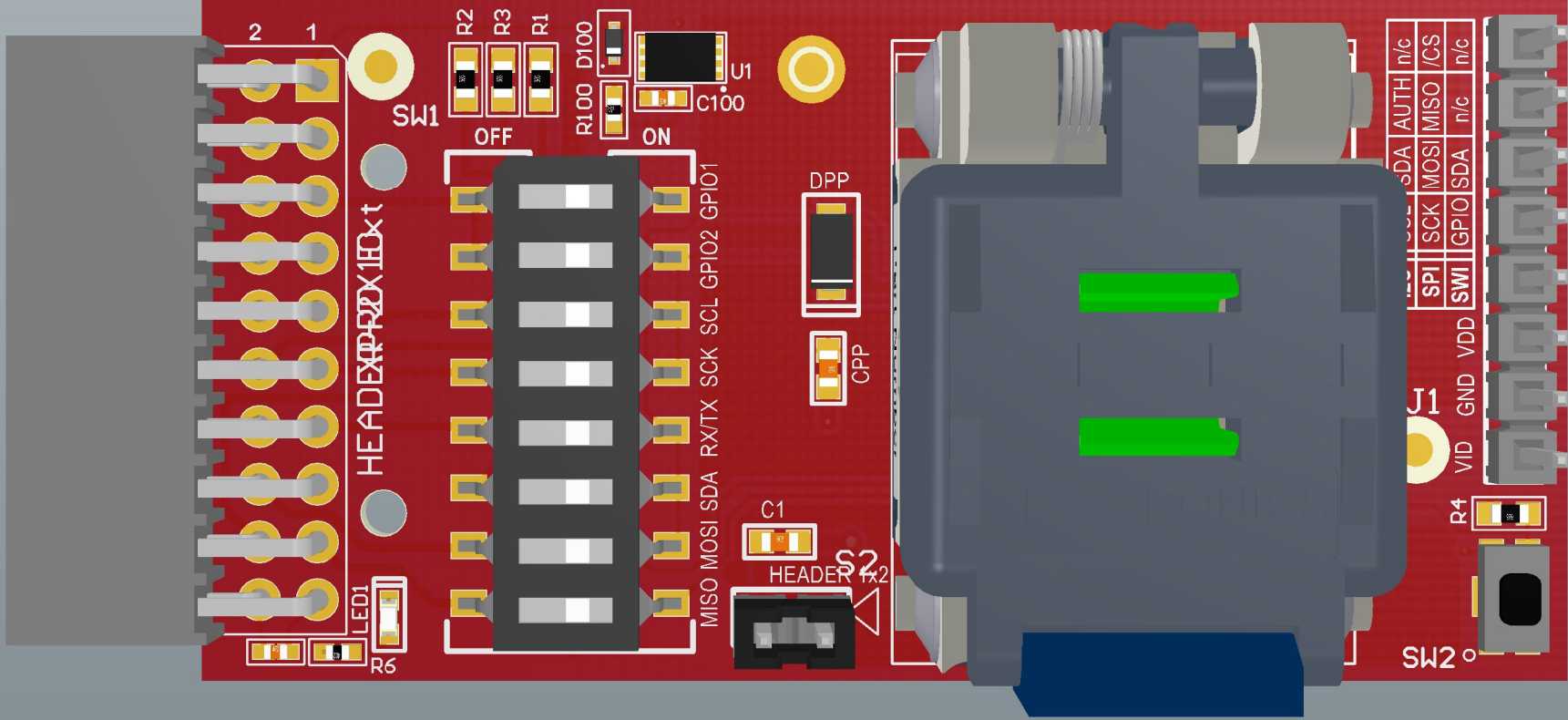
Drawn By:
 Jim Boomer
 Engineer:
 Jim Boomer
 Project Title
 *
 Sheet Title
 Crypto Device Schematic
 Size A4
 PCB Assembly Number: *
 PCB Number: *



PCBA Revision: 1
 PCB Revision: *
 Date: 11/22/2017
 Page: 3 of 3







GND	ADC-	GPIOA	PWM-	SSB	TWI SCL	UART TX	MOSI	SCK	VCC
<input type="checkbox"/>	<input type="checkbox"/>	<input type="checkbox"/>	<input type="checkbox"/>	<input type="checkbox"/>	<input type="checkbox"/>	<input type="checkbox"/>	<input type="checkbox"/>	<input type="checkbox"/>	<input type="checkbox"/>
IDEXT	ADC+	GPIOB	PWM+	IR/DGPI/O	TWI SDA	UART RX	SSA	MISO	GND
<input type="checkbox"/>	<input type="checkbox"/>	<input type="checkbox"/>	<input type="checkbox"/>	<input type="checkbox"/>	<input type="checkbox"/>	<input type="checkbox"/>	<input type="checkbox"/>	<input type="checkbox"/>	<input type="checkbox"/>

Microchip Corp© 2017

PCBA LABEL

A08-2550 Rev 3

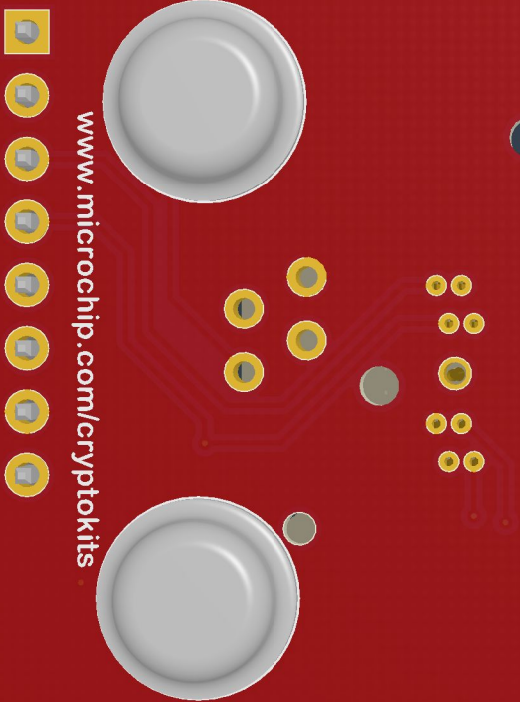


88CKSCKT X PLAINED PRO

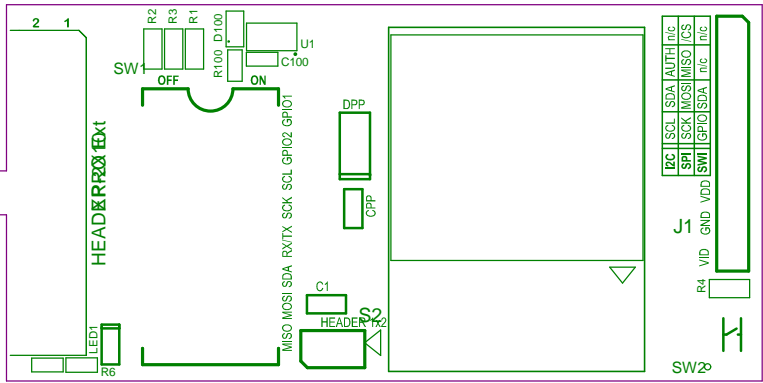


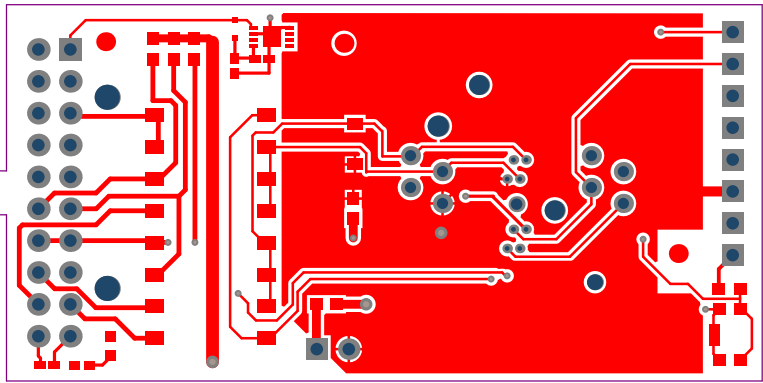
MODE	S1	S2	S3	S4	S5	S6	S7	S8
SPI	OFF	OFF	OFF	ON	OFF	OFF	ON	ON
I2C	ON	OFF	ON	OFF	OFF	ON	OFF	OFF
SWI	OFF	ON	OFF	OFF	ON	OFF	OFF	OFF

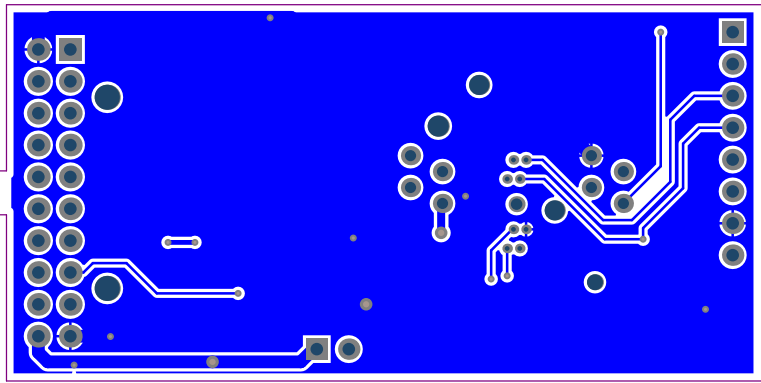
Switch Settings



www.microchip.com/cryptokits







Component list

Bill of Materials Fitted For Variant [UDFN Socket] of Project [88CKSCKT_XPRO.PrjPCB] (No PCB Document Selected)

Source Data From: 88CKSCKT_XPRO.PrjPCB
 Project: 88CKSCKT_XPRO.PrjPCB
 Variant: UDFN Socket



Report Date: 11/22/2017 3:26:24 PM
 Print Date: 11/22/2017 3:21:25 PM

Fitted	Designator	Quantity	Value	Manufacturer	MPN	Description
Fitted	C1	1	100n	AVX	0603YC104KAT2A	Ceramic capacitor, SMD 0603, X7R, 16V, +/-10 %
Fitted	C100, C101	2	4.7uF	Murata	GRM155R60J475ME87D	Ceramic capacitor, SMD 0402, X5R, 6.3V, +/-20% (de33687)
Fitted	CPP	1	10n	tdk	C1608C0G1H100J	Ceramic capacitor, SMD 0603, NPO, 50V, A±5%
Fitted	D100	1	BAT54XV2T1G	ON Semiconductor	BAT54XV2T1G	Schottky diode, If:200mA, Vf:0.35V, Vrrm:30V, SOD-523
Fitted	DOC1	1	A09-2650 PCBA Files			88CKSCKTUDFN PCBA Files
Fitted	DPP	1	MBR0520L_NL	Fairchild	MBR0520L_NL	SMD Schottky diode, 0.5A 20V
Fitted	E1, E2	2	SJ-5076	3M	SJ-5076	2.8mm adhesive feet,diam 8.0mm
Fitted	F1, F2, F3	3	FIDUCIAL 1.5mm			Fiducial point for PCB coordinates 1.5mm pad and 3mm hole in mask
Fitted	J1	1	STL1-1260GTT-008	Gary	STL1-1260GTT-008	1x8 Pin Header, 2.54mm pitch, THM, pin-in-paste, (MPN seems not be valid please use 087-1-008-0-T.XS0-1260 instead)
Fitted	J100	1	2185-210RS0CYNT1	WCON HARDWARE ELECTRONICS CO., LTD	2185-210RS0CYNT1	2x10, female pin header receptable, right-angled, 2.54mm pitch, THM, PIP
Fitted	JPP1	1	1125-1102S0S113R1	WCON HARDWARE ELECTRONICS CO., LTD	1125-1102S0S113R1	1x2 pin header, 2.54mm pitch, Pin-in-Paste THM
Fitted	JS1	1	SNT-100-BK-G	SAMTEC	SNT-100-BK-G	Jumper cap for 2.54mm pinheader
Fitted	LABEL1	1	Label PCBA	ACT Logimark AS	505462	PCBA identification label PP Top White Gloss
Fitted	LED1	1	SML-LX0603SRW-TR	Lumex	SML-LX0603SRW-TR	LED, Red, SMD 0603
Fitted	PCB1	1	88CKSCKT PCB			Common PCB Socket Board for 88CKSCKT50IC/88CKSCKTUDFN/88CKSCTR BH
Fitted	R1	1	1k	KOA	RK73H1JTDD1001F	Thick film resistor, SMD 0603, 1/10W, 1%
Fitted	R100	1	100k			Thick film resistor, SMD 0402, 1/16W, 1%
Fitted	R2, R3	2	3.9k			Thick film resistor, SMD 0603, 1/10W, 1%
Fitted	R4	1	10k	KOA	RK73H1JTDD1002F	Thick film resistor, SMD 0603, 1/10W, 1%
Fitted	R6	1	470R			Thick film resistor, SMD 0402, 1/16W, 1%
Fitted	S2	1	8 Pin UDFN Socket	Plastronics	08QN50L43020	8 Pin UDFN Socket 0.5mm Pin Pitch (Package Size 2.0 x 3.0 mm)
Fitted	SW1	1	MCDM(R)-08-T	Multicomp	MCDM(R)-08-T	Switch 8W DIL SM Multicomp
Fitted	SW2	1	MCIPTG33K-V	Multicomp	MCIPTG33K-V	SMD SWITCH, 2.8X3.8MM VERTICAL PUSH
Fitted	TEST1	1	88CKSCKTUDFN Test			Fixture test for 88CKSCKTUDFN
Fitted	TESTDOC1	1	88CKSCKTUDFN XPRO Test Instructions			88CKSCKTUDFN XPRO Test Instructions
Fitted	U1	1	ATSHA204A SWI UDFN8	ATMEL	ATSHA204A-MAHCZ-T	ATSHA204A with 1-wire interface and UDFN8 package
Not Fitted	S1	0	8 PIN SOIC Socket	Enplas	OTS-8(16)-1.27-03	8 Pin SOIC Socket 1.27mm Pin Pitch (150 Mil Body Width)

		31				
Approved		Notes				

X-ON Electronics

Largest Supplier of Electrical and Electronic Components

Click to view similar products for [Sockets & Adapters](#) category:

Click to view products by [Microchip](#) manufacturer:

Other Similar products are found below :

[6508-0-00-01-00-00-33-0](#) [AC164341](#) [AC164348](#) [1262](#) [22827](#) [AC164353](#) [TDGL015](#) [SA247](#) [SM64TQ-ACTEL-1](#) [70-0036](#) [DS91230+](#)
[SMPA-ISP-ACTEL-3-KIT](#) [16017](#) [LFVDBGF](#) [KIT 70601-3](#) [SM132CQ-ACTEL](#) [IPC0181](#) [IPC0175](#) [IPC0165](#) [AC164397](#) [conga-Thin](#)
[MITX/eDP to DP Adapter](#) [ML-ADP-EVN](#) [ASA.01](#) [ASA.09](#) [ASA.12](#) [ASA.14](#) [TOOLSTICK990MPP](#) [MIKROE-425](#) [C305000ACP2](#)
[110-83-320-41-605101](#) [110-83-632-41-605101](#) [110-83-640-41-605101](#) [110-83-628-41-605101](#) [116-83-306-41-001101](#) [PA0003](#) [PA0007](#)
[PA0009](#) [PA0035](#) [PA0085](#) [PA0096](#) [IPC0079](#) [ATARD-DBGADPT](#) [80-000286](#) [ATSTK600-RC26](#) [ATSTK600-RC46](#) [ATSTK600-RC88](#)
[ATSTK600-SC06](#) [ATSTK600-RC78](#) [SPC560PADPT64S](#) [AC164345](#)