

The Atmel-ICE Debugger



Atmel-ICE is a powerful development tool for debugging and programming ARM® Cortex®-M based Atmel® SAM and Atmel AVR® microcontrollers with On-Chip Debug capability.

It supports:

- Programming and on-chip debugging of all Atmel AVR 32-bit microcontrollers on both JTAG and aWire interfaces
- Programming and on-chip debugging of all Atmel AVR XMEGA® family devices on both JTAG and PDI 2-wire interfaces
- Programming (JTAG, SPI, UPDI) and debugging of all Atmel AVR 8-bit microcontrollers with OCD support on either JTAG, debugWIRE or UPDI interfaces
- Programming and debugging of all Atmel SAM ARM Cortex-M based microcontrollers on both SWD and JTAG interfaces
- Programming (TPI) of all Atmel tinyAVR® 8-bit microcontrollers with support for this interface

Consult the supported devices list in the Atmel Studio User Guide for a full list of devices and interfaces supported by this firmware release.

Table of Contents

| | |
|--|----|
| The Atmel-ICE Debugger..... | 1 |
| 1. Introduction..... | 5 |
| 1.1. Introduction to the Atmel-ICE..... | 5 |
| 1.2. Atmel-ICE Features..... | 5 |
| 1.3. System Requirements..... | 6 |
| 2. Getting Started with the Atmel-ICE..... | 7 |
| 2.1. Full Kit Contents..... | 7 |
| 2.2. Basic Kit Contents..... | 7 |
| 2.3. PCBA Kit Contents..... | 8 |
| 2.4. Spare Parts Kits..... | 8 |
| 2.5. Kit Overview..... | 9 |
| 2.6. Assembling the Atmel-ICE..... | 10 |
| 2.7. Opening the Atmel-ICE..... | 11 |
| 2.8. Powering the Atmel-ICE..... | 13 |
| 2.9. Connecting to the Host Computer..... | 13 |
| 2.10. USB Driver Installation..... | 13 |
| 2.10.1. Windows..... | 13 |
| 3. Connecting the Atmel-ICE..... | 15 |
| 3.1. Connecting to AVR and SAM Target Devices..... | 15 |
| 3.2. Connecting to a JTAG Target..... | 16 |
| 3.3. Connecting to an aWire Target..... | 17 |
| 3.4. Connecting to a PDI Target..... | 18 |
| 3.5. Connecting to a UPDI Target..... | 18 |
| 3.6. Connecting to a debugWIRE Target..... | 19 |
| 3.7. Connecting to an SPI Target..... | 20 |
| 3.8. Connecting to a TPI Target..... | 21 |
| 3.9. Connecting to an SWD Target..... | 22 |
| 3.10. Connecting to Data Gateway Interface..... | 23 |
| 4. On-chip Debugging..... | 24 |
| 4.1. Introduction..... | 24 |
| 4.2. SAM Devices with JTAG/SWD..... | 24 |
| 4.2.1. ARM CoreSight Components..... | 24 |
| 4.2.2. JTAG Physical Interface..... | 25 |
| 4.2.3. Connecting to a JTAG Target..... | 27 |
| 4.2.4. SWD Physical Interface..... | 28 |
| 4.2.5. Connecting to an SWD Target..... | 28 |
| 4.2.6. Special Considerations..... | 29 |
| 4.3. AVR UC3 Devices with JTAG/aWire..... | 29 |
| 4.3.1. Atmel AVR UC3 On-chip Debug System..... | 30 |
| 4.3.2. JTAG Physical Interface..... | 30 |
| 4.3.3. Connecting to a JTAG Target..... | 32 |

| | | |
|-----------|---|-----------|
| 4.3.4. | aWire Physical Interface..... | 33 |
| 4.3.5. | Connecting to an aWire Target..... | 34 |
| 4.3.6. | Special Considerations..... | 35 |
| 4.3.7. | EVTI / EVTO Usage..... | 35 |
| 4.4. | tinyAVR, megaAVR, and XMEGA Devices..... | 35 |
| 4.4.1. | JTAG Physical Interface..... | 36 |
| 4.4.2. | Connecting to a JTAG Target..... | 36 |
| 4.4.3. | SPI Physical Interface..... | 38 |
| 4.4.4. | Connecting to an SPI Target..... | 38 |
| 4.4.5. | PDI..... | 39 |
| 4.4.6. | Connecting to a PDI Target..... | 39 |
| 4.4.7. | UPDI Physical Interface..... | 40 |
| 4.4.8. | Connecting to a UPDI Target..... | 41 |
| 4.4.9. | TPI Physical Interface..... | 42 |
| 4.4.10. | Connecting to a TPI Target..... | 42 |
| 4.4.11. | Advanced Debugging (AVR JTAG /debugWIRE devices)..... | 43 |
| 4.4.12. | megaAVR Special Considerations..... | 44 |
| 4.4.13. | AVR XMEGA Special Considerations..... | 45 |
| 4.4.14. | debugWIRE Special Considerations..... | 46 |
| 4.4.15. | debugWIRE Software Breakpoints..... | 47 |
| 4.4.16. | Understanding debugWIRE and the DWEN Fuse..... | 47 |
| 4.4.17. | TinyX-OCD (UPDI) Special Considerations..... | 48 |
| 5. | Hardware Description..... | 50 |
| 5.1. | LEDs..... | 50 |
| 5.2. | Rear Panel..... | 50 |
| 5.3. | Bottom Panel..... | 51 |
| 5.4. | Architecture Description..... | 51 |
| 5.4.1. | Atmel-ICE Main Board..... | 51 |
| 5.4.2. | Atmel-ICE Target Connectors..... | 52 |
| 5.4.3. | Atmel-ICE Target Connectors Part Numbers..... | 52 |
| 6. | Software Integration..... | 53 |
| 6.1. | Atmel Studio..... | 53 |
| 6.1.1. | Software Integration in Atmel Studio..... | 53 |
| 6.1.2. | Programming Options..... | 53 |
| 6.1.3. | Debug Options..... | 53 |
| 6.2. | Command Line Utility..... | 54 |
| 7. | Advanced Debugging Techniques..... | 55 |
| 7.1. | Atmel AVR UC3 Targets..... | 55 |
| 7.1.1. | EVTI / EVTO Usage..... | 55 |
| 7.2. | debugWIRE Targets..... | 55 |
| 7.2.1. | debugWIRE Software Breakpoints..... | 55 |
| 8. | Release History and Known issues..... | 57 |
| 8.1. | Firmware Release History..... | 57 |
| 8.2. | Known Issues Concerning the Atmel-ICE..... | 57 |
| 8.2.1. | General..... | 57 |

| | | |
|--------|--|----|
| 8.2.2. | Atmel AVR XMEGA OCD Specific Issues..... | 57 |
| 8.2.3. | Atmel AVR - Device Specific Issues..... | 58 |
| 9. | Product Compliance..... | 59 |
| 9.1. | RoHS and WEEE..... | 59 |
| 9.2. | CE and FCC..... | 59 |
| 10. | Revision History..... | 60 |

1. Introduction

1.1. Introduction to the Atmel-ICE

Atmel-ICE is a powerful development tool for debugging and programming ARM Cortex-M based Atmel SAM and Atmel AVR microcontrollers with On-Chip Debug capability.

It supports:

- Programming and on-chip debugging of all Atmel AVR UC3 microcontrollers on both JTAG and aWire interfaces
- Programming and on-chip debugging of all AVR XMEGA family devices on both JTAG and PDI 2-wire interfaces
- Programming (JTAG and SPI) and debugging of all AVR 8-bit microcontrollers with OCD support on both JTAG or debugWIRE interfaces
- Programming and debugging of all Atmel SAM ARM Cortex-M based microcontrollers on both SWD and JTAG interfaces
- Programming (TPI) of all Atmel tinyAVR 8-bit microcontrollers with support for this interface

1.2. Atmel-ICE Features

- Fully compatible with Atmel Studio
- Supports programming and debugging of all Atmel AVR UC3 32-bit microcontrollers
- Supports programming and debugging of all 8-bit AVR XMEGA devices
- Supports programming and debugging of all 8-bit Atmel megaAVR[®] and tinyAVR devices with OCD
- Supports programming and debugging of all SAM ARM Cortex-M based microcontrollers
- Target operating voltage range of 1.62V to 5.5V
- Draws less than 3mA from target VTref when using debugWIRE interface and less than 1mA for all other interfaces
- Supports JTAG clock frequencies from 32kHz to 7.5MHz
- Supports PDI clock frequencies from 32kHz to 7.5MHz
- Supports debugWIRE baud rates from 4kbit/s to 0.5Mbit/s
- Supports aWire baud rates from 7.5kbit/s to 7Mbit/s
- Supports SPI clock frequencies from 8kHz to 5MHz
- Supports UPDI baud rates from up to 750kbit/s
- Supports SWD clock frequencies from 32kHz to 10MHz
- USB 2.0 high-speed host interface
- ITM serial trace capture at up to 3MB/s
- Supports DGI SPI and USART interfaces when not debugging or programming
- Supports 10-pin 50-mil JTAG connector with both AVR and Cortex pinouts. The standard probe cable supports AVR 6-pin ISP/PDI/TPI 100-mil headers as well as 10-pin 50-mil. An adapter is available to support 6-pin 50-mil, 10-pin 100-mil, and 20-pin 100-mil headers. Several kit options are available with different cabling and adapters.

1.3. System Requirements

The Atmel-ICE unit requires that a front-end debugging environment Atmel Studio version 6.2 or later is installed on your computer.

The Atmel-ICE should be connected to the host computer using the USB cable provided, or a certified Micro-USB cable.

2. Getting Started with the Atmel-ICE

2.1. Full Kit Contents

The Atmel-ICE full kit contains these items:

- Atmel-ICE unit
- USB cable (1.8m, high-speed, Micro-B)
- Adapter board containing 50-mil AVR, 100-mil AVR/SAM, and 100-mil 20-pin SAM adapters
- IDC flat cable with 10-pin 50-mil connector and 6-pin 100-mil connector
- 50-mil 10-pin mini squid cable with 10 x 100-mil sockets

Figure 2-1. Atmel-ICE Full Kit Contents



2.2. Basic Kit Contents

The Atmel-ICE basic kit contains these items:

- Atmel-ICE unit
- USB cable (1.8m, high-speed, Micro-B)
- IDC flat cable with 10-pin 50-mil connector and 6-pin 100-mil connector

Figure 2-2. Atmel-ICE Basic Kit Contents

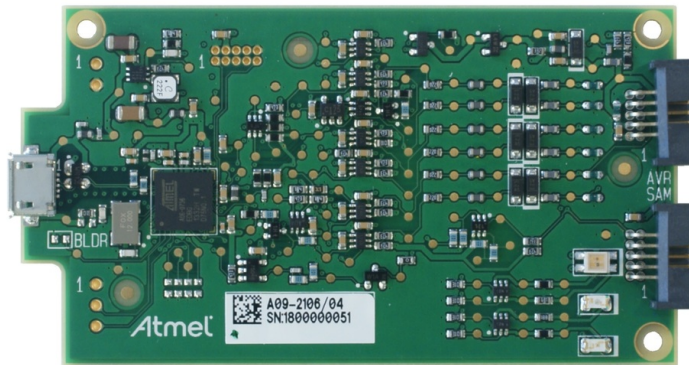


2.3. PCBA Kit Contents

The Atmel-ICE PCBA kit contains these items:

- Atmel-ICE unit without plastic encapsulation

Figure 2-3. Atmel-ICE PCBA Kit Contents



2.4. Spare Parts Kits

The following spare parts kits are available:

- Adapter kit
- Cable kit

Figure 2-4. Atmel-ICE Adapter Kit Contents



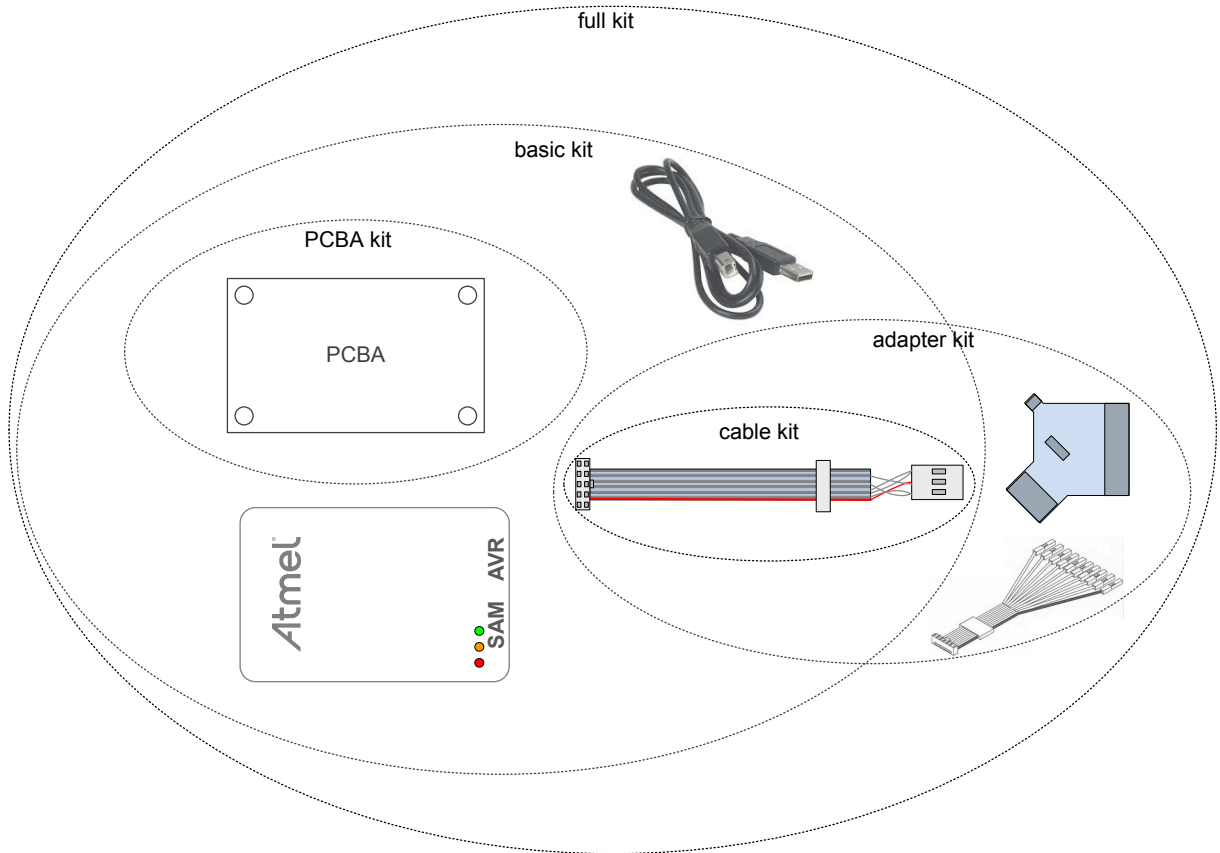
Figure 2-5. Atmel-ICE Cable Kit Contents



2.5. Kit Overview

The Atmel-ICE kit options are shown diagrammatically here:

Figure 2-6. Atmel-ICE Kit Overview

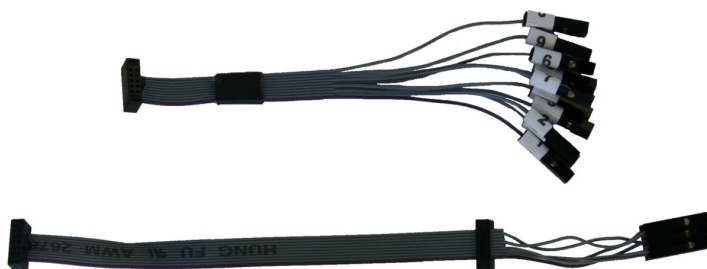


2.6. Assembling the Atmel-ICE

The Atmel-ICE unit is shipped with no cables attached. Two cable options are provided in the full kit:

- 50-mil 10-pin IDC flat cable with 6-pin ISP and 10-pin connectors
- 50-mil 10-pin mini-squid cable with 10 x 100-mil sockets

Figure 2-7. Atmel-ICE Cables



For most purposes, the 50-mil 10-pin IDC flat cable can be used, connecting either natively to its 10-pin or 6-pin connectors, or connecting via the adapter board. Three adapters are provided on one small PCBA. The following adapters are included:

- 100-mil 10-pin JTAG/SWD adapter
- 100-mil 20-pin SAM JTAG/SWD adapter
- 50-mil 6-pin SPI/debugWIRE/PDI/aWire adapter

Figure 2-8. Atmel-ICE Adapters



Note:

A 50-mil JTAG adapter has not been provided - this is because the 50-mil 10-pin IDC cable can be used to connect directly to a 50-mil JTAG header. For the part number of the component used for the 50-mil 10-pin connector, see [Atmel-ICE Target Connectors Part Numbers](#).

The 6-pin ISP/PDI header is included as part of the 10-pin IDC cable. This termination can be cut off if it is not required.

To assemble your Atmel-ICE into its default configuration, connect the 10-pin 50-mil IDC cable to the unit as shown below. Be sure to orient the cable so that the red wire (pin 1) on the cable aligns with the triangular indicator on the blue belt of the enclosure. The cable should connect upwards from the unit. Be sure to connect to the port corresponding to the pinout of your target - AVR or SAM.

Figure 2-9. Atmel-ICE Cable Connection



Figure 2-10. Atmel-ICE AVR Probe Connection

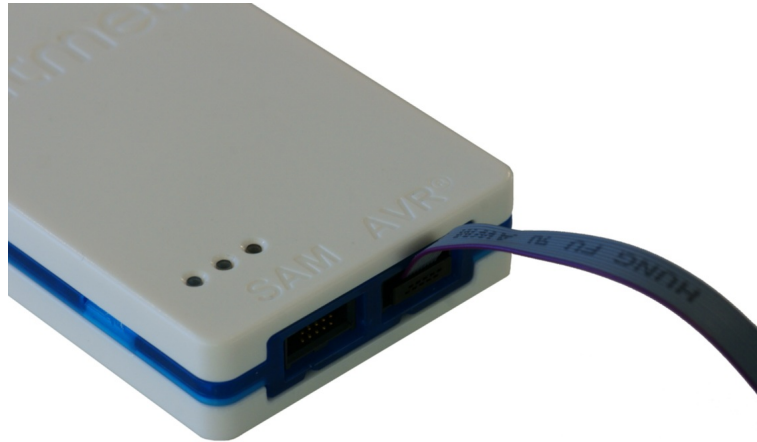
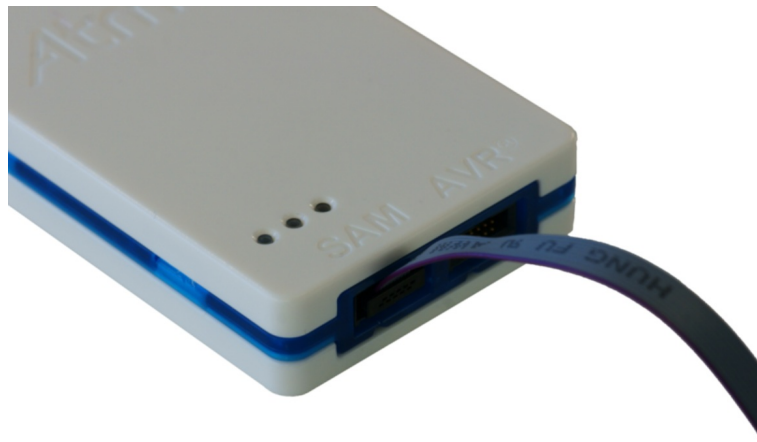


Figure 2-11. Atmel-ICE SAM Probe Connection



2.7. Opening the Atmel-ICE

Note:

For normal operation, the Atmel-ICE unit must not be opened. Opening the unit is done at your own risk. Anti-static precautions should be taken.

The Atmel-ICE enclosure consists of three separate plastic components - top cover, bottom cover, and blue belt - which are snapped together during assembly. To open the unit, simply insert a large flat

screwdriver into the openings in the blue belt, apply some inward pressure and twist gently. Repeat the process on the other snapper holes, and the top cover will pop off.

Figure 2-12. Opening the Atmel-ICE (1)



Figure 2-13. Opening the Atmel-ICE (2)



Figure 2-14. Opening the Atmel-ICE(3)



To close the unit again, simply align the top and bottom covers correctly, and press firmly together.

2.8. Powering the Atmel-ICE

The Atmel-ICE is powered by the USB bus voltage. It requires less than 100mA to operate, and can therefore be powered through a USB hub. The power LED will illuminate when the unit is plugged in. When not connected in an active programming or debugging session, the unit will enter low-power consumption mode to preserve your computer's battery. The Atmel-ICE cannot be powered down - it should be unplugged when not in use.

2.9. Connecting to the Host Computer

The Atmel-ICE communicates primarily using a standard HID interface, and does not require a special driver on the host computer. To use the advanced Data Gateway functionality of the Atmel-ICE, be sure to install the USB driver on the host computer. This is done automatically when installing the front-end software provided free by Atmel. See www.atmel.com for further information or to download the latest front-end software.

The Atmel-ICE must be connected to an available USB port on the host computer using the USB cable provided, or suitable USB certified micro cable. The Atmel-ICE contains a USB 2.0 compliant controller, and can operate in both full-speed and high-speed modes. For best results, connect the Atmel-ICE directly to a USB 2.0 compliant high-speed hub on the host computer using the cable provided.

2.10. USB Driver Installation

2.10.1. Windows

When installing the Atmel-ICE on a computer running Microsoft® Windows®, the USB driver is loaded when the Atmel-ICE is first plugged in.

Note:

Be sure to install the front-end software packages before plugging the unit in for the first time.

Once successfully installed, the Atmel-ICE will appear in the device manager as a "Human Interface Device".

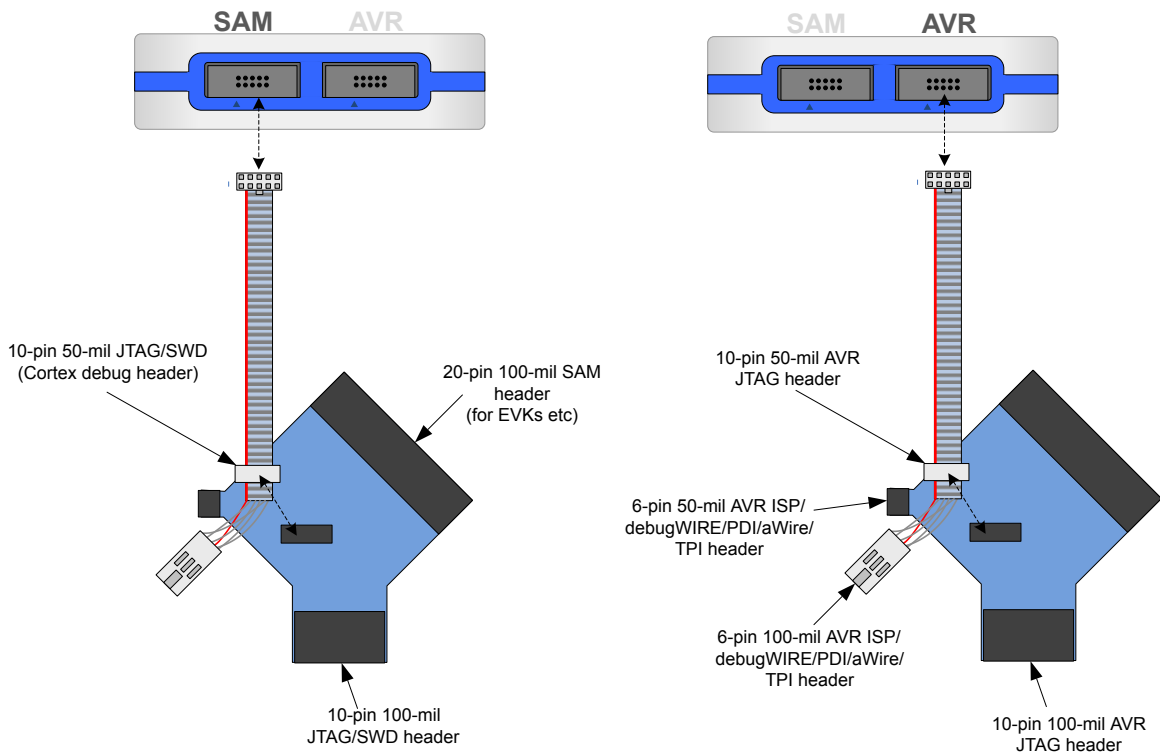
3. Connecting the Atmel-ICE

3.1. Connecting to AVR and SAM Target Devices

The Atmel-ICE is equipped with two 50-mil 10-pin JTAG connectors. Both connectors are directly electrically connected, but conform to two different pinouts; the AVR JTAG header and the ARM Cortex Debug header. The connector should be selected based on the pinout of the target board, and not the target MCU type - for example a SAM device mounted in an AVR STK[®]600 stack should use the AVR header.

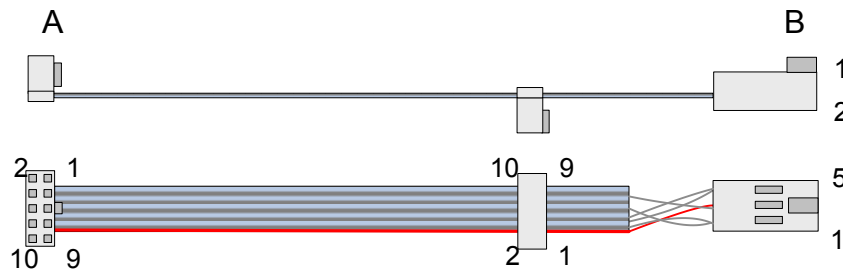
Various cabling and adapters are available in the different Atmel-ICE kits. An overview of connection options is shown.

Figure 3-1. Atmel-ICE Connection Options



The red wire marks pin 1 of the 10-pin 50-mil connector. Pin 1 of the 6-pin 100-mil connector is placed to the right of the keying when the connector is seen from the cable. Pin 1 of each connector on the adapter is marked with a white dot. The figure below shows the pinout of the debug cable. The connector marked A plugs into the debugger while the B side plugs into the target board.

Figure 3-2. Debug Cable Pinout



3.2. Connecting to a JTAG Target

The Atmel-ICE is equipped with two 50-mil 10-pin JTAG connectors. Both connectors are directly electrically connected, but conform to two different pinouts; the AVR JTAG header and the ARM Cortex Debug header. The connector should be selected based on the pinout of the target board, and not the target MCU type - for example a SAM device mounted in an AVR STK600 stack should use the AVR header.

The recommended pinout for the 10-pin AVR JTAG connector is shown in [Figure 4-6](#).

The recommended pinout for the 10-pin ARM Cortex Debug connector is shown in [Figure 4-2](#).

Direct connection to a standard 10-pin 50-mil header

Use the 50-mil 10-pin flat cable (included in some kits) to connect directly to a board supporting this header type. Use the AVR connector port on the Atmel-ICE for headers with the AVR pinout, and the SAM connector port for headers complying with the ARM Cortex Debug header pinout.

The pinouts for both 10-pin connector ports are shown below.

Connection to a standard 10-pin 100-mil header

Use a standard 50-mil to 100-mil adapter to connect to 100-mil headers. An adapter board (included in some kits) can be used for this purpose, or alternatively the JTAGICE3 adapter can be used for AVR targets.



Important:

The JTAGICE3 100-mil adapter cannot be used with the SAM connector port, since pins 2 and 10 (AVR GND) on the adapter are connected.

Connection to a custom 100-mil header

If your target board does not have a compliant 10-pin JTAG header in 50- or 100-mil, you can map to a custom pinout using the 10-pin "mini-squid" cable (included in some kits), which gives access to ten individual 100-mil sockets.

Connection to a 20-pin 100-mil header

Use the adapter board (included in some kits) to connect to targets with a 20-pin 100-mil header.

Table 3-1. Atmel-ICE JTAG Pin Description

| Name | AVR port pin | SAM port pin | Description |
|-------|--------------|--------------|---|
| TCK | 1 | 4 | Test Clock (clock signal from the Atmel-ICE into the target device). |
| TMS | 5 | 2 | Test Mode Select (control signal from the Atmel-ICE into the target device). |
| TDI | 9 | 8 | Test Data In (data transmitted from the Atmel-ICE into the target device). |
| TDO | 3 | 6 | Test Data Out (data transmitted from the target device into the Atmel-ICE). |
| nTRST | 8 | - | Test Reset (optional, only on some AVR devices). Used to reset the JTAG TAP controller. |

| Name | AVR port pin | SAM port pin | Description |
|-------|--------------|--------------|--|
| nSRST | 6 | 10 | Reset (optional). Used to reset the target device. Connecting this pin is recommended since it allows the Atmel-ICE to hold the target device in a reset state, which can be essential to debugging in certain scenarios. |
| VTG | 4 | 1 | Target voltage reference. The Atmel-ICE samples the target voltage on this pin in order to power the level converters correctly. The Atmel-ICE draws less than 3mA from this pin in debugWIRE mode and less than 1mA in other modes. |
| GND | 2, 10 | 3, 5, 9 | Ground. All must be connected to ensure that the Atmel-ICE and the target device share the same ground reference. |

3.3. Connecting to an aWire Target

The aWire interface requires only one data line in addition to V_{CC} and GND. On the target this line is the nRESET line, although the debugger uses the JTAG TDO line as the data line.

The recommended pinout for the 6-pin aWire connector is shown in [Figure 4-8](#).

Connection to a 6-pin 100-mil aWire header

Use the 6-pin 100-mil tap on the flat cable (included in some kits) to connect to a standard 100-mil aWire header.

Connection to a 6-pin 50-mil aWire header

Use the adapter board (included in some kits) to connect to a standard 50-mil aWire header.

Connection to a custom 100-mil header

The 10-pin mini-squid cable should be used to connect between the Atmel-ICE AVR connector port and the target board. Three connections are required, as described in the table below.

Table 3-2. Atmel-ICE aWire Pin Mapping

| Atmel-ICE AVR port pins | Target pins | Mini-squid pin | aWire pinout |
|-------------------------|-------------|----------------|--------------|
| Pin 1 (TCK) | | 1 | |
| Pin 2 (GND) | GND | 2 | 6 |
| Pin 3 (TDO) | DATA | 3 | 1 |
| Pin 4 (VTG) | VTG | 4 | 2 |
| Pin 5 (TMS) | | 5 | |
| Pin 6 (nSRST) | | 6 | |
| Pin 7 (Not connected) | | 7 | |
| Pin 8 (nTRST) | | 8 | |
| Pin 9 (TDI) | | 9 | |
| Pin 10 (GND) | | 0 | |

3.4. Connecting to a PDI Target

The recommended pinout for the 6-pin PDI connector is shown in [Figure 4-11](#).

Connection to a 6-pin 100-mil PDI header

Use the 6-pin 100-mil tap on the flat cable (included in some kits) to connect to a standard 100-mil PDI header.

Connection to a 6-pin 50-mil PDI header

Use the adapter board (included in some kits) to connect to a standard 50-mil PDI header.

Connection to a custom 100-mil header

The 10-pin mini-squid cable should be used to connect between the Atmel-ICE AVR connector port and the target board. Four connections are required, as described in the table below.



Important:

The pinout required is different from the JTAGICE mkII JTAG probe, where PDI_DATA is connected to pin 9. The Atmel-ICE is compatible with the pinout used by the Atmel-ICE, JTAGICE3, AVR ONE!, and AVR Dragon™ products.

Table 3-3. Atmel-ICE PDI Pin Mapping

| Atmel-ICE AVR port pin | Target pins | Mini-squid pin | Atmel STK600 PDI pinout |
|------------------------|-------------|----------------|-------------------------|
| Pin 1 (TCK) | | 1 | |
| Pin 2 (GND) | GND | 2 | 6 |
| Pin 3 (TDO) | PDI_DATA | 3 | 1 |
| Pin 4 (VTG) | VTG | 4 | 2 |
| Pin 5 (TMS) | | 5 | |
| Pin 6 (nSRST) | PDI_CLK | 6 | 5 |
| Pin 7 (not connected) | | 7 | |
| Pin 8 (nTRST) | | 8 | |
| Pin 9 (TDI) | | 9 | |
| Pin 10 (GND) | | 0 | |

3.5. Connecting to a UPDI Target

The recommended pinout for the 6-pin UPDI connector is shown in [Figure 4-12](#).

Connection to a 6-pin 100-mil UPDI header

Use the 6-pin 100-mil tap on the flat cable (included in some kits) to connect to a standard 100-mil UPDI header.

Connection to a 6-pin 50-mil UPDI header

Use the adapter board (included in some kits) to connect to a standard 50-mil UPDI header.

Connection to a custom 100-mil header

The 10-pin mini-squid cable should be used to connect between the Atmel-ICE AVR connector port and the target board. Three connections are required, as described in the table below.

Table 3-4. Atmel-ICE UPDI Pin Mapping

| Atmel-ICE AVR port pin | Target pins | Mini-squid pin | Atmel STK600 UPDI pinout |
|------------------------|----------------|----------------|--------------------------|
| Pin 1 (TCK) | | 1 | |
| Pin 2 (GND) | GND | 2 | 6 |
| Pin 3 (TDO) | UPDI_DATA | 3 | 1 |
| Pin 4 (VTG) | VTG | 4 | 2 |
| Pin 5 (TMS) | | 5 | |
| Pin 6 (nSRST) | [/RESET sense] | 6 | 5 |
| Pin 7 (Not connected) | | 7 | |
| Pin 8 (nTRST) | | 8 | |
| Pin 9 (TDI) | | 9 | |
| Pin 10 (GND) | | 0 | |

3.6. Connecting to a debugWIRE Target

The recommended pinout for the 6-pin debugWIRE (SPI) connector is shown in [Table 3-6](#).

Connection to a 6-pin 100-mil SPI header

Use the 6-pin 100-mil tap on the flat cable (included in some kits) to connect to a standard 100-mil SPI header.

Connection to a 6-pin 50-mil SPI header

Use the adapter board (included in some kits) to connect to a standard 50-mil SPI header.

Connection to a custom 100-mil header

The 10-pin mini-squid cable should be used to connect between the Atmel-ICE AVR connector port and the target board. Three connections are required, as described in [Table 3-5](#).

Although the debugWIRE interface only requires one signal line (RESET), V_{CC} and GND to operate correctly, it is advised to have access to the full SPI connector so that the debugWIRE interface can be enabled and disabled using SPI programming.

When the DWEN fuse is enabled the SPI interface is overridden internally in order for the OCD module to have control over the RESET pin. The debugWIRE OCD is capable of disabling itself temporarily (using the button on the debugging tab in the properties dialog in Atmel Studio), thus releasing control of the RESET line. The SPI interface is then available again (only if the SPIEN fuse is programmed), allowing the DWEN fuse to be un-programmed using the SPI interface. If power is toggled before the DWEN fuse is un-programmed, the debugWIRE module will again take control of the RESET pin.

Note:

It is highly advised to simply let Atmel Studio handle setting and clearing of the DWEN fuse.

It is not possible to use the debugWIRE interface if the lockbits on the target AVR device are programmed. Always be sure that the lockbits are cleared before programming the DWEN fuse and never set the lockbits while the DWEN fuse is programmed. If both the debugWIRE enable fuse (DWEN) and lockbits are set, one can use High Voltage Programming to do a chip erase, and thus clear the lockbits. When the lockbits are cleared the debugWIRE interface will be re-enabled. The SPI Interface is only capable of reading fuses, reading signature and performing a chip erase when the DWEN fuse is un-programmed.

Table 3-5. Atmel-ICE debugWIRE Pin Mapping

| Atmel-ICE AVR port pin | Target pins | Mini-squid pin |
|------------------------|-------------|----------------|
| Pin 1 (TCK) | | 1 |
| Pin 2 (GND) | GND | 2 |
| Pin 3 (TDO) | | 3 |
| Pin 4 (VTG) | VTG | 4 |
| Pin 5 (TMS) | | 5 |
| Pin 6 (nSRST) | RESET | 6 |
| Pin 7 (Not connected) | | 7 |
| Pin 8 (nTRST) | | 8 |
| Pin 9 (TDI) | | 9 |
| Pin 10 (GND) | | 0 |

3.7. Connecting to an SPI Target

The recommended pinout for the 6-pin SPI connector is shown in [Figure 4-10](#).

Connection to a 6-pin 100-mil SPI header

Use the 6-pin 100-mil tap on the flat cable (included in some kits) to connect to a standard 100-mil SPI header.

Connection to a 6-pin 50-mil SPI header

Use the adapter board (included in some kits) to connect to a standard 50-mil SPI header.

Connection to a custom 100-mil header

The 10-pin mini-squid cable should be used to connect between the Atmel-ICE AVR connector port and the target board. Six connections are required, as described in the table below.



Important:

The SPI interface is effectively disabled when the debugWIRE enable fuse (DWEN) is programmed, even if SPIEN fuse is also programmed. To re-enable the SPI interface, the 'disable debugWIRE' command must be issued while in a debugWIRE debugging session. Disabling debugWIRE in this manner requires that the SPIEN fuse is already programmed. If Atmel Studio fails to disable debugWIRE, it is probable because the SPIEN fuse is NOT programmed. If this is the case, it is necessary to use a high-voltage programming interface to program the SPIEN fuse.

**Info:**

The SPI interface is often referred to as "ISP", since it was the first In System Programming interface on Atmel AVR products. Other interfaces are now available for In System Programming.

Table 3-6. Atmel-ICE SPI Pin Mapping

| Atmel-ICE AVR port pins | Target pins | Mini-squid pin | SPI pinout |
|-------------------------|-------------|----------------|------------|
| Pin 1 (TCK) | SCK | 1 | 3 |
| Pin 2 (GND) | GND | 2 | 6 |
| Pin 3 (TDO) | MISO | 3 | 1 |
| Pin 4 (VTG) | VTG | 4 | 2 |
| Pin 5 (TMS) | | 5 | |
| Pin 6 (nSRST) | /RESET | 6 | 5 |
| Pin 7 (not connected) | | 7 | |
| Pin 8 (nTRST) | | 8 | |
| Pin 9 (TDI) | MOSI | 9 | 4 |
| Pin 10 (GND) | | 0 | |

3.8. Connecting to a TPI Target

The recommended pinout for the 6-pin TPI connector is shown in [Figure 4-13](#).

Connection to a 6-pin 100-mil TPI header

Use the 6-pin 100-mil tap on the flat cable (included in some kits) to connect to a standard 100-mil TPI header.

Connection to a 6-pin 50-mil TPI header

Use the adapter board (included in some kits) to connect to a standard 50-mil TPI header.

Connection to a custom 100-mil header

The 10-pin mini-squid cable should be used to connect between the Atmel-ICE AVR connector port and the target board. Six connections are required, as described in the table below.

Table 3-7. Atmel-ICE TPI Pin Mapping

| Atmel-ICE AVR port pins | Target pins | Mini-squid pin | TPI pinout |
|-------------------------|-------------|----------------|------------|
| Pin 1 (TCK) | CLOCK | 1 | 3 |
| Pin 2 (GND) | GND | 2 | 6 |
| Pin 3 (TDO) | DATA | 3 | 1 |
| Pin 4 (VTG) | VTG | 4 | 2 |
| Pin 5 (TMS) | | 5 | |

| Atmel-ICE AVR port pins | Target pins | Mini-squid pin | TPI pinout |
|-------------------------|-------------|----------------|------------|
| Pin 6 (nSRST) | /RESET | 6 | 5 |
| Pin 7 (not connected) | | 7 | |
| Pin 8 (nTRST) | | 8 | |
| Pin 9 (TDI) | | 9 | |
| Pin 10 (GND) | | 0 | |

3.9. Connecting to an SWD Target

The ARM SWD interface is a subset of the JTAG interface, making use of the TCK and TMS pins, which means that when connecting to an SWD device, the 10-pin JTAG connector can technically be used. The ARM JTAG and AVR JTAG connectors are, however, not pin-compatible, so this depends upon the layout of the target board in use. When using an STK600 or a board making use of the AVR JTAG pinout, the AVR connector port on the Atmel-ICE must be used. When connecting to a board, which makes use of the ARM JTAG pinout, the SAM connector port on the Atmel-ICE must be used.

The recommended pinout for the 10-pin Cortex Debug connector is shown in [Figure 4-4](#).

Connection to a 10-pin 50-mil Cortex header

Use the flat cable (included in some kits) to connect to a standard 50-mil Cortex header.

Connection to a 10-pin 100-mil Cortex-layout header

Use the adapter board (included in some kits) to connect to a 100-mil Cortex-pinout header.

Connection to a 20-pin 100-mil SAM header

Use the adapter board (included in some kits) to connect to a 20-pin 100-mil SAM header.

Connection to a custom 100-mil header

The 10-pin mini-squid cable should be used to connect between the Atmel-ICE AVR or SAM connector port and the target board. Six connections are required, as described in the table below.

Table 3-8. Atmel-ICE SWD Pin Mapping

| Name | AVR port pin | SAM port pin | Description |
|---------|--------------|--------------|--|
| SWDC LK | 1 | 4 | Serial Wire Debug Clock. |
| SWDIO | 5 | 2 | Serial Wire Debug Data Input/Output. |
| SWO | 3 | 6 | Serial Wire Output (optional- not implemented on all devices). |
| nSRST | 6 | 10 | Reset. |
| VTG | 4 | 1 | Target voltage reference. |
| GND | 2, 10 | 3, 5, 9 | Ground. |

3.10. Connecting to Data Gateway Interface

The Atmel-ICE supports a limited Data Gateway Interface (DGI) when debugging and programming is not in use. Functionality is identical to that found on Atmel Xplained Pro kits powered by the Atmel EDBG device.

The Data Gateway Interface is an interface for streaming data from the target device to a computer. This is meant as an aid in application debugging as well as for demonstration of features in the application running on the target device.

DGI consists of multiple channels for data streaming. The Atmel-ICE supports the following modes:

- USART
- SPI

Table 3-9. Atmel-ICE DGI USART Pinout

| AVR port | SAM port | DGI USART pin | Description |
|----------|----------|---------------|--|
| 3 | 6 | TX | Transmit pin from Atmel-ICE to the target device |
| 4 | 1 | VTG | Target voltage (reference voltage) |
| 8 | 7 | RX | Receive pin from the target device to Atmel-ICE |
| 9 | 8 | CLK | USART clock |
| 2, 10 | 3, 5, 9 | GND | Ground |

Table 3-10. Atmel-ICE DGI SPI Pinout

| AVR port | SAM port | DGI SPI pin | Description |
|----------|----------|-------------|------------------------------------|
| 1 | 4 | SCK | SPI clock |
| 3 | 6 | MISO | Master In Slave Out |
| 4 | 1 | VTG | Target voltage (reference voltage) |
| 5 | 2 | nCS | Chip select active low |
| 9 | 8 | MOSI | Master Out Slave In |
| 2, 10 | 3, 5, 9 | GND | Ground |



Important: SPI and USART interfaces can not be used simultaneously.



Important: DGI and programming or debugging cannot be used simultaneously.

4. On-chip Debugging

4.1. Introduction

On-chip Debugging

An on-chip debug module is a system allowing a developer to monitor and control execution on a device from an external development platform, usually through a device known as a *debugger* or *debug adapter*.

With an OCD system the application can be executed whilst maintaining exact electrical and timing characteristics in the target system, while being able to stop execution conditionally or manually and inspect program flow and memory.

Run Mode

When in Run mode, the execution of code is completely independent of the Atmel-ICE. The Atmel-ICE will continuously monitor the target device to see if a break condition has occurred. When this happens the OCD system will interrogate the device through its debug interface, allowing the user to view the internal state of the device.

Stopped Mode

When a breakpoint is reached, the program execution is halted, but some I/O may continue to run as if no breakpoint had occurred. For example, assume that a USART transmit has just been initiated when a breakpoint is reached. In this case the USART continues to run at full speed completing the transmission, even though the core is in stopped mode.

Hardware Breakpoints

The target OCD module contains a number of program counter comparators implemented in the hardware. When the program counter matches the value stored in one of the comparator registers, the OCD enters stopped mode. Since hardware breakpoints require dedicated hardware on the OCD module, the number of breakpoints available depends upon the size of the OCD module implemented on the target. Usually one such hardware comparator is 'reserved' by the debugger for internal use.

Software Breakpoints

A software breakpoint is a BREAK instruction placed in program memory on the target device. When this instruction is loaded, program execution will break and the OCD enters stopped mode. To continue execution a "start" command has to be given from the OCD. Not all Atmel devices have OCD modules supporting the BREAK instruction.

4.2. SAM Devices with JTAG/SWD

All SAM devices feature the SWD interface for programming and debugging. In addition, some SAM devices feature a JTAG interface with identical functionality. Check the device datasheet for supported interfaces of that device.

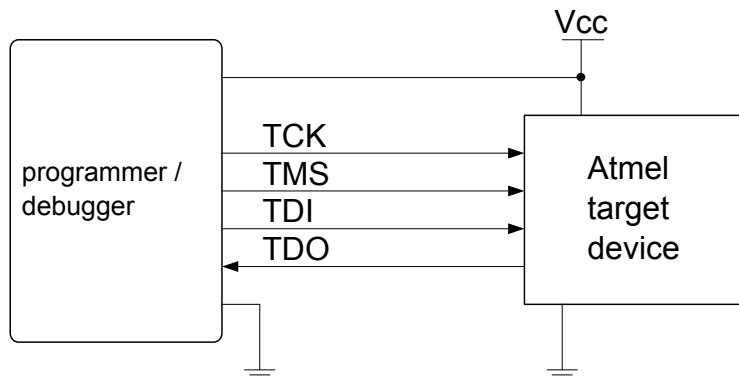
4.2.1. ARM CoreSight Components

Atmel ARM Cortex-M based microcontrollers implement CoreSight compliant OCD components. The features of these components can vary from device to device. For further information consult the device's datasheet as well as CoreSight documentation provided by ARM.

4.2.2. JTAG Physical Interface

The JTAG interface consists of a 4-wire Test Access Port (TAP) controller that is compliant with the IEEE® 1149.1 standard. The IEEE standard was developed to provide an industry-standard way to efficiently test circuit board connectivity (Boundary Scan). Atmel AVR and SAM devices have extended this functionality to include full Programming and On-chip Debugging support.

Figure 4-1. JTAG Interface Basics



4.2.2.1. SAM JTAG Pinout (Cortex-M debug connector)

When designing an application PCB which includes an Atmel SAM with the JTAG interface, it is recommended to use the pinout as shown in the figure below. Both 100-mil and 50-mil variants of this pinout are supported, depending on the cabling and adapters included with the particular kit.

Figure 4-2. SAM JTAG Header Pinout

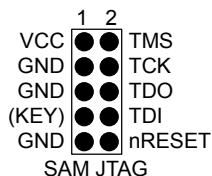


Table 4-1. SAM JTAG Pin Description

| Name | Pin | Description |
|--------|---------|---|
| TCK | 4 | Test Clock (clock signal from the Atmel-ICE into the target device). |
| TMS | 2 | Test Mode Select (control signal from the Atmel-ICE into the target device). |
| TDI | 8 | Test Data In (data transmitted from the Atmel-ICE into the target device). |
| TDO | 6 | Test Data Out (data transmitted from the target device into the Atmel-ICE). |
| nRESET | 10 | Reset (optional). Used to reset the target device. Connecting this pin is recommended since it allows the Atmel-ICE to hold the target device in a reset state, which can be essential to debugging in certain scenarios. |
| VTG | 1 | Target voltage reference. The Atmel-ICE samples the target voltage on this pin in order to power the level converters correctly. The Atmel-ICE draws less than 1mA from this pin in this mode. |
| GND | 3, 5, 9 | Ground. All must be connected to ensure that the Atmel-ICE and the target device share the same ground reference. |
| KEY | 7 | Connected internally to the TRST pin on the AVR connector. Recommended as not connected. |

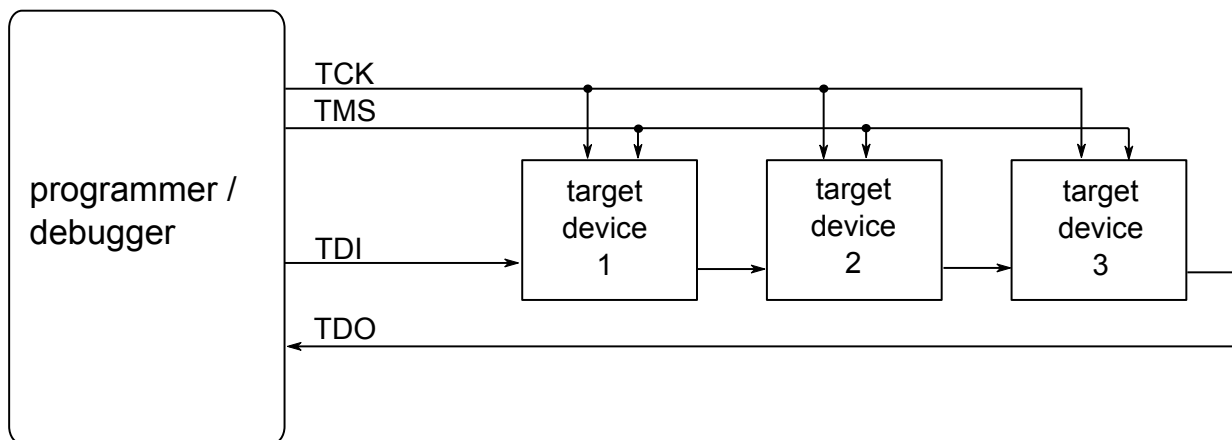


Tip: Remember to include a decoupling capacitor between pin 1 and GND.

4.2.2.2. JTAG Daisy Chaining

The JTAG interface allows for several devices to be connected to a single interface in a daisy chain configuration. The target devices must all be powered by the same supply voltage, share a common ground node, and must be connected as shown in the figure below.

Figure 4-3. JTAG Daisy Chain



When connecting devices in a daisy chain, the following points must be considered:

- All devices must share a common ground, connected to GND on the Atmel-ICE probe
- All devices must be operating on the same target voltage. VTG on the Atmel-ICE must be connected to this voltage.
- TMS and TCK are connected in parallel; TDI and TDO are connected in a serial chain.
- nSRST on the Atmel-ICE probe must be connected to RESET on the devices if any of the devices in the chain disables its JTAG port
- "Devices before" refers to the number of JTAG devices that the TDI signal has to pass through in the daisy chain before reaching the target device. Similarly "devices after" is the number of devices that the signal has to pass through after the target device before reaching the Atmel-ICE TDO pin.
- "Instruction bits before" and "after" refers to the total sum of all JTAG devices' instruction register lengths, which are connected before and after the target device in the daisy chain
- The total IR length (instruction bits before + Atmel target device IR length + instruction bits after) is limited to a maximum of 256 bits. The number of devices in the chain is limited to 15 before and 15 after.



Tip:

Daisy chaining example: TDI → ATmega1280 → ATxmega128A1 → ATUC3A0512 → TDO.

In order to connect to the Atmel AVR XMEGA[®] device, the daisy chain settings are:

- Devices before: 1
- Devices after: 1
- Instruction bits before: 4 (8-bit AVR devices have 4 IR bits)

- Instruction bits after: 5 (32-bit AVR devices have 5 IR bits)

Table 4-2. IR Lengths of Atmel MCUs

| Device type | IR length |
|-------------|-----------|
| AVR 8-bit | 4 bits |
| AVR 32-bit | 5 bits |
| SAM | 4 bits |

4.2.3. Connecting to a JTAG Target

The Atmel-ICE is equipped with two 50-mil 10-pin JTAG connectors. Both connectors are directly electrically connected, but conform to two different pinouts; the AVR JTAG header and the ARM Cortex Debug header. The connector should be selected based on the pinout of the target board, and not the target MCU type - for example a SAM device mounted in an AVR STK600 stack should use the AVR header.

The recommended pinout for the 10-pin AVR JTAG connector is shown in [Figure 4-6](#).

The recommended pinout for the 10-pin ARM Cortex Debug connector is shown in [Figure 4-2](#).

Direct connection to a standard 10-pin 50-mil header

Use the 50-mil 10-pin flat cable (included in some kits) to connect directly to a board supporting this header type. Use the AVR connector port on the Atmel-ICE for headers with the AVR pinout, and the SAM connector port for headers complying with the ARM Cortex Debug header pinout.

The pinouts for both 10-pin connector ports are shown below.

Connection to a standard 10-pin 100-mil header

Use a standard 50-mil to 100-mil adapter to connect to 100-mil headers. An adapter board (included in some kits) can be used for this purpose, or alternatively the JTAGICE3 adapter can be used for AVR targets.



Important:

The JTAGICE3 100-mil adapter cannot be used with the SAM connector port, since pins 2 and 10 (AVR GND) on the adapter are connected.

Connection to a custom 100-mil header

If your target board does not have a compliant 10-pin JTAG header in 50- or 100-mil, you can map to a custom pinout using the 10-pin "mini-squid" cable (included in some kits), which gives access to ten individual 100-mil sockets.

Connection to a 20-pin 100-mil header

Use the adapter board (included in some kits) to connect to targets with a 20-pin 100-mil header.

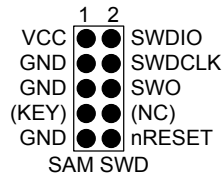
Table 4-3. Atmel-ICE JTAG Pin Description

| Name | AVR port pin | SAM port pin | Description |
|-------|--------------|--------------|--|
| TCK | 1 | 4 | Test Clock (clock signal from the Atmel-ICE into the target device). |
| TMS | 5 | 2 | Test Mode Select (control signal from the Atmel-ICE into the target device). |
| TDI | 9 | 8 | Test Data In (data transmitted from the Atmel-ICE into the target device). |
| TDO | 3 | 6 | Test Data Out (data transmitted from the target device into the Atmel-ICE). |
| nTRST | 8 | - | Test Reset (optional, only on some AVR devices). Used to reset the JTAG TAP controller. |
| nSRST | 6 | 10 | Reset (optional). Used to reset the target device. Connecting this pin is recommended since it allows the Atmel-ICE to hold the target device in a reset state, which can be essential to debugging in certain scenarios. |
| VTG | 4 | 1 | Target voltage reference. The Atmel-ICE samples the target voltage on this pin in order to power the level converters correctly. The Atmel-ICE draws less than 3mA from this pin in debugWIRE mode and less than 1mA in other modes. |
| GND | 2, 10 | 3, 5, 9 | Ground. All must be connected to ensure that the Atmel-ICE and the target device share the same ground reference. |

4.2.4. SWD Physical Interface

The ARM SWD interface is a subset of the JTAG interface, making use of TCK and TMS pins. The ARM JTAG and AVR JTAG connectors are, however, not pin-compatible, so when designing an application PCB, which uses a SAM device with SWD or JTAG interface, it is recommended to use the ARM pinout shown in the figure below. The SAM connector port on the Atmel-ICE can connect directly to this pinout.

Figure 4-4. Recommended ARM SWD/JTAG Header Pinout



The Atmel-ICE is capable of streaming UART-format ITM trace to the host computer. Trace is captured on the TRACE/SWO pin of the 10-pin header (JTAG TDO pin). Data is buffered internally on the Atmel-ICE and is sent over the HID interface to the host computer. The maximum reliable data rate is about 3MB/s.

4.2.5. Connecting to an SWD Target

The ARM SWD interface is a subset of the JTAG interface, making use of the TCK and TMS pins, which means that when connecting to an SWD device, the 10-pin JTAG connector can technically be used. The ARM JTAG and AVR JTAG connectors are, however, not pin-compatible, so this depends upon the layout of the target board in use. When using an STK600 or a board making use of the AVR JTAG pinout, the AVR connector port on the Atmel-ICE must be used. When connecting to a board, which makes use of the ARM JTAG pinout, the SAM connector port on the Atmel-ICE must be used.

The recommended pinout for the 10-pin Cortex Debug connector is shown in [Figure 4-4](#).

Connection to a 10-pin 50-mil Cortex header

Use the flat cable (included in some kits) to connect to a standard 50-mil Cortex header.

Connection to a 10-pin 100-mil Cortex-layout header

Use the adapter board (included in some kits) to connect to a 100-mil Cortex-pinout header.

Connection to a 20-pin 100-mil SAM header

Use the adapter board (included in some kits) to connect to a 20-pin 100-mil SAM header.

Connection to a custom 100-mil header

The 10-pin mini-squid cable should be used to connect between the Atmel-ICE AVR or SAM connector port and the target board. Six connections are required, as described in the table below.

Table 4-4. Atmel-ICE SWD Pin Mapping

| Name | AVR port pin | SAM port pin | Description |
|---------|--------------|--------------|--|
| SWDC LK | 1 | 4 | Serial Wire Debug Clock. |
| SWDIO | 5 | 2 | Serial Wire Debug Data Input/Output. |
| SWO | 3 | 6 | Serial Wire Output (optional- not implemented on all devices). |
| nSRST | 6 | 10 | Reset. |
| VTG | 4 | 1 | Target voltage reference. |
| GND | 2, 10 | 3, 5, 9 | Ground. |

4.2.6. Special Considerations

ERASE pin

Some SAM devices include an ERASE pin which is asserted to perform a complete chip erase and unlock devices on which the security bit is set. This feature is coupled to the device itself as well as the flash controller and is not part of the ARM core.

The ERASE pin is NOT part of any debug header, and the Atmel-ICE is thus unable to assert this signal to unlock a device. In such cases the user should perform the erase manually before starting a debug session.

Physical interfaces

JTAG interface

The RESET line should always be connected so that the Atmel-ICE can enable the JTAG interface.

SWD interface

The RESET line should always be connected so that the Atmel-ICE can enable the SWD interface.

4.3. AVR UC3 Devices with JTAG/aWire

All AVR UC3 devices feature the JTAG interface for programming and debugging. In addition, some AVR UC3 devices feature the aWire interface with identical functionality using a single wire. Check the device datasheet for supported interfaces of that device.

4.3.1. Atmel AVR UC3 On-chip Debug System

The Atmel AVR UC3 OCD system is designed in accordance with the Nexus 2.0 standard (IEEE-ISTO 5001™-2003), which is a highly flexible and powerful open on-chip debug standard for 32-bit microcontrollers. It supports the following features:

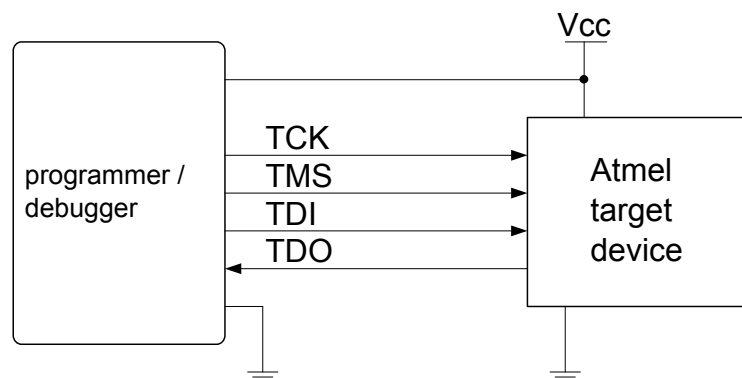
- Nexus compliant debug solution
- OCD supports any CPU speed
- Six program counter hardware breakpoints
- Two data breakpoints
- Breakpoints can be configured as watchpoints
- Hardware breakpoints can be combined to give break on ranges
- Unlimited number of user program breakpoints (using BREAK)
- Real-time program counter branch tracing, data trace, process trace (supported only by debuggers with parallel trace capture port)

For more information regarding the AVR UC3 OCD system, consult the AVR32UC Technical Reference Manuals, located on www.atmel.com/uc3.

4.3.2. JTAG Physical Interface

The JTAG interface consists of a 4-wire Test Access Port (TAP) controller that is compliant with the IEEE® 1149.1 standard. The IEEE standard was developed to provide an industry-standard way to efficiently test circuit board connectivity (Boundary Scan). Atmel AVR and SAM devices have extended this functionality to include full Programming and On-chip Debugging support.

Figure 4-5. JTAG Interface Basics



4.3.2.1. AVR JTAG Pinout

When designing an application PCB, which includes an Atmel AVR with the JTAG interface, it is recommended to use the pinout as shown in the figure below. Both 100-mil and 50-mil variants of this pinout are supported, depending on the cabling and adapters included with the particular kit.

Figure 4-6. AVR JTAG Header Pinout

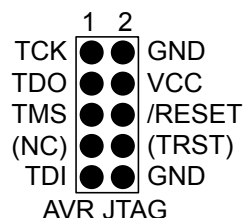


Table 4-5. AVR JTAG Pin Description

| Name | Pin | Description |
|-------|-------|--|
| TCK | 1 | Test Clock (clock signal from the Atmel-ICE into the target device). |
| TMS | 5 | Test Mode Select (control signal from the Atmel-ICE into the target device). |
| TDI | 9 | Test Data In (data transmitted from the Atmel-ICE into the target device). |
| TDO | 3 | Test Data Out (data transmitted from the target device into the Atmel-ICE). |
| nTRST | 8 | Test Reset (optional, only on some AVR devices). Used to reset the JTAG TAP controller. |
| nSRST | 6 | Reset (optional). Used to reset the target device. Connecting this pin is recommended since it allows the Atmel-ICE to hold the target device in a reset state, which can be essential to debugging in certain scenarios. |
| VTG | 4 | Target voltage reference. The Atmel-ICE samples the target voltage on this pin in order to power the level converters correctly. The Atmel-ICE draws less than 3mA from this pin in debugWIRE mode and less than 1mA in other modes. |
| GND | 2, 10 | Ground. Both must be connected to ensure that the Atmel-ICE and the target device share the same ground reference. |

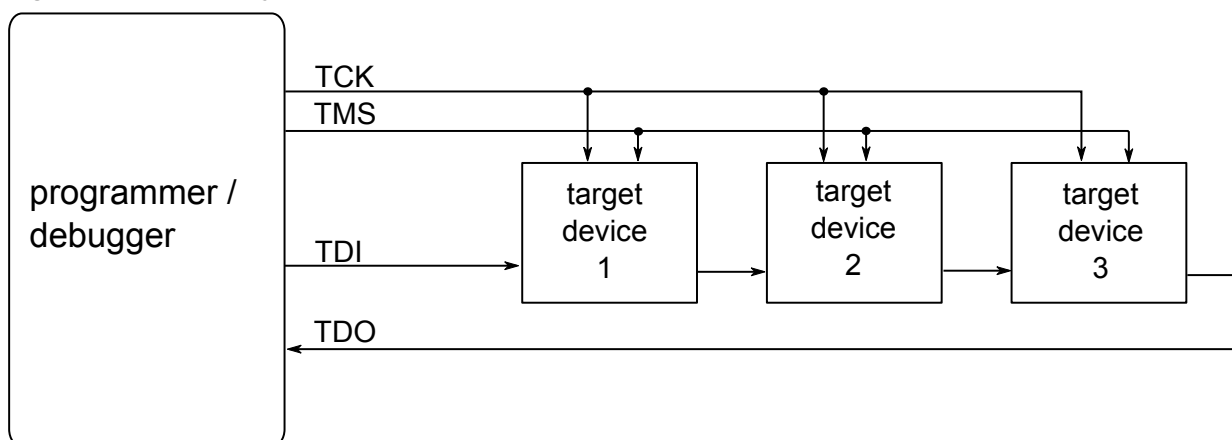


Tip: Remember to include a decoupling capacitor between pin 4 and GND.

4.3.2.2. JTAG Daisy Chaining

The JTAG interface allows for several devices to be connected to a single interface in a daisy chain configuration. The target devices must all be powered by the same supply voltage, share a common ground node, and must be connected as shown in the figure below.

Figure 4-7. JTAG Daisy Chain



When connecting devices in a daisy chain, the following points must be considered:

- All devices must share a common ground, connected to GND on the Atmel-ICE probe
- All devices must be operating on the same target voltage. VTG on the Atmel-ICE must be connected to this voltage.

- TMS and TCK are connected in parallel; TDI and TDO are connected in a serial chain.
- nSRST on the Atmel-ICE probe must be connected to RESET on the devices if any of the devices in the chain disables its JTAG port
- "Devices before" refers to the number of JTAG devices that the TDI signal has to pass through in the daisy chain before reaching the target device. Similarly "devices after" is the number of devices that the signal has to pass through after the target device before reaching the Atmel-ICE TDO pin.
- "Instruction bits "before" and "after" refers to the total sum of all JTAG devices' instruction register lengths, which are connected before and after the target device in the daisy chain
- The total IR length (instruction bits before + Atmel target device IR length + instruction bits after) is limited to a maximum of 256 bits. The number of devices in the chain is limited to 15 before and 15 after.



Tip:

Daisy chaining example: TDI → ATmega1280 → ATxmega128A1 → ATUC3A0512 → TDO.

In order to connect to the Atmel AVR XMEGA[®] device, the daisy chain settings are:

- Devices before: 1
- Devices after: 1
- Instruction bits before: 4 (8-bit AVR devices have 4 IR bits)
- Instruction bits after: 5 (32-bit AVR devices have 5 IR bits)

Table 4-6. IR Lengths of Atmel MCUs

| Device type | IR length |
|-------------|-----------|
| AVR 8-bit | 4 bits |
| AVR 32-bit | 5 bits |
| SAM | 4 bits |

4.3.3. Connecting to a JTAG Target

The Atmel-ICE is equipped with two 50-mil 10-pin JTAG connectors. Both connectors are directly electrically connected, but conform to two different pinouts; the AVR JTAG header and the ARM Cortex Debug header. The connector should be selected based on the pinout of the target board, and not the target MCU type - for example a SAM device mounted in an AVR STK600 stack should use the AVR header.

The recommended pinout for the 10-pin AVR JTAG connector is shown in [Figure 4-6](#).

The recommended pinout for the 10-pin ARM Cortex Debug connector is shown in [Figure 4-2](#).

Direct connection to a standard 10-pin 50-mil header

Use the 50-mil 10-pin flat cable (included in some kits) to connect directly to a board supporting this header type. Use the AVR connector port on the Atmel-ICE for headers with the AVR pinout, and the SAM connector port for headers complying with the ARM Cortex Debug header pinout.

The pinouts for both 10-pin connector ports are shown below.

Connection to a standard 10-pin 100-mil header

Use a standard 50-mil to 100-mil adapter to connect to 100-mil headers. An adapter board (included in some kits) can be used for this purpose, or alternatively the JTAGICE3 adapter can be used for AVR targets.



Important:

The JTAGICE3 100-mil adapter cannot be used with the SAM connector port, since pins 2 and 10 (AVR GND) on the adapter are connected.

Connection to a custom 100-mil header

If your target board does not have a compliant 10-pin JTAG header in 50- or 100-mil, you can map to a custom pinout using the 10-pin "mini-squid" cable (included in some kits), which gives access to ten individual 100-mil sockets.

Connection to a 20-pin 100-mil header

Use the adapter board (included in some kits) to connect to targets with a 20-pin 100-mil header.

Table 4-7. Atmel-ICE JTAG Pin Description

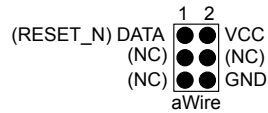
| Name | AVR port pin | SAM port pin | Description |
|-------|--------------|--------------|--|
| TCK | 1 | 4 | Test Clock (clock signal from the Atmel-ICE into the target device). |
| TMS | 5 | 2 | Test Mode Select (control signal from the Atmel-ICE into the target device). |
| TDI | 9 | 8 | Test Data In (data transmitted from the Atmel-ICE into the target device). |
| TDO | 3 | 6 | Test Data Out (data transmitted from the target device into the Atmel-ICE). |
| nTRST | 8 | - | Test Reset (optional, only on some AVR devices). Used to reset the JTAG TAP controller. |
| nSRST | 6 | 10 | Reset (optional). Used to reset the target device. Connecting this pin is recommended since it allows the Atmel-ICE to hold the target device in a reset state, which can be essential to debugging in certain scenarios. |
| VTG | 4 | 1 | Target voltage reference. The Atmel-ICE samples the target voltage on this pin in order to power the level converters correctly. The Atmel-ICE draws less than 3mA from this pin in debugWIRE mode and less than 1mA in other modes. |
| GND | 2, 10 | 3, 5, 9 | Ground. All must be connected to ensure that the Atmel-ICE and the target device share the same ground reference. |

4.3.4. aWire Physical Interface

The aWire interface makes use of the RESET wire of the AVR device to allow programming and debugging functions. A special enable sequence is transmitted by the Atmel-ICE, which disables the default RESET functionality of the pin.

When designing an application PCB, which includes an Atmel AVR with the aWire interface, it is recommended to use the pinout as shown in [Figure 4-8](#). Both 100-mil and 50-mil variants of this pinout are supported, depending on the cabling and adapters included with the particular kit.

Figure 4-8. aWire Header Pinout



Tip:

Since aWire is a half-duplex interface, a pull-up resistor on the RESET line in the order of 47kΩ is recommended to avoid false start-bit detection when changing direction.

The aWire interface can be used as both a programming and debugging interface. All features of the OCD system available through the 10-pin JTAG interface can also be accessed using aWire.

4.3.5. Connecting to an aWire Target

The aWire interface requires only one data line in addition to V_{CC} and GND. On the target this line is the nRESET line, although the debugger uses the JTAG TDO line as the data line.

The recommended pinout for the 6-pin aWire connector is shown in [Figure 4-8](#).

Connection to a 6-pin 100-mil aWire header

Use the 6-pin 100-mil tap on the flat cable (included in some kits) to connect to a standard 100-mil aWire header.

Connection to a 6-pin 50-mil aWire header

Use the adapter board (included in some kits) to connect to a standard 50-mil aWire header.

Connection to a custom 100-mil header

The 10-pin mini-squid cable should be used to connect between the Atmel-ICE AVR connector port and the target board. Three connections are required, as described in the table below.

Table 4-8. Atmel-ICE aWire Pin Mapping

| Atmel-ICE AVR port pins | Target pins | Mini-squid pin | aWire pinout |
|-------------------------|-------------|----------------|--------------|
| Pin 1 (TCK) | | 1 | |
| Pin 2 (GND) | GND | 2 | 6 |
| Pin 3 (TDO) | DATA | 3 | 1 |
| Pin 4 (VTG) | VTG | 4 | 2 |
| Pin 5 (TMS) | | 5 | |
| Pin 6 (nSRST) | | 6 | |
| Pin 7 (Not connected) | | 7 | |
| Pin 8 (nTRST) | | 8 | |
| Pin 9 (TDI) | | 9 | |
| Pin 10 (GND) | | 0 | |

4.3.6. Special Considerations

JTAG interface

On some Atmel AVR UC3 devices the JTAG port is not enabled by default. When using these devices it is essential to connect the RESET line so that the Atmel-ICE can enable the JTAG interface.

aWire interface

The baud rate of aWire communications depends upon the frequency of the system clock, since data must be synchronized between these two domains. The Atmel-ICE will automatically detect that the system clock has been lowered, and re-calibrate its baud rate accordingly. The automatic calibration only works down to a system clock frequency of 8kHz. Switching to a lower system clock during a debug session may cause contact with the target to be lost.

If required, the aWire baud rate can be restricted by setting the aWire clock parameter. Automatic detection will still work, but a ceiling value will be imposed on the results.

Any stabilizing capacitor connected to the RESET pin must be disconnected when using aWire since it will interfere with correct operation of the interface. A weak external pullup (10kΩ or higher) on this line is recommended.

Shutdown sleep mode

Some AVR UC3 devices have an internal regulator that can be used in 3.3V supply mode with 1.8V regulated I/O lines. This means that the internal regulator powers both the core and most of the I/O. Only Atmel AVR ONE! debugger supports debugging while using sleep modes where this regulator is shut off.

4.3.7. EVTI / EVTO Usage

The EVTI and EVTO pins are not accessible on the Atmel-ICE. However, they can still be used in conjunction with other external equipment.

EVTI can be used for the following purposes:

- The target can be forced to stop execution in response to an external event. If the Event In Control (EIC) bits in the DC register are written to `0b01`, high-to-low transition on the EVTI pin will generate a breakpoint condition. EVTI must remain low for one CPU clock cycle to guarantee that a breakpoint is triggered. The External Breakpoint bit (EXB) in DS is set when this occurs.
- Generating trace synchronization messages. Not used by the Atmel-ICE.

EVTO can be used for the following purposes:

- Indicating that the CPU has entered debug mode. Setting the EOS bits in DC to `0b01` causes the EVTO pin to be pulled low for one CPU clock cycle when the target device enters debug mode. This signal can be used as a trigger source for an external oscilloscope.
- Indicating that the CPU has reached a breakpoint or watchpoint. By setting the EOC bit in a corresponding Breakpoint/Watchpoint Control Register, the breakpoint or watchpoint status is indicated on the EVTO pin. The EOS bits in DC must be set to `0xb10` to enable this feature. The EVTO pin can then be connected to an external oscilloscope in order to examine watchpoint timing.
- Generating trace timing signals. Not used by the Atmel-ICE.

4.4. tinyAVR, megaAVR, and XMEGA Devices

AVR devices feature various programming and debugging interfaces. Check the device datasheet for supported interfaces of that device.

- Some tinyAVR® devices have a TPI interface. TPI can be used for programming the device only, and these devices do not have on-chip debug capability at all.
- Some tinyAVR devices and some megaAVR devices have the debugWIRE interface, which connects to an on-chip debug system known as tinyOCD. All devices with debugWIRE also have the SPI interface for in-system programming.
- Some megaAVR devices have a JTAG interface for programming and debugging, with an on-chip debug system also known as megaOCD. All devices with JTAG also feature the SPI interface as an alternative interface for in-system programming.
- All AVR XMEGA devices have the PDI interface for programming and debugging. Some AVR XMEGA devices also have a JTAG interface with identical functionality.
- New tinyAVR devices have a UPDI interface, which is used for programming and debugging

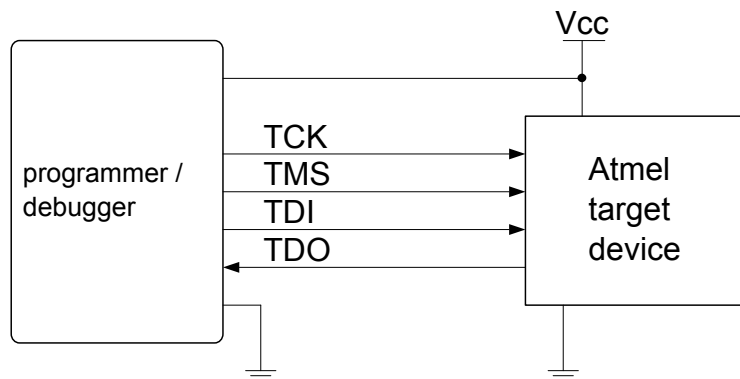
Table 4-9. Programming and Debugging Interfaces Summary

| | UPDI | TPI | SPI | debugWIRE | JTAG | PDI | aWire | SWD |
|-----------|-------------|--------------|--------------|--------------|--------------|-------------|--------------|-------------|
| tinyAVR | New devices | Some devices | Some devices | Some devices | | | | |
| megaAVR | | | All devices | Some devices | Some devices | | | |
| AVR XMEGA | | | | | Some devices | All devices | | |
| AVR UC | | | | | All devices | | Some devices | |
| SAM | | | | | Some devices | | | All devices |

4.4.1. JTAG Physical Interface

The JTAG interface consists of a 4-wire Test Access Port (TAP) controller that is compliant with the IEEE® 1149.1 standard. The IEEE standard was developed to provide an industry-standard way to efficiently test circuit board connectivity (Boundary Scan). Atmel AVR and SAM devices have extended this functionality to include full Programming and On-chip Debugging support.

Figure 4-9. JTAG Interface Basics



4.4.2. Connecting to a JTAG Target

The Atmel-ICE is equipped with two 50-mil 10-pin JTAG connectors. Both connectors are directly electrically connected, but conform to two different pinouts; the AVR JTAG header and the ARM Cortex

Debug header. The connector should be selected based on the pinout of the target board, and not the target MCU type - for example a SAM device mounted in an AVR STK600 stack should use the AVR header.

The recommended pinout for the 10-pin AVR JTAG connector is shown in [Figure 4-6](#).

The recommended pinout for the 10-pin ARM Cortex Debug connector is shown in [Figure 4-2](#).

Direct connection to a standard 10-pin 50-mil header

Use the 50-mil 10-pin flat cable (included in some kits) to connect directly to a board supporting this header type. Use the AVR connector port on the Atmel-ICE for headers with the AVR pinout, and the SAM connector port for headers complying with the ARM Cortex Debug header pinout.

The pinouts for both 10-pin connector ports are shown below.

Connection to a standard 10-pin 100-mil header

Use a standard 50-mil to 100-mil adapter to connect to 100-mil headers. An adapter board (included in some kits) can be used for this purpose, or alternatively the JTAGICE3 adapter can be used for AVR targets.



Important:

The JTAGICE3 100-mil adapter cannot be used with the SAM connector port, since pins 2 and 10 (AVR GND) on the adapter are connected.

Connection to a custom 100-mil header

If your target board does not have a compliant 10-pin JTAG header in 50- or 100-mil, you can map to a custom pinout using the 10-pin "mini-squid" cable (included in some kits), which gives access to ten individual 100-mil sockets.

Connection to a 20-pin 100-mil header

Use the adapter board (included in some kits) to connect to targets with a 20-pin 100-mil header.

Table 4-10. Atmel-ICE JTAG Pin Description

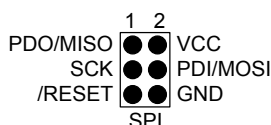
| Name | AVR port pin | SAM port pin | Description |
|-------|--------------|--------------|---|
| TCK | 1 | 4 | Test Clock (clock signal from the Atmel-ICE into the target device). |
| TMS | 5 | 2 | Test Mode Select (control signal from the Atmel-ICE into the target device). |
| TDI | 9 | 8 | Test Data In (data transmitted from the Atmel-ICE into the target device). |
| TDO | 3 | 6 | Test Data Out (data transmitted from the target device into the Atmel-ICE). |
| nTRST | 8 | - | Test Reset (optional, only on some AVR devices). Used to reset the JTAG TAP controller. |
| nSRST | 6 | 10 | Reset (optional). Used to reset the target device. Connecting this pin is recommended since it allows the Atmel-ICE to hold the target device in a reset state, which can be essential to debugging in certain scenarios. |

| Name | AVR port pin | SAM port pin | Description |
|------|--------------|--------------|--|
| VTG | 4 | 1 | Target voltage reference. The Atmel-ICE samples the target voltage on this pin in order to power the level converters correctly. The Atmel-ICE draws less than 3mA from this pin in debugWIRE mode and less than 1mA in other modes. |
| GND | 2, 10 | 3, 5, 9 | Ground. All must be connected to ensure that the Atmel-ICE and the target device share the same ground reference. |

4.4.3. SPI Physical Interface

In-System Programming uses the target Atmel AVR's internal SPI (Serial Peripheral Interface) to download code into the flash and EEPROM memories. It is not a debugging interface. When designing an application PCB, which includes an AVR with the SPI interface, the pinout as shown in the figure below should be used.

Figure 4-10. SPI Header Pinout



4.4.4. Connecting to an SPI Target

The recommended pinout for the 6-pin SPI connector is shown in [Figure 4-10](#).

Connection to a 6-pin 100-mil SPI header

Use the 6-pin 100-mil tap on the flat cable (included in some kits) to connect to a standard 100-mil SPI header.

Connection to a 6-pin 50-mil SPI header

Use the adapter board (included in some kits) to connect to a standard 50-mil SPI header.

Connection to a custom 100-mil header

The 10-pin mini-squid cable should be used to connect between the Atmel-ICE AVR connector port and the target board. Six connections are required, as described in the table below.



Important:

The SPI interface is effectively disabled when the debugWIRE enable fuse (DWEN) is programmed, even if SPIEN fuse is also programmed. To re-enable the SPI interface, the 'disable debugWIRE' command must be issued while in a debugWIRE debugging session. Disabling debugWIRE in this manner requires that the SPIEN fuse is already programmed. If Atmel Studio fails to disable debugWIRE, it is probable because the SPIEN fuse is NOT programmed. If this is the case, it is necessary to use a high-voltage programming interface to program the SPIEN fuse.

**Info:**

The SPI interface is often referred to as "ISP", since it was the first In System Programming interface on Atmel AVR products. Other interfaces are now available for In System Programming.

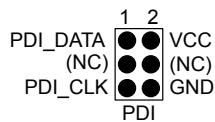
Table 4-11. Atmel-ICE SPI Pin Mapping

| Atmel-ICE AVR port pins | Target pins | Mini-squid pin | SPI pinout |
|-------------------------|-------------|----------------|------------|
| Pin 1 (TCK) | SCK | 1 | 3 |
| Pin 2 (GND) | GND | 2 | 6 |
| Pin 3 (TDO) | MISO | 3 | 1 |
| Pin 4 (VTG) | VTG | 4 | 2 |
| Pin 5 (TMS) | | 5 | |
| Pin 6 (nSRST) | /RESET | 6 | 5 |
| Pin 7 (not connected) | | 7 | |
| Pin 8 (nTRST) | | 8 | |
| Pin 9 (TDI) | MOSI | 9 | 4 |
| Pin 10 (GND) | | 0 | |

4.4.5. PDI

The Program and Debug Interface (PDI) is an Atmel proprietary interface for external programming and on-chip debugging of a device. PDI Physical is a 2-pin interface providing a bi-directional half-duplex synchronous communication with the target device.

When designing an application PCB, which includes an Atmel AVR with the PDI interface, the pinout shown in the figure below should be used. One of the 6-pin adapters provided with the Atmel-ICE kit can then be used to connect the Atmel-ICE probe to the application PCB.

Figure 4-11. PDI Header Pinout**4.4.6. Connecting to a PDI Target**

The recommended pinout for the 6-pin PDI connector is shown in [Figure 4-11](#).

Connection to a 6-pin 100-mil PDI header

Use the 6-pin 100-mil tap on the flat cable (included in some kits) to connect to a standard 100-mil PDI header.

Connection to a 6-pin 50-mil PDI header

Use the adapter board (included in some kits) to connect to a standard 50-mil PDI header.

Connection to a custom 100-mil header

The 10-pin mini-squid cable should be used to connect between the Atmel-ICE AVR connector port and the target board. Four connections are required, as described in the table below.



Important:

The pinout required is different from the JTAGICE mkII JTAG probe, where PDI_DATA is connected to pin 9. The Atmel-ICE is compatible with the pinout used by the Atmel-ICE, JTAGICE3, AVR ONE!, and AVR Dragon™ products.

Table 4-12. Atmel-ICE PDI Pin Mapping

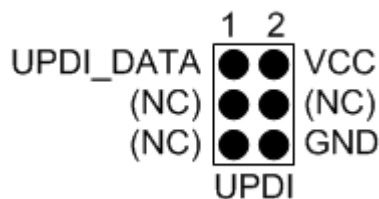
| Atmel-ICE AVR port pin | Target pins | Mini-squid pin | Atmel STK600 PDI pinout |
|------------------------|-------------|----------------|-------------------------|
| Pin 1 (TCK) | | 1 | |
| Pin 2 (GND) | GND | 2 | 6 |
| Pin 3 (TDO) | PDI_DATA | 3 | 1 |
| Pin 4 (VTG) | VTG | 4 | 2 |
| Pin 5 (TMS) | | 5 | |
| Pin 6 (nSRST) | PDI_CLK | 6 | 5 |
| Pin 7 (not connected) | | 7 | |
| Pin 8 (nTRST) | | 8 | |
| Pin 9 (TDI) | | 9 | |
| Pin 10 (GND) | | 0 | |

4.4.7. UPDI Physical Interface

The Unified Program and Debug Interface (UPDI) is an Atmel proprietary interface for external programming and on-chip debugging of a device. It is a successor to the PDI 2-wire physical interface, which is found on all AVR XMEGA devices. UPDI is a single-wire interface providing a bi-directional half-duplex asynchronous communication with the target device for purposes of programming and debugging.

When designing an application PCB, which includes an Atmel AVR with the UPDI interface, the pinout shown below should be used. One of the 6-pin adapters provided with the Atmel-ICE kit can then be used to connect the Atmel-ICE probe to the application PCB.

Figure 4-12. UPDI Header Pinout



4.4.7.1. UPDI and /RESET

The UPDI one-wire interface can be a dedicated pin or a shared pin, depending on the target AVR device. Consult the device datasheet for further information.

When the UPDI interface is on a shared pin, the pin can be configured to be either UPDI, /RESET, or GPIO by setting the RSTPINCFG[1:0] fuses.

The RSTPINCFG[1:0] fuses have the following configurations, as described in the datasheet. The practical implications of each choice are given here.

Table 4-13. RSTPINCFG[1:0] Fuse Configuration

| RSTPINCFG[1:0] | Configuration | Usage |
|----------------|---------------|---|
| 00 | GPIO | General purpose I/O pin. In order to access UPDI, a 12V pulse must be applied to this pin. No external reset source is available. |
| 01 | UPDI | Dedicated programming and debugging pin. No external reset source is available. |
| 10 | Reset | Reset signal input. In order to access UPDI, a 12V pulse must be applied to this pin. |
| 11 | Reserved | NA |

Note: Older AVR devices have a programming interface, known as "High-Voltage Programming" (both serial and parallel variants exist.) In general this interface requires 12V to be applied to the /RESET pin for the duration of the programming session. The UPDI interface is an entirely different interface. The UPDI pin is primarily a programming and debugging pin, which can be fused to have an alternative function (/RESET or GPIO). If the alternative function is selected then a 12V pulse is required on that pin in order to re-activate the UPDI functionality.

Note: If a design requires the sharing of the UPDI signal due to pin constraints, steps must be taken in order to ensure that the device can be programmed. To ensure that the UPDI signal can function correctly, as well as to avoid damage to external components from the 12V pulse, it is recommended to disconnect any components on this pin when attempting to debug or program the device. This can be done using a 0Ω resistor, which is mounted by default and removed or replaced by a pin header while debugging. This configuration effectively means that programming should be done before mounting the device.



Important: The Atmel-ICE does not support 12V on the UPDI line. In other words, if the UPDI pin has been configured as GPIO or RESET the Atmel-ICE will not be able to enable the UPDI interface.

4.4.8. Connecting to a UPDI Target

The recommended pinout for the 6-pin UPDI connector is shown in [Figure 4-12](#).

Connection to a 6-pin 100-mil UPDI header

Use the 6-pin 100-mil tap on the flat cable (included in some kits) to connect to a standard 100-mil UPDI header.

Connection to a 6-pin 50-mil UPDI header

Use the adapter board (included in some kits) to connect to a standard 50-mil UPDI header.

Connection to a custom 100-mil header

The 10-pin mini-squid cable should be used to connect between the Atmel-ICE AVR connector port and the target board. Three connections are required, as described in the table below.

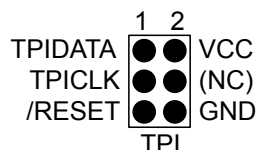
Table 4-14. Atmel-ICE UPDI Pin Mapping

| Atmel-ICE AVR port pin | Target pins | Mini-squid pin | Atmel STK600 UPDI pinout |
|------------------------|----------------|----------------|--------------------------|
| Pin 1 (TCK) | | 1 | |
| Pin 2 (GND) | GND | 2 | 6 |
| Pin 3 (TDO) | UPDI_DATA | 3 | 1 |
| Pin 4 (VTG) | VTG | 4 | 2 |
| Pin 5 (TMS) | | 5 | |
| Pin 6 (nSRST) | [/RESET sense] | 6 | 5 |
| Pin 7 (Not connected) | | 7 | |
| Pin 8 (nTRST) | | 8 | |
| Pin 9 (TDI) | | 9 | |
| Pin 10 (GND) | | 0 | |

4.4.9. TPI Physical Interface

TPI is a programming-only interface for some AVR ATtiny devices. It is not a debugging interface, and these devices do not have OCD capability. When designing an application PCB which includes an AVR with the TPI interface, the pinout shown in the figure below should be used.

Figure 4-13. TPI Header Pinout



4.4.10. Connecting to a TPI Target

The recommended pinout for the 6-pin TPI connector is shown in [Figure 4-13](#).

Connection to a 6-pin 100-mil TPI header

Use the 6-pin 100-mil tap on the flat cable (included in some kits) to connect to a standard 100-mil TPI header.

Connection to a 6-pin 50-mil TPI header

Use the adapter board (included in some kits) to connect to a standard 50-mil TPI header.

Connection to a custom 100-mil header

The 10-pin mini-squid cable should be used to connect between the Atmel-ICE AVR connector port and the target board. Six connections are required, as described in the table below.

Table 4-15. Atmel-ICE TPI Pin Mapping

| Atmel-ICE AVR port pins | Target pins | Mini-squid pin | TPI pinout |
|-------------------------|-------------|----------------|------------|
| Pin 1 (TCK) | CLOCK | 1 | 3 |
| Pin 2 (GND) | GND | 2 | 6 |
| Pin 3 (TDO) | DATA | 3 | 1 |

| Atmel-ICE AVR port pins | Target pins | Mini-squid pin | TPI pinout |
|-------------------------|--------------|----------------|------------|
| Pin 4 (VTG) | VTG | 4 | 2 |
| Pin 5 (TMS) | | 5 | |
| Pin 6 (nSRST) | /RESET | 6 | 5 |
| Pin 7 (not connected) | | 7 | |
| Pin 8 (nTRST) | | 8 | |
| Pin 9 (TDI) | | 9 | |
| Pin 10 (GND) | Pin 10 (GND) | 0 | |

4.4.11. Advanced Debugging (AVR JTAG /debugWIRE devices)

I/O Peripherals

Most I/O peripherals will continue to run even though the program execution is stopped by a breakpoint. Example: If a breakpoint is reached during a UART transmission, the transmission will be completed and corresponding bits set. The TXC (transmit complete) flag will be set and be available on the next single step of the code even though it normally would happen later in an actual device.

All I/O modules will continue to run in stopped mode with the following two exceptions:

- Timer/Counters (configurable using the software front-end)
- Watchdog Timer (always stopped to prevent resets during debugging)

Single Stepping I/O access

Since the I/O continues to run in stopped mode, care should be taken to avoid certain timing issues. For example, the code:

```
OUT PORTB, 0xAA
IN TEMP, PINB
```

When running this code normally, the TEMP register would not read back 0xAA because the data would not yet have been latched physically to the pin by the time it is sampled by the IN operation. A NOP instruction must be placed between the OUT and the IN instruction to ensure that the correct value is present in the PIN register.

However, when single stepping this function through the OCD, this code will always give 0xAA in the PIN register since the I/O is running at full speed even when the core is stopped during the single stepping.

Single stepping and timing

Certain registers need to be read or written within a given number of cycles after enabling a control signal. Since the I/O clock and peripherals continue to run at full speed in stopped mode, single stepping through such code will not meet the timing requirements. Between two single steps, the I/O clock may have run millions of cycles. To successfully read or write registers with such timing requirements, the whole read or write sequence should be performed as an atomic operation running the device at full speed. This can be done by using a macro or a function call to execute the code, or use the run-to-cursor function in the debugging environment.

Accessing 16-bit registers

The Atmel AVR peripherals typically contain several 16-bit registers that can be accessed via the 8-bit data bus (e.g.: TCNTn of a 16-bit timer). The 16-bit register must be byte accessed using two read or write operations. Breaking in the middle of a 16-bit access or single stepping through this situation may result in erroneous values.

Restricted I/O register access

Certain registers cannot be read without affecting their contents. Such registers include those which contain flags which are cleared by reading, or buffered data registers (e.g.: UDR). The software front-end will prevent reading these registers when in stopped mode to preserve the intended non-intrusive nature of OCD debugging. In addition, some registers cannot safely be written without side-effects occurring - these registers are read-only. For example:

- Flag registers, where a flag is cleared by writing '1' to any bit. These registers are read-only.
- UDR and SPDR registers cannot be read without affecting the state of the module. These registers are not accessible.

4.4.12. megaAVR Special Considerations

Software breakpoints

Since it contains an early version of the OCD module, ATmega128[A] does not support the use of the BREAK instruction for software breakpoints.

JTAG clock

The target clock frequency must be accurately specified in the software front-end before starting a debug session. For synchronization reasons, the JTAG TCK signal must be less than one fourth of the target clock frequency for reliable debugging. When programming via the JTAG interface, the TCK frequency is limited by the maximum frequency rating of the target device, and not the actual clock frequency being used.

When using the internal RC oscillator, be aware that the frequency may vary from device to device and is affected by temperature and V_{CC} changes. Be conservative when specifying the target clock frequency.

JTAGEN and OCDEN fuses

The JTAG interface is enabled using the JTAGEN fuse, which is programmed by default. This allows access to the JTAG programming interface. Through this mechanism, the OCDEN fuse can be programmed (by default OCDEN is un-programmed). This allows access to the OCD in order to facilitate debugging the device. The software front-end will always ensure that the OCDEN fuse is left un-programmed when terminating a session, thereby restricting unnecessary power consumption by the OCD module. If the JTAGEN fuse is unintentionally disabled, it can only be re-enabled using SPI or High Voltage programming methods.

If the JTAGEN fuse is programmed, the JTAG interface can still be disabled in firmware by setting the JTD bit. This will render code un-debuggable, and should not be done when attempting a debug session. If such code is already executing on the Atmel AVR device when starting a debug session, the Atmel-ICE will assert the RESET line while connecting. If this line is wired correctly, it will force the target AVR device into reset, thereby allowing a JTAG connection.

If the JTAG interface is enabled, the JTAG pins cannot be used for alternative pin functions. They will remain dedicated JTAG pins until either the JTAG interface is disabled by setting the JTD bit from the program code, or by clearing the JTAGEN fuse through a programming interface.

**Tip:**

Be sure to check the "use external reset" checkbox in both the programming dialog and debug options dialog in order to allow the Atmel-ICE to assert the RESET line and re-enable the JTAG interface on devices which are running code which disables the JTAG interface by setting the JTD bit.

IDR/OCDR events

The IDR (In-out Data Register) is also known as the OCDR (On Chip Debug Register), and is used extensively by the debugger to read and write information to the MCU when in stopped mode during a debug session. When the application program in run mode writes a byte of data to the OCDR register of the AVR device being debugged, the Atmel-ICE reads this value out and displays it in the message window of the software front-end. The OCDR register is polled every 50ms, so writing to it at a higher frequency will NOT yield reliable results. When the AVR device loses power while it is being debugged, spurious OCDR events may be reported. This happens because the Atmel-ICE may still poll the device as the target voltage drops below the AVR's minimum operating voltage.

4.4.13. AVR XMEGA Special Considerations**OCD and clocking**

When the MCU enters stopped mode, the OCD clock is used as MCU clock. The OCD clock is either the JTAG TCK if the JTAG interface is being used, or the PDI_CLK if the PDI interface is being used.

I/O modules in stopped mode

In contrast to earlier Atmel megaAVR devices, in XMEGA the I/O modules are stopped in stop mode. This means that USART transmissions will be interrupted, timers (and PWM) will be stopped.

Hardware breakpoints

There are four hardware breakpoint comparators - two address comparators and two value comparators. They have certain restrictions:

- All breakpoints must be of the same type (program or data)
- All data breakpoints must be in the same memory area (I/O, SRAM, or XRAM)
- There can only be one breakpoint if address range is used

Here are the different combinations that can be set:

- Two single data or program address breakpoints
- One data or program address range breakpoint
- Two single data address breakpoints with single value compare
- One data breakpoint with address range, value range, or both

Atmel Studio will tell you if the breakpoint can't be set, and why. Data breakpoints have priority over program breakpoints, if software breakpoints are available.

External reset and PDI physical

The PDI physical interface uses the reset line as clock. While debugging, the reset pullup should be 10k or more or be removed. Any reset capacitors should be removed. Other external reset sources should be disconnected.

Debugging with sleep for ATxmegaA1 rev H and earlier

A bug existed on early versions of ATxmegaA1 devices that prevented the OCD from being enabled while the device was in certain sleep modes. There are two workarounds to re-enable OCD:

- Go into the Atmel-ICE. Options in the Tools menu and enable "Always activate external reset when reprogramming device".
- Perform a chip erase

The sleep modes that trigger this bug are:

- Power-down
- Power-save
- Standby
- Extended standby

4.4.14. debugWIRE Special Considerations

The debugWIRE communication pin (dW) is physically located on the same pin as the external reset (RESET). An external reset source is therefore not supported when the debugWIRE interface is enabled.

The debugWIRE Enable fuse (DWEN) must be set on the target device in order for the debugWIRE interface to function. This fuse is by default un-programmed when the Atmel AVR device is shipped from the factory. The debugWIRE interface itself cannot be used to set this fuse. In order to set the DWEN fuse, the SPI mode must be used. The software front-end handles this automatically provided that the necessary SPI pins are connected. It can also be set using SPI programming from the Atmel Studio programming dialog.

Either: Attempt to start a debug session on the debugWIRE part. If the debugWIRE interface is not enabled, Atmel Studio will offer to retry, or attempt to enable debugWIRE using SPI programming. If you have the full SPI header connected, debugWIRE will be enabled, and you will be asked to toggle power on the target. This is required for the fuse changes to be effective.

Or: Open the programming dialog in SPI mode, and verify that the signature matches the correct device. Check the DWEN fuse to enable debugWIRE.



Important:

It is important to leave the SPIEN fuse programmed, the RSTDISBL fuse un-programmed! Not doing this will render the device stuck in debugWIRE mode, and High Voltage programming will be required to revert the DWEN setting.

To disable the debugWIRE interface, use High Voltage programming to un-program the DWEN fuse. Alternately, use the debugWIRE interface itself to temporarily disable itself, which will allow SPI programming to take place, provided that the SPIEN fuse is set.



Important:

If the SPIEN fuse was NOT left programmed, Atmel Studio will not be able to complete this operation, and High Voltage programming must be used.

During a debug session, select the 'Disable debugWIRE and Close' menu option from the 'Debug' menu. DebugWIRE will be temporarily disabled, and Atmel Studio will use SPI programming to un-program the DWEN fuse.

Having the DWEN fuse programmed enables some parts of the clock system to be running in all sleep modes. This will increase the power consumption of the AVR while in sleep modes. The DWEN Fuse should therefore always be disabled when debugWIRE is not used.

When designing a target application PCB where debugWIRE will be used, the following considerations must be made for correct operation:

- Pull-up resistors on the dW/(RESET) line must not be smaller (stronger) than 10kΩ. The pull-up resistor is not required for debugWIRE functionality, since the debugger tool provides this.
- Any stabilizing capacitor connected to the RESET pin must be disconnected when using debugWIRE, since they will interfere with correct operation of the interface
- All external reset sources or other active drivers on the RESET line must be disconnected, since they may interfere with the correct operation of the interface

Never program the lock-bits on the target device. The debugWIRE interface requires that lock-bits are cleared in order to function correctly.

4.4.15. debugWIRE Software Breakpoints

The debugWIRE OCD is drastically scaled down when compared to the Atmel megaAVR (JTAG) OCD. This means that it does not have any program counter breakpoint comparators available to the user for debugging purposes. One such comparator does exist for purposes of run-to-cursor and single-stepping operations, but additional user breakpoints are not supported in hardware.

Instead, the debugger must make use of the AVR BREAK instruction. This instruction can be placed in FLASH, and when it is loaded for execution it will cause the AVR CPU to enter stopped mode. To support breakpoints during debugging, the debugger must insert a BREAK instruction into FLASH at the point at which the users requests a breakpoint. The original instruction must be cached for later replacement. When single stepping over a BREAK instruction, the debugger has to execute the original cached instruction in order to preserve program behavior. In extreme cases, the BREAK has to be removed from FLASH and replaced later. All these scenarios can cause apparent delays when single stepping from breakpoints, which will be exacerbated when the target clock frequency is very low.

It is thus recommended to observe the following guidelines, where possible:

- Always run the target at as high a frequency as possible during debugging. The debugWIRE physical interface is clocked from the target clock.
- Try to minimize on the number of breakpoint additions and removals, as each one require a FLASH page to be replaced on the target
- Try to add or remove a small number of breakpoints at a time, to minimize the number of FLASH page write operations
- If possible, avoid placing breakpoints on double-word instructions

4.4.16. Understanding debugWIRE and the DWEN Fuse

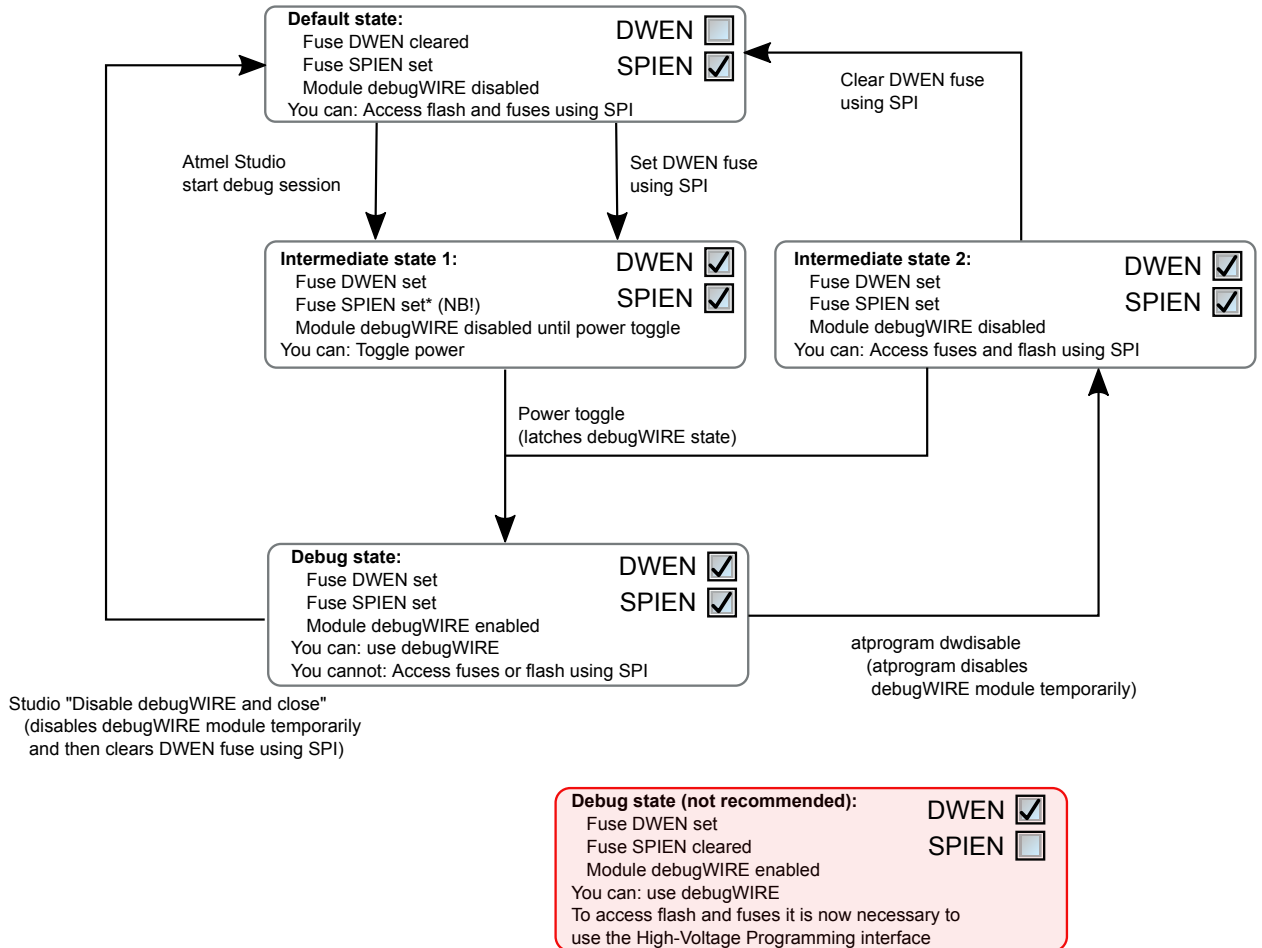
When enabled, the debugWIRE interface takes control of the device's /RESET pin, which makes it mutually exclusive to the SPI interface, which also needs this pin. When enabling and disabling the debugWIRE module, follow one of these two approaches:

- Let Atmel Studio take care of things (recommended)
- Set and clear DWEN manually (exercise caution, advanced users only!)



Important: When manipulating DWEN manually, it is important that the SPIEN fuse remains set to avoid having to use High-Voltage programming.

Figure 4-14. Understanding debugWIRE and the DWEN Fuse



4.4.17. TinyX-OCD (UPDI) Special Considerations

The UPDI data pin (UPDI_DATA) can be a dedicated pin or a shared pin, depending on the target AVR device. A shared UPDI pin is 12V tolerant, and can be configured to be used as /RESET or GPIO. For further details on how to use the pin in these configurations, see [UPDI Physical Interface](#).

On devices which include the CRCSCAN module (Cyclic Redundancy Check Memory Scan) this module should not be used in continuous background mode while debugging. The OCD module has limited hardware breakpoint comparator resources, so BREAK instructions may be inserted into flash (software breakpoints) when more breakpoints are required, or even during source-level code stepping. The CRC module could incorrectly detect this breakpoint as a corruption of flash memory contents.

The CRCSCAN module can also be configured to perform a CRC scan before boot. In the case of a CRC mismatch, the device will not boot, and appear to be in a locked state. The only way to recover the device from this state is to perform a full chip erase and either program a valid flash image or disable the pre-boot CRCSCAN. (A simple chip erase will result in a blank flash with invalid CRC, and the part will thus still not boot.) Atmel Studio will automatically disable the CRCSCAN fuses when chip erasing a device in this state.

When designing a target application PCB where UPDI interface will be used, the following considerations must be made for correct operation:

- Pull-up resistors on the UPDI line must not be smaller (stronger) than 10k Ω . A pull-down resistor should not be used, or it should be removed when using UPDI. The UPDI physical is push-pull capable, so only a weak pull-up resistor is required to prevent false start bit triggering when the line is idle.
- If the UPDI pin is to be used as a RESET pin, any stabilizing capacitor must be disconnected when using UPDI, since it will interfere with correct operation of the interface
- If the UPDI pin is used as RESET or GPIO pin, all external drivers on the line must be disconnected during programming or debugging since they may interfere with the correct operation of the interface

5. Hardware Description

5.1. LEDs

The Atmel-ICE top panel has three LEDs which indicate the status of current debug or programming sessions.



Table 5-1. LEDs

| LED | Function | Description |
|--------|--------------|--|
| Left | Target power | GREEN when target power is OK. Flashing indicates a target power error. Does not light up until a programming/debugging session connection is started. |
| Middle | Main power | RED when main-board power is OK. |
| Right | Status | Flashing GREEN when the target is running/stepping. OFF when target is stopped. |

5.2. Rear Panel

The rear panel of the Atmel-ICE houses the Micro-B USB connector.



5.3. Bottom Panel

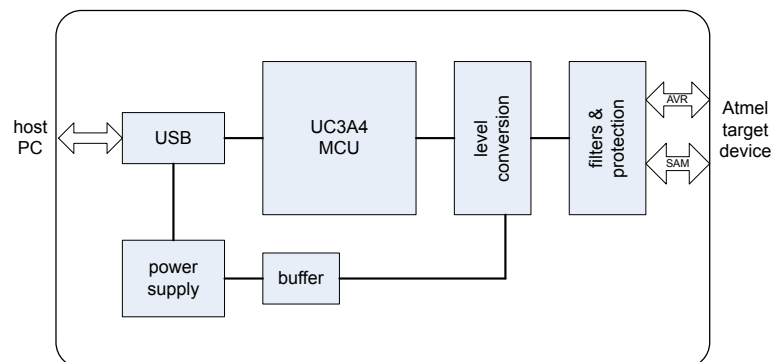
The bottom panel of the Atmel-ICE has a sticker which shows the serial number and date of manufacture. When seeking technical support, include these details.



5.4. Architecture Description

The Atmel-ICE architecture is shown in the block diagram in [Figure 5-1](#).

Figure 5-1. Atmel-ICE Block Diagram



5.4.1. Atmel-ICE Main Board

Power is supplied to the Atmel-ICE from the USB bus, regulated to 3.3V by a step-down switch-mode regulator. The VTG pin is used as a reference input only, and a separate power supply feeds the variable-

voltage side of the on-board level converters. At the heart of the Atmel-ICE main board is the Atmel AVR UC3 microcontroller AT32UC3A4256, which runs at between 1MHz and 60MHz depending on the tasks being processed. The microcontroller includes an on-chip USB 2.0 high-speed module, allowing high data throughput to and from the debugger.

Communication between the Atmel-ICE and the target device is done through a bank of level converters that shift signals between the target's operating voltage and the internal voltage level on the Atmel-ICE. Also in the signal path are zener overvoltage protection diodes, series termination resistors, inductive filters and ESD protection diodes. All signal channels can be operated in the range 1.62V to 5.5V, although the Atmel-ICE hardware can not drive out a higher voltage than 5.0V. Maximum operating frequency varies according to the target interface in use.

5.4.2. Atmel-ICE Target Connectors

The Atmel-ICE don't have an active probe. A 50-mil IDC cable is used to connect to the target application either directly, or through the adapters included in some kits. For more information on the cabling and adapters, see section [Assembling the Atmel-ICE](#)

5.4.3. Atmel-ICE Target Connectors Part Numbers

In order to connect the Atmel-ICE 50-mil IDC cable directly to a target board, any standard 50-mil 10-pin header should suffice. It is advised to use keyed headers to ensure correct orientation when connecting to the target, such as those used on the adapter board included with the kit.

The part number for this header is: FTSH-105-01-L-DV-K-A-P from SAMTEC.

6. Software Integration

6.1. Atmel Studio

6.1.1. Software Integration in Atmel Studio

Atmel Studio is an Integrated Development Environment (IDE) for writing and debugging Atmel AVR and Atmel SAM applications in Windows environments. Atmel Studio provides a project management tool, source file editor, simulator, assembler and front-end for C/C++, programming, emulation and on-chip debugging.

Atmel Studio version 6.2 or later must be used in conjunction with the Atmel-ICE.

6.1.2. Programming Options

Atmel Studio supports programming of Atmel AVR and Atmel SAM ARM devices using the Atmel-ICE. The programming dialog can be configured to use JTAG, aWire, SPI, PDI, TPI, SWD modes, according to the target device selected.

When configuring the clock frequency, different rules apply for different interfaces and target families:

- SPI programming makes use of the target clock. Configure the clock frequency to be lower than one fourth the frequency at which the target device is currently running.
- JTAG programming on Atmel megaAVR devices is clocked by the programmer. This means that the programming clock frequency is limited to the maximum operating frequency of the device itself. (Usually 16MHz.)
- AVR XMEGA programming on both JTAG and PDI interfaces is clocked by the programmer. This means that the programming clock frequency is limited to the maximum operating frequency of the device itself. (Usually 32MHz).
- AVR UC3 programming on JTAG interface is clocked by the programmer. This means that the programming clock frequency is limited to the maximum operating frequency of the device itself. (Limited to 33MHz.)
- AVR UC3 programming on aWire interface is clocked by the programmer. The optimal frequency is given by the SAB bus speed in the target device. The Atmel-ICE debugger will automatically tune the aWire baud rate to meet this criteria. Although it's usually not necessary the user can limit the maximum baud rate if needed (e.g. in noisy environments).
- SAM device programming on SWD interface is clocked by the programmer. The maximum frequency supported by Atmel-ICE is 2MHz. The frequency should not exceed the target CPU frequency times 10, $f_{\text{SWD}} \leq 10f_{\text{SYSCLK}}$.

6.1.3. Debug Options

When debugging an Atmel AVR device using Atmel Studio, the 'Tool' tab in the project properties view contains some important configuration options. The options which need further explanation are detailed here.

Target Clock Frequency

Accurately setting the target clock frequency is vital to achieve reliable debugging of Atmel megaAVR device over the JTAG interface. This setting should be less than one fourth of the lowest operating frequency of your AVR target device in the application being debugged. See [megaAVR Special Considerations](#) for more information.

Debug sessions on debugWIRE target devices are clocked by the target device itself, and thus no frequency setting is required. The Atmel-ICE will automatically select the correct baud rate for communicating at the start of a debug session. However, if you are experiencing reliability problems related to a noisy debug environment, some tools offer the possibility to force the debugWIRE speed to a fraction of its "recommended" setting.

Debug sessions on AVR XMEGA target devices can be clocked at up to the maximum speed of the device itself (usually 32MHz).

Debug sessions on AVR UC3 target devices over the JTAG interface can be clocked at up to the maximum speed of the device itself (limited to 33MHz). However, the optimal frequency will be slightly below the current SAB clock on the target device.

Debug sessions on UC3 target devices over the aWire interface will be automatically tuned to the optimal baud rate by the Atmel-ICE itself. However, if you are experiencing reliability problems related to a noisy debug environment, some tools offer the possibility to force the aWire speed below a configurable limit.

Debug sessions on SAM target devices over the SWD interface can be clocked at up to ten times the CPU clock (but limited to 2MHz max.)

Preserve EEPROM

Select this option to avoid erasing the EEPROM during reprogramming of the target before a debug session.

Use external reset

If your target application disables the JTAG interface, the external reset must be pulled low during programming. Selecting this option avoids repeatedly being asked whether to use the external reset.

6.2. Command Line Utility

Atmel Studio comes with a command line utility called `atprogram` that can be used to program targets using the Atmel-ICE. During the Atmel Studio installation a shortcut called "Atmel Studio 7.0. Command Prompt" were created in the Atmel folder on the Start menu. By double clicking this shortcut a command prompt will be opened and programming commands can be entered. The command line utility is installed in the Atmel Studio installation path in the folder `Atmel/Atmel Studio 7.0/atbackend/`.

To get more help on the command line utility type the command:

```
atprogram --help
```

7. Advanced Debugging Techniques

7.1. Atmel AVR UC3 Targets

7.1.1. EVTI / EVTO Usage

The EVTI and EVTO pins are not accessible on the Atmel-ICE. However, they can still be used in conjunction with other external equipment.

EVTI can be used for the following purposes:

- The target can be forced to stop execution in response to an external event. If the Event In Control (EIC) bits in the DC register are written to `0b01`, high-to-low transition on the EVTI pin will generate a breakpoint condition. EVTI must remain low for one CPU clock cycle to guarantee that a breakpoint is triggered. The External Breakpoint bit (EXB) in DS is set when this occurs.
- Generating trace synchronization messages. Not used by the Atmel-ICE.

EVTO can be used for the following purposes:

- Indicating that the CPU has entered debug mode. Setting the EOS bits in DC to `0b01` causes the EVTO pin to be pulled low for one CPU clock cycle when the target device enters debug mode. This signal can be used as a trigger source for an external oscilloscope.
- Indicating that the CPU has reached a breakpoint or watchpoint. By setting the EOC bit in a corresponding Breakpoint/Watchpoint Control Register, the breakpoint or watchpoint status is indicated on the EVTO pin. The EOS bits in DC must be set to `0xb10` to enable this feature. The EVTO pin can then be connected to an external oscilloscope in order to examine watchpoint timing.
- Generating trace timing signals. Not used by the Atmel-ICE.

7.2. debugWIRE Targets

7.2.1. debugWIRE Software Breakpoints

The debugWIRE OCD is drastically scaled down when compared to the Atmel megaAVR (JTAG) OCD. This means that it does not have any program counter breakpoint comparators available to the user for debugging purposes. One such comparator does exist for purposes of run-to-cursor and single-stepping operations, but additional user breakpoints are not supported in hardware.

Instead, the debugger must make use of the AVR BREAK instruction. This instruction can be placed in FLASH, and when it is loaded for execution it will cause the AVR CPU to enter stopped mode. To support breakpoints during debugging, the debugger must insert a BREAK instruction into FLASH at the point at which the users requests a breakpoint. The original instruction must be cached for later replacement. When single stepping over a BREAK instruction, the debugger has to execute the original cached instruction in order to preserve program behavior. In extreme cases, the BREAK has to be removed from FLASH and replaced later. All these scenarios can cause apparent delays when single stepping from breakpoints, which will be exacerbated when the target clock frequency is very low.

It is thus recommended to observe the following guidelines, where possible:

- Always run the target at as high a frequency as possible during debugging. The debugWIRE physical interface is clocked from the target clock.
- Try to minimize on the number of breakpoint additions and removals, as each one require a FLASH page to be replaced on the target

- Try to add or remove a small number of breakpoints at a time, to minimize the number of FLASH page write operations
- If possible, avoid placing breakpoints on double-word instructions

8. Release History and Known issues

8.1. Firmware Release History

Table 8-1. Public Firmware Revisions

| Firmware version (decimal) | Date | Relevant changes |
|----------------------------|------------|--|
| 1.36 | 29.09.2016 | Added support for UPDI interface (tinyX devices) Made USB endpoint size configurable |
| 1.28 | 27.05.2015 | Added support for SPI and USART DGI interfaces. Improved SWD speed. Minor bug fixes. |
| 1.22 | 03.10.2014 | Added code profiling. Fixed issue related to JTAG daisy chains with more than 64 instruction bits. Fix for ARM reset extension. Fixed target power led issue. |
| 1.13 | 08.04.2014 | JTAG clock frequency fix. Fix for debugWIRE with long SUT. Fixed oscillator calibration command. |
| 1.09 | 12.02.2014 | First release of Atmel-ICE. |

8.2. Known Issues Concerning the Atmel-ICE

8.2.1. General

- The initial Atmel-ICE batches had a weak USB connector. A new revision has been made with a new and more robust USB connector. As an interim solution epoxy glue has been applied to the already produced units of the first version to improve the mechanical stability.

8.2.2. Atmel AVR XMEGA OCD Specific Issues

- For the ATxmegaA1 family, only revision G or later is supported

8.2.3. Atmel AVR - Device Specific Issues

- Cycling power on ATmega32U6 during a debug session may cause a loss of contact with the device

9. Product Compliance

9.1. RoHS and WEEE

The Atmel-ICE and all accessories are manufactured in accordance to both the RoHS Directive (2002/95/EC) and the WEEE Directive (2002/96/EC).

9.2. CE and FCC

The Atmel-ICE unit has been tested in accordance to the essential requirements and other relevant provisions of Directives:

- Directive 2004/108/EC (class B)
- FCC part 15 subpart B
- 2002/95/EC (RoHS, WEEE)

The following standards are used for evaluation:

- EN 61000-6-1 (2007)
- EN 61000-6-3 (2007) + A1(2011)
- FCC CFR 47 Part 15 (2013)

The Technical Construction File is located at:

```
Atmel Norway  
Vestre Rosten 79  
7075 Tiller  
Norway
```

Every effort has been made to minimise electromagnetic emissions from this product. However, under certain conditions, the system (this product connected to a target application circuit) may emit individual electromagnetic component frequencies which exceed the maximum values allowed by the abovementioned standards. The frequency and magnitude of the emissions will be determined by several factors, including layout and routing of the target application with which the product is used.

10. Revision History

| Doc. Rev. | Date | Comments |
|-----------|---------|---|
| 42330C | 10/2016 | Added UPDI interface and updated Firmware Release History |
| 42330B | 03/2016 | <ul style="list-style-type: none">• Revised On-Chip Debugging chapter• New formatting of firmware release history in Release History and Known issues chapter• Added debug cable pinout |
| 42330A | 06/2014 | Initial document release |



Atmel® | Enabling Unlimited Possibilities®



Atmel Corporation 1600 Technology Drive, San Jose, CA 95110 USA **T:** (+1)(408) 441.0311 **F:** (+1)(408) 436.4200 | **www.atmel.com**

© 2016 Atmel Corporation. / Rev.: Atmel-42330C-Atmel-ICE_User Guide-10/2016

Atmel®, Atmel logo and combinations thereof, Enabling Unlimited Possibilities®, AVR®, megaAVR®, STK®, tinyAVR®, XMEGA®, and others are registered trademarks or trademarks of Atmel Corporation in U.S. and other countries. ARM®, ARM Connected® logo, Cortex®, and others are the registered trademarks or trademarks of ARM Ltd. Windows® is a registered trademark of Microsoft Corporation in U.S. and or other countries. Other terms and product names may be trademarks of others.

DISCLAIMER: The information in this document is provided in connection with Atmel products. No license, express or implied, by estoppel or otherwise, to any intellectual property right is granted by this document or in connection with the sale of Atmel products. EXCEPT AS SET FORTH IN THE ATMEL TERMS AND CONDITIONS OF SALES LOCATED ON THE ATMEL WEBSITE, ATMEL ASSUMES NO LIABILITY WHATSOEVER AND DISCLAIMS ANY EXPRESS, IMPLIED OR STATUTORY WARRANTY RELATING TO ITS PRODUCTS INCLUDING, BUT NOT LIMITED TO, THE IMPLIED WARRANTY OF MERCHANTABILITY, FITNESS FOR A PARTICULAR PURPOSE, OR NON-INFRINGEMENT. IN NO EVENT SHALL ATMEL BE LIABLE FOR ANY DIRECT, INDIRECT, CONSEQUENTIAL, PUNITIVE, SPECIAL OR INCIDENTAL DAMAGES (INCLUDING, WITHOUT LIMITATION, DAMAGES FOR LOSS AND PROFITS, BUSINESS INTERRUPTION, OR LOSS OF INFORMATION) ARISING OUT OF THE USE OR INABILITY TO USE THIS DOCUMENT, EVEN IF ATMEL HAS BEEN ADVISED OF THE POSSIBILITY OF SUCH DAMAGES. Atmel makes no representations or warranties with respect to the accuracy or completeness of the contents of this document and reserves the right to make changes to specifications and products descriptions at any time without notice. Atmel does not make any commitment to update the information contained herein. Unless specifically provided otherwise, Atmel products are not suitable for, and shall not be used in, automotive applications. Atmel products are not intended, authorized, or warranted for use as components in applications intended to support or sustain life.

SAFETY-CRITICAL, MILITARY, AND AUTOMOTIVE APPLICATIONS DISCLAIMER: Atmel products are not designed for and will not be used in connection with any applications where the failure of such products would reasonably be expected to result in significant personal injury or death ("Safety-Critical Applications") without an Atmel officer's specific written consent. Safety-Critical Applications include, without limitation, life support devices and systems, equipment or systems for the operation of nuclear facilities and weapons systems. Atmel products are not designed nor intended for use in military or aerospace applications or environments unless specifically designated by Atmel as military-grade. Atmel products are not designed nor intended for use in automotive applications unless specifically designated by Atmel as automotive-grade.

X-ON Electronics

Largest Supplier of Electrical and Electronic Components

Click to view similar products for [Hardware Debuggers](#) category:

Click to view products by [Microchip](#) manufacturer:

Other Similar products are found below :

[IJET-RISCV](#) [410-251](#) [1550](#) [AC244028](#) [AC244045](#) [DV164045](#) [AC244036](#) [DB40](#) [LPC_DEBUG_2](#) [ATATMEL-ICE](#) [ATATMEL-ICE-BASIC](#) [ATAVRONEKIT](#) [76002055](#) [IJET](#) [AC162051](#) [AC162062](#) [AC162064](#) [AC162074](#) [AC162078](#) [AC162079](#) [AC162087](#) [AC162088](#) [AC244024](#) [AC244027](#) [AC244034](#) [AC244035](#) [AC244043](#) [AC244044](#) [AC244047](#) [AC244048](#) [AC244051](#) [AC244054](#) [AC320202](#) [DV164131](#) [DV164232](#) [PG164100](#) [ARM-USB-OCD-H](#) [ARM-USB-TINY-H](#) [32115](#) [ACC-DEBUG](#) [114991786](#) [8.07.10](#) [8.08.28](#) [8.18.00](#) [8.19.00](#) [8.19.28](#) [8.20.00](#) [U2D-ATOM-24](#) [AC244023](#) [2209](#)