
P4 Hardware User Guide

Introduction

This is the hardware user guide for the P4 field engagement board (ATAVRFEB-P4), based on the ATtiny416, a high performance tinyAVR[®] 8-bit microcontroller. The board is a hardware platform to demonstrate how to implement an electronic pillbox using the ATtiny416, taking advantage of some of its ultra low-power features.

P4 incorporates ATtiny416 microcontroller, PFM/PWM Synchronous Boost Regulator MCP16251, 128*64 pixels OLED, Piezo Audio Transducer, LEDs and buttons to demonstrate a complete solution for a typical electronic pillbox.

Supported by the Atmel START and Atmel Studio development platform, it has fully documented software and hardware that will significantly reduce design complexity and the time-to-market.

Users can refer to the source code and firmware user guide available at Atmel START <http://www.microchip.com/start>.

Features

- PFM/PWM Synchronous Boost Regulator MCP16251
- 128*64 Pixels OLED
- LED Indicators and Buttons for Indicating and Resetting Alarms
- Piezo Audio Transducer for the Sound Alarm
- 32.768 kHz Crystal for Accurate Timing
- Slide Switch for Setting the Working mode
- CR2450 Coin Cell or External 3V DC Act as Power
- Programming Via Single-wire UPDI

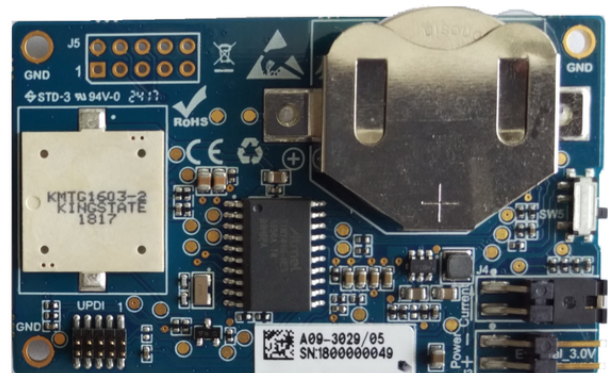
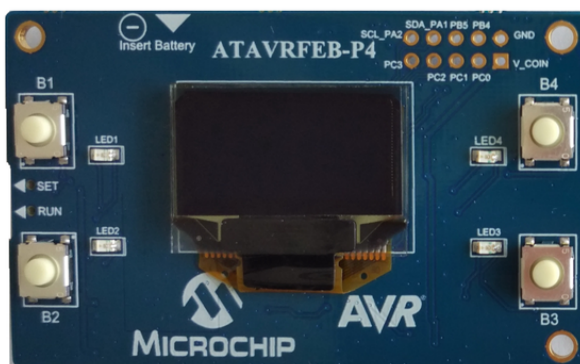


Table of Contents

| | |
|---|----|
| Introduction..... | 1 |
| Features..... | 1 |
| 1. Prerequisites..... | 3 |
| 2. Overview..... | 4 |
| 2.1. System Overview..... | 4 |
| 2.2. Block Diagram..... | 5 |
| 2.3. Operation Guide..... | 5 |
| 3. Hardware Details..... | 7 |
| 3.1. Microcontroller..... | 7 |
| 3.2. Piezo Audio Transducer..... | 7 |
| 3.3. Power Supply..... | 8 |
| 3.4. User Interface..... | 9 |
| 3.5. UPDI Programming Interface..... | 11 |
| 4. Firmware..... | 12 |
| 4.1. ATtiny416 Default Firmware..... | 12 |
| 4.2. Firmware Programming..... | 12 |
| 5. Revision History..... | 15 |
| The Microchip Web Site..... | 16 |
| Customer Change Notification Service..... | 16 |
| Customer Support..... | 16 |
| Microchip Devices Code Protection Feature..... | 16 |
| Legal Notice..... | 17 |
| Trademarks..... | 17 |
| Quality Management System Certified by DNV..... | 18 |
| Worldwide Sales and Service..... | 19 |

1. Prerequisites

- Hardware
 - ATAVRFEB-P4 field engagement board
 - CR2450 coin cell or external +3 V_{DC} power supply
 - Atmel-ICE
- Software
 - Atmel Studio 7
 - P4 firmware

2. Overview

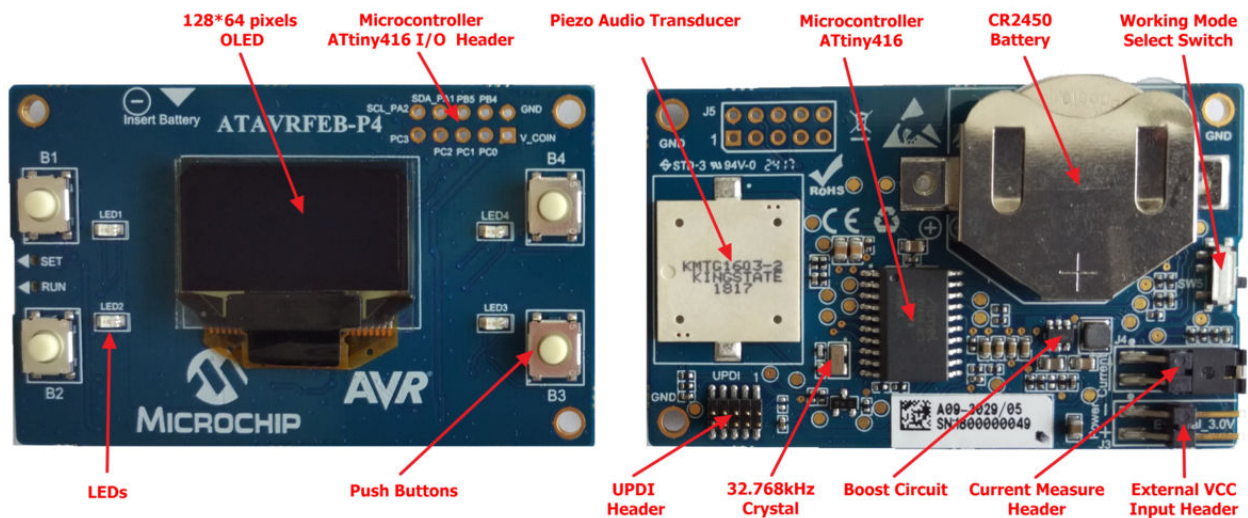
2.1 System Overview

The board includes:

- 128*64 pixels OLED that displays the setting information
- ATtiny416 I/O Header microcontroller
- LEDs and push buttons that function as the user interface
- Piezo Audio Transducer for the sound alarm
- ATtiny416 microcontroller
- CR2450 Cell battery that supplies power for the entire system
- Slide switch that sets the Working mode
- One 2-pin header, which connects to the external V_{CC}
- PFM/PWM Synchronous Boost Regulator MCP16251 powers the OLED
- 32.768 kHz crystal for accurate timing

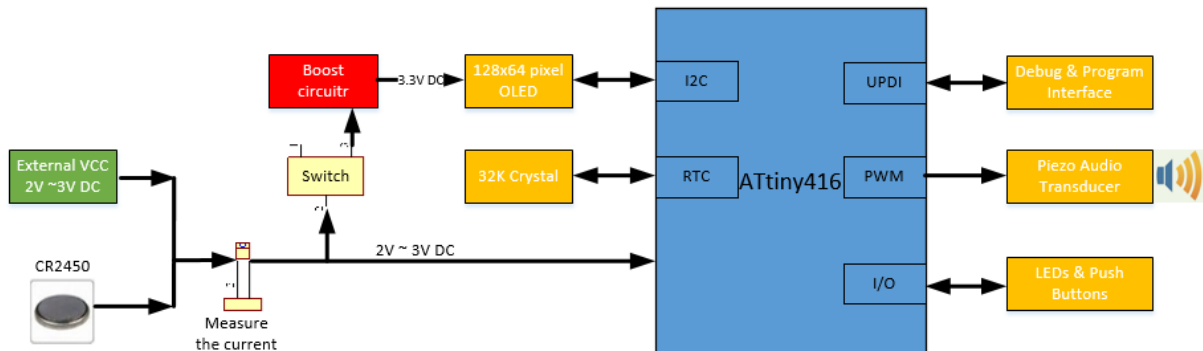
The images below show the components on the front and back of the board.

Figure 2-1. Overview of the P4



2.2 Block Diagram

Figure 2-2. Block Diagram of the P4 Board



2.3 Operation Guide

As shown in the block diagram above, the P4 field engagement board is powered using a CR2450 coin cell or by external DC power. The input voltage range of the external DC power is 2V to 3V DC. The boost regulator controls the coin cell or external voltage to 3.3V, which only provides power for the OLED. A jumper is used to measure the current of the entire system. The slide switch is used for setting the working mode of the kit, setting the alarm or time, and changing the system to the low-power working mode.

Power-on the board and push the slide switch to the "SET" position so that the OLED is brighter. There are four push buttons that are used to set different parameters of the alarm: turn on/off alarm, set the alarm time, and set the time of the system.

The B1 button is used to select the alarm or the time setting page. On the alarm setting page, the B2 and B3 buttons are used to set the alarm time, and the B4 button is used to turn on/off the alarm. On the time setting page, the B2 and B3 buttons are used to set the real time of the system, and B4 is not defined.

After setting the time and the alarm, push the slide switch to the "RUN" position. The OLED is turned off and the system is working in the low power mode. When the alarm time is reached, the system will alarm by flashing the LED and sounding the alarm. To stop the alarm push the buttons: LED1 and B1 is used for alarm1, LED2 and B2 is used for alarm2, LED3 and B3 is used for alarm3, LED4 and B4 is used for alarm4.

Figure 2-3. Display Alarm Setting Page on the OLED

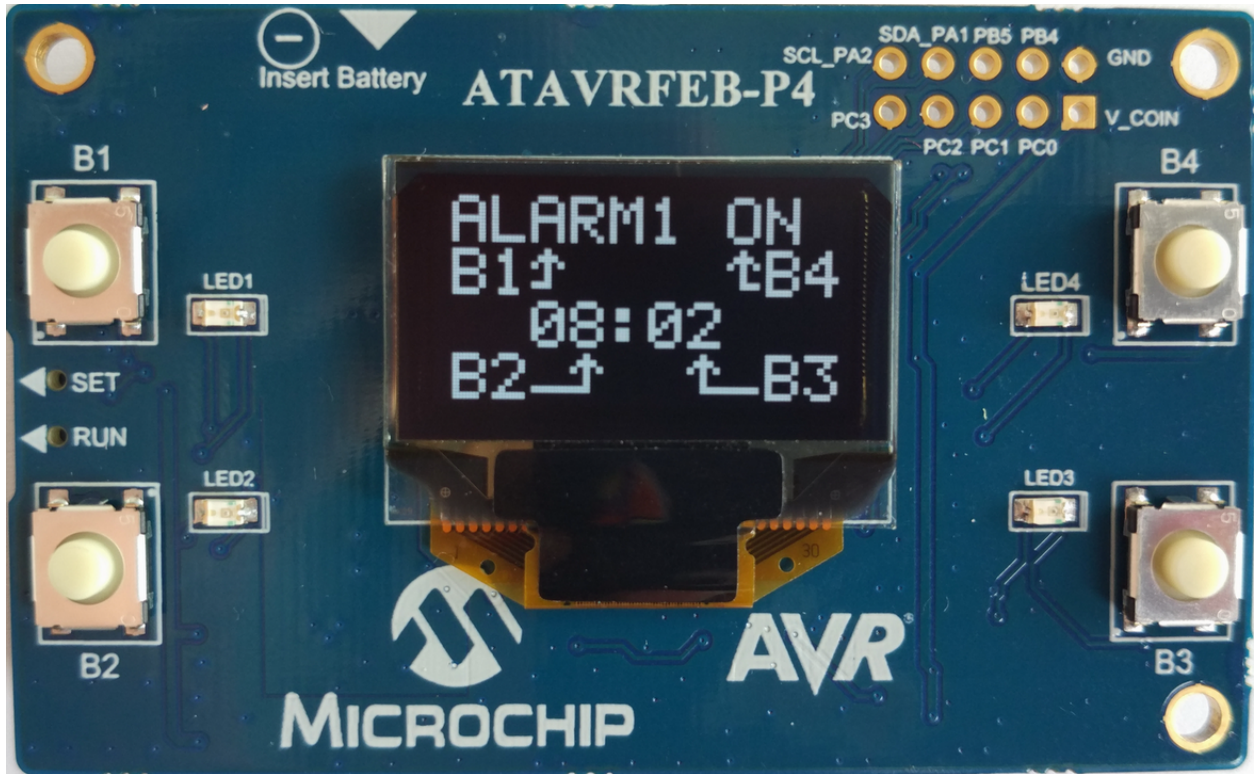
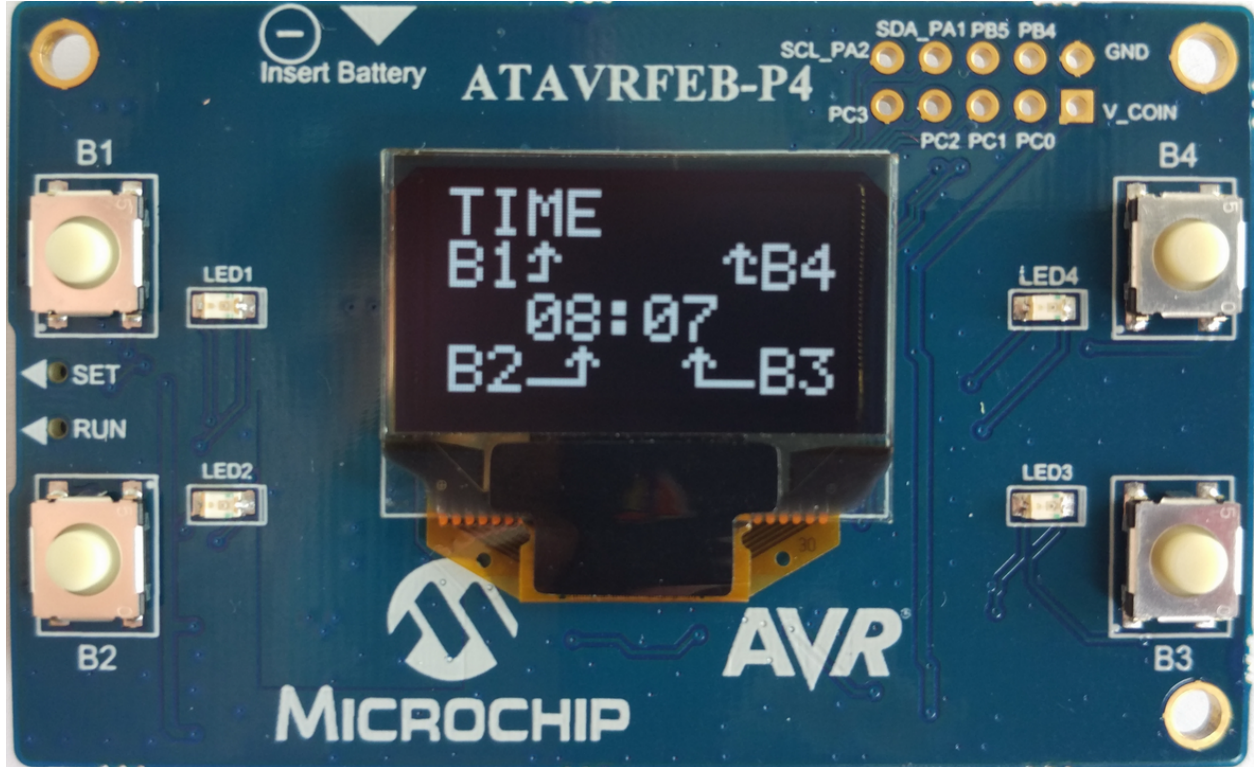


Figure 2-4. Display Time Setting Page on the OLED

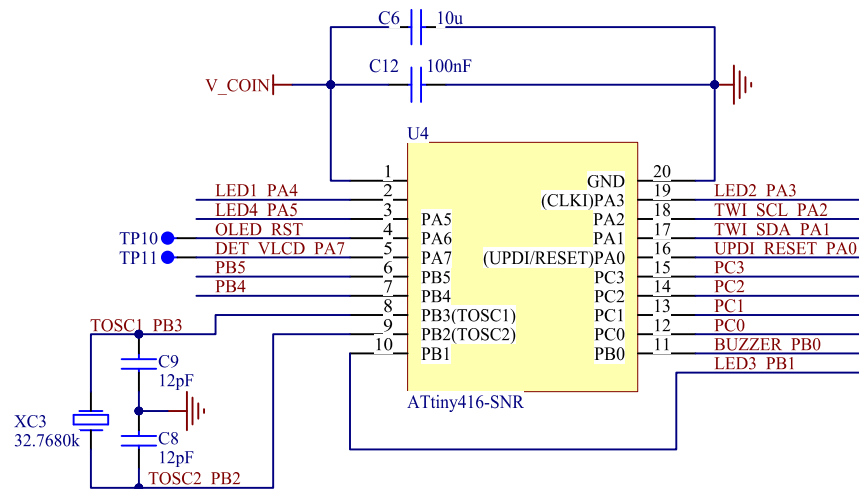


3. Hardware Details

3.1 Microcontroller

This board uses the ATtiny416, which is an 8-bit tinyAVR[®] microcontroller with 4 KB Flash, 256B SRAM, and 128B of EEPROM in a 20-pin package. The high-performance, low-power AVR RISC architecture on this microcontroller includes Event System, SleepWalking, accurate analog features, and advanced peripherals.

Figure 3-1. Schematic for the Microcontroller



3.2 Piezo Audio Transducer

A piezo audio transducer is used to play the sound alarm on the P4, and is connected to PB0 on the ATtiny416. Different frequencies from the PWM can be used to play tunes.

Figure 3-2. Piezo Audio Transducer

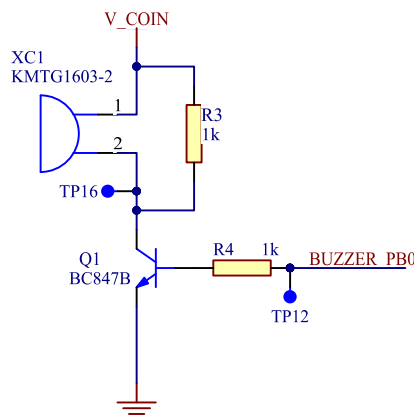


Table 3-1. Pin Map for the Piezo Audio Transducer

| Signal name | MCU pin |
|-------------|---------|
| BUZZER_PB0 | PB0 |

3.3 Power Supply

As shown in the figure below, the board is supplied with +3V from either a CR2450 coin cell or external DC power source via the J3 connector. The applied PFM/PWM Synchronous Boost Regulator can source out more than 250 mA @ 3.3V power for OLED. The 1x2 connector is a 2.54 mm pitch surface mount header and used to measure the current. The SW5 slide switch is used to select the working mode of the kit, setting the alarm or time, and changing the system to the low-power working mode. The switch position and jumper position on the connector should be applied as shown in the table below.

Figure 3-3. Power Supply for the System

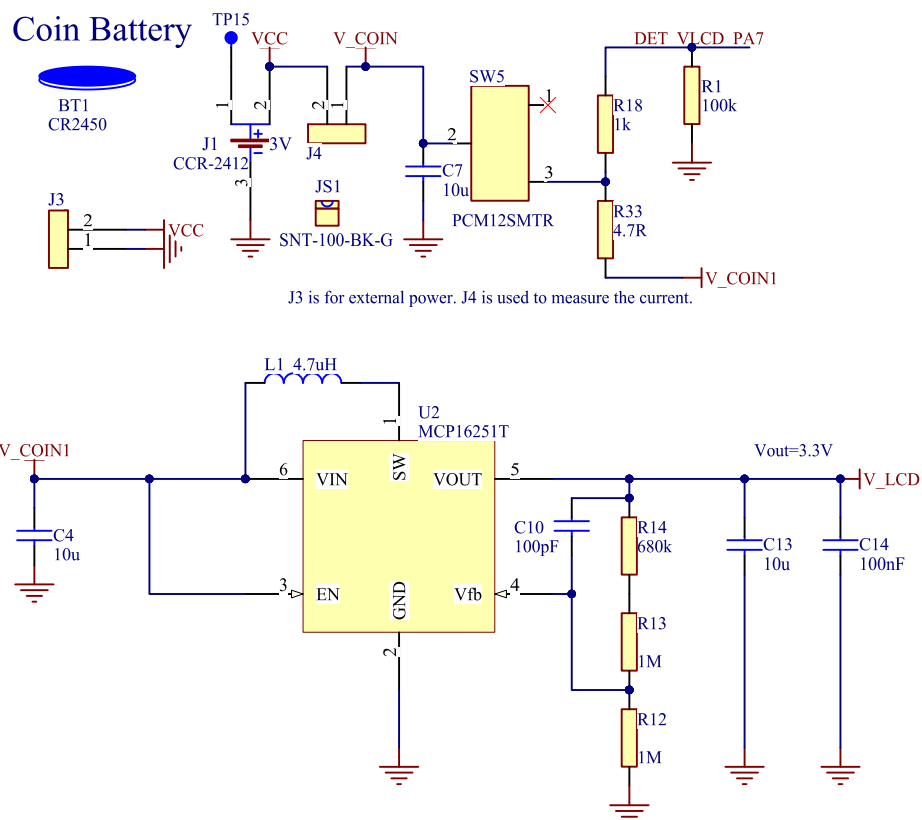


Table 3-2. Pin Map for the External DC Power

| Pin on J3 connector | Description |
|---------------------|---------------------------|
| 1 | Negative Pole of DC Power |
| 2 | Positive Pole of DC Power |

Table 3-3. Pin Map for the Current Measurement Connector

| Pin on J3 connector | Description |
|---------------------|----------------|
| 1 | Current output |
| 2 | Current input |

Table 3-4. Working Mode Select Switch Position

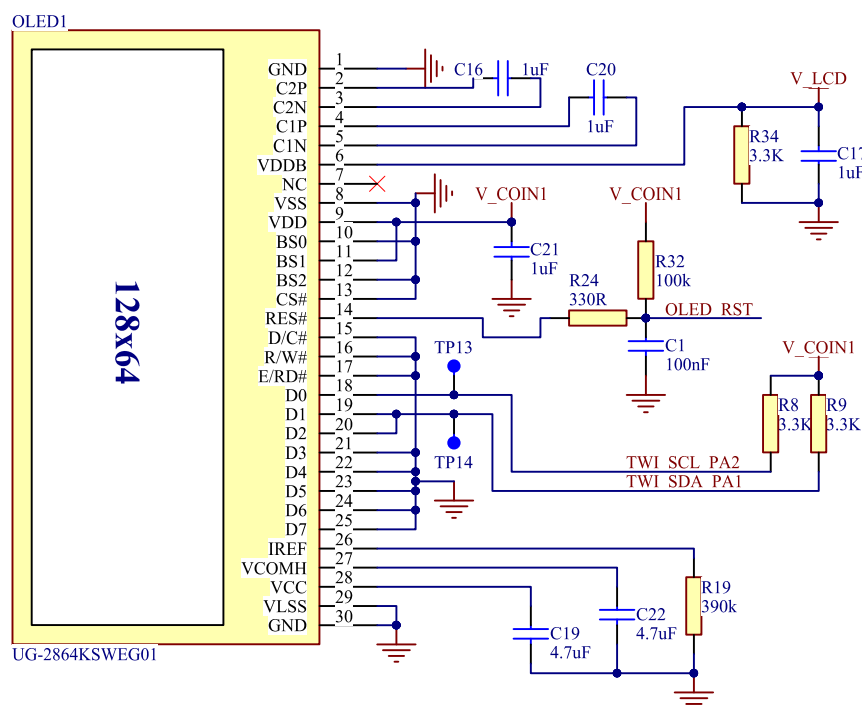
| Switch Options | Description |
|----------------|----------------|
| 1-2 | Low-power mode |
| 3-2 | Setting mode |

3.4 User Interface

3.4.1 OLED Display

On the board, the 128x64 pixels OLED is used to show setting information about the alarm and the current time. The communication is built between the OLED display and ATtiny416 via TWI, which is used for sending data to the OLED. In order to keep the same level of the TWI between the ATtiny416 and OLED, the logic part and internal buffer of the DC/DC voltage converter of the OLED display, have different power sources.

Figure 3-4. OLED Display



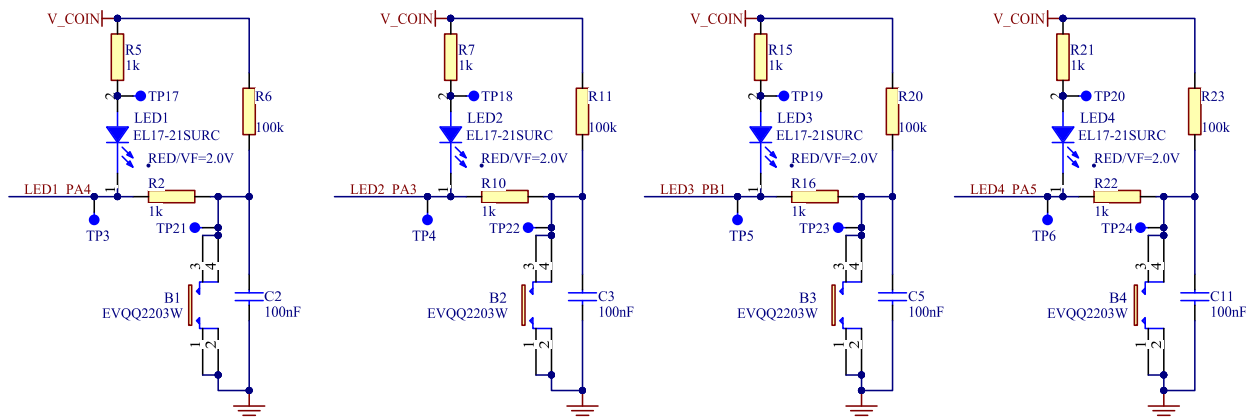
The detailed GPIO pin definition is shown in the table below.

Table 3-5. Pin Map for the OLED

| Signal name | OLED Pin | MCU Pin |
|-------------|----------|---------|
| OLED_RST | RES# | PA6 |
| TWI_SCL_PA2 | D0 | PA2 |
| TWI_SDA_PA1 | D1 | PA1 |

3.4.2 LEDs and Push Buttons

There are four LEDs and push buttons to set a maximum of four different daily alarm times. By design, an LED and a push button are reused as one I/O port, saving the I/O resources of the microcontroller. In this design, to address the worst case scenario, the low level can be recognized by the microcontroller at the maximum supply voltage and minimum drop voltage of the LED when pressing the button.



The detailed GPIO pin definition is shown in the table below.

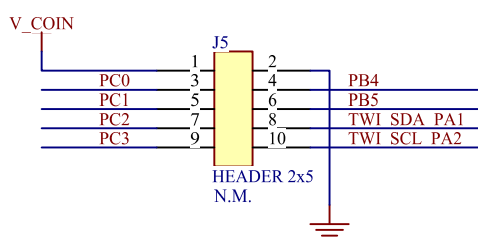
Table 3-6. Pin Map for the LEDs

| LED Name | Push Buttons | Signal Name | Microcontroller Pin |
|----------|--------------|-------------|---------------------|
| Alarm1 | B1 | LED1_PA4 | PA4 |
| Alarm2 | B2 | LED2_PA3 | PA3 |
| Alarm3 | B3 | LED3_PB1 | PB1 |
| Alarm4 | B4 | LED4_PA5 | PA5 |

3.4.3 I/O Connector

On the board, the 2x5 connector for the interface is reserved for the user and it is a 2.54 mm pitch through hole mount header.

Figure 3-5. I/O Connector



The detailed GPIO pin definition is shown in the table below.

Table 3-7. Pin Map for the I/O Connector

| Signal name | Header Pin | MCU Pin |
|-------------|------------|---------|
| V_COIN | 1 | VCC |
| GND | 2 | GND |
| PC0 | 3 | PC0 |

| Signal name | Header Pin | MCU Pin |
|-------------|------------|---------|
| PB4 | 4 | PB4 |
| PC1 | 5 | PC1 |
| PB5 | 6 | PB5 |
| PC2 | 7 | PC2 |
| TWI_SDA_PA1 | 8 | PA1 |
| PC3 | 9 | PC3 |
| TWI_SCL_PA2 | 10 | PA2 |

3.5 UPDI Programming Interface

Unified Program and Debug Interface (UPDI) is a Microchip proprietary interface for external programming and on-chip debugging of a device.

The 2x5 connector for the interface is a 1.27 mm pitch surface mount header.

Figure 3-6. UPDI Interface

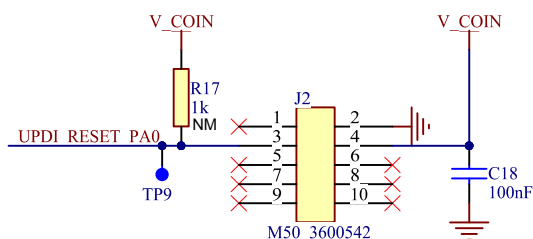


Table 3-8. Pin Map for ATtiny UPDI416 Interface

| Signal name | Header Pin | MCU Pin |
|----------------|------------|-----------------|
| GND | 2 | GND |
| UPDI_RESET_PA0 | 3 | PA0 |
| V_COIN | 4 | V _{CC} |

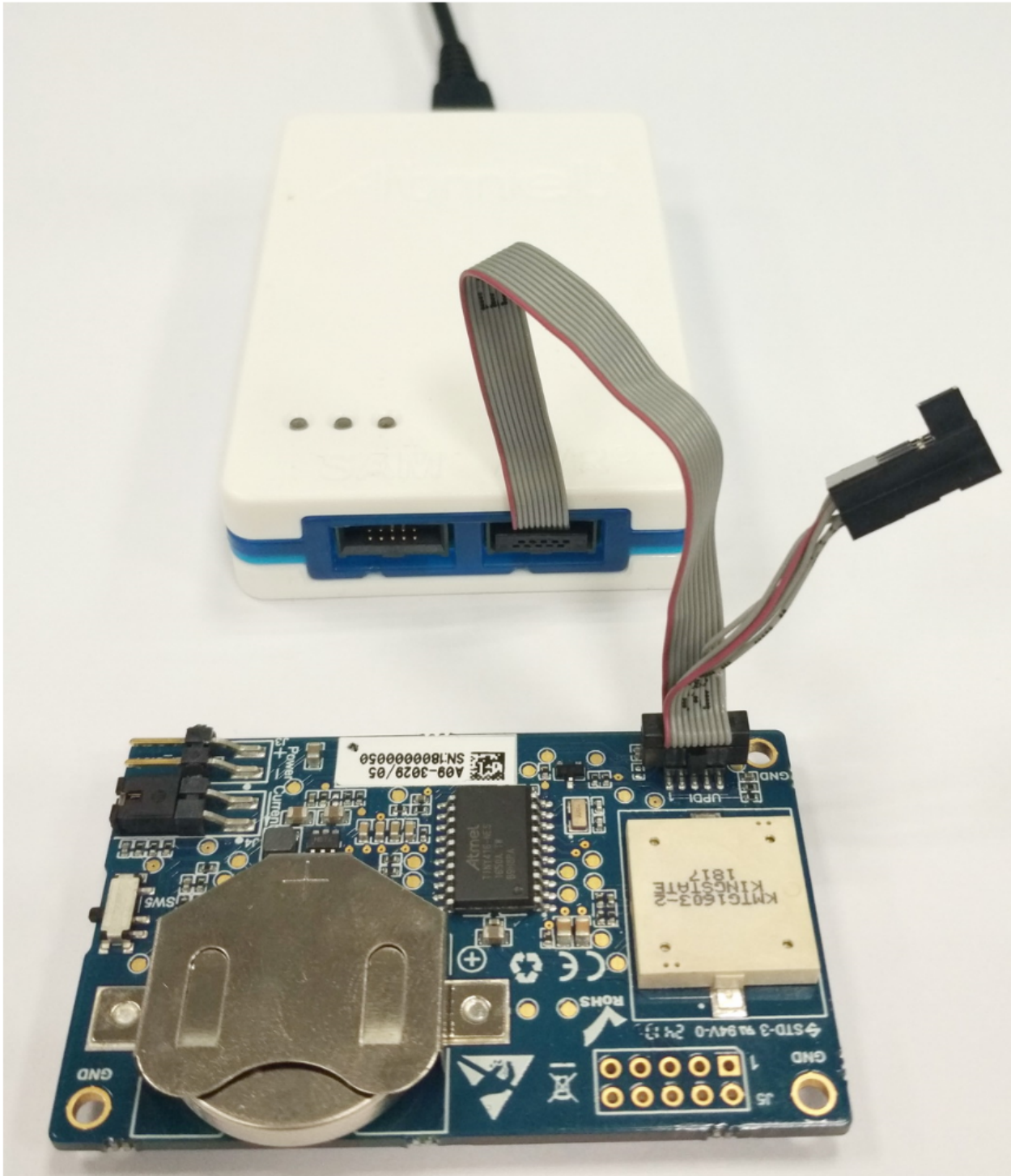
4. Firmware

4.1 ATtiny416 Default Firmware

The ATtiny416 device on the board comes preprogrammed with the Pillbox Alarm P4 firmware. The source code can be found in Atmel Start.

4.2 Firmware Programming

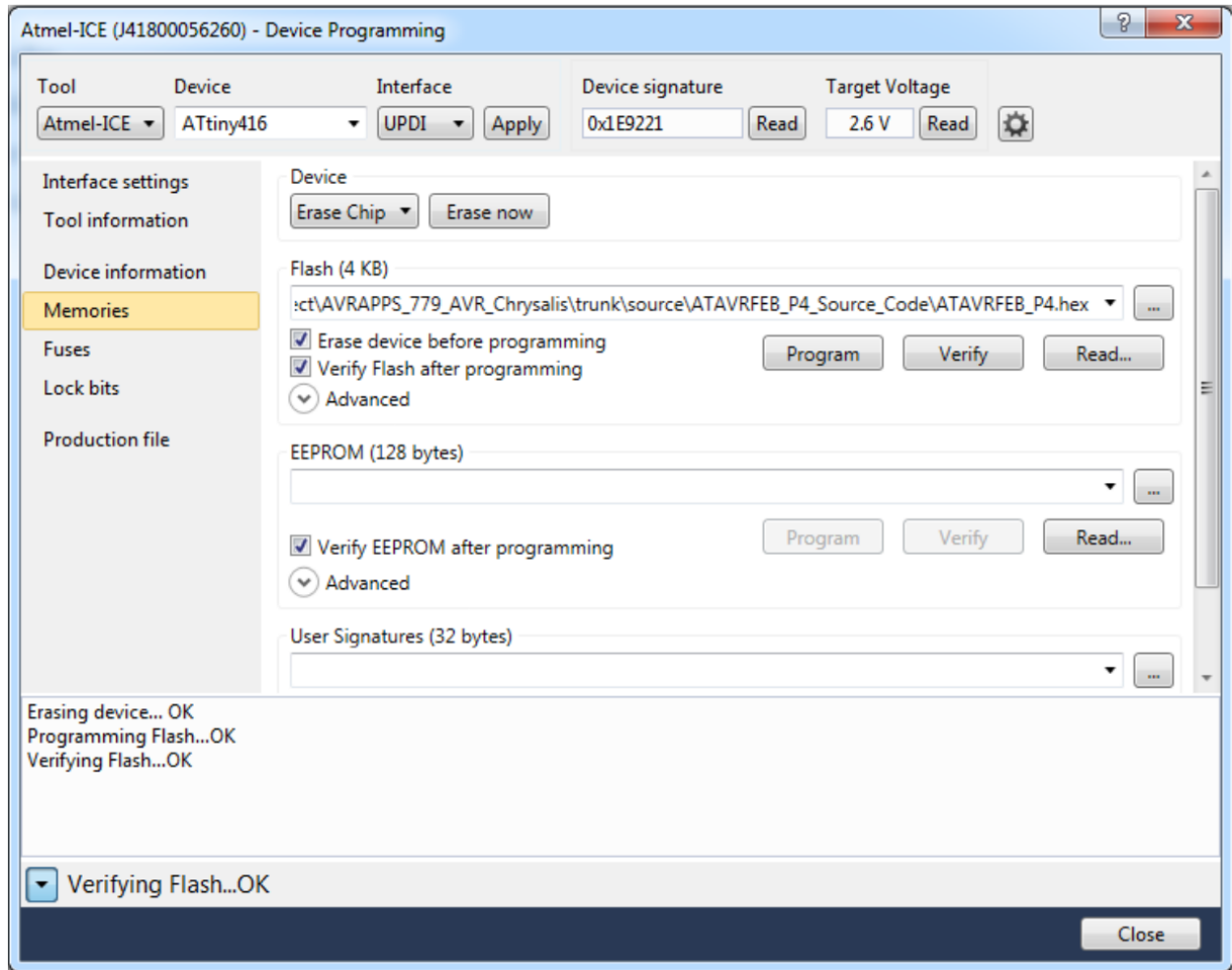
It is possible to reprogram the device using an Atmel-ICE or similar tool with UPDI support.

Figure 4-1. Connection of the Board and Programmer

Note: The AVR port of the Atmel-ICE must be used for programming and debugging the ATtiny416 device.

The programming interface of Atmel Studio is shown in the figure below:

Figure 4-2. Programming Interface in Atmel Studio



5. Revision History

| Doc. Rev. | Date | Comments |
|-----------|---------|--------------------------|
| A | 12/2017 | Initial document release |

The Microchip Web Site

Microchip provides online support via our web site at <http://www.microchip.com/>. This web site is used as a means to make files and information easily available to customers. Accessible by using your favorite Internet browser, the web site contains the following information:

- **Product Support** – Data sheets and errata, application notes and sample programs, design resources, user's guides and hardware support documents, latest software releases and archived software
- **General Technical Support** – Frequently Asked Questions (FAQ), technical support requests, online discussion groups, Microchip consultant program member listing
- **Business of Microchip** – Product selector and ordering guides, latest Microchip press releases, listing of seminars and events, listings of Microchip sales offices, distributors and factory representatives

Customer Change Notification Service

Microchip's customer notification service helps keep customers current on Microchip products. Subscribers will receive e-mail notification whenever there are changes, updates, revisions or errata related to a specified product family or development tool of interest.

To register, access the Microchip web site at <http://www.microchip.com/>. Under "Support", click on "Customer Change Notification" and follow the registration instructions.

Customer Support

Users of Microchip products can receive assistance through several channels:

- Distributor or Representative
- Local Sales Office
- Field Application Engineer (FAE)
- Technical Support

Customers should contact their distributor, representative or Field Application Engineer (FAE) for support. Local sales offices are also available to help customers. A listing of sales offices and locations is included in the back of this document.

Technical support is available through the web site at: <http://www.microchip.com/support>

Microchip Devices Code Protection Feature

Note the following details of the code protection feature on Microchip devices:

- Microchip products meet the specification contained in their particular Microchip Data Sheet.
- Microchip believes that its family of products is one of the most secure families of its kind on the market today, when used in the intended manner and under normal conditions.
- There are dishonest and possibly illegal methods used to breach the code protection feature. All of these methods, to our knowledge, require using the Microchip products in a manner outside the operating specifications contained in Microchip's Data Sheets. Most likely, the person doing so is engaged in theft of intellectual property.
- Microchip is willing to work with the customer who is concerned about the integrity of their code.

-
-
- Neither Microchip nor any other semiconductor manufacturer can guarantee the security of their code. Code protection does not mean that we are guaranteeing the product as “unbreakable.”

Code protection is constantly evolving. We at Microchip are committed to continuously improving the code protection features of our products. Attempts to break Microchip’s code protection feature may be a violation of the Digital Millennium Copyright Act. If such acts allow unauthorized access to your software or other copyrighted work, you may have a right to sue for relief under that Act.

Legal Notice

Information contained in this publication regarding device applications and the like is provided only for your convenience and may be superseded by updates. It is your responsibility to ensure that your application meets with your specifications. MICROCHIP MAKES NO REPRESENTATIONS OR WARRANTIES OF ANY KIND WHETHER EXPRESS OR IMPLIED, WRITTEN OR ORAL, STATUTORY OR OTHERWISE, RELATED TO THE INFORMATION, INCLUDING BUT NOT LIMITED TO ITS CONDITION, QUALITY, PERFORMANCE, MERCHANTABILITY OR FITNESS FOR PURPOSE. Microchip disclaims all liability arising from this information and its use. Use of Microchip devices in life support and/or safety applications is entirely at the buyer’s risk, and the buyer agrees to defend, indemnify and hold harmless Microchip from any and all damages, claims, suits, or expenses resulting from such use. No licenses are conveyed, implicitly or otherwise, under any Microchip intellectual property rights unless otherwise stated.

Trademarks

The Microchip name and logo, the Microchip logo, AnyRate, AVR, AVR logo, AVR Freaks, BeaconThings, BitCloud, CryptoMemory, CryptoRF, dsPIC, FlashFlex, flexPWR, Heldo, JukeBlox, KeeLoq, KeeLoq logo, Kleer, LANCheck, LINK MD, maXStylus, maXTouch, MediaLB, megaAVR, MOST, MOST logo, MPLAB, OptoLyzer, PIC, picoPower, PICSTART, PIC32 logo, Prochip Designer, QTouch, RightTouch, SAM-BA, SpyNIC, SST, SST Logo, SuperFlash, tinyAVR, UNI/O, and XMEGA are registered trademarks of Microchip Technology Incorporated in the U.S.A. and other countries.

ClockWorks, The Embedded Control Solutions Company, EtherSynch, Hyper Speed Control, HyperLight Load, IntelliMOS, mTouch, Precision Edge, and Quiet-Wire are registered trademarks of Microchip Technology Incorporated in the U.S.A.

Adjacent Key Suppression, AKS, Analog-for-the-Digital Age, Any Capacitor, AnyIn, AnyOut, BodyCom, chipKIT, chipKIT logo, CodeGuard, CryptoAuthentication, CryptoCompanion, CryptoController, dsPICDEM, dsPICDEM.net, Dynamic Average Matching, DAM, ECAN, EtherGREEN, In-Circuit Serial Programming, ICSP, Inter-Chip Connectivity, JitterBlocker, KleerNet, KleerNet logo, Mindi, MiWi, motorBench, MPASM, MPF, MPLAB Certified logo, MPLIB, MPLINK, MultiTRAK, NetDetach, Omniscient Code Generation, PICDEM, PICDEM.net, PICKit, PICtail, PureSilicon, QMatrix, RightTouch logo, REAL ICE, Ripple Blocker, SAM-ICE, Serial Quad I/O, SMART-I.S., SQI, SuperSwitcher, SuperSwitcher II, Total Endurance, TSHARC, USBCheck, VariSense, ViewSpan, WiperLock, Wireless DNA, and ZENA are trademarks of Microchip Technology Incorporated in the U.S.A. and other countries.

SQTP is a service mark of Microchip Technology Incorporated in the U.S.A.

Silicon Storage Technology is a registered trademark of Microchip Technology Inc. in other countries.

GestIC is a registered trademark of Microchip Technology Germany II GmbH & Co. KG, a subsidiary of Microchip Technology Inc., in other countries.

All other trademarks mentioned herein are property of their respective companies.

© 2017, Microchip Technology Incorporated, Printed in the U.S.A., All Rights Reserved.

ISBN: 978-1-5224-2446-8

AMBA, Arm, Arm7, Arm7TDMI, Arm9, Arm11, Artisan, big.LITTLE, Cordio, CoreLink, CoreSight, Cortex, DesignStart, DynamIQ, Jazelle, Keil, Mali, Mbed, Mbed Enabled, NEON, POP, RealView, SecurCore, Socrates, Thumb, TrustZone, ULINK, ULINK2, ULINK-ME, ULINK-PLUS, ULINKpro, μ Vision, Versatile are trademarks or registered trademarks of Arm Limited (or its subsidiaries) in the US and/or elsewhere.

Quality Management System Certified by DNV

ISO/TS 16949

Microchip received ISO/TS-16949:2009 certification for its worldwide headquarters, design and wafer fabrication facilities in Chandler and Tempe, Arizona; Gresham, Oregon and design centers in California and India. The Company's quality system processes and procedures are for its PIC[®] MCUs and dsPIC[®] DSCs, KEELOQ[®] code hopping devices, Serial EEPROMs, microperipherals, nonvolatile memory and analog products. In addition, Microchip's quality system for the design and manufacture of development systems is ISO 9001:2000 certified.

Worldwide Sales and Service

| AMERICAS | ASIA/PACIFIC | ASIA/PACIFIC | EUROPE |
|--|---|--|--|
| <p>Corporate Office 2355 West Chandler Blvd. Chandler, AZ 85224-6199 Tel: 480-792-7200 Fax: 480-792-7277 Technical Support: http://www.microchip.com/support Web Address: www.microchip.com</p> <p>Atlanta Duluth, GA Tel: 678-957-9614 Fax: 678-957-1455</p> <p>Austin, TX Tel: 512-257-3370</p> <p>Boston Westborough, MA Tel: 774-760-0087 Fax: 774-760-0088</p> <p>Chicago Itasca, IL Tel: 630-285-0071 Fax: 630-285-0075</p> <p>Dallas Addison, TX Tel: 972-818-7423 Fax: 972-818-2924</p> <p>Detroit Novi, MI Tel: 248-848-4000</p> <p>Houston, TX Tel: 281-894-5983</p> <p>Indianapolis Noblesville, IN Tel: 317-773-8323 Fax: 317-773-5453 Tel: 317-536-2380</p> <p>Los Angeles Mission Viejo, CA Tel: 949-462-9523 Fax: 949-462-9608 Tel: 951-273-7800</p> <p>Raleigh, NC Tel: 919-844-7510</p> <p>New York, NY Tel: 631-435-6000</p> <p>San Jose, CA Tel: 408-735-9110 Tel: 408-436-4270</p> <p>Canada - Toronto Tel: 905-695-1980 Fax: 905-695-2078</p> | <p>Australia - Sydney Tel: 61-2-9868-6733</p> <p>China - Beijing Tel: 86-10-8569-7000</p> <p>China - Chengdu Tel: 86-28-8665-5511</p> <p>China - Chongqing Tel: 86-23-8980-9588</p> <p>China - Dongguan Tel: 86-769-8702-9880</p> <p>China - Guangzhou Tel: 86-20-8755-8029</p> <p>China - Hangzhou Tel: 86-571-8792-8115</p> <p>China - Hong Kong SAR Tel: 852-2943-5100</p> <p>China - Nanjing Tel: 86-25-8473-2460</p> <p>China - Qingdao Tel: 86-532-8502-7355</p> <p>China - Shanghai Tel: 86-21-3326-8000</p> <p>China - Shenyang Tel: 86-24-2334-2829</p> <p>China - Shenzhen Tel: 86-755-8864-2200</p> <p>China - Suzhou Tel: 86-186-6233-1526</p> <p>China - Wuhan Tel: 86-27-5980-5300</p> <p>China - Xian Tel: 86-29-8833-7252</p> <p>China - Xiamen Tel: 86-592-2388138</p> <p>China - Zhuhai Tel: 86-756-3210040</p> | <p>India - Bangalore Tel: 91-80-3090-4444</p> <p>India - New Delhi Tel: 91-11-4160-8631</p> <p>India - Pune Tel: 91-20-4121-0141</p> <p>Japan - Osaka Tel: 81-6-6152-7160</p> <p>Japan - Tokyo Tel: 81-3-6880-3770</p> <p>Korea - Daegu Tel: 82-53-744-4301</p> <p>Korea - Seoul Tel: 82-2-554-7200</p> <p>Malaysia - Kuala Lumpur Tel: 60-3-7651-7906</p> <p>Malaysia - Penang Tel: 60-4-227-8870</p> <p>Philippines - Manila Tel: 63-2-634-9065</p> <p>Singapore Tel: 65-6334-8870</p> <p>Taiwan - Hsin Chu Tel: 886-3-577-8366</p> <p>Taiwan - Kaohsiung Tel: 886-7-213-7830</p> <p>Taiwan - Taipei Tel: 886-2-2508-8600</p> <p>Thailand - Bangkok Tel: 66-2-694-1351</p> <p>Vietnam - Ho Chi Minh Tel: 84-28-5448-2100</p> | <p>Austria - Wels Tel: 43-7242-2244-39 Fax: 43-7242-2244-393</p> <p>Denmark - Copenhagen Tel: 45-4450-2828 Fax: 45-4485-2829</p> <p>Finland - Espoo Tel: 358-9-4520-820</p> <p>France - Paris Tel: 33-1-69-53-63-20 Fax: 33-1-69-30-90-79</p> <p>Germany - Garching Tel: 49-8931-9700</p> <p>Germany - Haan Tel: 49-2129-3766400</p> <p>Germany - Heilbronn Tel: 49-7131-67-3636</p> <p>Germany - Karlsruhe Tel: 49-721-625370</p> <p>Germany - Munich Tel: 49-89-627-144-0 Fax: 49-89-627-144-44</p> <p>Germany - Rosenheim Tel: 49-8031-354-560</p> <p>Israel - Ra'anana Tel: 972-9-744-7705</p> <p>Italy - Milan Tel: 39-0331-742611 Fax: 39-0331-466781</p> <p>Italy - Padova Tel: 39-049-7625286</p> <p>Netherlands - Drunen Tel: 31-416-690399 Fax: 31-416-690340</p> <p>Norway - Trondheim Tel: 47-7289-7561</p> <p>Poland - Warsaw Tel: 48-22-3325737</p> <p>Romania - Bucharest Tel: 40-21-407-87-50</p> <p>Spain - Madrid Tel: 34-91-708-08-90 Fax: 34-91-708-08-91</p> <p>Sweden - Gothenberg Tel: 46-31-704-60-40</p> <p>Sweden - Stockholm Tel: 46-8-5090-4654</p> <p>UK - Wokingham Tel: 44-118-921-5800 Fax: 44-118-921-5820</p> |

X-ON Electronics

Largest Supplier of Electrical and Electronic Components

Click to view similar products for [Development Boards & Kits - AVR category](#):

Click to view products by [Microchip manufacturer](#):

Other Similar products are found below :

[3264](#) [ATAVRPARROT](#) [ATSAMR21B18MZ210PAT](#) [CS-EASE-03](#) [EV35F40A](#) [A100053](#) [1222](#) [MIKROE-2474](#) [1260](#) [KIT0018](#) [1405](#) [DEV-10914](#) [1500](#) [1639](#) [1657](#) [174](#) [193](#) [2000](#) [2010](#) [3208](#) [ATRCB256RFR2](#) [ATXMEGAA1U-XPRO](#) [2085](#) [ATSTK600-SC48](#) [2290](#) [2466](#) [2488](#) [DEV-11520](#) [2590](#) [296](#) [3000](#) [ATAVRBLE-IOT](#) [ATTINY416-XNANO](#) [DFR0010](#) [DFR0100](#) [DFR0164](#) [DFR0191](#) [DFR0221](#) [DFR0222](#) [DFR0225](#) [DFR0233](#) [DFR0282](#) [DFR0327](#) [DRI0027](#) [KIT0111](#) [K030007](#) [DFR0351](#) [DEV-13614](#) [KIT-14265](#) [3379](#)